

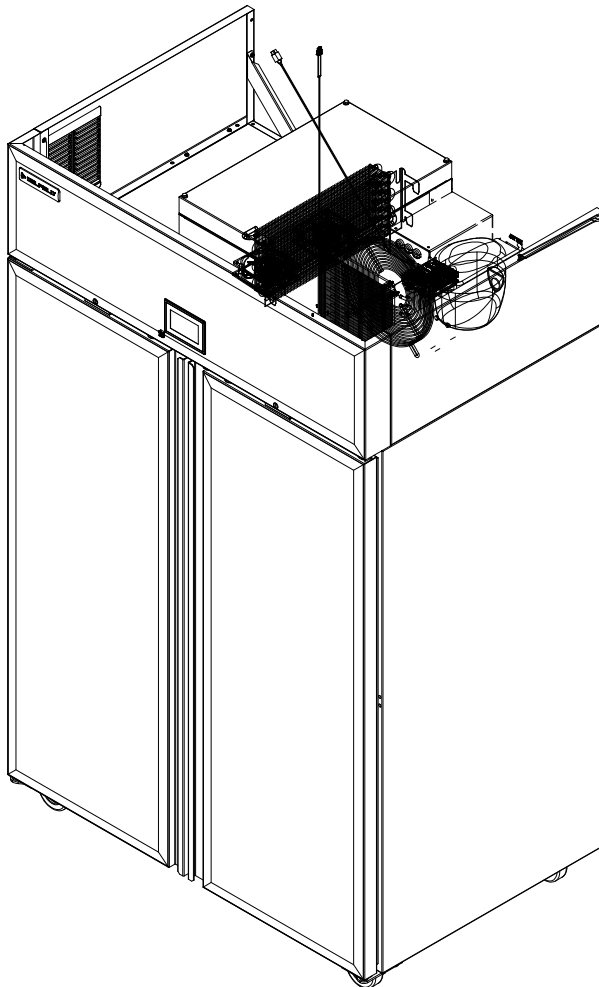
# Specification Line®

## GA Series

### Original Instructions

### Installation, Operation and Maintenance Manual

This manual is updated as new information and models are released. Visit our website for the latest manual.



## Safety Notices

### **Warning**

Read this manual thoroughly before operating, installing or performing maintenance on the equipment. Failure to follow instructions in this manual can cause property damage, injury or death.

### **DANGER**

Do not install or operate equipment that has been misused, abused, neglected, damaged, or altered/modified from that of original manufactured specifications.

### **DANGER**

Use appropriate safety equipment during installation and servicing.

### **DANGER**

All utility connections and fixtures must be maintained in accordance with Local and national codes.

### **Warning**

Do not damage the refrigeration circuit when installing, maintaining or servicing the unit.

### **Warning**

Authorized Service Representatives are obligated to follow industry standard safety procedures, including, but not limited to, local/national regulations for disconnection / lock out / tag out procedures for all utilities including electric, gas, water and steam.

### **Warning**

Do not store or use gasoline or other flammable vapors or liquids in the vicinity of this or any other appliance. Never use flammable oil soaked cloths or combustible cleaning solutions, for cleaning.

### **Warning**

This product contains chemicals known to the State of California to cause cancer and/or birth defects or other reproductive harm. Operation, installation, and servicing of this product could expose you to airborne particles of glasswool or ceramic fibers, crystalline silica, and/or carbon monoxide. Inhalation of airborne particles of glasswool or ceramic fibers is known to the State of California to cause cancer. Inhalation of carbon monoxide is known to the State of California to cause birth defects or other reproductive harm.

### **Warning**

Use caution when handling metal surface edges of all equipment.

### **Warning**

This appliance is not intended for use by persons (including children) with reduced physical, sensory or mental capabilities, or lack of experience and knowledge, unless they have been given supervision concerning use of the appliance by a person responsible for their safety. Do not allow children to play with this appliance.

### **Caution**

Use caution handling, moving and use of the "GreenGenius™" R290 refrigerators to avoid either damaging the refrigerant tubing or increasing the risk of a leak. Components shall be replaced with like components. Servicing shall be done by a factory authorized service personnel to minimize the risk of possible ignition due to incorrect parts or improper service.

### **Notice**

Proper installation, care and maintenance are essential for maximum performance and trouble-free operation of your equipment. Visit our website [www.wbtkitchenare.com](http://www.wbtkitchenare.com) for manual updates, translations, or contact information for service agents in your area.

### **Notice**

Warranty may be deemed invalid if other than authorized OEM (original equipment manufacture) replacement parts are used in Delfield equipment. This product utilizes Ecomate blowing agent methyl formate

### **Notice**

This product utilizes Ecomate blowing agent methyl formate

# Table of Contents

## Section 1

### General Information

Model Numbers .....	5
Serial Number Information .....	5
Warranty Information .....	5
Regulatory Certifications.....	5
Additional Certifications .....	5

## Section 2

### Installation

Location .....	6
Clearance Requirements .....	6
Drain Connections.....	6
Weight, Capacity & Dimensions of Equipment.....	7
Electrical Service .....	8
Ground Fault Circuit Interrupter .....	8
Electrical Specification Chart.....	8
Energy Use .....	9
Refrigeration Specs .....	10
Leg & Caster Installation .....	10
Level & Stable .....	11
Shelf Installation .....	11
Reversible Door Instructions .....	11
Applicable to Full Door Models.....	11
Roll-In & Roll-Thru Installation .....	12
New Hinge Cartridge Installation.....	13
Accessory Interior Drawer Installation.....	13
T-1 Tray Slide Installation .....	14
T-2 Tray Slide Installation .....	15
T-3 Tray Slide Installation .....	16
T-4 Rack Slide Installation.....	17
Optional Foot Pedal Installation Instructions.....	18
Electric Condensate Evaporator Mounting.....	19
Electric Condensate Wiring.....	22

## Section 3

### Operation

Refrigerator & Freezer Operation .....	23
Refrigerator & Freezer Start Up .....	23
Evaporator Fan Operation .....	24
Heated Cabinet Operation.....	24
Heated Cabinet Start Up .....	24
Fan Operation .....	24
High Temperature Safety Device.....	25
Power Down .....	25
Home Screen.....	25
TouchScreen Password .....	26

Configuration Screen.....	26
Settings Screen .....	27
Units .....	27
Defrost Type (Refrigerator & Freezer).....	27
Set Box Temperature.....	28
Alarm Management .....	29
Network Connection .....	29
Interior Light .....	30
Time / Date.....	30
Language .....	31
LCD Brightness .....	31
Manual Defrost.....	31
Web Application .....	31
KitchenConnect.....	31
Mobile Application .....	32
Specification Line Connect .....	32
Application Operation.....	32
Equipment Management .....	32

## Section 4

### Maintenance

Responsibility .....	34
Interior Cleaning .....	35
Gaskets.....	35
Preventing Blower Coil Corrosion .....	35
Exterior Cleaning.....	35
Drain.....	35
Doors/Hinges .....	35
Cleaning the Condenser Coil.....	35

THIS PAGE INTENTIONALLY LEFT BLANK

# Section 1

## General Information

### Model Numbers

This manual covers the following models:

One Door Section	Two Door Section	Three Door Section
<b>Reach-In Dual Temperature</b>		
GADBR1P-SH GADTR1P-SH	GADFL2P-S GADRL2P-S	-
<b>Reach-In Freezer</b>		
GAF1P-S(H)	GAF2P-S(H)	GAF3P-S(H)
<b>Pass-Thru Freezer</b>		
GAFPT1P-S(H)	GAFPT2P-S(H)	-
<b>Roll-In Freezer</b>		
GAFRI1P-S	GAFRI2P-S	-
<b>Reach-In Heated</b>		
GAH1-G(H)	GAH2-G(H)	-
GAH1-S(H)	GAH2-S(H)	-
<b>Pass-Thru Heated</b>		
GAHPT1-G(H)	GAHPT2-G(H)	-
GAHPT1-S(H)	GAHPT2-S(H)	-
<b>Roll-In Heated</b>		
GAHRI1-G	GAHRI2-G	-
GAHRI1-S	GAHRI2-S	-
<b>Roll-Thru Heated</b>		
GAHRT1-S	GAHRT2-S	-
<b>Narrow Reach-In Refrigerator</b>		
GAR1NP-G(H)	GAR2NP-G(H)	-
GAR1NP-S(H)	GAR2NP-S(H)	-
<b>Reach-In Refrigerator</b>		
GAR1P-G(H)	GAR2P-G(H)	GAR3P-G(H)
-	GAR2P-GL	-
GAR1P-S(H)	GAR2P-S(H)	GAR3P-S(H)
<b>Reach-In Fishfile</b>		
GARFF1P-D	-	-
<b>Pass-Thru Refrigerator</b>		
GARPT1P-G(H)	GARPT2P-G(H)	-
GARPT1P-S(H)	GARPT2P-S(H)	-
<b>Roll-In Refrigerator</b>		
GARRI1P-G	GARRI2P-G	-
GARRI1P-S	GARRI2P-S	-
<b>Roll-Thru Refrigerator</b>		
GARRT1P-S	GARRT2P-S	-

### Serial Number Information

The model number and serial number are on the identification plate. The identification plate is located near the top front corner of the left interior wall.

**Always have the serial number of your unit available when calling for parts or service.**

### Warranty Information




Visit

<http://www.delfield.com/warranty> to:

- Register your product for warranty.
- Verify warranty information.
- View and download a copy of your warranty.

### Regulatory Certifications

Models are certified by:

-  National Sanitation Foundation (NSF)
-  Underwriters Laboratories (UL)
-  Underwriters Laboratories of Canada (cUL)

### Additional Certifications

Models are certified by:

-  Enerlogic®

## Section 2 Installation

### **⚠ DANGER**

Installation must comply with all applicable fire and health codes in your jurisdiction.

### **⚠ DANGER**

Use appropriate safety equipment during installation and servicing.

### Location

#### **⚠ Warning**

This equipment must be positioned so that the plug is accessible unless other means for disconnection from the power supply (e.g., circuit breaker or disconnect switch) is provided.

#### **⚠ Warning**

Adequate means must be provided to limit the movement of this appliance without depending on or transmitting stress to the electrical cord.

#### **⚠ Warning**

To avoid instability the installation area must be capable of supporting the combined weight of the equipment and product. Additionally the equipment must be level side to side and front to back.

#### **⚠ Warning**

This equipment is intended for indoor use only. Do not install or operate this equipment in outdoor areas.

The location selected for the equipment must meet the following criteria. If any of these criteria are not met, select another location.

- Units are intended for indoor use only.
- The location **MUST** be level, stable and capable of supporting the weight of the equipment.
- The location **MUST** be free from and clear of combustible materials.
- Equipment **MUST** be level both front to back and side to side.
- Position the equipment so it will not tip or slide.
- Front casters **MUST** be locked once positioned.

- Recommended air temperature is 60° - 100°F (16° - 38°C).
- Proper air supply for ventilation is **REQUIRED AND CRITICAL** for safe and efficient operation. Refer to Clearance Requirements chart on page 8.
- Do not obstruct the flow of ventilation air. Make sure the air vents of the equipment are not blocked.
- Do not install the equipment where air vents are blowing directly at it.
- Do not install the equipment directly over a drain. Steam rising up out of the drain will adversely affect operation, air circulation, and damage electrical / electronic components.

### Clearance Requirements

#### **⚠ DANGER**

Minimum clearance requirements are the same for noncombustible locations as for combustible locations. The flooring under the appliance must be made of a noncombustible material.

#### **⚠ DANGER**

Risk of fire/shock. All minimum clearances must be maintained. Do not obstruct vents or openings.

#### **Top**

12.00" (305mm)

- Keep the vents clean and free of obstruction.
- Casters or optional legs must be used and not removed.

### Drain Connections

#### **⚠ Warning**

Moisture collecting from improper drainage can create a slippery surface on the floor and a hazard to employees. It is the owner's responsibility to provide a container or outlet for drainage.

Either a drain line connection must be installed or an electric evaporator pan (see page 19)

## Weight, Capacity & Dimensions of Equipment

Model	Weight	Shelf Qty	Shelf Area	Volume	Length	Depth	Height
<b>Reach-In Dual Temperature</b>							
GADBR1P-SH GADTR1P-SH	398lbs (181kg)	(2X)2	(2X)8ft <sup>2</sup> (7432cm <sup>2</sup> )	(2X)8.6ft <sup>3</sup> (244L)	27.40" (70cm)	32.44" (82cm)	79.50" (202cm)
GADFL2P-S GADRL2P-S	575lbs (261kg)	6	25.25ft <sup>2</sup> (23458cm <sup>2</sup> )	42ft <sup>3</sup> (1189L)	55.22" (140cm)	32.44" (82cm)	79.50" (202cm)
<b>Reach-In Freezer</b>							
GAF1P-S(H)	354lbs (161kg)	3	11.5ft <sup>2</sup> (10684cm <sup>2</sup> )	21ft <sup>3</sup> (595L)	27.40" (70cm)	32.44" (82cm)	79.50" (202cm)
GAF2P-S(H)	495lbs (225kg)	6	25.25ft <sup>2</sup> (23458cm <sup>2</sup> )	46ft <sup>3</sup> (1303L)	55.22" (140cm)		
GAF3P-S(H)	772lbs (350kg)	9	39ft <sup>2</sup> (36232cm <sup>2</sup> )	71ft <sup>3</sup> (2011L)	83.00" (211cm)		
<b>Pass-Thru Freezer</b>							
GAFPT1P-S(H)	452lbs (205kg)	3	12.12ft <sup>2</sup> (11260cm <sup>2</sup> )	23ft <sup>3</sup> (651L)	27.40" (70cm)	34.75" (88cm)	79.50" (202cm)
GAFPT2P-S(H)	682lbs (309kg)	6	26.5ft <sup>2</sup> (24619cm <sup>2</sup> )	50ft <sup>3</sup> (1416L)	55.22" (140cm)		
<b>Roll-In Freezer</b>							
GAFRI1P-S	466lbs (211kg)	NA	NA	37ft <sup>3</sup> (1048L)	34.00" (86cm)	34.00" (86cm)	89.00" (226cm)
GAFRI2P-S	690lbs (313kg)	NA	NA	76.5ft <sup>3</sup> (2166L)	66.00" (168cm)		
<b>Reach-In Heated</b>							
GAH1-G(H)	361lbs (164kg)	3	11.5ft <sup>2</sup> (10684cm <sup>2</sup> )	21ft <sup>3</sup> (595L)	27.40" (70cm)	32.44" (82cm)	79.50" (202cm)
GAH1-S(H)	333lbs (151kg)						
GAH2-G(H)	640lbs (290kg)	6	25.5ft <sup>2</sup> (23690cm <sup>2</sup> )	46ft <sup>3</sup> (1303L)	55.22" (140cm)		
GAH2-S(H)	630lbs (286kg)						
<b>Pass-Thru Heated</b>							
GAHPT1-G(H)	361lbs (164kg)	3	11.5ft <sup>2</sup> (10684cm <sup>2</sup> )	23ft <sup>3</sup> (651L)	27.40" (70cm)	34.75" (88cm)	79.50" (202cm)
GAHPT1-S(H)	333lbs (151kg)						
GAHPT2-G(H)	640lbs (290kg)	6	25.5ft <sup>2</sup> (23690cm <sup>2</sup> )	50ft <sup>3</sup> (1416L)	55.22" (140cm)		
GAHPT2-S(H)	630lbs (286kg)						
<b>Roll-In Heated</b>							
GAHRI1-G	486lbs (220kg)	NA	NA	37ft <sup>3</sup> (1048L)	34.00" (86cm)	34.00" (86cm)	89.00" (226cm)
GAHRI1-S	446lbs (202kg)						
GAHRI2-G	745lbs (338kg)	NA	NA	76.5ft <sup>3</sup> (2166L)	66.00" (168cm)		
GAHRI2-S	715lbs (324kg)						
<b>Roll-Thru Heated</b>							
GAHRT1-S	465lbs (211kg)	NA	NA	39ft <sup>3</sup> (1104L)	34.00" (86cm)	36.12" (92cm)	89.00" (226cm)
GAHRT2-S	683lbs (310kg)	NA	NA	80.5ft <sup>3</sup> (2280L)	66.00" (168cm)		
<b>Narrow Reach-In Refrigerator</b>							
GAR1NP-G(H)	391lbs (177kg)	3	9.75ft <sup>2</sup> (9058cm <sup>2</sup> )	18ft <sup>3</sup> (510L)	24.00" (61cm)	32.44" (82cm)	79.50" (202cm)
GAR1NP-S(H)	361lbs (164kg)						
GAR2NP-G(H)	652lbs (296kg)	6	21.75ft <sup>2</sup> (20206cm <sup>2</sup> )	40ft <sup>3</sup> (1133L)	48.42" (123cm)		
GAR2NP-S(H)	632lbs (287kg)						
<b>Reach-In Refrigerator</b>							
GAR1P-G(H)	351lbs (159kg)	3	11.5ft <sup>2</sup> (10684cm <sup>2</sup> )	21ft <sup>3</sup> (595L)	27.40" (70cm)	32.44" (82cm)	79.50" (202cm)
GAR1P-S(H)	236lbs (107kg)						
GAR2P-G(H)	495lbs (225kg)	6	25.25ft <sup>2</sup> (23458cm <sup>2</sup> )	46ft <sup>3</sup> (1303L)	55.22" (140cm)		
GAR2P-GL	490lbs (222kg)						
GAR2P-S(H)	322lbs (146kg)	9	39ft <sup>2</sup> (36232cm <sup>2</sup> )	71ft <sup>3</sup> (2011L)	83.00" (211cm)		
GAR3P-G(H)	767lbs (348kg)						
GAR3P-S(H)	485lbs (220kg)						
<b>Reach-In Fishfile</b>							
GARFF1P-D	675lbs (306kg)	NA	NA	21ft <sup>3</sup> (595L)	27.40" (70cm)	32.44" (82cm)	79.50" (202cm)
<b>Pass-Thru Refrigerator</b>							
GARPT1P-G(H)	472lbs (214kg)	3	12.12ft <sup>2</sup> (11260cm <sup>2</sup> )	23ft <sup>3</sup> (651L)	27.40" (70cm)	34.75" (88cm)	79.50" (202cm)
GARPT1P-S(H)	448lbs (203kg)						
GARPT2P-G(H)	680lbs (308kg)	6	26.5ft <sup>2</sup> (24619cm <sup>2</sup> )	50ft <sup>3</sup> (1416L)	55.22" (140cm)		
GARPT2P-S(H)	652lbs (296kg)						
<b>Roll-In Refrigerator</b>							
GARRI1P-G	486lbs (220kg)	NA	NA	37ft <sup>3</sup> (1048L)	34.00" (86cm)	34.00" (86cm)	89.00" (226cm)
GARRI1P-S	446lbs (202kg)						
GARRI2P-G	745lbs (338kg)	NA	NA	76.5ft <sup>3</sup> (2166L)	66.00" (168cm)		
GARRI2P-S	715lbs (324kg)						
<b>Roll-Thru Refrigerator</b>							
GARRT1P-S	486lbs (220kg)	NA	NA	39ft <sup>3</sup> (1104L)	34.00" (86cm)	36.12" (92cm)	89.00" (226cm)
GARRT2P-S	683lbs (310kg)	NA	NA	80.5ft <sup>3</sup> (2280L)	66.00" (168cm)		

**Electrical Service**

**⚠ DANGER**

Check all wiring connections, including factory terminals, before operation. Connections can become loose during shipment and installation.

**⚠ Warning**

This appliance must be grounded and all field wiring must conform to all applicable local and national codes. Refer to rating plate for proper voltage. It is the responsibility of the end user to provide the disconnect means to satisfy the authority having jurisdiction.

- Plug units with “GreenGenius™” R290 refrigerant into a receptacle that is a minimum of 14” (36cm) above the floor.
- All electrical work, including wire routing and grounding, must conform to local, state and national electrical codes.
- The equipment must be grounded.
- A separate fuse/circuit breaker must be provided for each unit.
- The maximum allowable voltage variation is ±10% of the rated voltage at equipment start-up (when the electrical load is highest).
- Check all green ground screws, cables and wire connections to verify they are tight before start-up.

**GROUND FAULT CIRCUIT INTERRUPTER**

Ground Fault Circuit Interrupter (GFCI/GFI) protection is a system that shuts down the electric circuit (opens it) when it senses an unexpected loss of power, presumably to ground. Welbilt does not recommend the use of GFCI/GFI circuit protection to energize our equipment. If code requires the use of a GFCI/GFI then you must follow the local code. The circuit must be dedicated, sized properly and there must be a panel GFCI/GFI breaker. We do not recommend the use of GFCI/GFI outlets to energize our equipment as they are known for more intermittent nuisance trips than panel breakers.

**ELECTRICAL SPECIFICATION CHART**

Maximum 10ft (3m) cord with plug.

Model	Amps	V, Hz, Ph	H.P.	Nema Plug
<b>Reach-In Dual Temperature</b>				
GADBR1P-SH GADTR1P-SH	6.7	115, 60, 1	Ref. 0.20 Frzr. 0.315	5-15P
GADFL2P-S GADRL2P-S	11.4	115, 60, 1	Ref. 0.22 Frzr. 0.55	5-15P
<b>Reach-In Freezer</b>				
GAF1P-S(H)	7.2	115, 60, 1	0.55	5-15P
GAF2P-S(H)	10.0	115, 60, 1	0.68	5-15P
GAF3P-S(H)	14.7	115, 60, 1	(2X)0.55	5-20P
<b>Pass-Thru Freezer</b>				
GAFPT1P-S(H)	10.0	115, 60, 1	0.55	5-15P
GAFPT2P-S(H)	14.6	115, 60, 1	(2X)0.55	5-20P
<b>Roll-In Freezer</b>				
GAFRI1P-S	10.0	115, 60, 1	0.68	5-15P
GAFRI2P-S	14.6	115, 60, 1	(2X)0.55	5-20P
<b>Reach-In Heated</b>				
GAH1-G(H)	6.0	208-240, 60, 1	NA	6-20P
GAH1-S(H)	6.0			
GAH2-G(H)	10.5	208-240, 60, 1	NA	6-20P
GAH2-S(H)	10.5			
<b>Pass-Thru Heated</b>				
GAHPT1-G(H)	6.0	208-240, 60, 1	NA	6-20P
GAHPT1-S(H)	6.0			
GAHPT2-G(H)	10.5	208-240, 60, 1	NA	6-20P
GAHPT2-S(H)	10.5			
<b>Roll-In Heated</b>				
GAHRI1-G	6.0	208-240, 60, 1	NA	6-20P
GAHRI1-S	6.0			
GAHRI2-G	10.5	208-240, 60, 1	NA	6-20P
GAHRI2-S	10.5			
<b>Roll-Thru Heated</b>				
GAHRT1-S	6.0	208-240, 60, 1	NA	6-20P
GAHRT2-S	10.5	208-240, 60, 1	NA	6-20P
<b>Narrow Reach-In Refrigerator</b>				
GAR1NP-G(H)	4.5	115, 60, 1	0.22	5-15P
GAR1NP-S(H)	4.5			
GAR2NP-G(H)	6.2	115, 60, 1	0.35	5-15P
GAR2NP-S(H)	6.2			
<b>Reach-In Refrigerator</b>				
GAR1P-G(H)	4.2	115, 60, 1	0.22	5-15P
GAR1P-S(H)	4.2			
GAR2P-G(H)	6.0	115, 60, 1	0.35	5-15P
GAR2P-GL	6.0			
GAR2P-S(H)	6.0			
GAR3P-G(H)	6.5	115, 60, 1	0.38	5-15P
GAR3P-S(H)	6.5			
<b>Reach-In Fishfile</b>				
GARFF1P-D	4.2	115, 60, 1	0.22	5-15P
<b>Pass-Thru Refrigerator</b>				
GARPT1P-G(H)	4.5	115, 60, 1	0.22	5-15P
GARPT1P-S(H)	4.5			
GARPT2P-G(H)	6.2	115, 60, 1	0.35	5-15P
GARPT2P-S(H)	6.2			

Model	Amps	V, Hz, Ph	H.P.	Nema Plug
<b>Roll-In Refrigerator</b>				
GARRI1P-G	4.5	115, 60, 1	0.35	5-15P
GARRI1P-S	4.5			
GARRI2P-G	6.4	115, 60, 1	0.38	5-15P
GARRI2P-S	6.4			
<b>Roll-Thru Refrigerator</b>				
GARRT1P-S	4.5	115, 60, 1	0.35	5-15P
GARRT2P-S	6.4	115, 60, 1	0.38	5-15P

**ENERGY USE**

Model	Energy Use in kWh	Energy Star® Certified
<b>Reach-In Dual Temperature</b>		
GADBR1P-SH GADTR1P-SH	4.2576	
GADFL2P-S GADRL2P-S	4.87025	
<b>Reach-In Freezer</b>		
GAF1P-S	5.863	
GAF1P-SH	5.59	✓
GAF2P-S	10.65	
GAF2P-SH	9.69	✓
GAF3P-S	10.50	✓
GAF3P-SH	12.20	✓
<b>Pass-Thru Freezer</b>		
GAFPT1P-S	5.1112	
GAFPT1P-SH	5.2623	
GAFPT2P-S	9.337	✓
GAFPT2P-SH	11.3327	✓
<b>Roll-In Freezer</b>		
GAFRI1P-S	7.6144	✓
GAFRI2P-S	14.3393	✓
<b>Reach-In Heated</b>		
GAH1-G	159.3144	✓
GAH1-GH	183.6433	✓
GAH1-S	141.1322	✓
GAH1-SH	145.0789	✓
GAH2-G	302.5585	✓
GAH2-GH	299.055	✓
GAH2-S	245.5875	✓
GAH2-SH	233.8808	✓
<b>Pass-Thru Heated</b>		
GAHPT1-G	228.636	✓
GAHPT1-GH	234.906	✓
GAHPT1-S	171.9222	✓
GAHPT1-SH	192.0701	✓
GAHPT2-G	421.2567	
GAHPT2-GH	408.354	
GAHPT2-S	290.2969	✓
GAHPT2-SH	300.2424	✓
<b>Roll-In Heated</b>		
GAHRI1-G	308.6124	✓
GAHRI1-S	241.5638	✓
GAHRI2-G	560.6883	
GAHRI2-S	427.798	✓

Model	Energy Use in kWh	Energy Star® Certified
<b>Roll-Thru Heated</b>		
GAHRT1-S	295.3889	✓
GAHRT2-S	504.6286	✓
<b>Narrow Reach-In Refrigerator</b>		
GAR1NP-G	1.9248	✓
GAR1NP-GH	1.9848	✓
GAR1NP-S	1.8296	
GAR1NP-SH	1.7665	
GAR2NP-G	2.5934	✓
GAR2NP-GH	2.3738	✓
GAR2NP-S	2.1157	✓
GAR2NP-SH	2.0552	✓
<b>Reach-In Refrigerator</b>		
GAR1P-G	2.08	✓
GAR1P-GH	1.66	✓
GAR1P-S	1.85	✓
GAR1P-SH	1.70	✓
GAR2P-G	3.18	✓
GAR2P-GH	2.91	✓
GAR2P-GL	3.18	
GAR2P-S	2.71	✓
GAR2P-SH	2.49	✓
GAR3P-G	4.92	✓
GAR3P-GH	4.55	✓
GAR3P-S	3.59	✓
GAR3P-SH	3.54	✓
<b>Reach-In Fishfile</b>		
GARFF1P-D		
<b>Pass-Thru Refrigerator</b>		
GARPT1P-G	2.4461	
GARPT1P-GH	2.4620	
GARPT1P-S	1.7873	✓
GARPT1P-SH	1.9876	
GARPT2P-G	3.6743	✓
GARPT2P-GH	3.5395	✓
GARPT2P-S	2.3019	✓
GARPT2P-SH	2.4898	✓
<b>Roll-In Refrigerator</b>		
GARRI1P-G	2.7366	✓
GARRI1P-S	2.2998	✓
GARRI2P-G	5.1789	✓
GARRI2P-S	5.1258	
<b>Roll-Thru Refrigerator</b>		
GARRT1P-S	2.4859	✓
GARRT2P-S	4.6395	

**Refrigeration**

Model	Heat of Rejection (BTU)	BTU/Hour Capacity	R290 Charge
<b>Reach-In Dual Temperature</b>			
GADBR1P-SH	Ref. 232	Ref. 1431	Ref. 78g
GADTR1P-SH	Frzr. 401	Frzr. 1094	Frzr. 62g
GADFL2P-S	Ref. 420	Ref. 1920	Ref. 113g
GADRL2P-S	Frzr. 790	Frzr. 2035	Frzr. 93g
<b>Reach-In Freezer</b>			
GAF1P-S(H)	790	2035	93g
GAF2P-S(H)	1380	2485	109g
GAF3P-S(H)	1800	4070	(2X)110g
<b>Pass-Thru Freezer</b>			
GAFTP1P-S(H)	930	2035	93g
GAFTP2P-S(H)	1630	4070	(2X)110g
<b>Roll-In Freezer</b>			
GAFRI1P-S	1401	2261	109g
GAFRI2P-S	2458	4523	(2X)110g
<b>Narrow Reach-In Refrigerator</b>			
GAR1NP-G(H)	540	1860	113g
GAR1NP-S(H)	390	1860	113g
GAR2NP-G(H)	890	2470	113g
GAR2NP-S(H)	590	2470	113g
<b>Reach-In Refrigerator</b>			
GAR1P-G(H)	570	1920	113g
GAR1P-S(H)	420	1920	113g
GAR2P-G(H)	930	2540	113g
GAR2P-GL	1606	3370	113g
GAR2P-S(H)	620	2540	113g
GAR3P-G(H)	1400	3865	118g
GAR3P-S(H)	940	3865	118g
<b>Reach-In Fishfile</b>			
GARFF1P-D	570	1920	113g
<b>Pass-Thru Refrigerator</b>			
GARPT1P-G(H)	690	1860	113g
GARPT1P-S(H)	460	1860	113g
GARPT2P-G(H)	1260	3760	113g
GARPT2P-S(H)	800	3760	113g
<b>Roll-In Refrigerator</b>			
GARRI1P-G	800	2470	113g
GARRI1P-S	680	2470	113g
GARRI2P-G	1460	3760	118g
GARRI2P-S	1230	3760	118g
<b>Roll-Thru Refrigerator</b>			
GARRT1P-S	830	2470	113g
GARRT2P-S	1530	3760	118g

**Leg & Caster Installation**

**⚠ Warning**

The unit must be installed in a stable condition with the front wheels locked. Locking the front casters after installation is the owner’s and operator’s responsibility.

**⚠ Warning**

Use a jack to lift the refrigeration unit off the ground just far enough to remove the leg/caster. Place blocking underneath the unit. Do not work underneath a raised unit without proper blocking. Do not lift the unit more than necessary to remove the leg/caster. Lifting the unit too far can make the unit unstable.

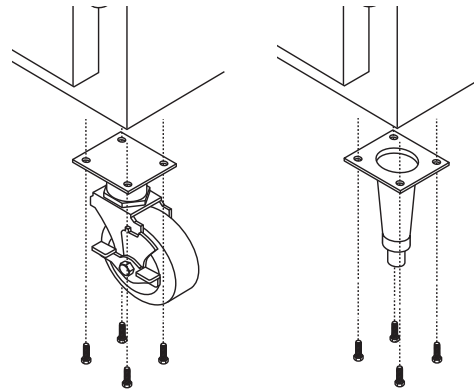
**⚠ Caution**

All single-section units require that the swivel casters be mounted on the front and rigid casters be mounted on the rear.

**To install the legs or casters:**

1. Remove unit from skid.
 

NOTE: The bolts used to hold the unit to the skid should be re-used as the fourth hex head bolt for each caster or leg plate installation. The bolt should not measure over 2” (5cm) in length.
2. Raise unit to access leg/caster mounting holes on bottom of unit.
3. Attach the legs or casters to bottom of cabinet using hex head bolts.



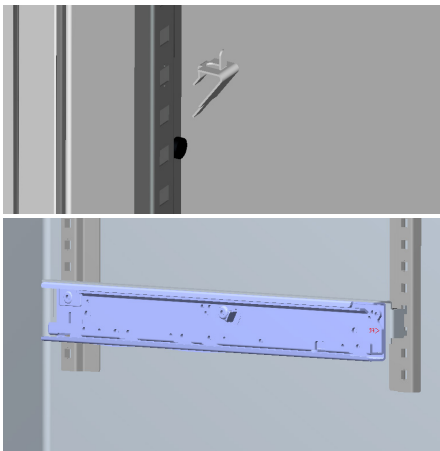
## Level & Stable

After the cabinet has been placed in the desired location, cabinets must be leveled. Level units from front to back and from side to side. Leveling will insure proper door operation and removal of condensate.

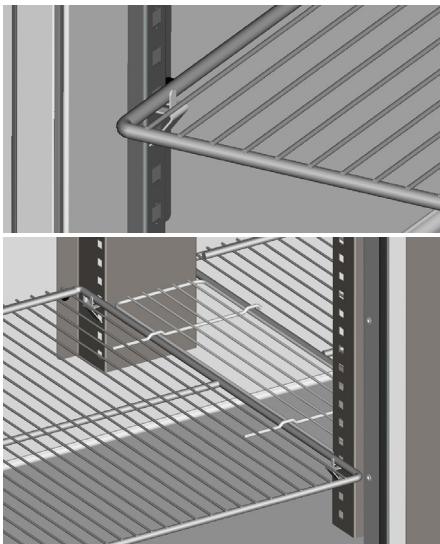
- It is very important that all legs are properly adjusted to keep the cabinet level, evenly distribute the weight and to make sure the unit will not rock, lean or be unstable.
- Cabinets with casters must have the caster brake set so the cabinet cannot move. Shim casters if necessary to level unit.
- Roll-In and roll-thru units must also be level. Shim the bottom of the unit if necessary. See Roll-In & Roll-Thru Installation on page 12.
- Adjust doors and hinges until doors close properly.

## Shelf Installation

1. Insert the clips into the pilaster holes at the desired shelf heights.



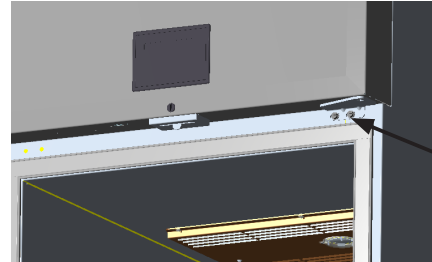
2. Set the shelves on the clips.



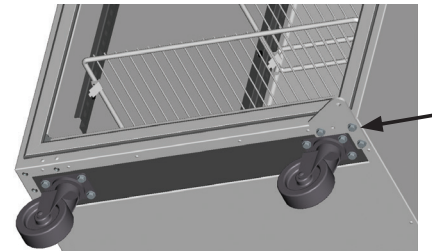
## Reversible Door Instructions

### APPLICABLE TO FULL DOOR MODELS

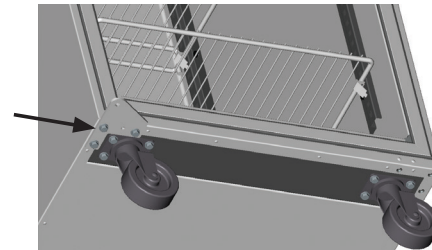
1. Open the door.
2. Remove two bolts securing the hinge bracket above the door.



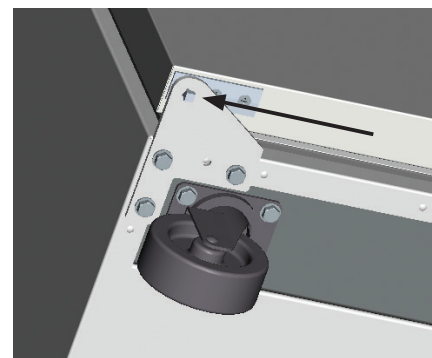
3. Lift the door up and out.
4. Save the hinge bracket.
5. Remove three bolts securing the hinge bracket to the bottom of the unit.



6. Flip it over and install it on the opposite side.



7. Rotate the door 180°.
8. Move the white nylon washer from the top hinge pin to the bottom hinge pin.
9. Insert the bottom hinge pin into the hinge bracket.



10. Locate the provided alternate top hinge bracket.
11. Place the hinge bracket over the top hinge pin.
12. Open the door.
13. Using the original screws install the hinge bracket on the new side in the vacant lock holes.

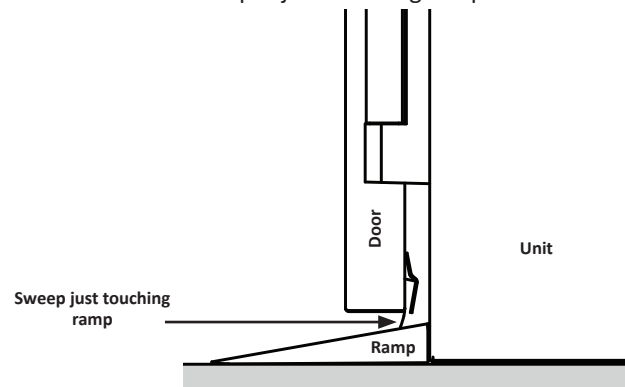


14. Check for proper closure and gasket seal.
15. Adjust hinges as needed.

### Roll-In & Roll-Thru Installation

NOTE: Local area codes may dictate other installation requirements not mentioned.

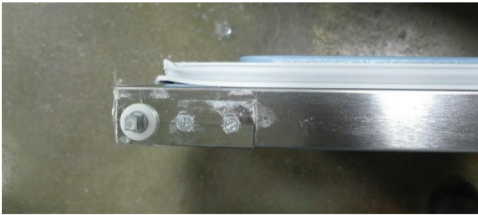
1. Verify unit is level with 4' Level. Shim as needed. Depending on the height of the shims, stainless trim may be needed to fill in a large gap between the unit and the floor.
2. Remove door sweep before making door adjustments.
3. Adjust doors hinges so door closes by itself.
  - A properly adjusted door will close and seal when the door is held open 3" or less with no assistance.
4. Reinstall door sweep. It may need to be reinstalled in new holes so that it does not interfere with the door closing.
  - If it is too tight to ramp it will hold door open.
  - Make sure sweep is just touching ramp when closed.



5. Verify once again that the door will close and seal when held open 3" or less.
6. If this is a multi-section unit make sure door stays shut or closes by itself when other doors are shut.
7. Using silicone, seal the ramp to the floor; seal the unit to the floor and walls. The silicone will make sure that no water can get under the unit or ramps. If shims and stainless trim are added they also need to be sealed to the unit and the floor.

## New Hinge Cartridge Installation

- Full doors have a cartridge hinge on both the bottom and top of the door.
  - Half doors only have one cartridge hinge, the bottom hinge of the bottom half door and the top hinge of the top half door.
1. Install the new cartridge into the door as received. The new cartridge will be in the CLOSED position.



2. As you unload the hinge tension be careful to hold on tight because you should feel the strong spring tension as you rotate the hinge. Place the hinge bracket on the square hinge pin and rotate it ½ turn to the outside of the door.



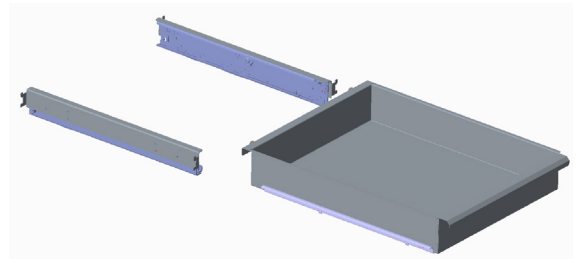
3. After the hinge has been rotated, it will now be in the OPEN position and NOT under spring tension.



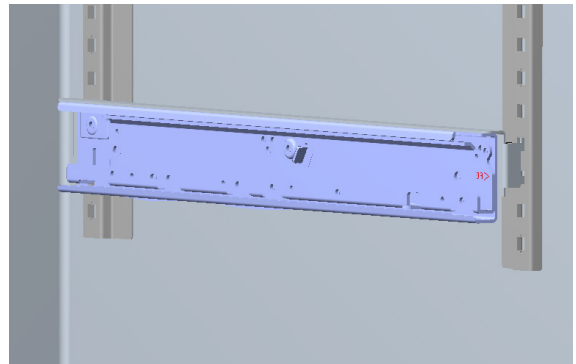
4. Mount the door back onto the cabinet with the door OPEN. The door should now close properly.
5. Begin closing the door, the door should finish closing on it's own. If the door stays open remove the door and hinge bracket.
6. Using the hinge bracket rotate the square peg on the cartridge until you feel tension and resistance if you move the hinge in either direction. The hinge is now in the CLOSED position. Repeat instructions starting with step 2.

## Accessory Interior Drawer Installation

1. Accessory drawer installation requires two tracks and a drawer.



2. Hang the drawer tracks on the pilaster strips across from each other. Verify the tracks are lined up evenly.

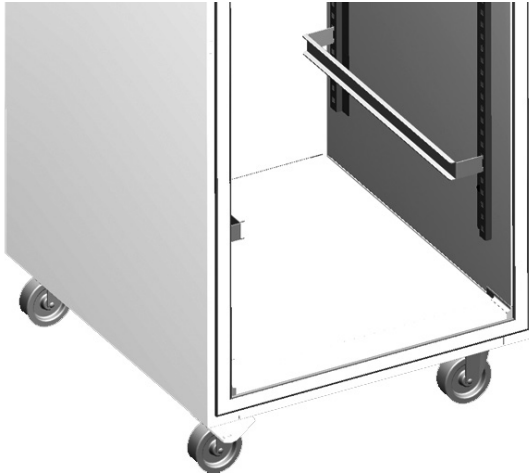


3. Slide the drawer box into the tracks slowly. When the drawer box is half way in it will hit a STOP. Lift the front of the drawer up slightly to continue.



### T-1 Tray Slide Installation

#### Edge Support for 18" x 26" pans



Installed T-1 Tray Slide for 18"x 26" Pans

<b>System Name</b>	T-1
<b>Slide Style</b>	Tray
<b>Support Style</b>	Edge
<b>Compatible with 12" x 20" Pans</b>	No
<b>Compatible with 18" x 26" Pans</b>	Yes

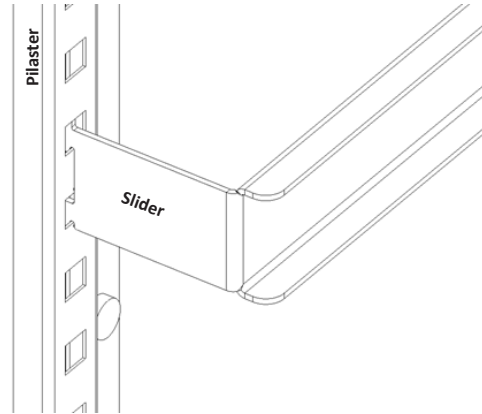
- The T-1 tray slide system is designed to support 18" x 26" pans by the edge of the pan.
- The slides are shaped as a C channel.
- Each set of tray slides is mounted at the same height across a door section.
- For each pan, one set of two (2) tray slides is used. The exception is 1.5" spacing.
- For 1.5" spacing, the tray slides are mounted every 3" and the top and bottom of each tray slide is used to hold a pan.

Centerline Spacing					
1.5"	2.0"	3.0"	4.0"	5.0"	6.0"
<b>Maximum Tray Slides for a Full Section</b>					
15	23	15	12	9	8
<b>Maximum Tray Slides for a Half Section (Top or Bottom)</b>					
7	10	7	5	4	4

### T-1 Installation Instructions

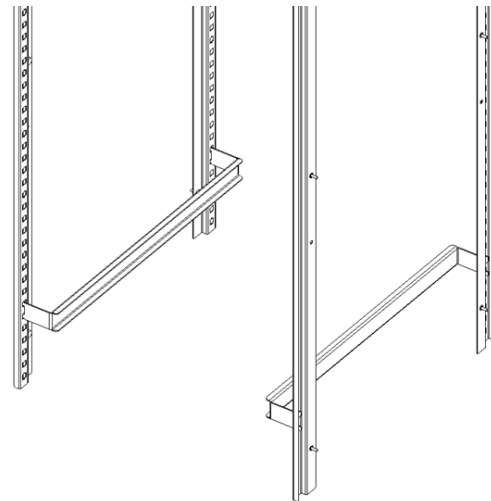
1. For each pan, mount a pair of tray slides; one on each side of the door section at the same height. Mount the tray slides onto the pilasters by sliding the tray slide tabs down into the cutouts. Make sure that all tabs are engaged securely to each pilaster.

NOTE: A dead-blow hammer is recommended to seat the tab into the cutouts.



2. Verify that all tray slides are lined up evenly.

NOTE: An easy check to verify correct installation is to slide an 18" x 26" pan onto each slide. If the pan is held securely, and is level inside the door section, the installation has been successful.



### T-2 Tray Slide Installation

Universal Bottom Support for 12" x 20" and 18" x 26" pans

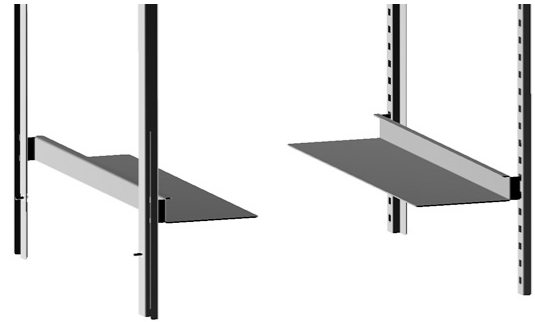


Installed T-2 tray slide with both size pans

<b>System Name</b>	T-2
<b>Slide Style</b>	Tray
<b>Support Style</b>	Bottom
<b>Compatible with 12" x 20" Pans</b>	Yes
<b>Compatible with 18" x 26" Pans</b>	Yes

- The T-2 (Universal) tray slide system is designed to support both 12" x 20" and 18" x 26" pans by the bottom.
- The tray slide is an L shaped piece of formed stainless steel.
- Each set of tray slides is mounted at the same height across a door section.
- For each pan, one set of two (2) tray slides is used.

Centerline Spacing				
2.0"	3.0"	4.0"	5.0"	6.0"
<b>Maximum Tray Slides for a Full Section</b>				
23	15	12	9	8
<b>Maximum Tray Slides for a Half Section (Top or Bottom)</b>				
10	7	5	4	4

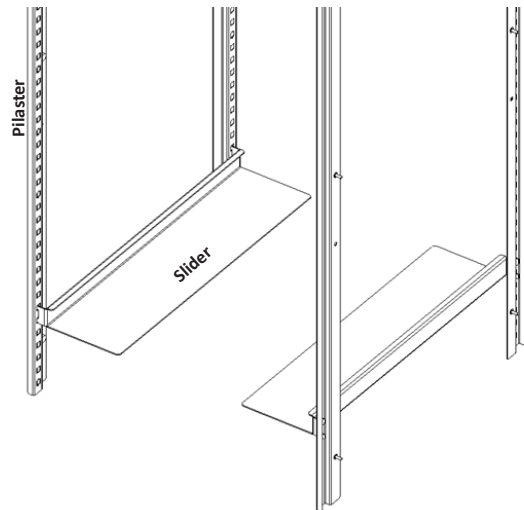


T-2 Tray Slide System

#### T-2 Installation Instructions

1. For each pan, two (2) tray slides will be used. Each tray slide must have another tray slide at the same height, on the opposite side of the door section. Mount the tray slides onto the pilasters by sliding the tabs down into the pilaster cutouts. Make sure that all tabs are engaged securely to each pilaster.

NOTE: A dead-blow hammer is recommended to seat the tab into the cutouts.

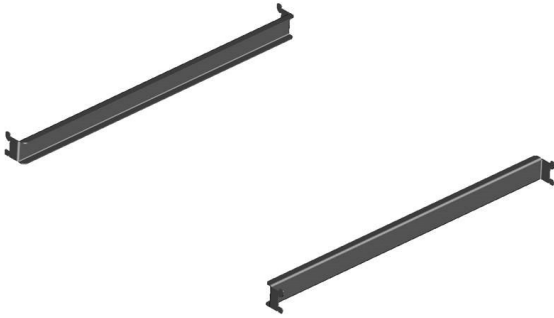


2. Verify that all tray slides are lined up evenly.

NOTE: An easy check to verify correct installation is to slide a pan onto each slide. If the pan is held securely, and is level inside the door section, the installation has been successful.

### T-3 Tray Slide Installation

#### Edge Support for 12" x 20" pans



T-3 Tray Slide for 12"x 20" pans

<b>System Name</b>	T-3
<b>Slide Style</b>	Tray
<b>Support Style</b>	Edge
<b>Compatible with 12" x 20" Pans</b>	Yes
<b>Compatible with 18" x 26" Pans</b>	No

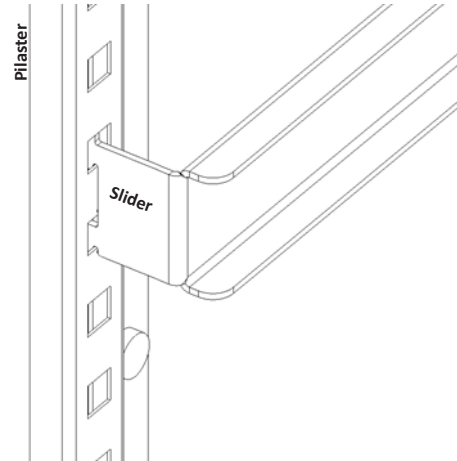
- The T-3 tray slide system is designed to support 12" x 20" pans by the edge of the pan.
- The slides are shaped as a C channel.
- Each set of tray slides is mounted at the same height across a door section.
- For each pan, one set of two (2) tray slides is used.

Centerline Spacing			
3.0"	4.0"	5.0"	6.0"
<b>Maximum Tray Slides for a Full Section</b>			
17	12	9	7
<b>Maximum Tray Slides for a Half Section (Top)</b>			
6	5	4	3
<b>Maximum Tray Slides for a Half Section (Bottom)</b>			
8	6	5	4

### T-3 Installation Instructions

1. For each pan, two (2) tray slides will be used. Each tray slide must have another tray slide at the same height, on the opposite side of the door section. Mount the tray slides onto the pilasters by sliding the tabs down into the pilaster cutouts. Make sure that all tabs are engaged securely to each pilaster.

NOTE: A dead-blow hammer is recommended to seat the tab into the cutouts.

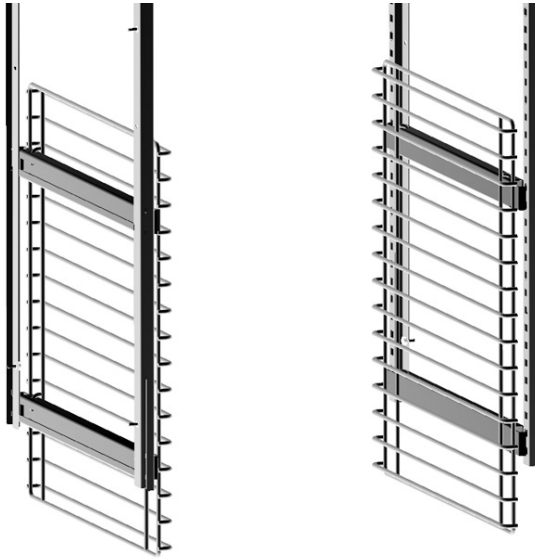


2. Verify that all tray slides are lined up evenly.

NOTE: An easy check to verify correct installation is to slide a pan of the appropriate size into each slide. If the pan is held securely, and is level inside the door section, the installation has been successful.

### T-4 Rack Slide Installation

#### Edge Support for 18" x 26" pans



Installed T-4 Tray Slide for 18" x 26" pan

<b>System Name</b>	T-4
<b>Slide Style</b>	Rack
<b>Support Style</b>	Edge
<b>Compatible with 12" x 20" Pans</b>	No
<b>Compatible with 18" x 26" Pans</b>	Yes

- The T-4 rack slide system is designed to support 18" x 26" pans by the edge of the pan.
- The T-4 rack slide system consists mounting plates for each side, and a set of racks.
- The racks are formed of heavy gauge metal wire.
- Each set of rack slides is mounted at the same height across a door section.
- Each rack uses two (2) mounting plates.

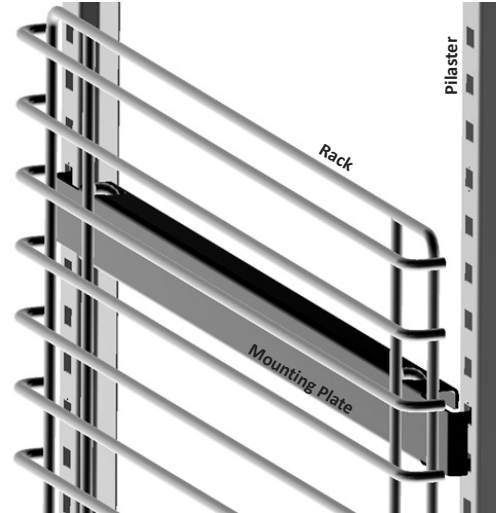
#### T-4 Installation Instructions

1. Start assembling the mounting plates at the bottom of the door section. Place a bottom mounting plate so that each set of tabs engages a cutout on the pilaster. Push the mounting plate down to secure the plate to the cutouts.

NOTE: A dead-blow hammer is recommended to seat the tab into the cutouts.

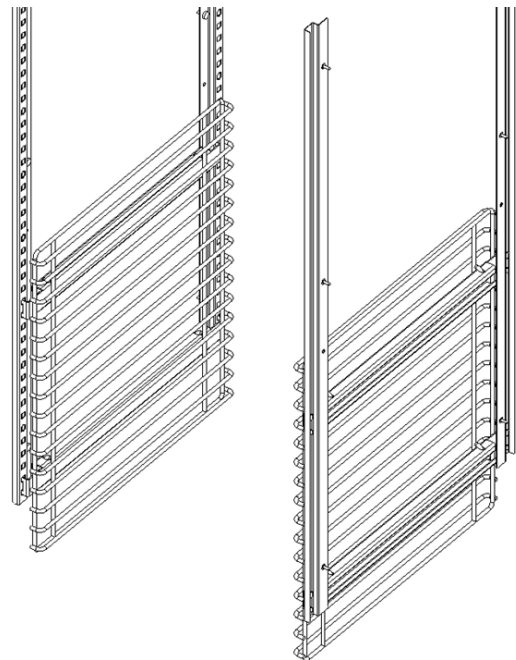
2. On the same side place a top mounting plate with the bottom edge 20" (51cm) above the top of the lower mounting plate.

3. Repeat steps 1-2 on the opposite side. Verify that all mounting plates are lined up across the door section.
4. For a full section installation, repeat steps 1-3 for the upper half.
5. Place each rack on two (2) mounting plates.



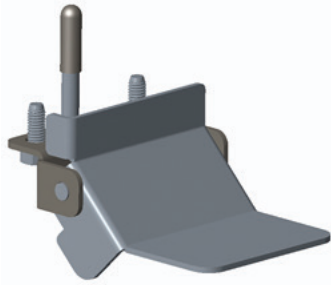
6. Verify that all tray slides are lined up evenly.

NOTE: An easy check to verify correct installation is to slide a pan of the appropriate size into each slide. If the pan is held securely, and is level inside the door section, the installation has been successful.

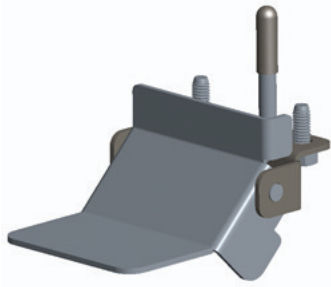


### Optional Foot Pedal Installation Instructions

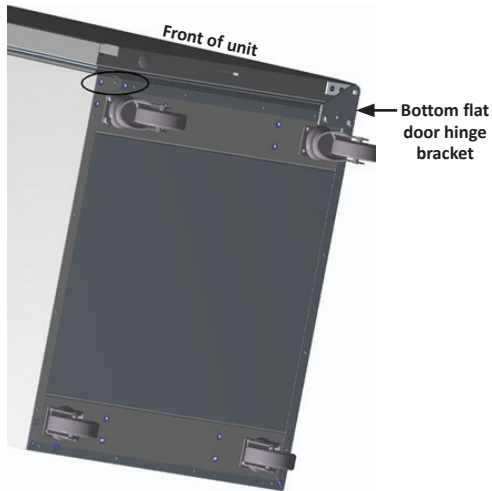
- If the optional foot pedal is ordered for a right hinged door, ensure part # 000-D10-0031 is received.



- If the optional foot pedal is ordered for a left hinged door, ensure part # 000-D10-0030 is received.



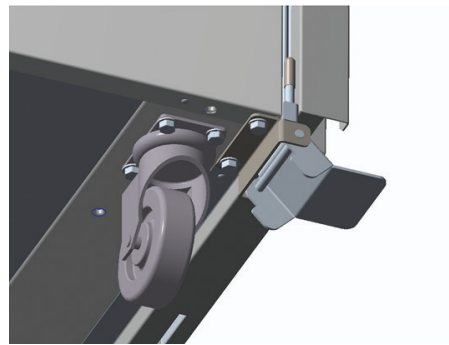
1. Locate foot pedal placement. Placement is on the bottom of the cabinet, opposite of the bottom flat door hinge bracket.



2. Mount foot pedal door assist with (2) 5/16-18 bolts that are provided, use 1/2" socket or wrench. Foot pedal plate should be facing forward and parallel to the floor when door is closed.

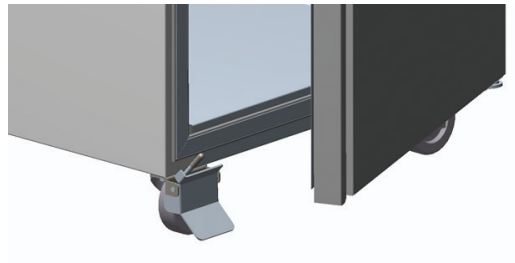


Front View



Bottom Side View

3. Step down on top of foot pedal plate and door will swing open.



Foot Pedal When Door Is Open

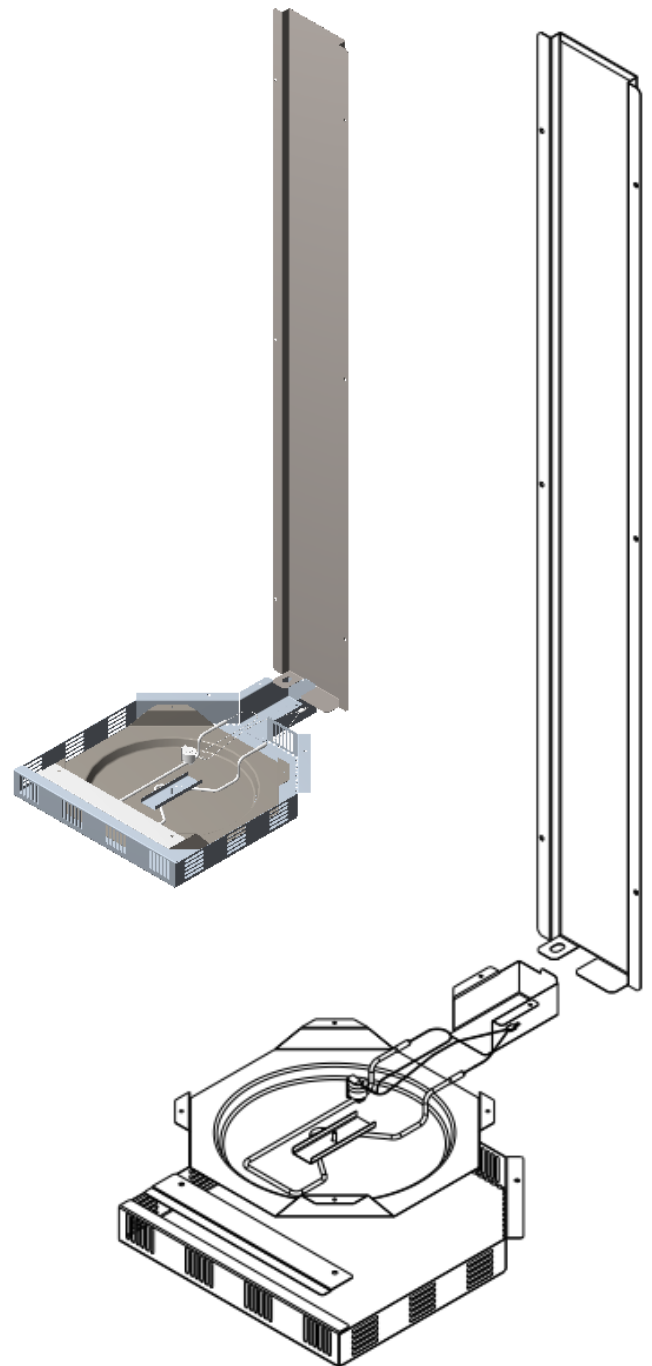
## Electric condensate evaporator mounting instructions

### **\*\* Unplug unit power cord before beginning work\*\***

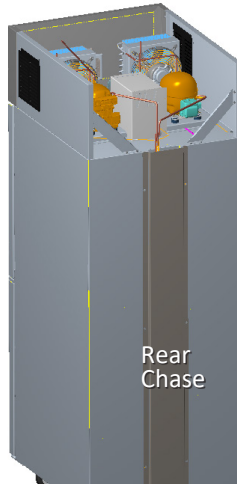
If retro-fitting electric condensate evaporator on unit that is already in the field start at Step 1. If unit has been ordered with condensate evaporator from the factory please start at Step 7.

### Kit Includes:

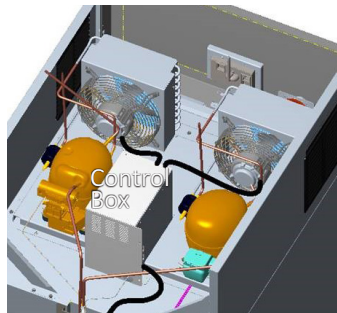
<b>000-BH7-0032</b>	ASSY, COND EVAP, 120V, 1DR	1
<b>000-BH6-0030</b>	ASSY, SPOT, COND EVAP PAN,	1
<b>019-AMS-0031</b>	PAN, CONDENSATE, EVAP	1
<b>9321094</b>	STUD, 10-24X.75, S/S	1
<b>000-CV6-0031</b>	ASSY, CVR, COND EVAP	1
<b>019-CX5-0031</b>	COVER, COND PAN, 1DR DT, GA	1
<b>271-CX2-0030</b>	CLIP, SPRT, CVR	1
<b>027-CZJ-0036</b>	CHASE, DRAIN, DT	1
<b>161-AE5-0033</b>	CLIP, CONDENSATE PAN, 5,	1
<b>2183387</b>	CORD, #51C EVAP	1
<b>2187277</b>	HARNESS, JUMPER, EVAP, COND	1
<b>2194659</b>	HEATER, 115V-100W, 1A,	1
<b>9295094</b>	INSTRUCTION, EVAP, COND, DT	1
<b>9321061</b>	WASHER, #10, LOCK, INSIDE	1
<b>9321127</b>	NUT, 10-24, S/S, WING	1
<b>9321353</b>	SCREW, #10X.50, S-H-HW-TEK	8
<b>027-CZJ-0001</b>	CHASE, MECH, DT	1



**Step 1.** Remove (6) screws holding vertical rear chase on back of unit and remove chase. Save screws, chase can be discarded.



**Step 2.** Remove (2) screws from control box cover and remove cover, save cover and screws. Find freezer condenser fan motor cord and follow cord back into the control box.



**STEP 3.** Remove the bushing strain relief from the side of the control box that holds the wiring that passes down the rear vertical chase.

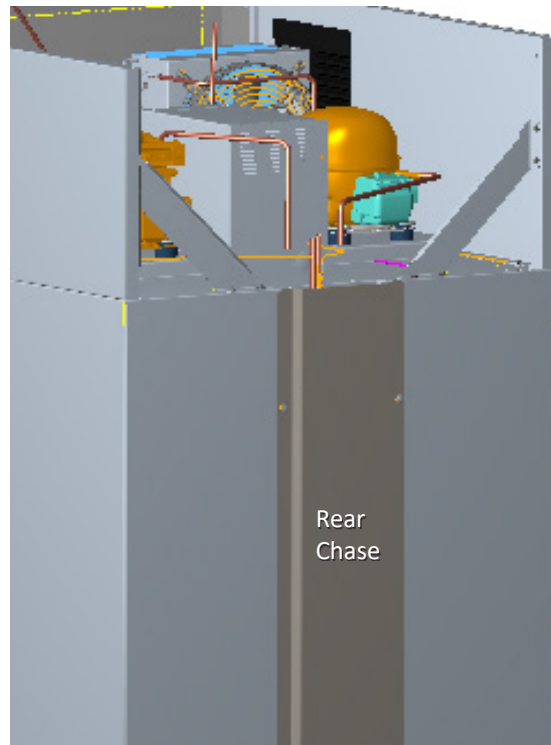
Pass the end of the jumper harness with piggyback insulated terminal connectors through the bushing strain relief until the protective sleeve can be secured by the bushing strain relief. Re-mount the bushing strain relief back into the side of the control box.

**Step 4.** Inside of control box, unplug the female freezer condenser fan motor cord connections from the main harness. Plug into the male fully insulated terminals from the jumper harness into the main harness where the freezer condenser fan motor cord connections were previously at, black to black and white to white. View wiring diagram on last page for pre and post wiring example.

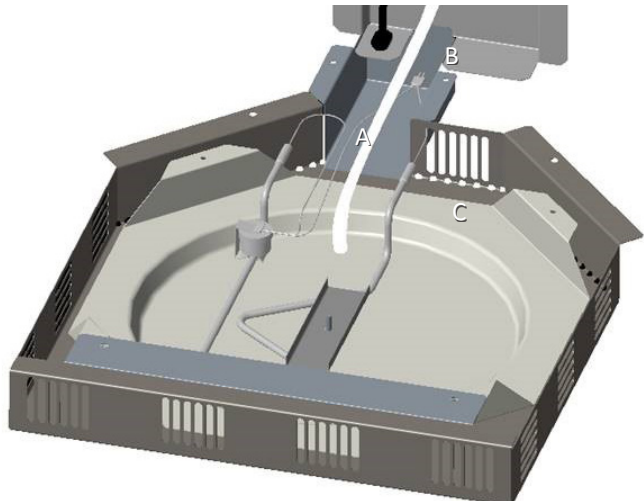
Re-mount control box cover on top of control box with same screws.

**STEP 5.** Route the jumper harness down the vertical raceway at the rear center of the unit. Locate the black harness that is mounted into the bottom bend of the new vertical rear chase and connect the stripped wires into the Wago nuts on the jumper harness.

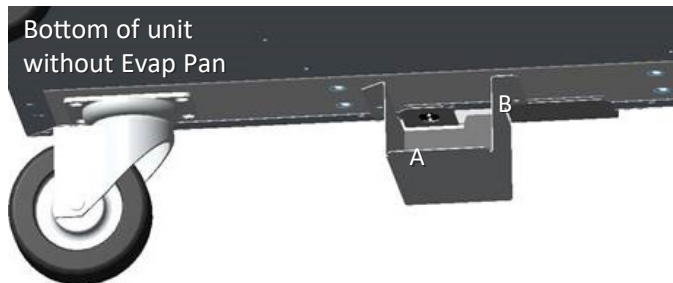
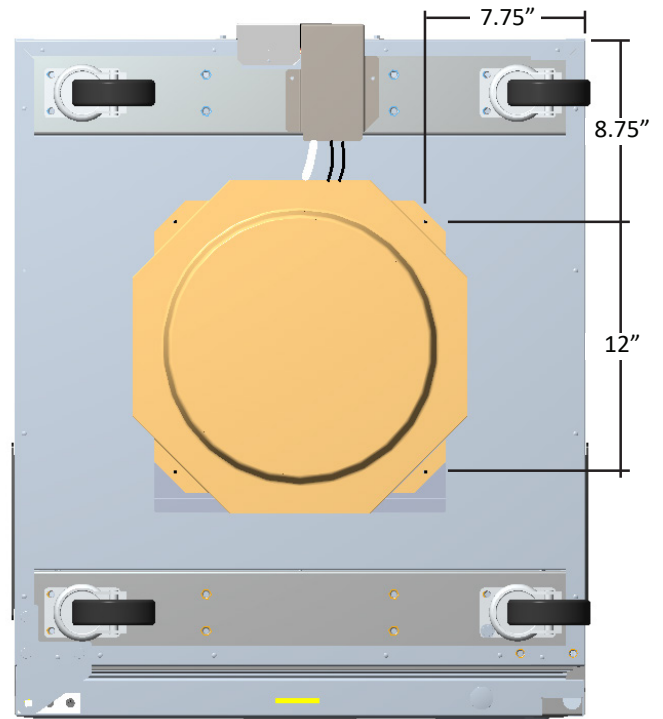
**STEP 6.** Mount the newly provided rear chase with the (6) screws that held the previous rear vertical chase.



**STEP 7.** At the bottom of the cabinet, align the galvanized horizontal chase to the rear vertical chase and mount with (2) self-drilling screws. The drain tube should pass through the open notched area at the bottom of the vertical rear chase and bend through the horizontal chase. Plug the cord from the condensate evaporator heating element which is mounted in the evaporator pan into the receptacle that is mounted in the bottom bend of the rear vertical chase.

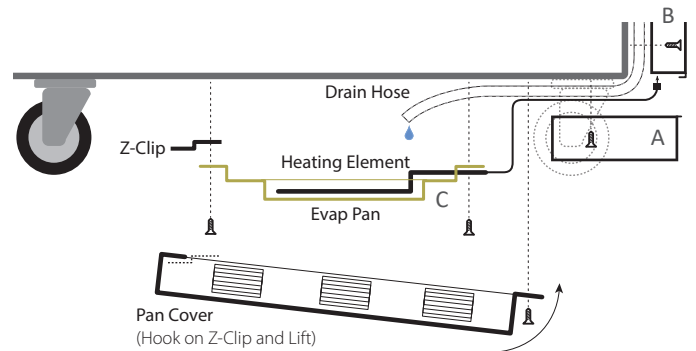


**Step 8.** Locate the pan as shown in the picture above and mount with (4) self-drilling screws. Make sure to place the Z-clip between the front (2) mounting holes in the evaporator pan and the bottom of the cabinet. This Z-clip will hold the front bend of the condensate evaporator cover. Route the drain tubing into the center of the evaporator pan. If drain tube is too long, it may be cut down in length. Tubing should end near center of evaporator pan to assure condensate flows into pan.



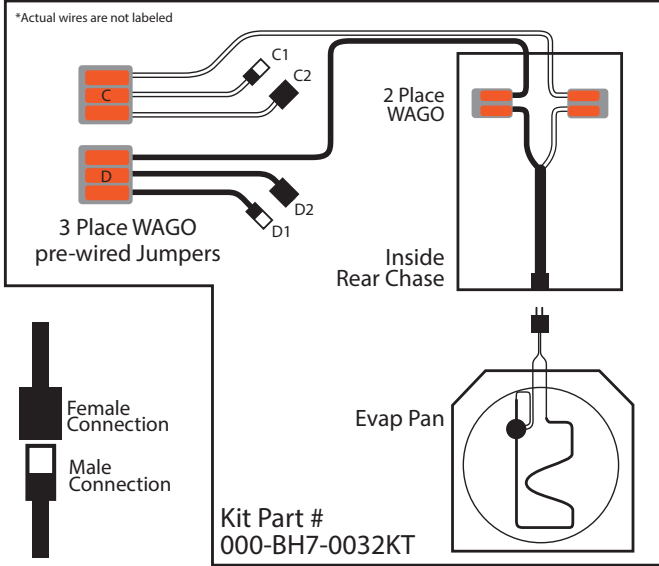
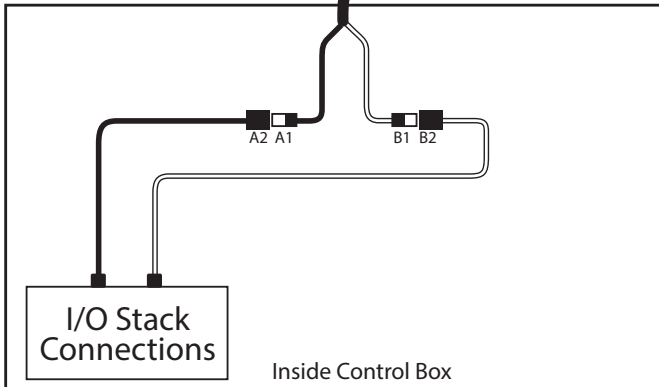
**Step 9.** Hook the front bend of the condensate evaporator cover on the Z-clip and mount the cover with (2) self-drilling screws at the rear.

**STEP 10.** Plug unit power cord back in. Once unit is powered up, the condensate evaporator will cycle ON whenever the freezer compressor and condenser fan motor are running.



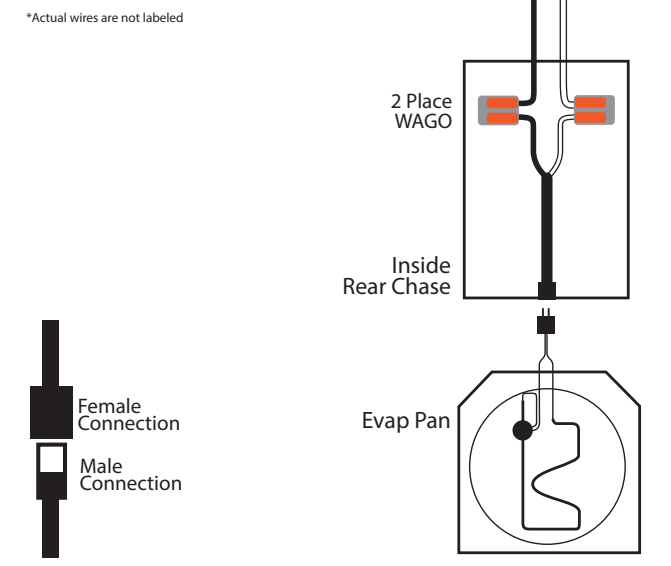
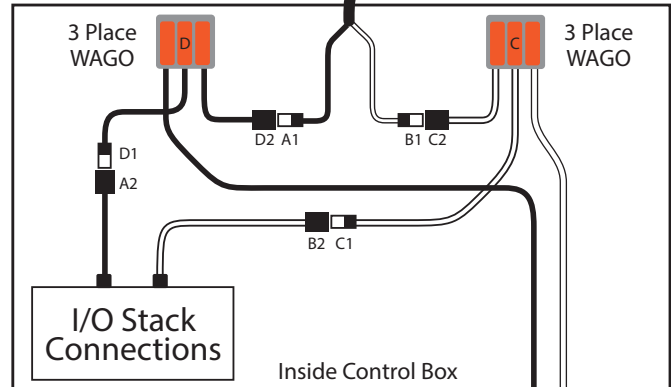
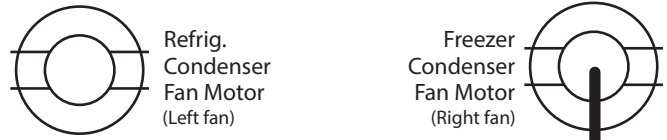
### Pre-Installation

View from back of unit



### Finished Installation

View from back of unit



## Section 3 Operation

### **DANGER**

The on-site supervisor is responsible for ensuring that operators are made aware of the inherent dangers of operating this equipment.

### **DANGER**

Do not operate any appliance with a damaged cord or plug. All repairs must be performed by a qualified service company.

### **DANGER**

Keep power cord AWAY from HEATED surfaces. DO NOT immerse power cord in water. DO NOT let power cord hang over edge of table or counter.

### **Warning**

Do not contact moving parts.

### **Warning**

All covers and access panels must be in place and properly secured, before operating this equipment.

### **Warning**

Do not use electrical appliances inside the food storage compartments of the appliance, unless they are of the type recommended by the manufacturer.

### **Warning**

The operator of this equipment is solely responsible for ensuring safe holding temperature levels for all food items. Failure to do so could result in unsafe food products for customers.

### **Warning**

Overloading shelves can damage equipment or cause bodily injury.

### **Warning**

Damp or wet hands may stick to cold surfaces.

### **Warning**

Do not block the supply and return air grills or the air space around the air grills. Keep plastic wrappings, paper, labels, etc. from being airborne and lodging in the grills. Failure to keep the air grills clear will result in unsatisfactory operation of the system.

### **Caution**

Do not throw items into the storage area. Failure to heed this recommendation could result in damage to the interior of the cabinet or to the blower coil.

### Refrigerator & Freezer Operation

- Delfield refrigerators are designed to maintain an operational temperature of 36°F to 40°F (2°C to 4°C).
- Delfield freezers are designed to maintain an operational temperature of 0°F (-18°C).

### Refrigerator & Freezer Start Up

#### Note

Display responds to finger touch only. Do not use utensils or other objects to operate the display. Use of these objects could damage the display.

This also covers anytime power is disconnected then reconnected.

1. Plug the unit in.
2. The screen will appear after a 30 second delay.
3. Select the power icon, located on the right of the screen.



4. The touchscreen will move through the following two screens.





5. The unit will continue through the Defrost mode. The compressor and condenser fan as well as the evaporator fan will remain off until this initial defrost is complete. This initial defrost cycle may take up to 35 minutes to complete.
6. The defrost icon will continue on the display for an additional 30 minutes while the cooling cycle cools the box to the set temperature. Then the box temperature will be displayed.



7. The temperature control will cycle the compressor, evaporator fan motor and condenser fan motor to maintain box temperature at the control setting.

**EVAPORATOR FAN OPERATION**

During normal operation the evaporator fan may cycle and/or pulse independently of the compressor. Consult Technical Support at 1-844-724-CARE if you are unsure of the proper function.

	Cooling Cycle		Defrost Cycle
	Compressor On	Compressor Off	Compressor Off
<b>Refrigerator</b>	Evap Fan On	Cycles On 2-Min, Off 2-Min	Evap Fan On
<b>Freezer</b>	Evap Fan On	Evap Fan Off	Evap Fan Off

**Heated Cabinet Operation**

**! DANGER**

The unit surface is very hot! Avoid direct contact with skin; use appropriate protective apparel, such as gloves.

Delfield heated cabinets are designed to maintain an operational temperature of 165°F (73°C).

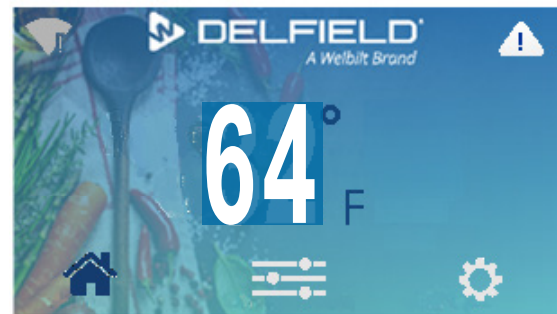
**Heated Cabinet Start Up**

This also covers anytime power is disconnected then reconnected.

1. Plug the unit in.
2. The screen will appear after a 30 second delay.
3. Select the power icon, located on the right of the screen.



4. The home screen will display. Allow unit to warm-up before use. It may take up to two hours to reach the desired temperature.



**FAN OPERATION**

When heating elements are ON, fan is ON.

When heating elements are OFF, fan cycles OFF for 2 minutes, then ON for 1 minute and repeating this cycle until control turns heating elements back ON.

**HIGH TEMPERATURE SAFETY DEVICE**

An automatic reset type safety device is mounted above the heater(s) behind the vertical air duct(s). This safety switch will open if the temperature exceeds 220°F (105°C) in the event of a fan failure or air duct obstruction. Whenever the switch opens, power to the heaters is interrupted. Once the safety switch cools sufficiently to automatically reset, operation of the heaters will resume.

**Power Down**

1. From the settings screen, select Unit Standby.



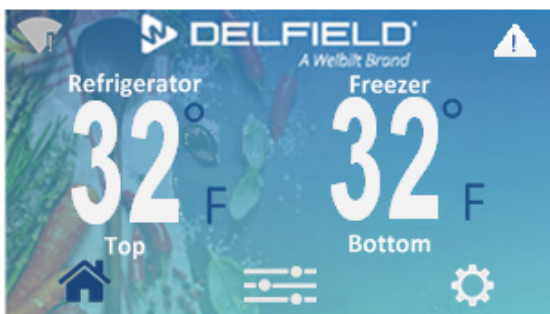
2. Access to this page requires the manager password.
3. Slide over the System Power button to off.
4. Setting system power to off will shut down the cooling or heating system only. Power will remain to control.



**Settings Screen \ Unit Standby**

5. If the unit is a heated cabinet, allow unit to cool down.
6. Clean equipment as discussed in the maintenance section of this manual.

**Home Screen**



**Dual Temperature Home Screen**



**Standard Home Screen**

- Home screens display:
  - Cabinet temperature
  - Top left features an internet status icon.
  - Top right features an active alert icon. If there are active alarms touching it will display the Alarm History screen.
- At the bottom the active screen's icon will be displayed in blue.
  - Home screen icon
  - Configuration screen icon
  - Settings screen icon
  - Swipe to move between the screens or select the desired screen icon
- Most function screens will timeout after 15 seconds of inactivity and return to the home screen.
- If the unit is in defrost, the defrost icon replaces the cabinet temperature. The defrost icon will be displayed throughout the defrost process.



- If there is a cabinet temperature probe failure three dashes will replace the cabinet temperature. The active alert icon will also display. The three dashes will be displayed as long as the temperature probe failure continues.

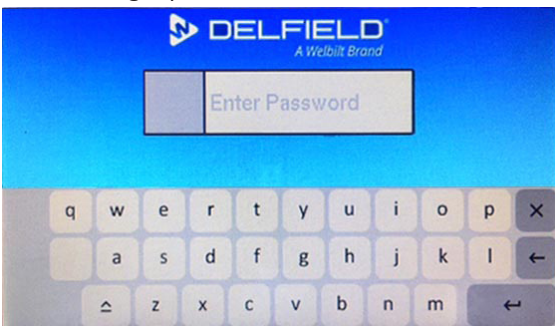


- When the cabinet has been turned off and power is still connected, the power icon will replace the temperature. The display remains active for service functions and to turn the cabinet back on.



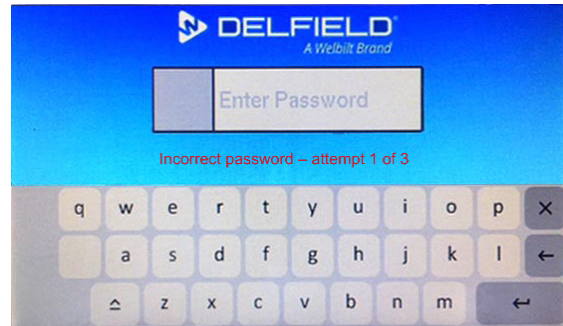
**TouchScreen Password**

1. When a function is password protected, the password enter screen will appear. Type in the either the manager password or the service password.
  - The icon ^ in the bottom left will toggle the keyboard between uppercase, lower case and numbers.
  - The manager password is 211276.

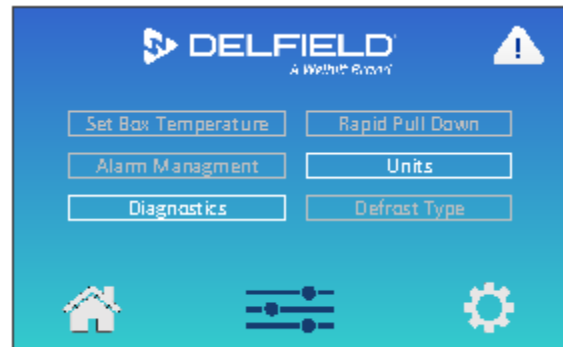


2. After the correct password is entered, the display will proceed to the password protected function.
  - All features protected by the entered password will remain active until the display is not active for 10 seconds. The display will return to the home screen and the password accessed features will be locked.

3. Three attempts are allowed with incorrect passwords then the touchscreen will return to the home screen.



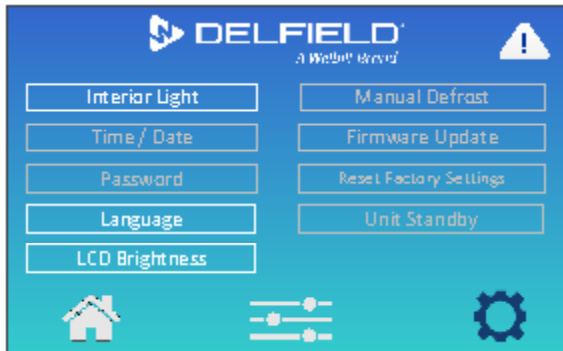
**Configuration Screen**



- The Configuration screen can be accessed by swiping horizontally from the Home or any top level screen.
- From the Configuration Screen the following screens are accessible:
  - Frame Heater (freezer only)
  - Rapid Pull Down (refrigerator only)
  - Units
  - Defrost Type (Refrigerator & Freezer)
  - Set Box Temperature
  - Alarm Management
  - Diagnostics
  - Network Connection
- Select the title frame to navigate there. The gray titles require a password to access.



### Settings Screen



- The Settings screen can be accessed by swiping horizontally from the Home or any top level screen.
- From the Settings Screen the following screens are accessible:
  - Interior Light
  - Time / Date
  - Password
  - Language
  - LCD Brightness
  - Manual Defrost (Refrigerator & Freezer)
  - Firmware Update
  - Reset Factory Settings
  - Unit Standby
- Select the title frame to navigate there. The gray titles require a password to access.



- From the settings screen, the language button remains the fourth button down on the left regardless of language.



### Units

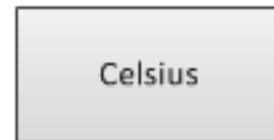


#### Configuration Screen\Units

- The selected mode/button will be gray.
- Selecting Fahrenheit sets the cabinet temperature units to Fahrenheit. This is the factory default.



- Selecting Celsius sets the cabinet temperature units to Celsius.

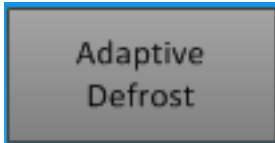


### Defrost Type (Refrigerator & Freezer)



#### Configuration Screen\Defrost Type

- Access to this page requires the manager password.
- The selected mode/button will be gray.
- Selecting Adaptive Defrost activates this defrost mode. This is the factory default.



**Adaptive Defrost**

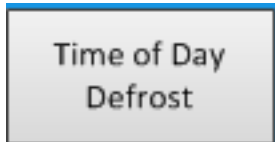
The temperature control monitors the evaporator temperature and will turn off the compressor and condenser fan motor when needed to allow accumulated frost on the evaporator to clear. Additionally the freezer evaporator fan will turn off and the defrost heater will switch on to warm the coil. During this defrost cycle, the control will display a defrost icon. After the defrost cycle is complete, the temperature control will return to a normal cooling cycle, but the defrost icon will continue on the display until the evaporator returns to normal cooling temperatures (up to 30 minutes). The freezer evaporator fan motor will not switch on until the evaporator reaches -5°F (-21°C) or two minutes AFTER the compressor and condenser fan motor have begun operating.

The temperature control monitors evaporator temperature and compressor run time to determine the proper time for a positive defrost cycle. A defrost cycle can occur as often as every 60 minutes under extremely heavy usage. It can last a minimum of 2 minutes in a refrigerator or 6 minutes in a freezer. The compressor will remain off until the evaporator coil temperature exceeds:

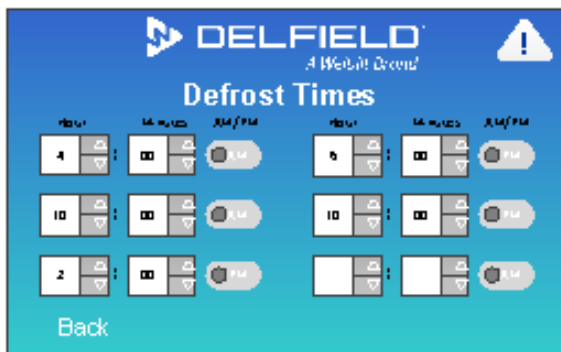
- 41°F (5°C) or the controller reaches a time limit of 75 minutes on a refrigerated unit.
- 55°F (13°C) or the controller reaches a time limit of 35 minutes on a freezer.

**Time of Day Defrost**

- Selecting Time of Day Defrost activates this defrost mode.



- Time of Day Defrost requires defrost times to be set up.



**Configuration Screen\Defrost Type\Time of Day Defrost**

- Six defrost times are allowed.
- A blank hour and minutes will be an inactive time.
- If no defrost times are assigned, no defrost will occur.
- Increase and decrease the defrost time settings using the up and down arrows.

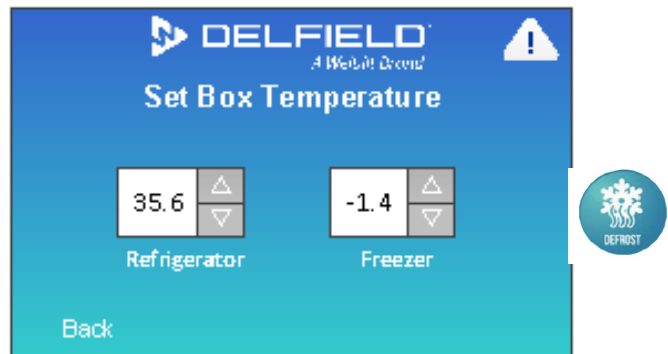


- Hours 1 through 12 will be available if a 12 hour clock format has been selected on the Time/Date page. The AM/PM icon will allow you to switch between the two.



- Hours 1 through 23 will be available if a 24 hour clock format has been selected on the Time/Date page.
- Minutes can be set 00 through 59.

**Set Box Temperature**



**Configuration Screen\Set Box Temperature**

*Screen For Dual Temperature Cabinet Shown*

- Access to this page requires the manager password.
- Increase and decrease the cabinet temperature set point using the up and down arrows.
- Set point can only be adjusted within the set point limits.
- Refrigeration factory setting is 35.6°F, set point limits are 30°F and 60°F.
- Freezer factory setting is -1.4°F, set point limits are -5°F and 36°F.
- Heated cabinet factory setting is 165°F, set point limits are 120°F and 200°F.

### Alarm Management



Configuration Screen\Alarm Management

- Access to this page requires the manager password.
- Selecting this Icon switches the audible alarm between Off and On. On is the factory setting.



Audible Alarm is Off



Audible Alarm is On

### Network Connection



Configuration Screen\Network Connection

- Ethernet: will display local area network name and icon if it is connected.
- WiFi: will display the WiFi network name and signal strength if it is connected.
- Ethernet and WiFi both offer access to a IP Address Setup screen. Select the cog icon.



- Manage network connection by selecting Set Up Connection.

### Set up Connection



Configuration Screen\Network Connection \Set Up Connection

- Screen will list up to eight networks, their name, type of security, and signal strength using an icon.
- Use the scroll bar on the right of the screen to see additional networks. Select a listed network and the display will navigate to the complete network setup.



Configuration Screen\Network Connection \Set Up Connection\Network Name

- Selecting cancel navigates to the previously viewed screen and cancels the network setup.



- Screen lists network name, type of security and empty password box.
- Select the empty password box to bring up a keyboard.

Type in the password, each character will appear as an asterisk. Connect will appear in the lower right corner.



- If the incorrect password is entered the entry will disappear. Retry in the empty password box.
- If no password is required, security type will list None, neither password nor empty box will display and connect will appear in the lower right corner.
- Selecting Connect will complete the internet setup and navigate back to the Network Connection screen.

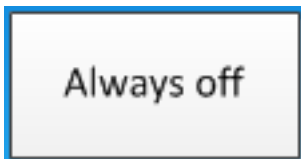
### Interior Light

1. From the settings screen select Interior Lights.

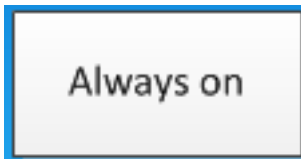


Settings Screen\Interior Light

- The selected mode/button will be gray.
- Selecting Always Off switches the interior light to be off at all times.



- Selecting Always On switches the interior light to be on at times when the unit is on. This is the factory default.



### Time / Date



Settings Screen\Time\Date\Format Tab

- The Format Tab has two date and two time choices.
- Select the desired date and time format. The active choice will be gray.
- MM/DD/YR is the default. 12 Hr Clock is the default.



Date Format Choices



Time Format Choices



Settings Screen\Time\Date\Time Tab

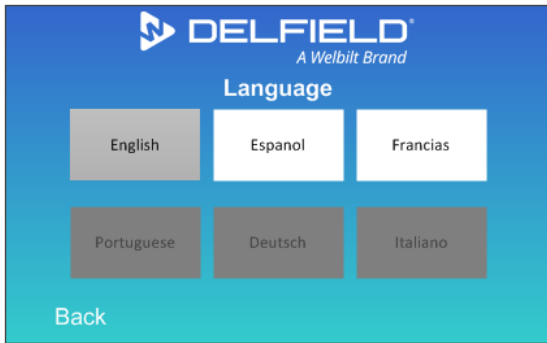
- Increase and decrease the hour and minutes using the up and down arrows.
- Based on the clock format chosen the hours can be set through 12 or 24.
- Select the AM/PM icon to switch between the two. The icon will not be available if the 24 Hr Clock is selected.



Settings Screen\Time\Date\Date Tab

- Increase and decrease the Month, Day and Year using the up and down arrows.
- 20 precedes the year setting.

### Language



**Settings Screen\Language**

- Language in the light gray box is current selection. English is default.

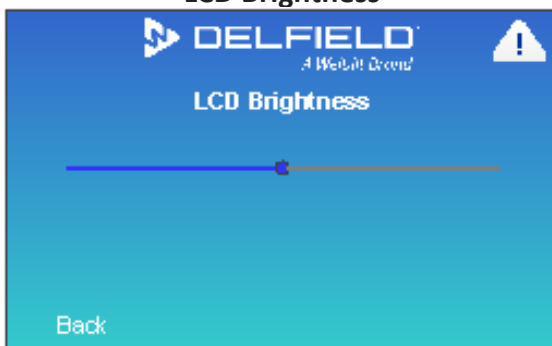


**Selected Language in Blue**

- Select a language in a white box to change.
- Languages in dark gray boxes are not yet available.
- English remains the top left button regardless of language.



### LCD Brightness



### Settings Screen\LCD Brightness

- LCD default is 50%.
- Slide the small circle along the line to the right to increase the brightness, left to decrease.

NOTE: Adjusting brightness to 60% or less will increase the life of the display.



### Manual Defrost



**Settings Screen\Manual Defrost**

- Access to this page requires the manager password.
- Off is the factory setting.
- When On is selected the defrost will cycle once and return to normal operation.



### Web Application

#### KITCHENCONNECT

This online application is an equipment monitoring tool.

#### Register:

1. Navigate to <https://www.welbiltdigital.com/>
2. Select Register.
3. Enter Information in at least the required fields.
4. Select Submit.
5. Enter your email and password.
6. Select Login.

## Mobile Application



### SPECIFICATION LINE CONNECT

This mobile application is an equipment monitoring tool.

#### To Download The Mobile Application:

1. Open either Apple iTunes or Google PlayStore.
2. Search for Specification Line Connect.
3. Select and install.
4. Open the application. The Welbilt W logo is the application icon.

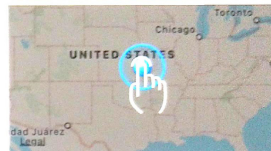
## Application Operation

### Set Up A Site

1. Select + Add Site.
2. Fill in all site information. All fields are required.
  - Site ID (Max 30 Characters)
  - Site Name (Max 20 Characters)
  - Site Manager Name (Max 20 Characters)
  - Site Email ID (Max 50 Characters)
  - Site Address (Max 50 Characters)
  - Country (From a Menu)
  - State (From a Menu)
  - City (Max 20 Characters)
  - Postal Code (Max 10 Characters)



Choose Site Location



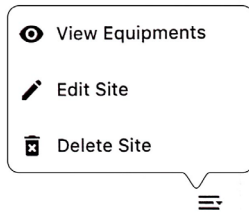
3. Select Choose Site Location to put a pin on the map.
4. Select Submit.



5. The new site will be added to the home page.

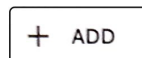
### Edit Or Delete Site

1. Select the menu icon next to the site.
2. Edit and Delete Site are available actions.
3. Edit will bring up the site information page.
4. Delete will require confirmation.



### Set Up Equipment

1. Select the menu icon next to the site.
2. Select View Equipments.
3. Select + Add.

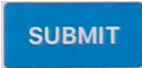


4. Fill in all equipment information. All fields are required.

NOTE: Serial number entered must match equipment.

- Equipment Serial Number (Max 30 Characters)
- Equipment Name (Max 20 Characters)
- Equipment Type (From a Menu)
- Equipment Model (From a Menu)

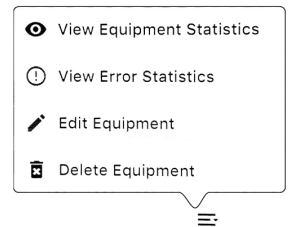
5. Select Submit.



6. The new equipment will be connected to the site.

### Edit Or Delete Equipment

1. Select the menu icon next to the equipment.
2. Edit and Delete Equipment are available actions.
3. Edit will bring up the equipment information page.
4. Delete will require confirmation.



## EQUIPMENT MANAGEMENT

### Converting .csv file to useable Excel file:

Highlight Column A

Go to the Data tab

- Under the Data Tools group, select Text to Columns

In the Convert Text to Column wizard, choose the Delimited file type and click next

- Select tab and comma, click next, and click finish

	Field 1	Field 2	Field 3	Field 4	Field 5	Field 6	Field 7	Field 8	Field 9	Field 10	Field 11	Field 12
123456789	123456789	123456789	123456789	123456789	123456789	123456789	123456789	123456789	123456789	123456789	123456789	123456789
123456789	123456789	123456789	123456789	123456789	123456789	123456789	123456789	123456789	123456789	123456789	123456789	123456789
123456789	123456789	123456789	123456789	123456789	123456789	123456789	123456789	123456789	123456789	123456789	123456789	123456789
123456789	123456789	123456789	123456789	123456789	123456789	123456789	123456789	123456789	123456789	123456789	123456789	123456789

### View Equipment Statistics

Tabs include:

- Summary tab includes the following statistics:
  - Cavity1 Temp Max/Min
  - Cavity2 Temp Max/Min
  - Ambient Temp Max/Min
  - Energy Used
  - Network
  - Signal Strength
- Latest Temperature Information
- Set Point Vs Cavity Vs Ambient Temperature
- Condenser Inlet Vs Outlet Temperature
- Evaporator Inlet Vs Outlet Temperature

- Energy Usage

Change the date range by clicking the calendar icon.

If the site has multiple pieces of equipment you can switch to the other equipment from the equipment menu.

**View Error Statistics**

1. Select the menu icon next to the equipment.
2. View Error Statistics will bring up a list.
  - Change to a graph view by selecting the graph icon in the top right corner.
  - Change the date range by clicking the calendar icon.
  - If the site has multiple pieces of equipment you can switch to the other equipment from the equipment menu.

## Section 4 Maintenance

### ⚠ DANGER

It is the responsibility of the equipment owner to perform a Personal Protective Equipment Hazard Assessment to ensure adequate protection during maintenance procedures.

### ⚠ DANGER

Failure to disconnect the power at the main power supply disconnect could result in serious injury or death. The power switch DOES NOT disconnect all incoming power.

### ⚠ DANGER

Disconnect electric power at the main power disconnect for all equipment being serviced. Observe correct polarity of incoming line voltage. Incorrect polarity can lead to erratic operation.

### ⚠ Warning

Never use sharp objects or tools to remove ice or frost. Do not use mechanical devices or other means to accelerate the defrosting process.

### ⚠ Warning

When cleaning interior and exterior of unit, care should be taken to avoid the front power switch and the rear power cord. Keep water and/or cleaning solutions away from these parts.

### ⚠ Warning

When using cleaning fluids or chemicals, rubber gloves and eye protection (and/or face shield) must be worn.

### ⚠ Caution

Maintenance and servicing work other than cleaning as described in this manual must be done by an authorized service personnel.

### Notice

Never use a high-pressure water jet for cleaning or hose down or flood interior or exterior of units with water. Do not use power cleaning equipment, steel wool, scrapers or wire brushes on stainless steel or painted surfaces.

### Responsibility

You are responsible for maintaining the equipment in accordance with the instructions in this manual. Maintenance procedures are not covered by the warranty.

Maintenance	Daily	Weekly	Quarterly	After Prolonged Shutdown	At Start-Up
Interior	X			X	X
Gasket	X			X	X
Exterior	X			X	X
Drawer Track		X		X	X
Drain			X	X	X
Condenser Coil			X	X	X
Hinge screws			X	X	X

## Interior Cleaning

The interior can be cleaned using soap and warm water. If this isn't sufficient, try ammonia and water or a nonabrasive liquid cleaner.

### GASKETS

Gaskets require regular cleaning to prevent mold and mildew build up and also to retain the elasticity of the gasket. Clean them with water and mild soap (not citrus based). Avoid full strength cleaning products on gaskets as this can cause them to become brittle and crack. Never use sharp tools or knives to scrape or clean the gasket. Gaskets can be easily replaced and do not require the use of tools or an authorized service person. The gaskets are dart style and can be pulled out of the groove in the door. Place gasket in warm water to make the material more pliable for installation. Dry and press into place.

### PREVENTING BLOWER COIL CORROSION

To help prevent corrosion of the blower coil, store all acidic items, such as pickles and tomatoes, in seal-able containers. Immediately wipe up all spills.

## Exterior Cleaning

### Notice

Never use an acid based cleaning solution on exterior panels! Many food products have an acidic content, which can deteriorate the finish. Be sure to clean the stainless steel surfaces of ALL food products.

Clean the area around the unit as often as necessary to maintain cleanliness and efficient operation.

Wipe exterior surfaces with a damp cloth rinsed in water to remove dust and dirt from the outside of the unit. Always rub with the "grain" of the stainless steel to avoid marring the finish. If a greasy residue persists, use a damp cloth rinsed in a mild dish soap and water solution. Wipe dry with a clean, soft cloth.

Never use steel wool or abrasive pads for cleaning. Never use chlorinated, citrus based or abrasive cleaners.

Stainless steel exterior panels have a clear coating that is stain resistant and easy to clean. Products containing abrasives will damage the coating and scratch the panels. Daily cleaning may be followed by an application of stainless steel cleaner which will eliminate water spotting and fingerprints. Early signs of stainless steel breakdown are small pits and cracks. If this has begun, clean thoroughly and start to apply stainless steel cleaners in attempt to restore the steel.

Wipe casters with a damp cloth to prevent corrosion.

## DRAIN

Each refrigerated unit has a drain located inside the unit that removes the condensation from the evaporator coil and routes it to an external condensate evaporator pan. Each drain can become loose or disconnected during normal use. If you notice water accumulation on the inside of the unit, be sure the drain tube is connected to the evaporator drain pan. If water is collecting underneath the unit, make sure the end of the drain tube is in the condensate evaporator. The leveling of the unit is important as the units are designed to drain properly when level. Be sure all drain lines are free of obstructions.

## DOORS/HINGES

Over time and with heavy-use doors, the hinges may become loose. If this happens, tighten the screws that mount the hinge brackets to the frame of the unit. Loose or sagging doors can cause the hinges to pull out of the frame, which may damage both the doors and the hinges. In some cases this may require qualified service agents or maintenance personnel to perform repairs.

## Cleaning the Condenser Coil

In order to maintain proper refrigeration performance, the condenser fins must be cleaned of dust, dirt and grease regularly. It is recommended that this be done monthly. If conditions are such that the condenser is totally blocked in a month, the frequency of cleaning should be increased. Clean the condenser with a vacuum cleaner or stiff brush. If extremely dirty, a commercially available condenser cleaner may be required.

Failure to maintain a clean condenser coil can initially cause high temperatures and excessive run times. Continuous operation with a dirty or clogged condenser coil can result in compressor failure. Neglecting the condenser coil cleaning procedures will void any warranties associated with the compressor and cost to replace the compressor.



DELFIELD  
980 SOUTH ISABELLA ROAD, MOUNT PLEASANT, MI 48858  
800-733-8821  
WWW.DELFIELD.COM



Welbilt offers fully-integrated kitchen systems and our products are backed by KitchenCare® aftermarket parts and service. Welbilt's portfolio of award-winning brands includes Cleveland™, Convotherm®, Crem®, Delfield®, fitkitchen®, Frymaster®, Garland®, Kolpak®, Lincoln®, Manitowoc®, Merco®, Merrychef® and Multiplex®.

*Bringing innovation to the table* • [welbilt.com](http://welbilt.com)