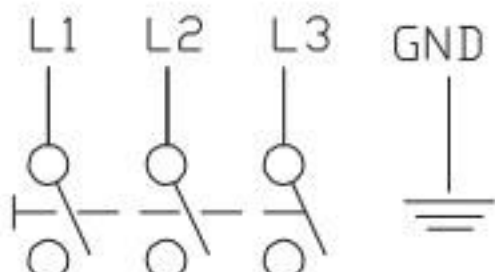


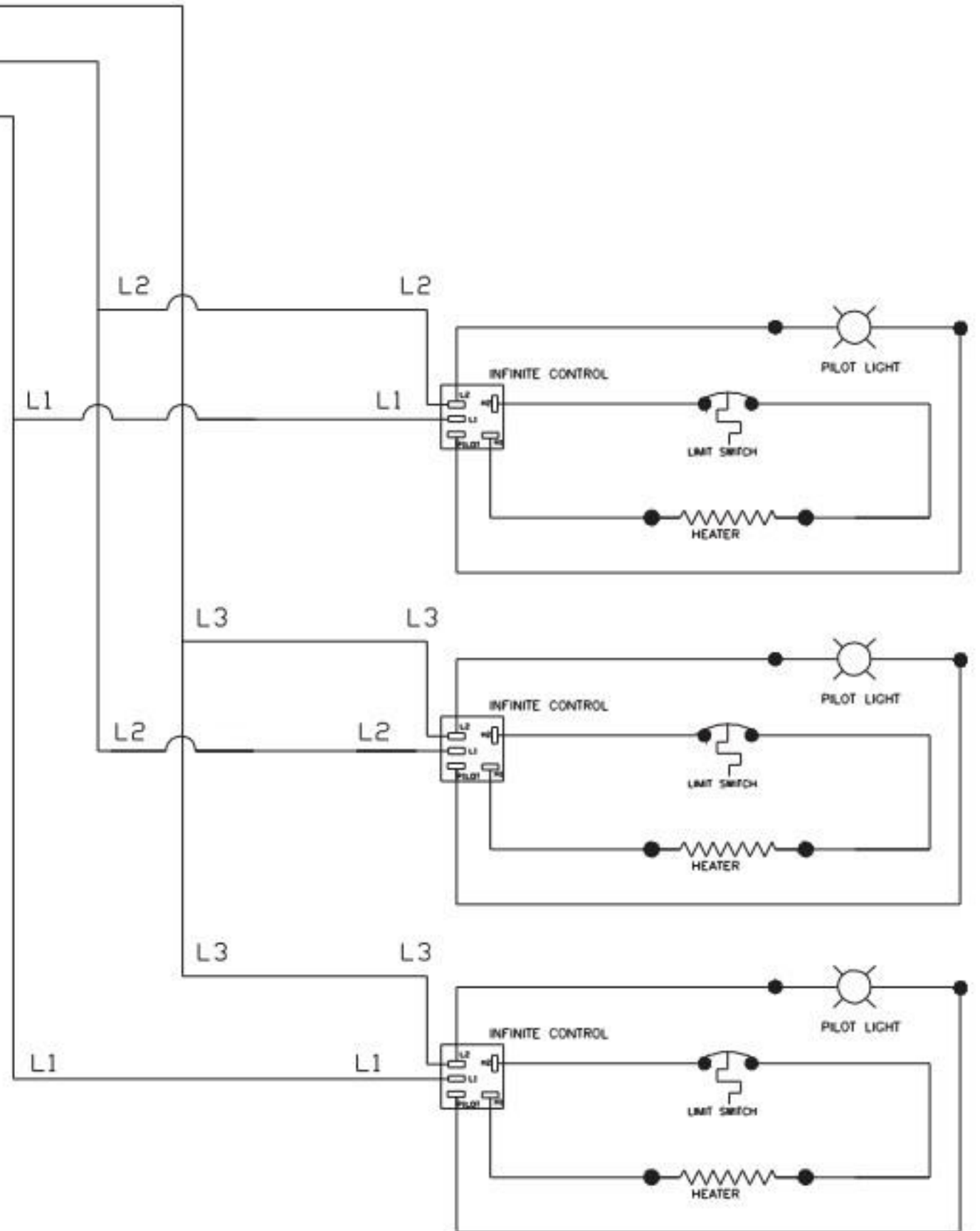
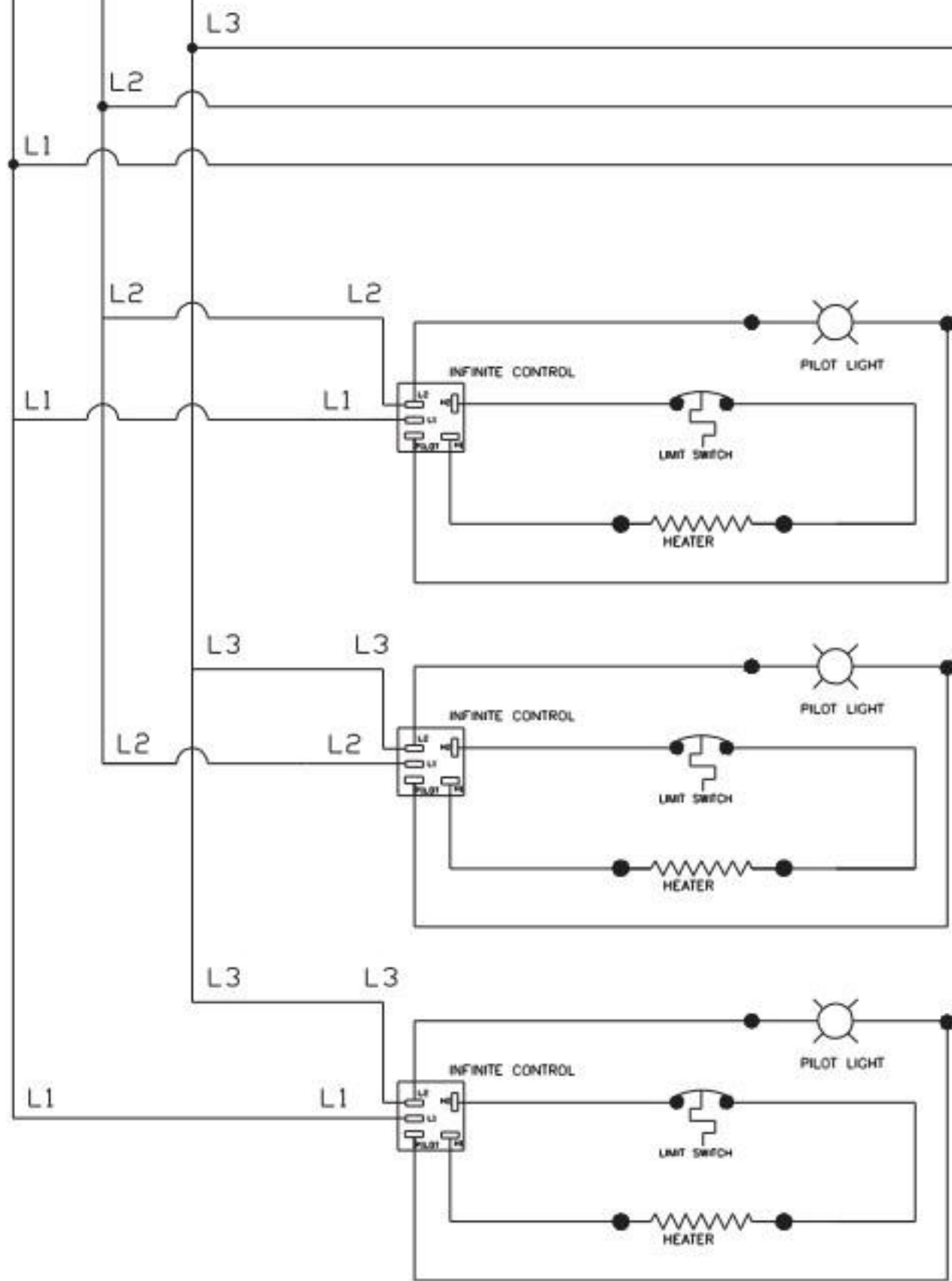
30A, 3-POLE 3 PHASE

BLACK RED BLUE



NEUTRAL WIRE FOR 120 VOLT OPTIONS

NEUTRAL _____



Neutral Wire For 120 Volt Options

Neutral

L2

L1

GND

(DPST Switch) Master On/Off Switch 1
Units With 1, 2, 3 Or 4 Food Wells Have 1 Master On/off Switch
Switches Are Standard On Some, Optional On Others

(DPST Switch) Master On/Off Switch 2
Units With 5 Or 6 Food Wells Have 2 Master On/off Switches
Switches Are Standard On Some, Optional On Others

