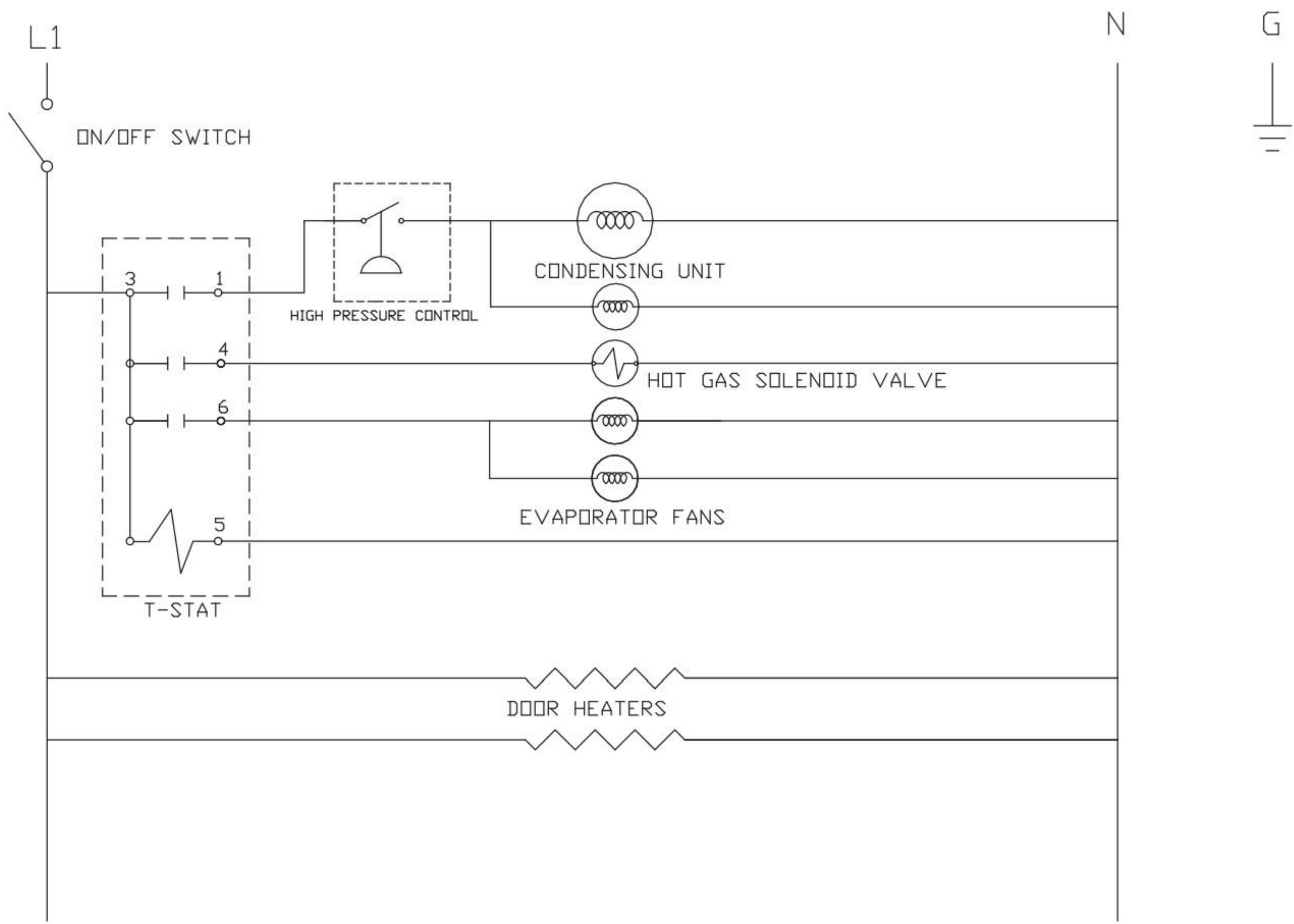
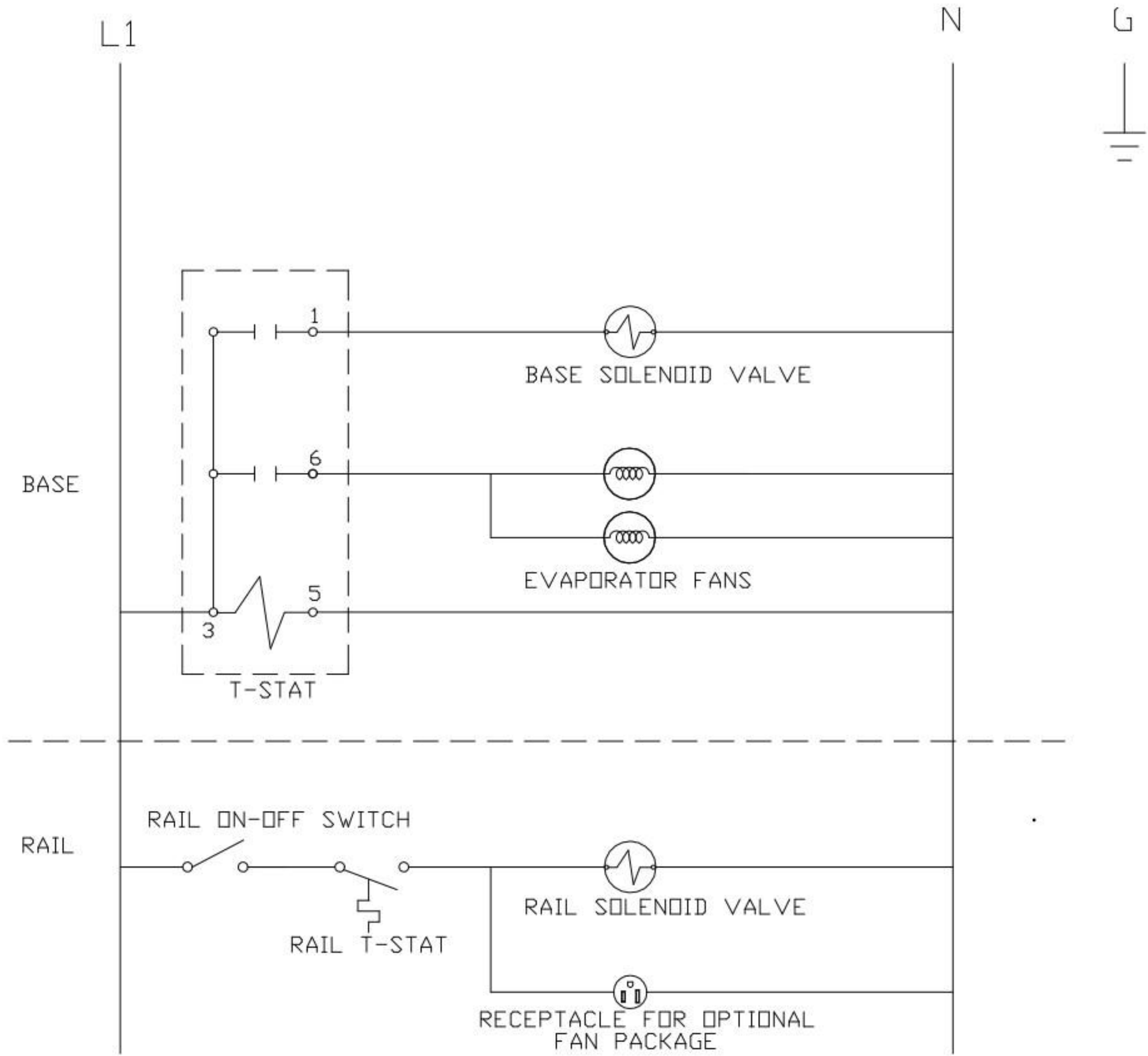
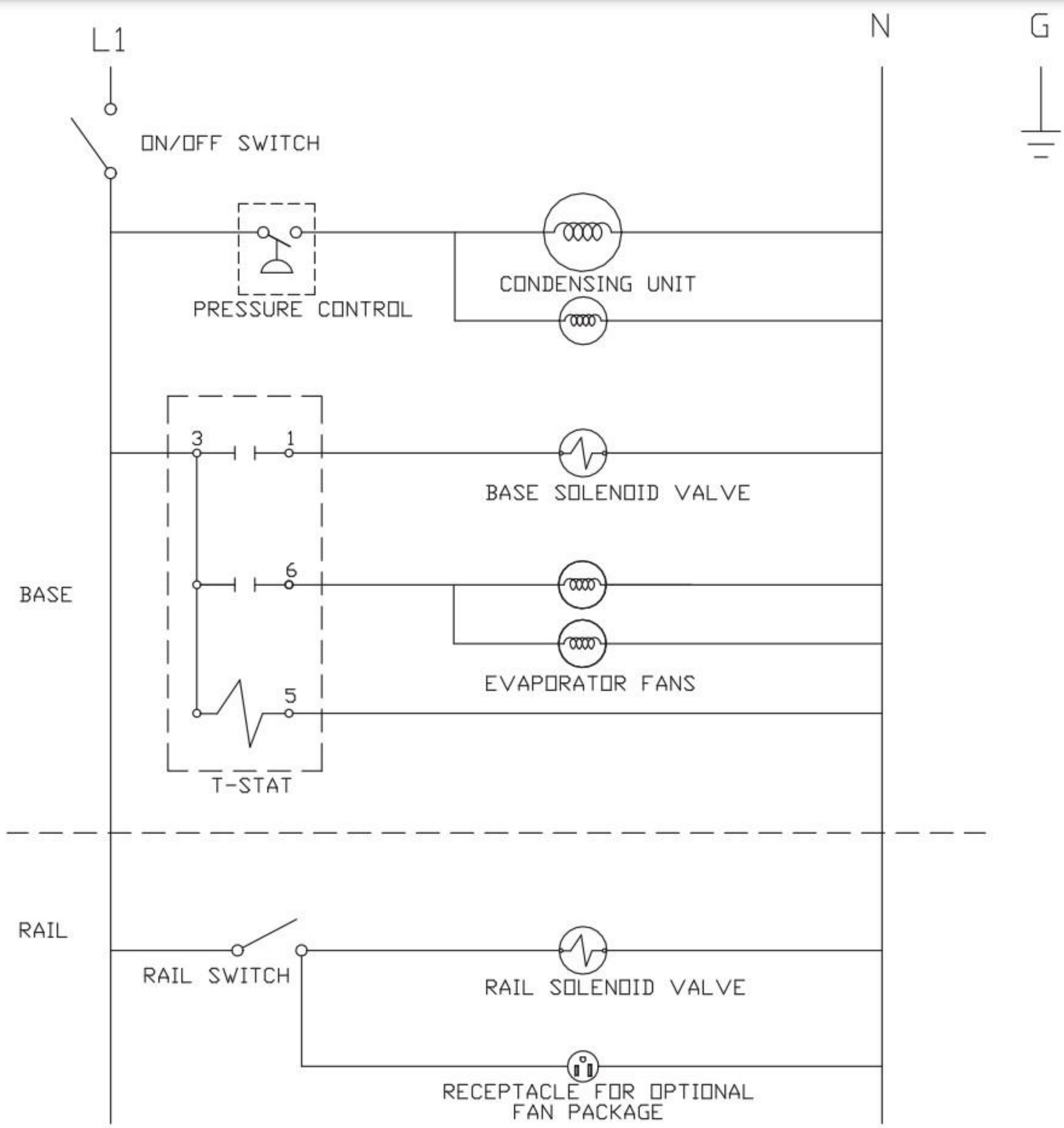


REMOTE FREEZER BASE



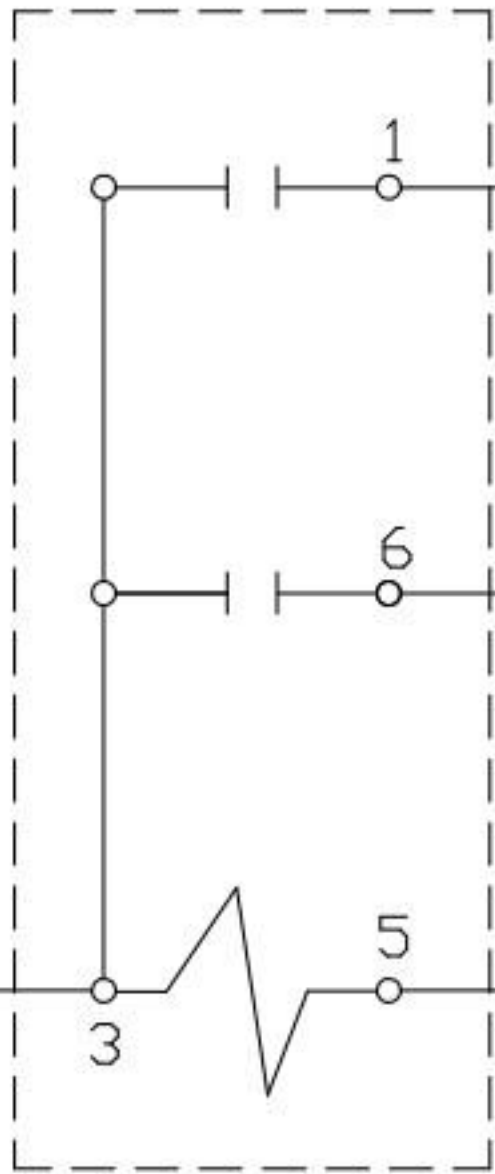




L1

N

G



T-STAT

BASE SOLENOID VALVE

EVAPORATOR FANS

REMOTE REFG BASE ONLY

