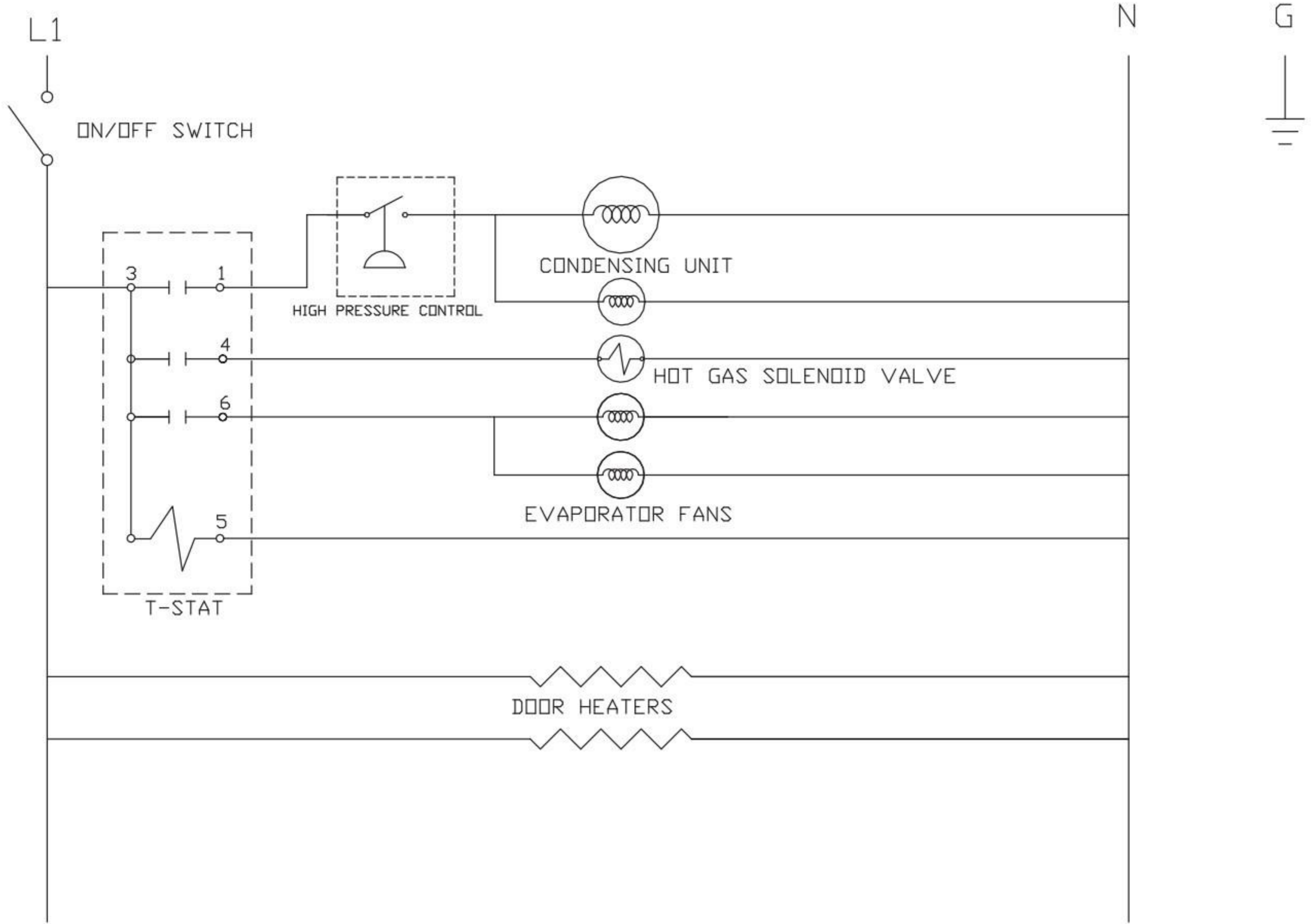


REMOTE FREEZER BASE



L1

N

G

ON/OFF SWITCH

HIGH PRESSURE CONTROL

CONDENSING UNIT

HOT GAS SOLENOID VALVE

EVAPORATOR FANS

T-STAT

DOOR HEATERS

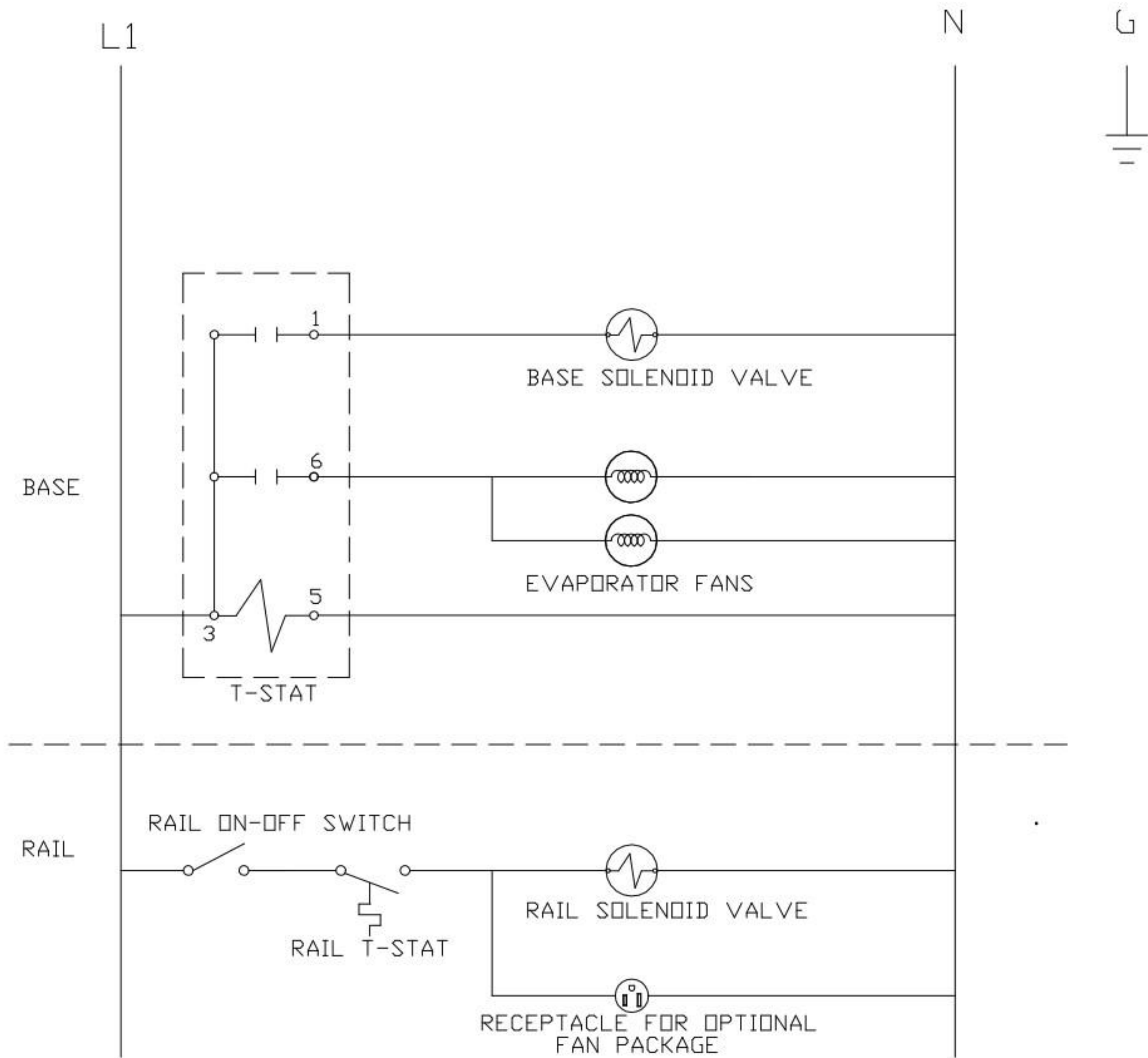
3

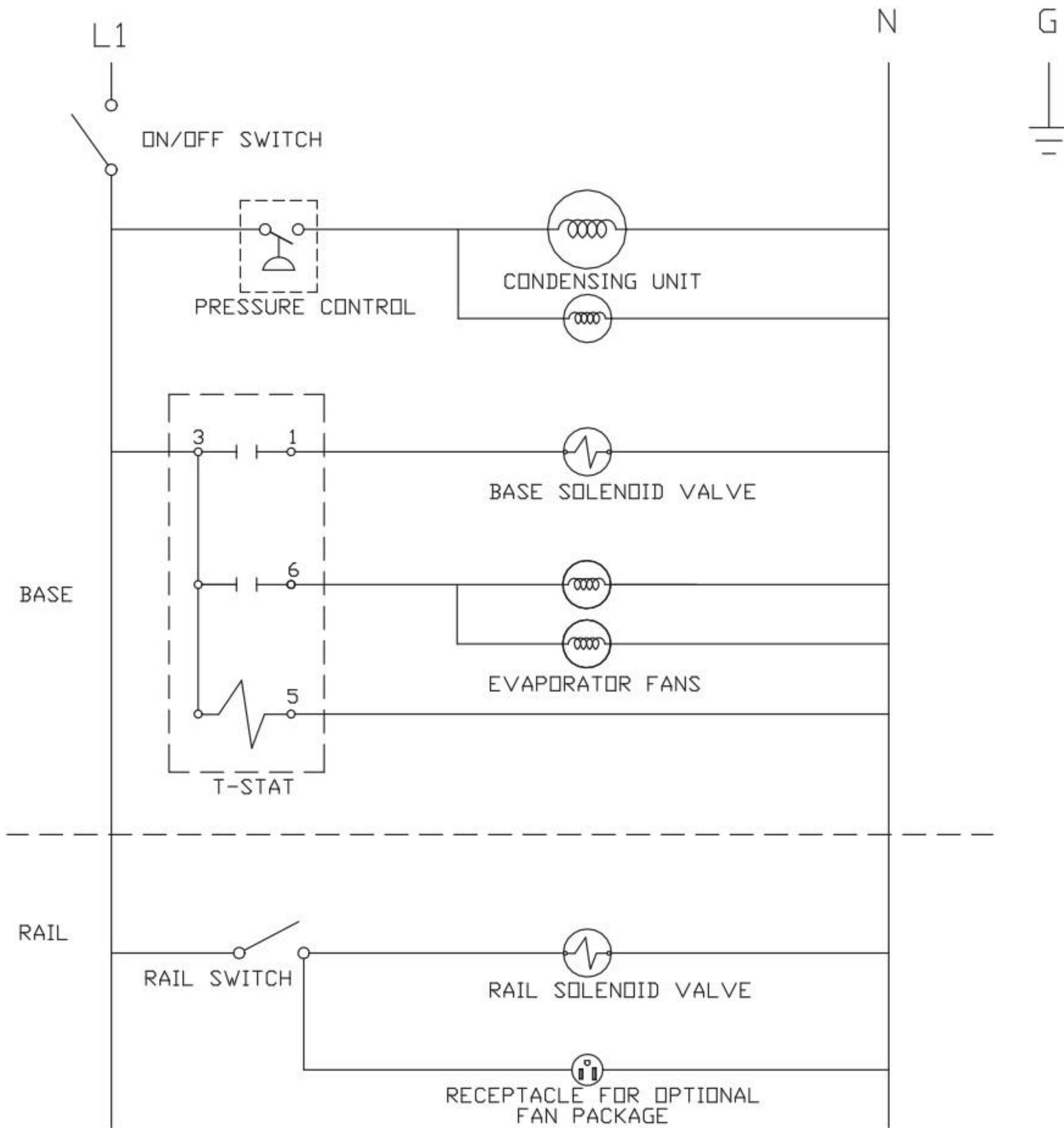
1

4

6

5

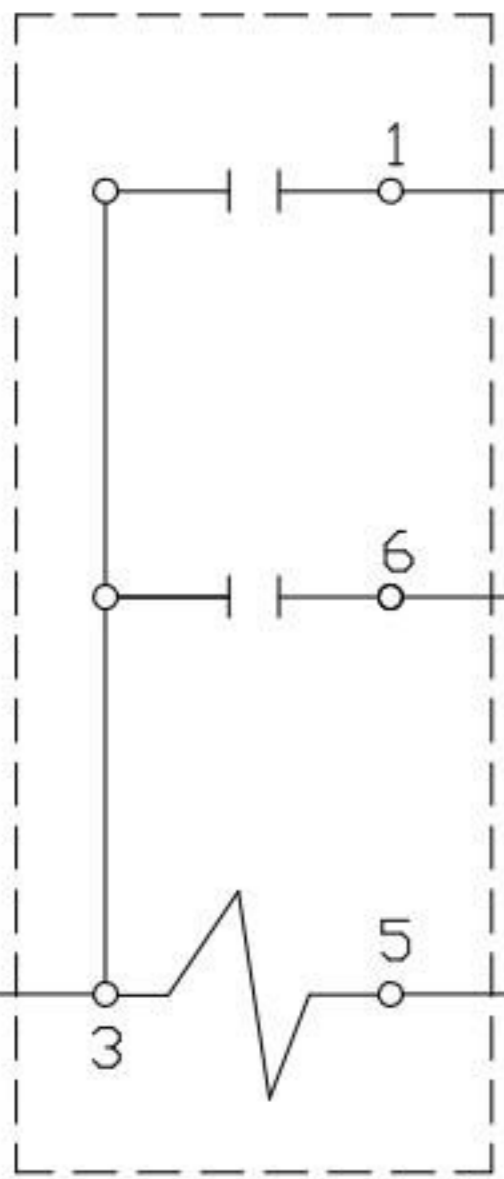




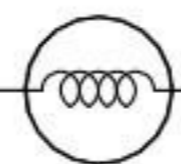
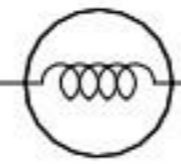
L1

N

G



BASE SOLENOID VALVE



EVAPORATOR FANS

REMOTE REFG BASE ONLY

