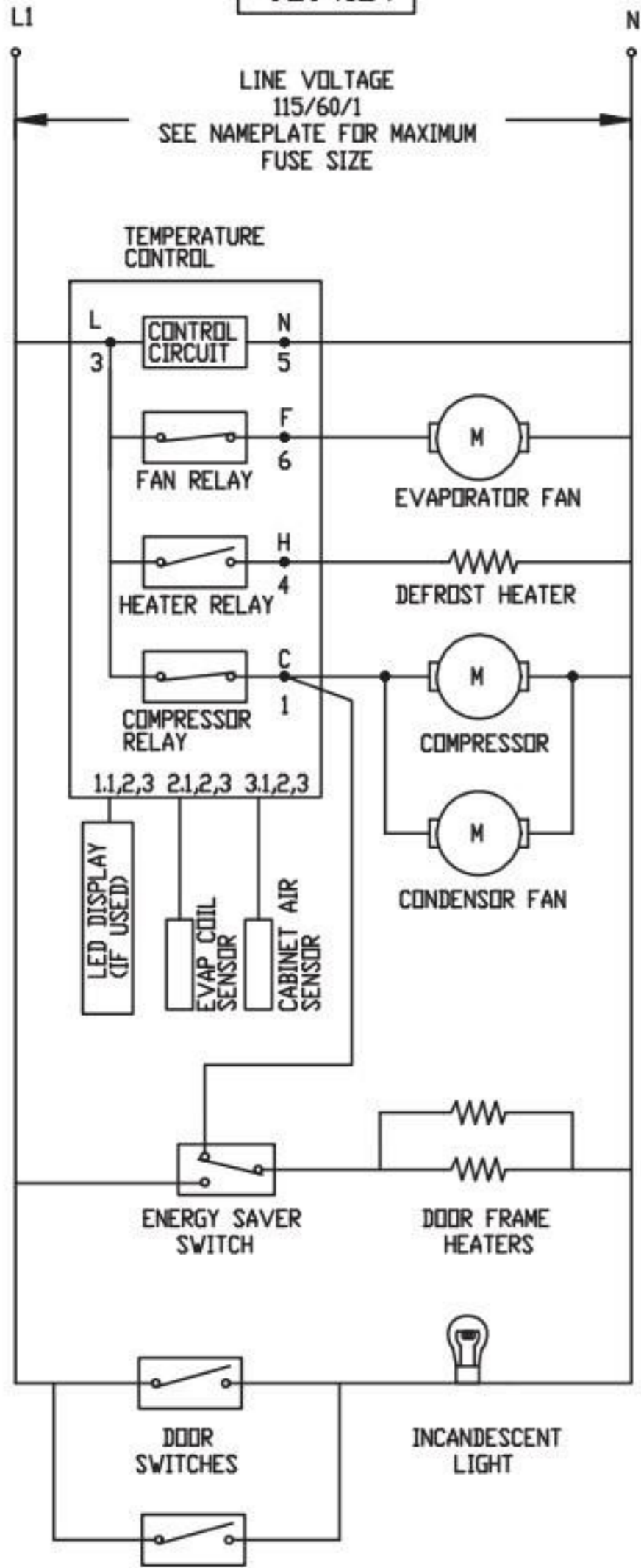
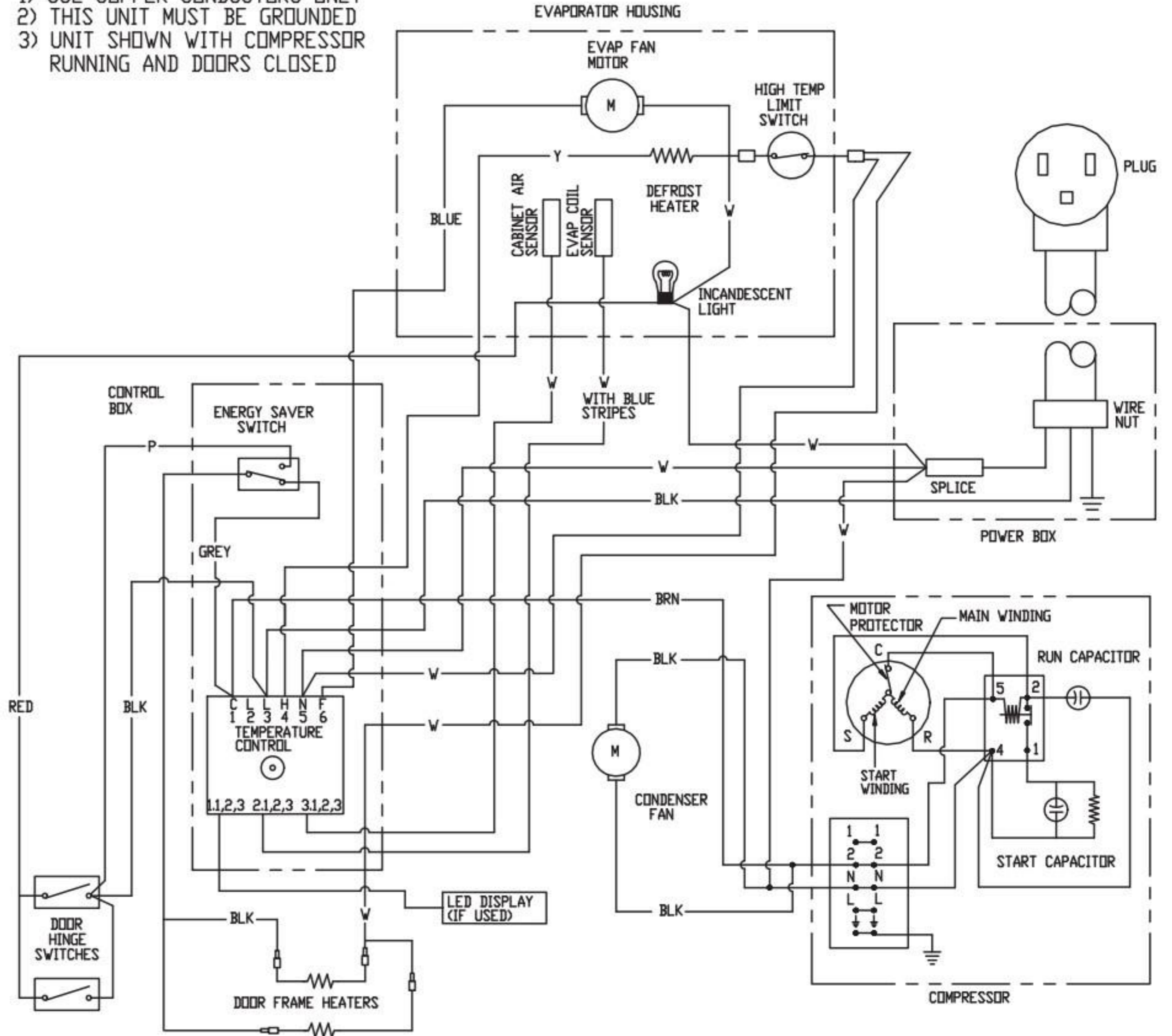


9294124

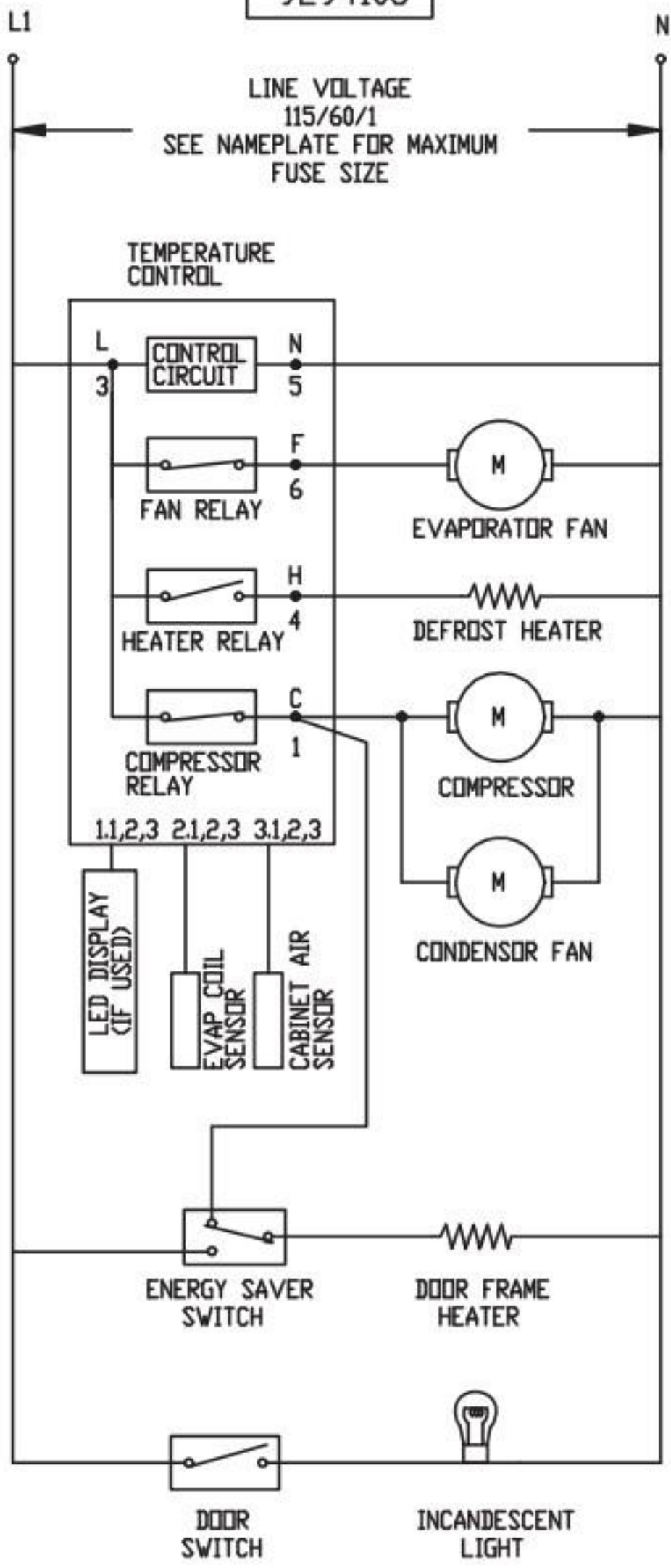


NOTES:

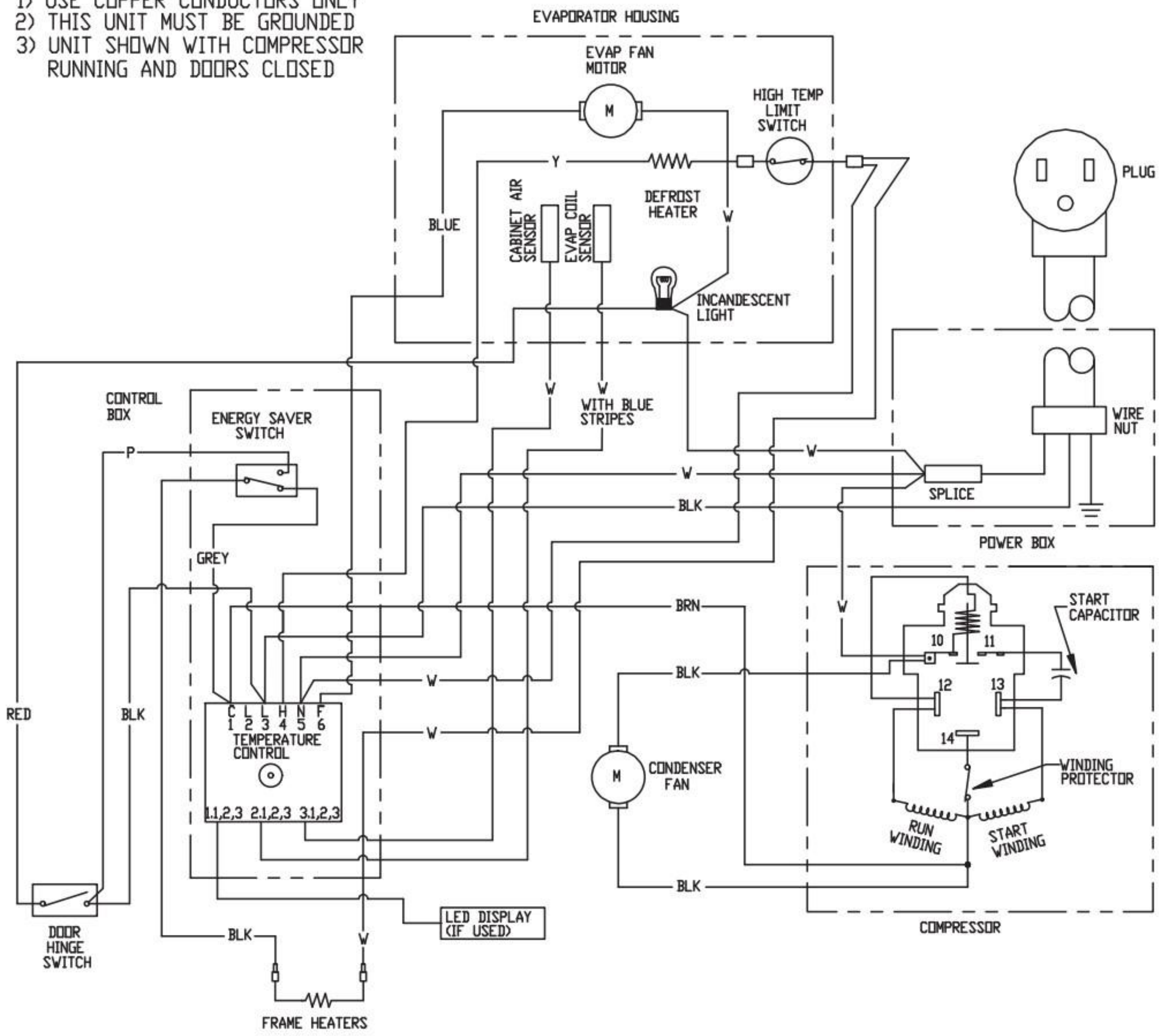
- 1) USE COPPER CONDUCTORS ONLY
- 2) THIS UNIT MUST BE GROUNDED
- 3) UNIT SHOWN WITH COMPRESSOR RUNNING AND DOORS CLOSED

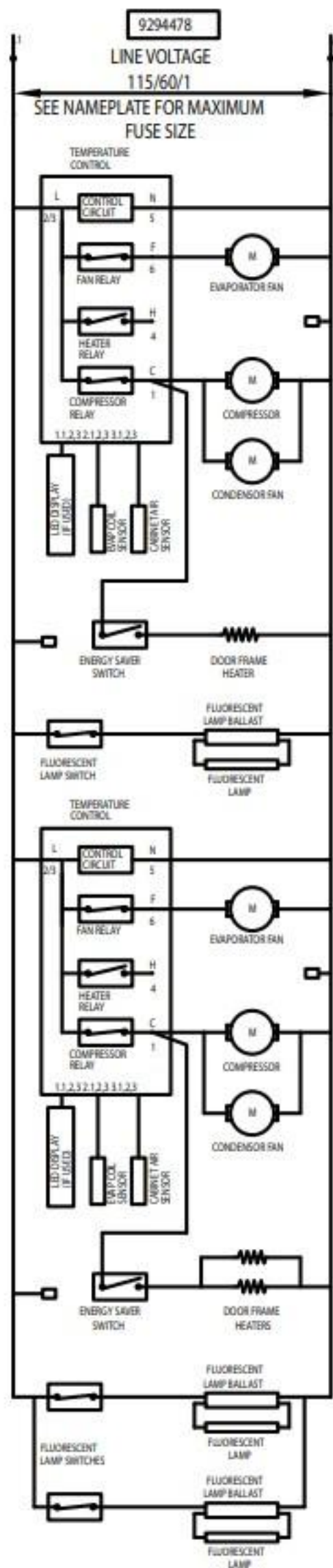


9294106



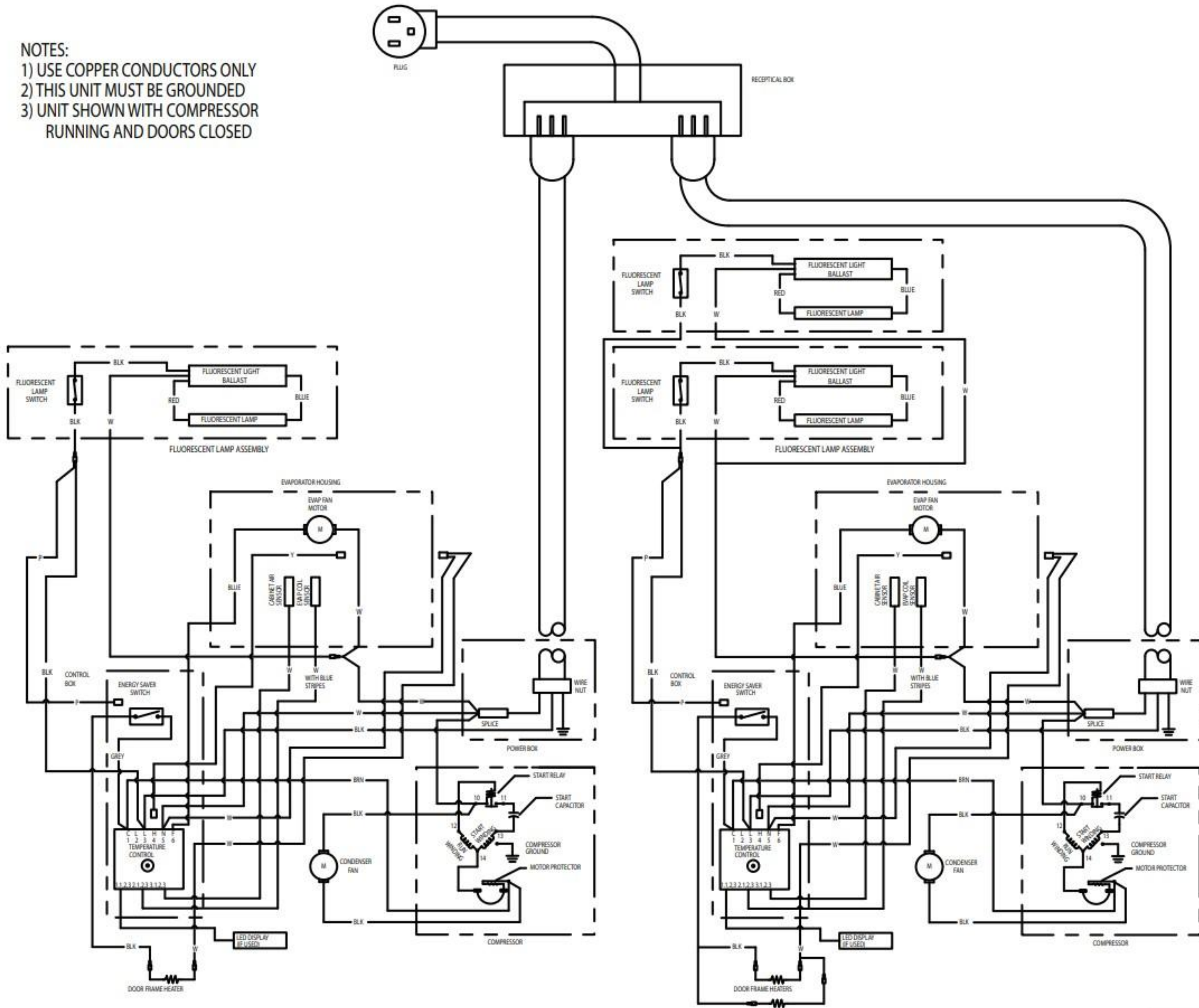
- NOTES:
 1) USE COPPER CONDUCTORS ONLY
 2) THIS UNIT MUST BE GROUNDED
 3) UNIT SHOWN WITH COMPRESSOR RUNNING AND DOORS CLOSED

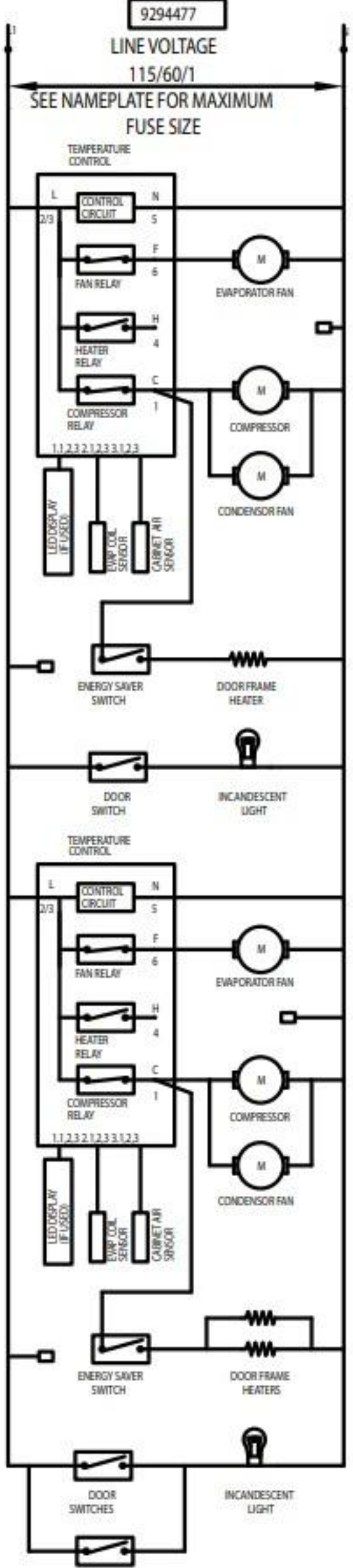




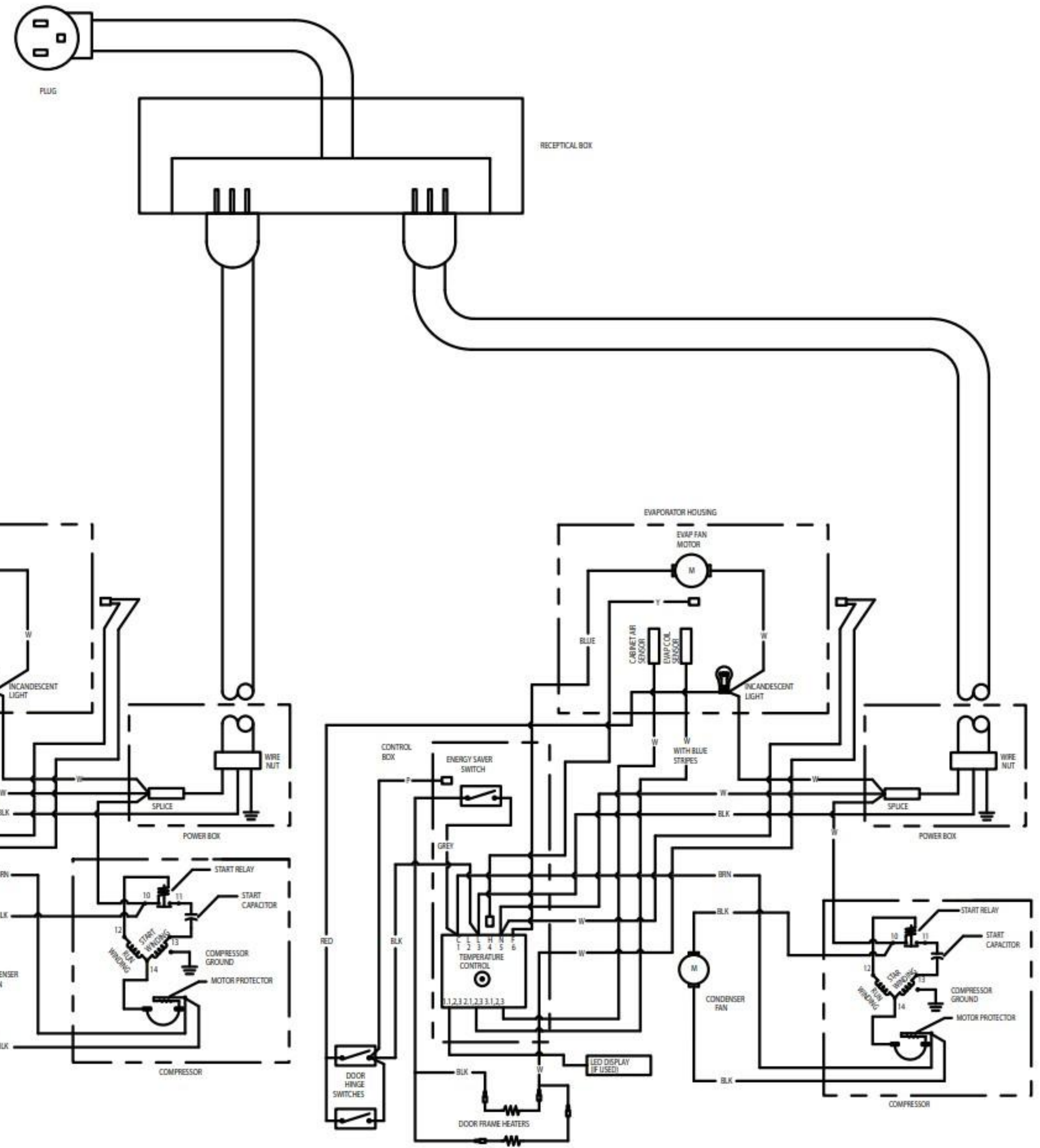
NOTES:

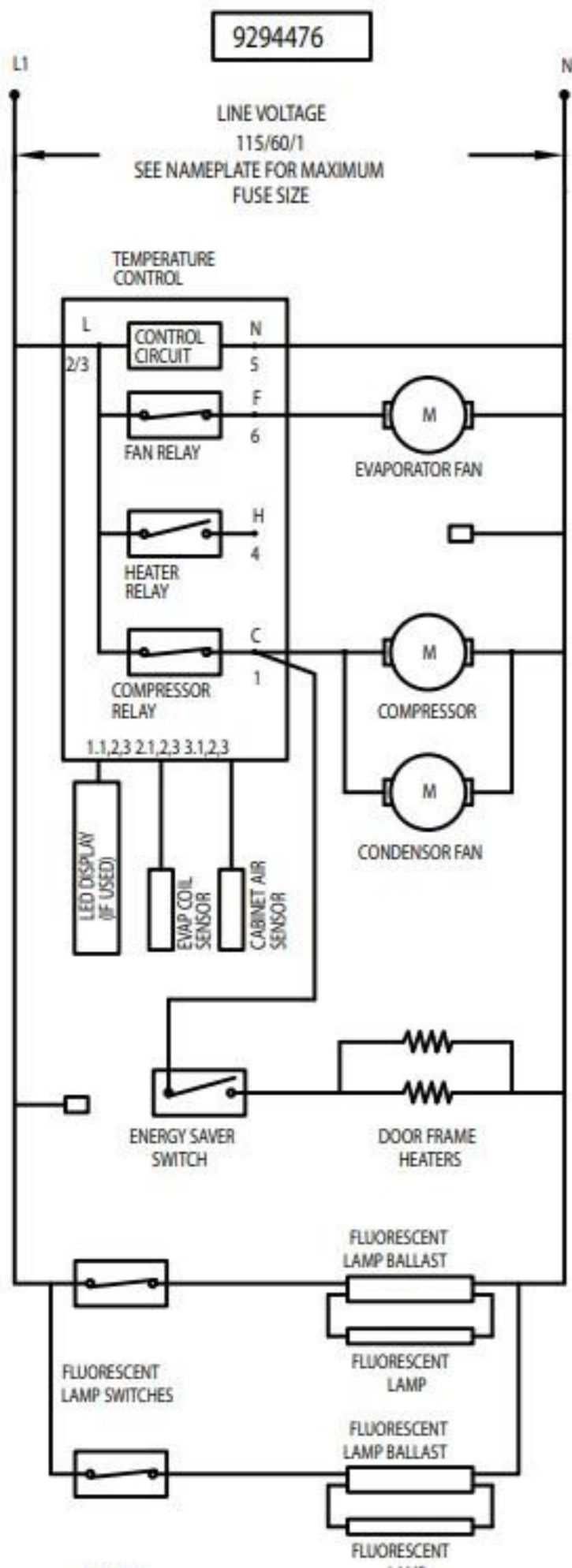
- 1) USE COPPER CONDUCTORS ONLY
- 2) THIS UNIT MUST BE GROUNDED
- 3) UNIT SHOWN WITH COMPRESSOR RUNNING AND DOORS CLOSED



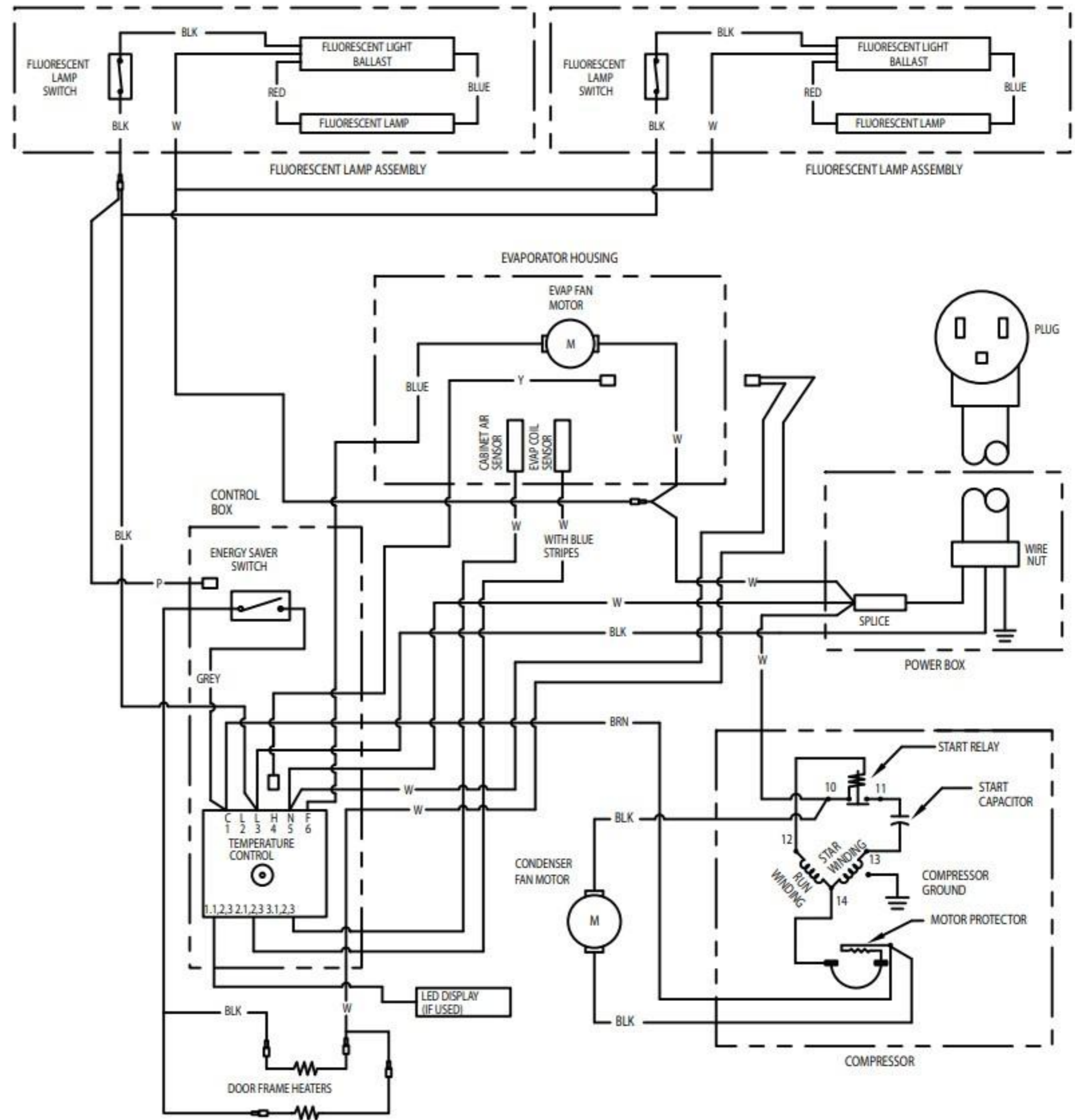


- NOTES:
 1) USE COPPER CONDUCTORS ONLY
 2) THIS UNIT MUST BE GROUNDED
 3) UNIT SHOWN WITH COMPRESSOR RUNNING AND DOORS CLOSED

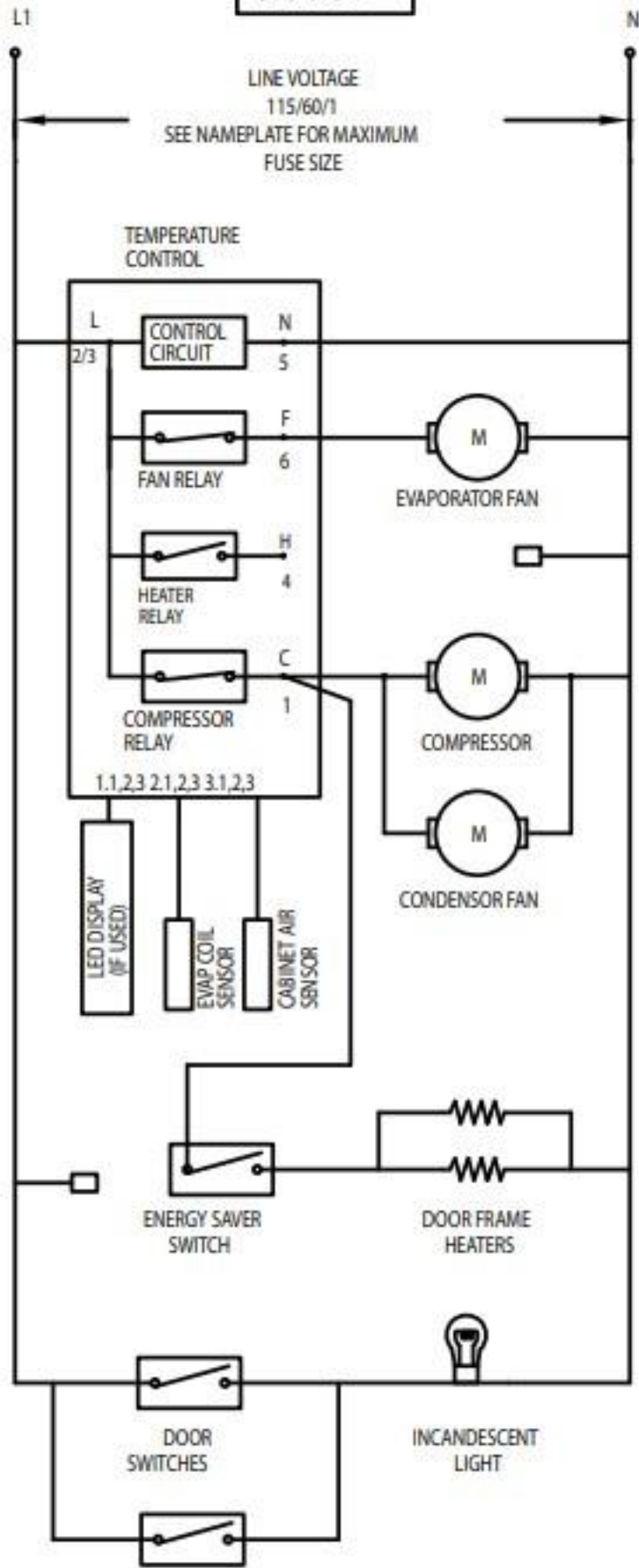




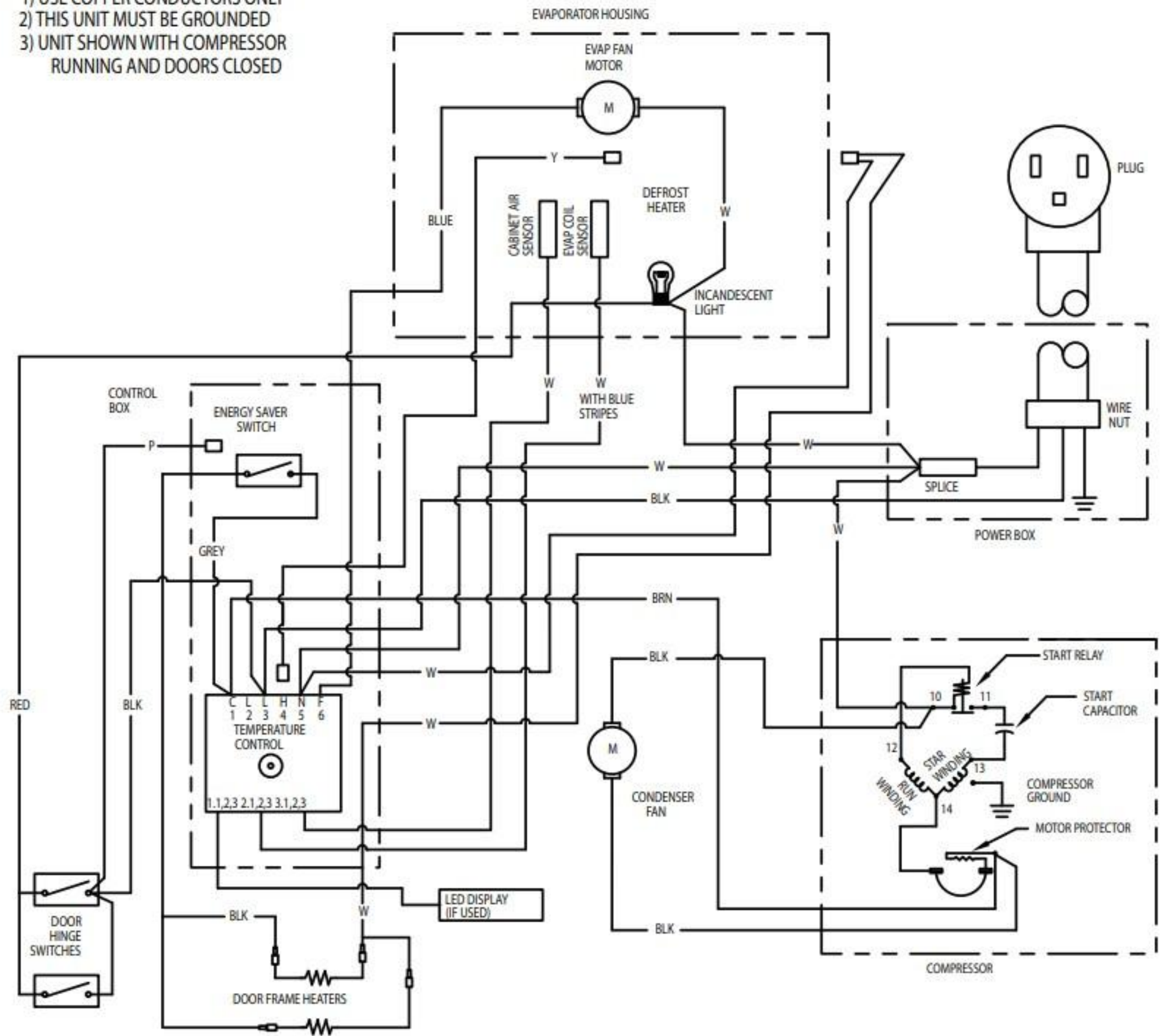
- NOTES:
 1) USE COPPER CONDUCTORS ONLY
 2) THIS UNIT MUST BE GROUNDED
 3) UNIT SHOWN WITH COMPRESSOR RUNNING AND DOORS CLOSED



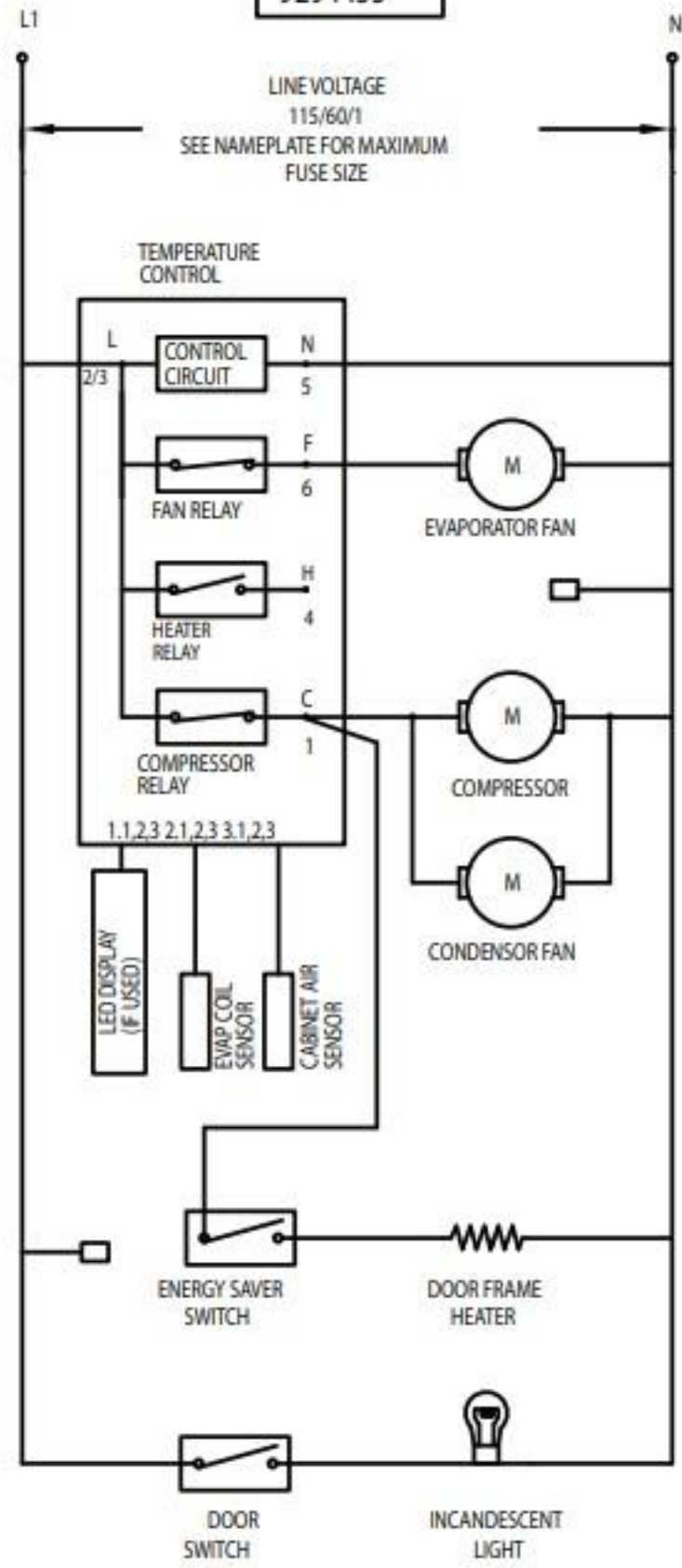
9294454



- NOTES:
- 1) USE COPPER CONDUCTORS ONLY
 - 2) THIS UNIT MUST BE GROUNDED
 - 3) UNIT SHOWN WITH COMPRESSOR RUNNING AND DOORS CLOSED



9294455



- NOTES:
 1) USE COPPER CONDUCTORS ONLY
 2) THIS UNIT MUST BE GROUNDED
 3) UNIT SHOWN WITH COMPRESSOR RUNNING AND DOORS CLOSED

