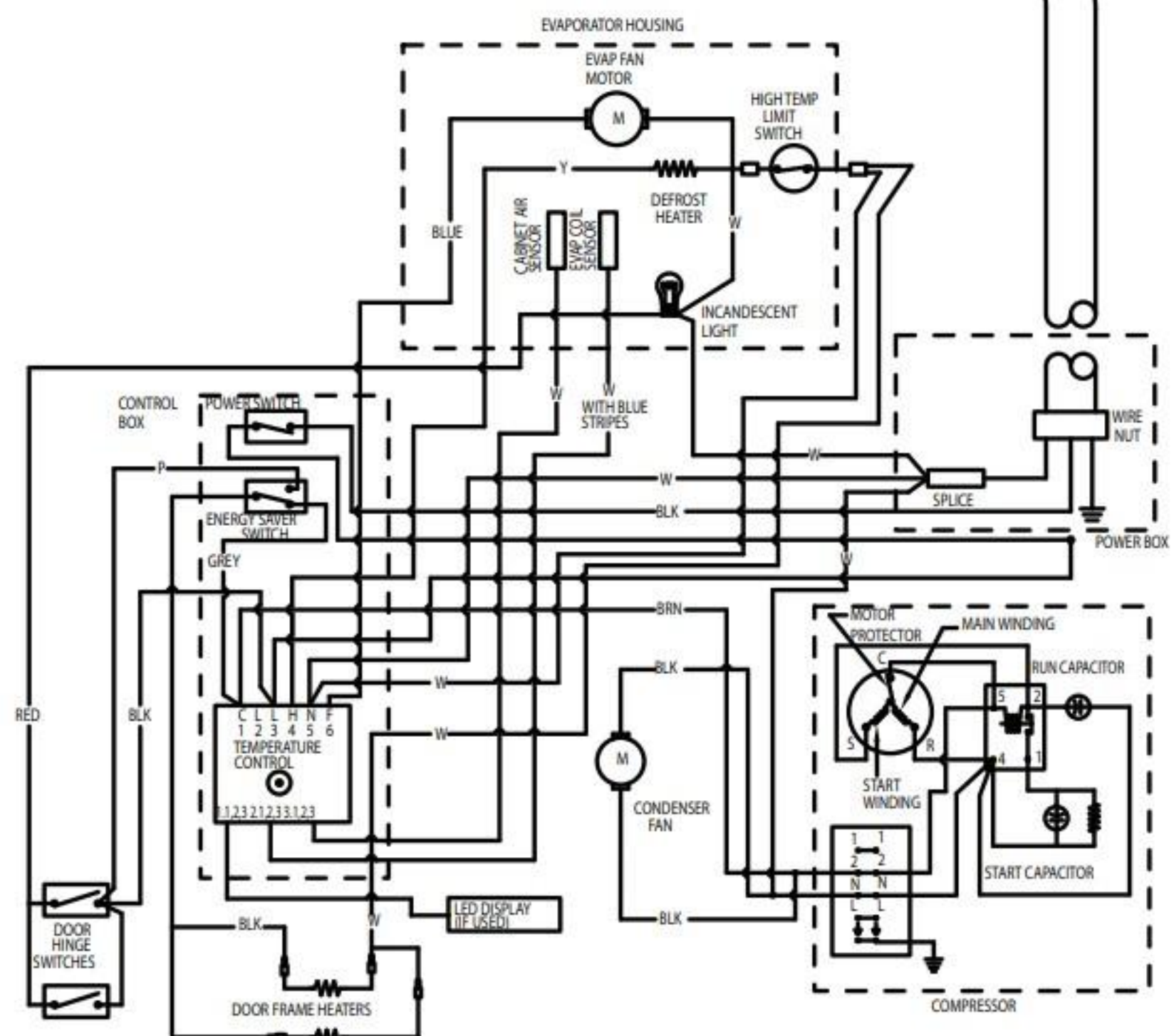
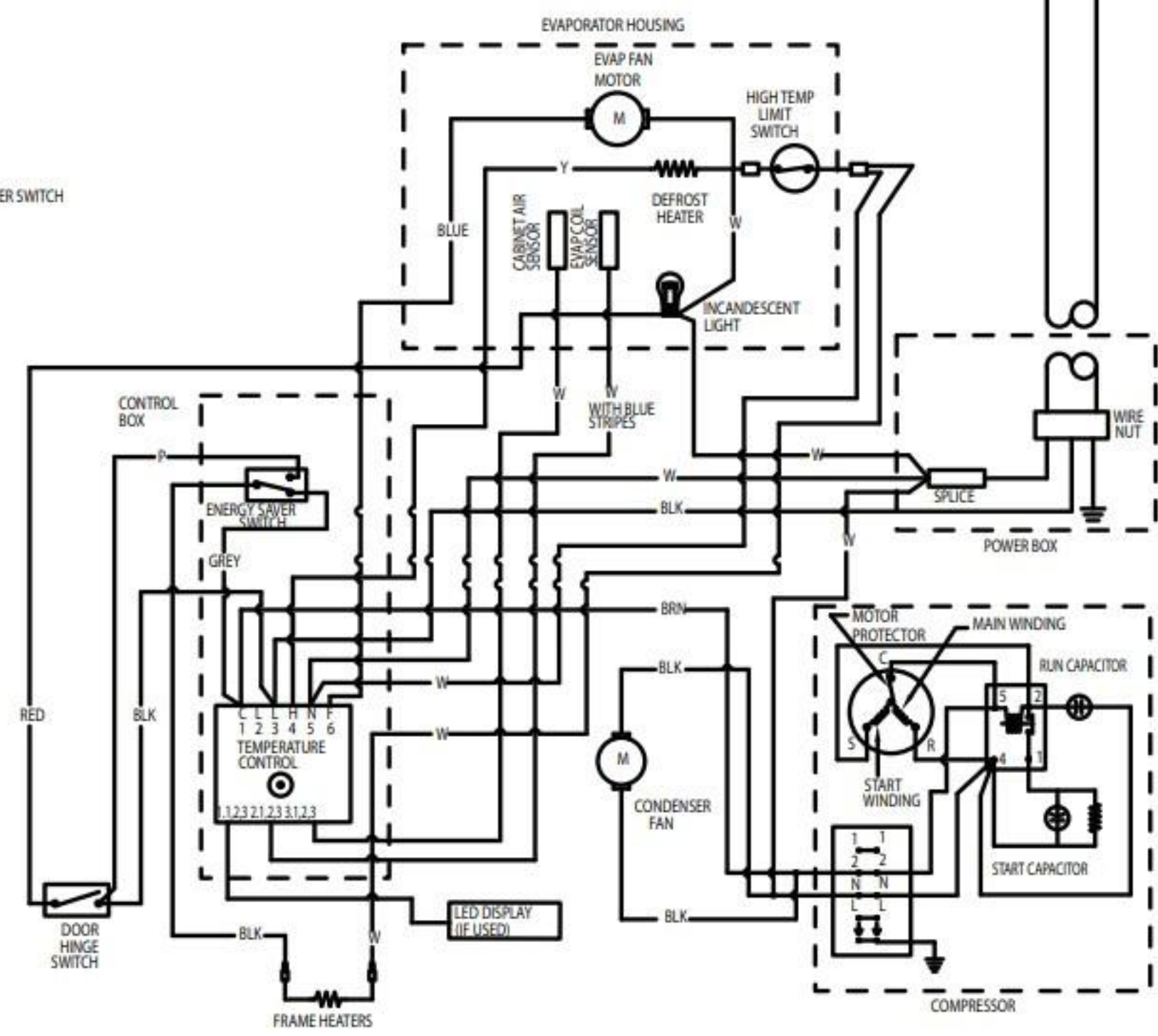
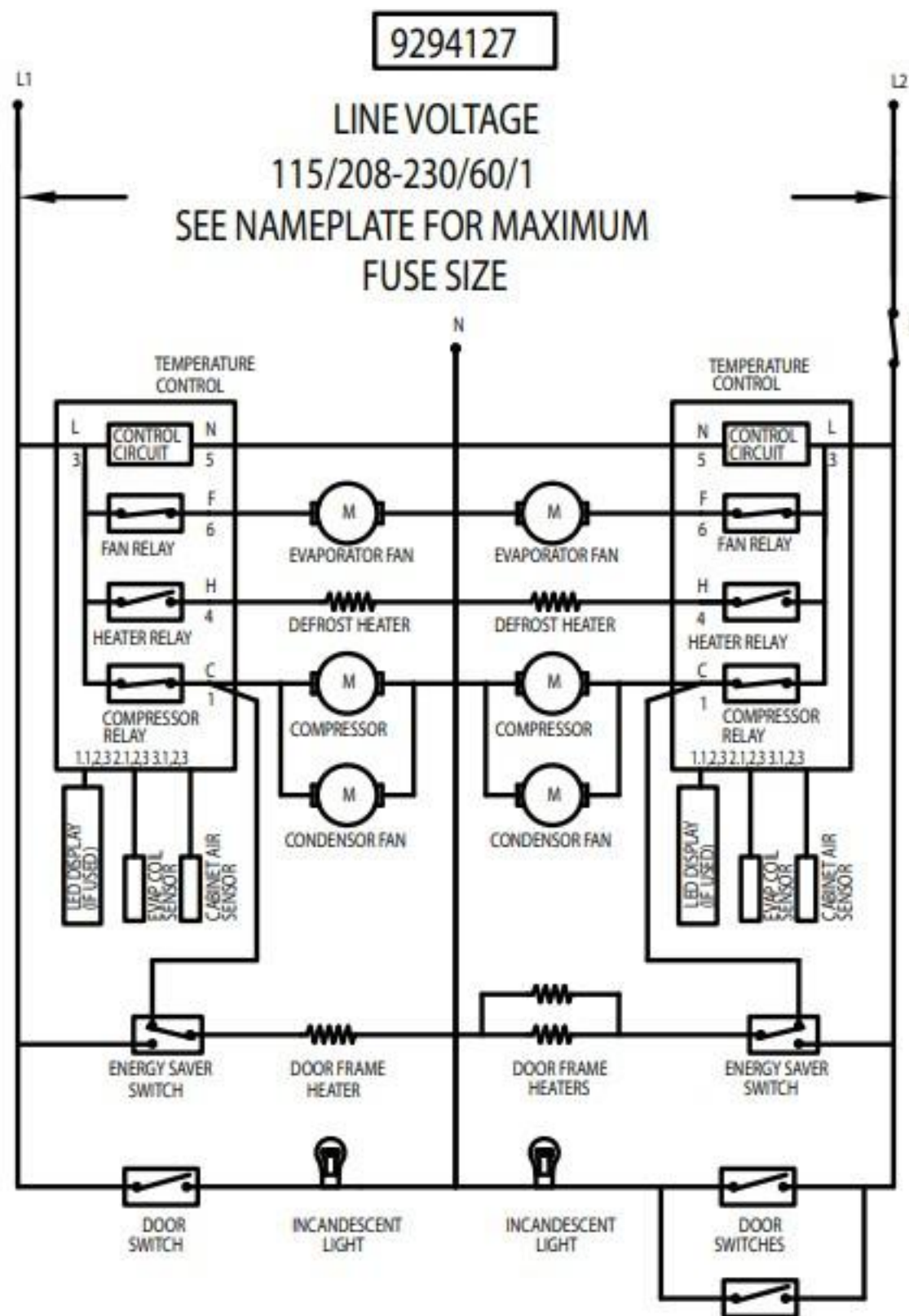
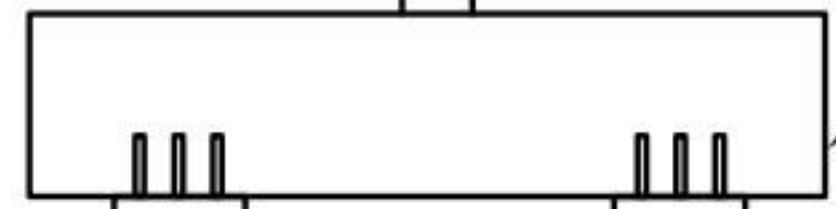
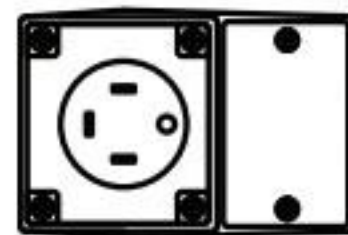


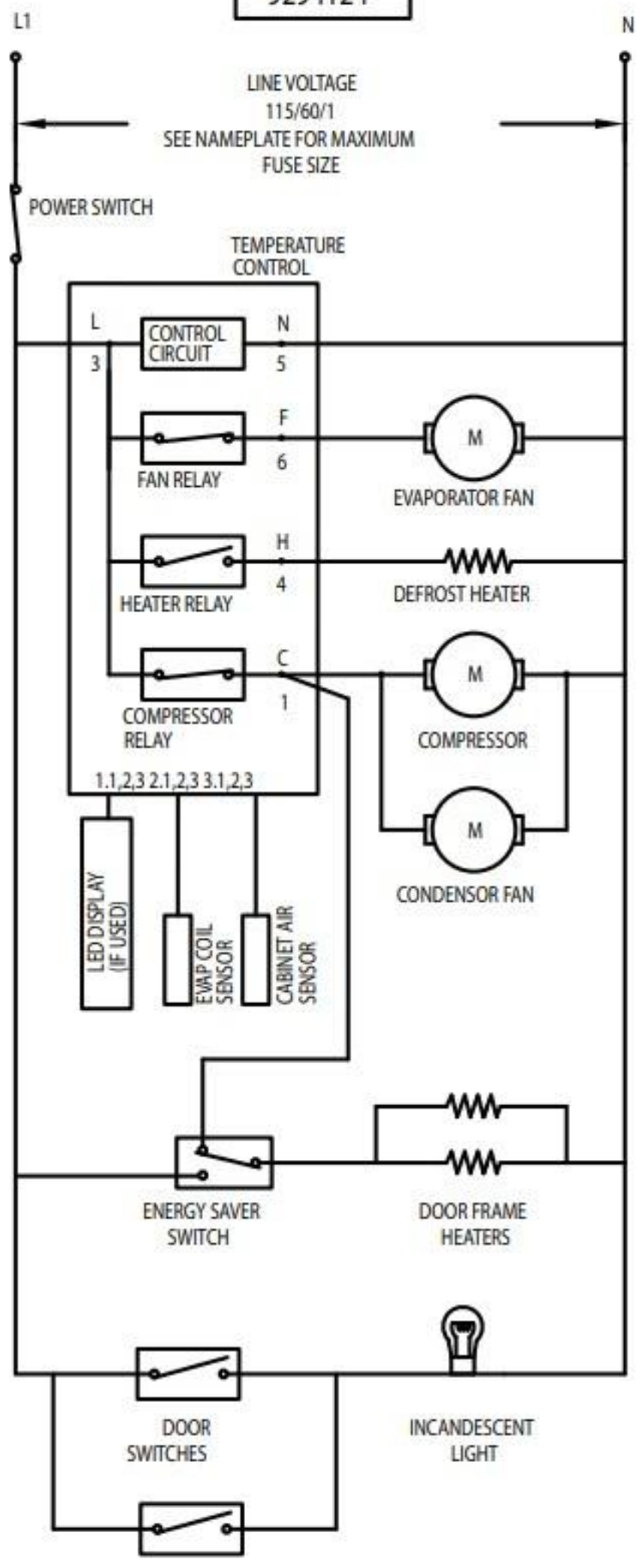
# 6176XL-S, 6176XL-SH

**NOTES:**

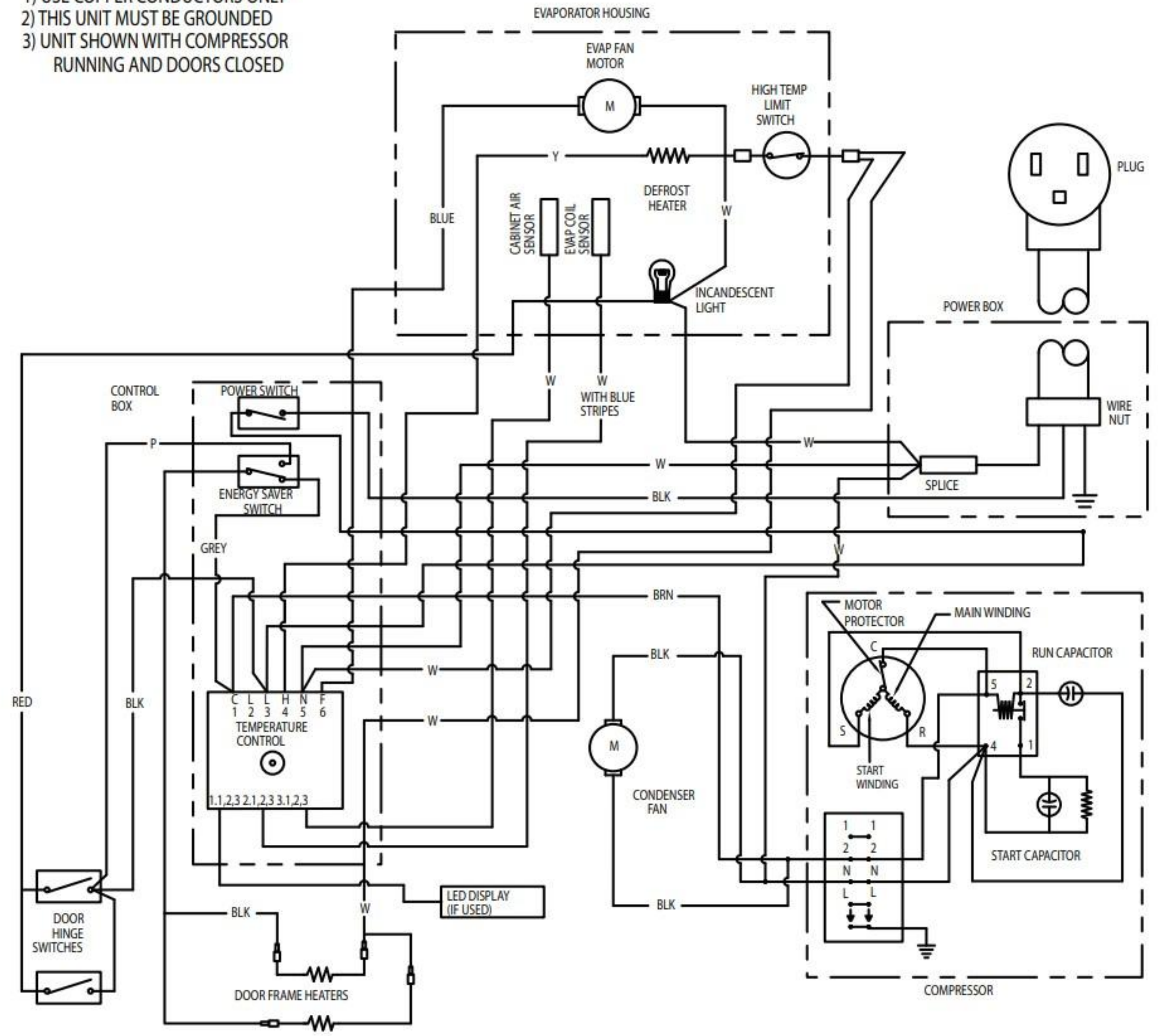
- 1) USE COPPER CONDUCTORS ONLY
- 2) THIS UNIT MUST BE GROUNDED
- 3) UNIT SHOWN WITH COMPRESSOR RUNNING AND DOORS CLOSED



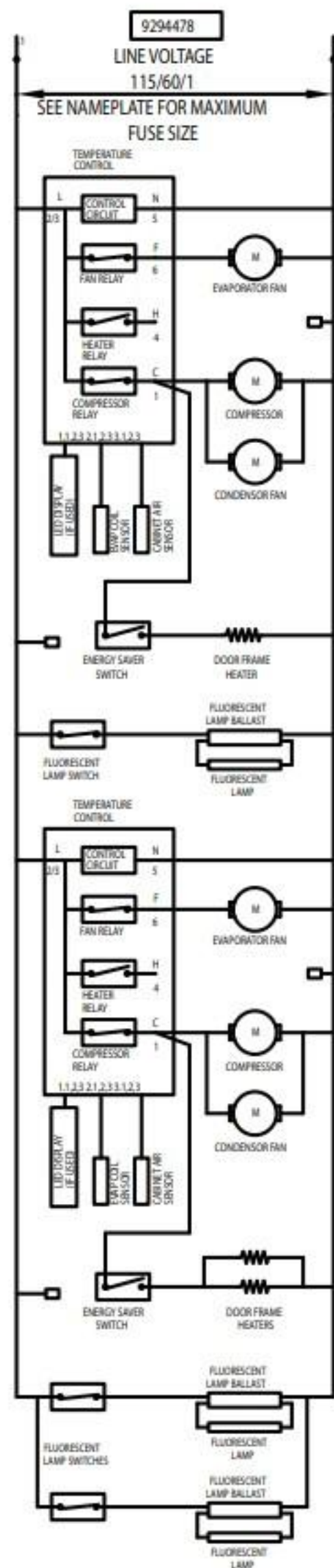
9294124



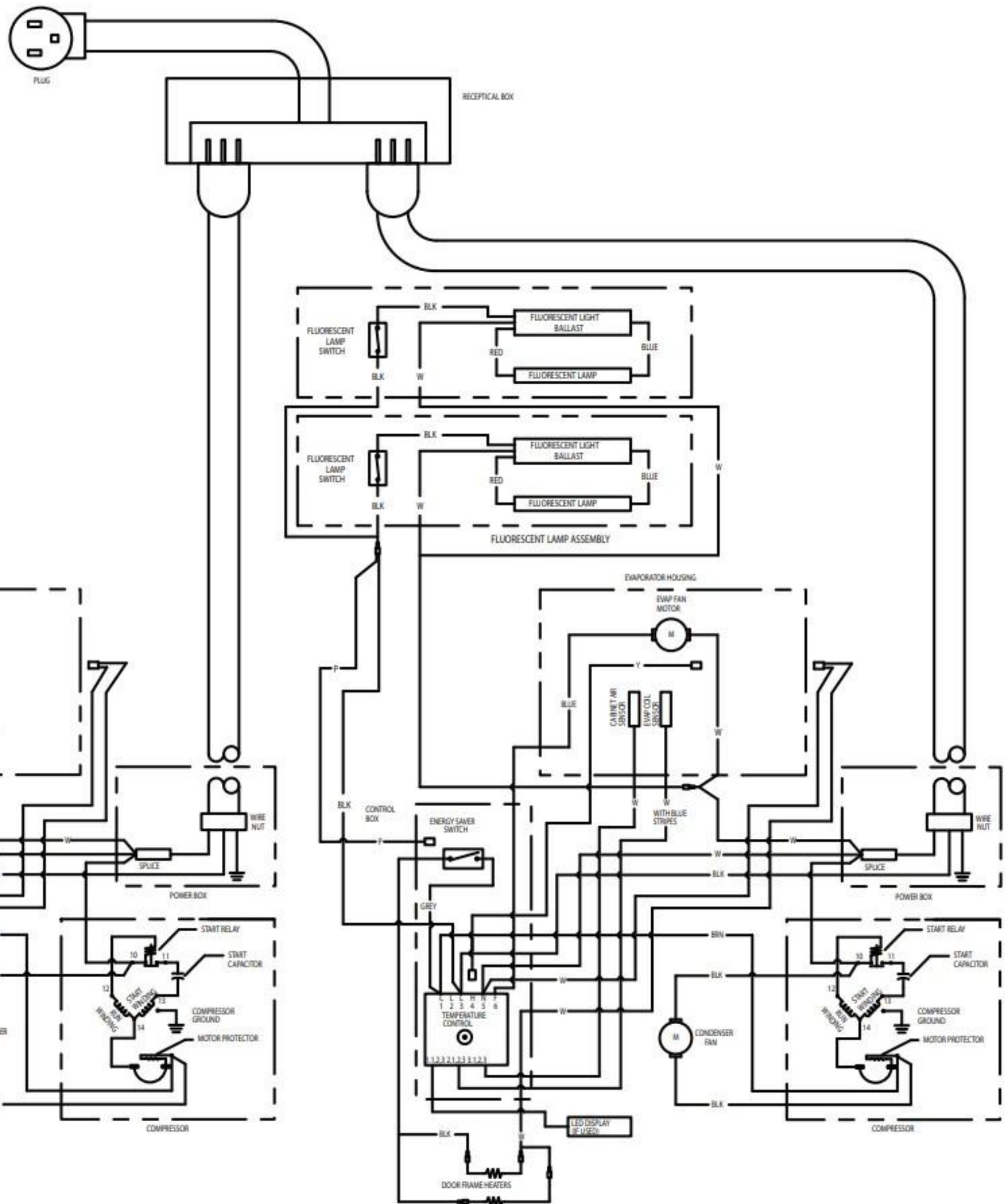
- NOTES:  
 1) USE COPPER CONDUCTORS ONLY  
 2) THIS UNIT MUST BE GROUNDED  
 3) UNIT SHOWN WITH COMPRESSOR RUNNING AND DOORS CLOSED

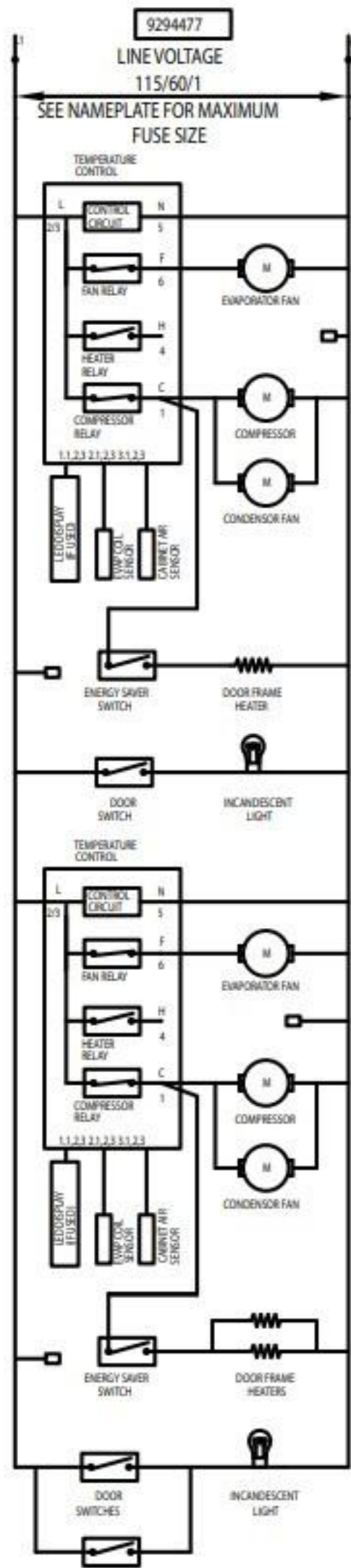




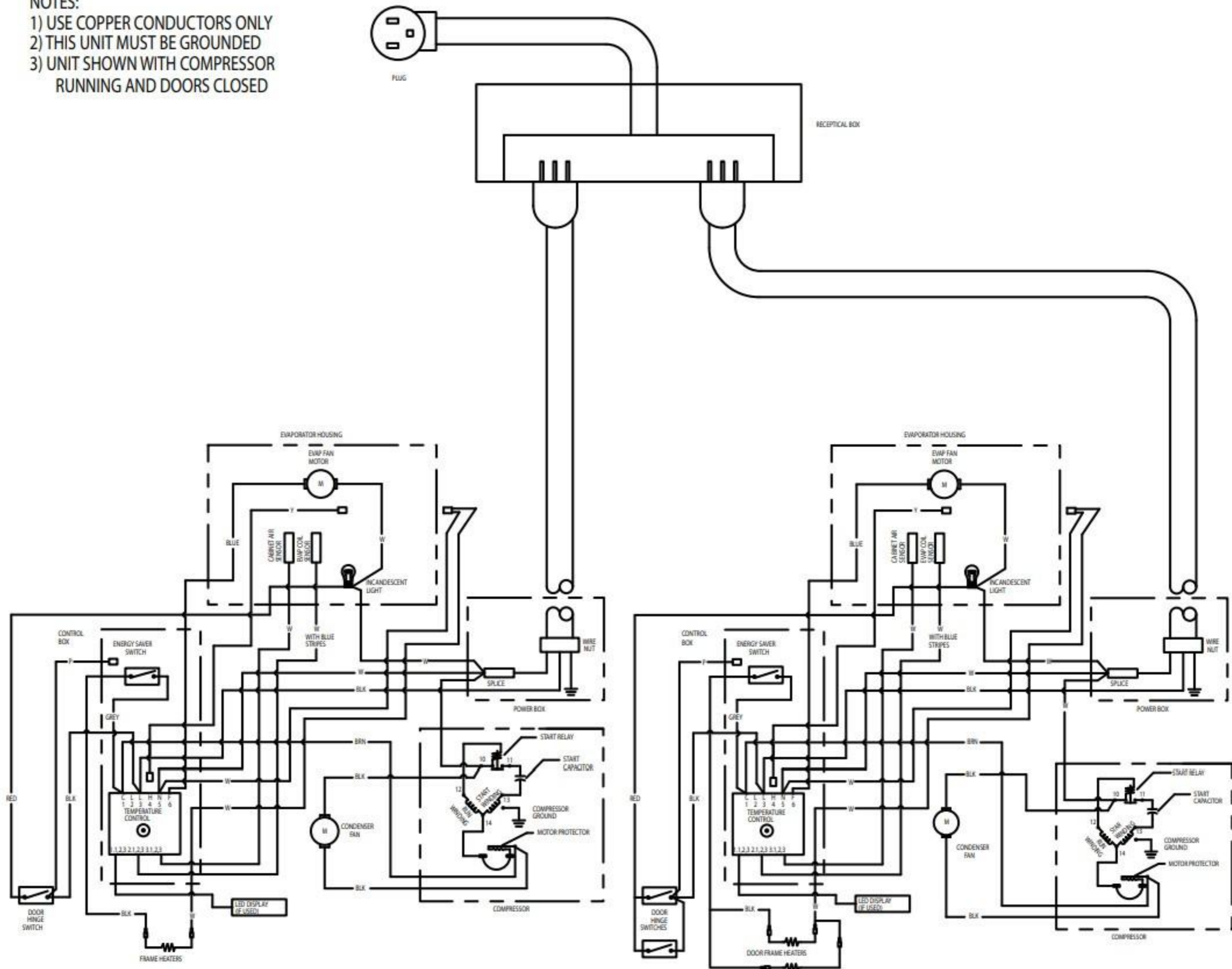


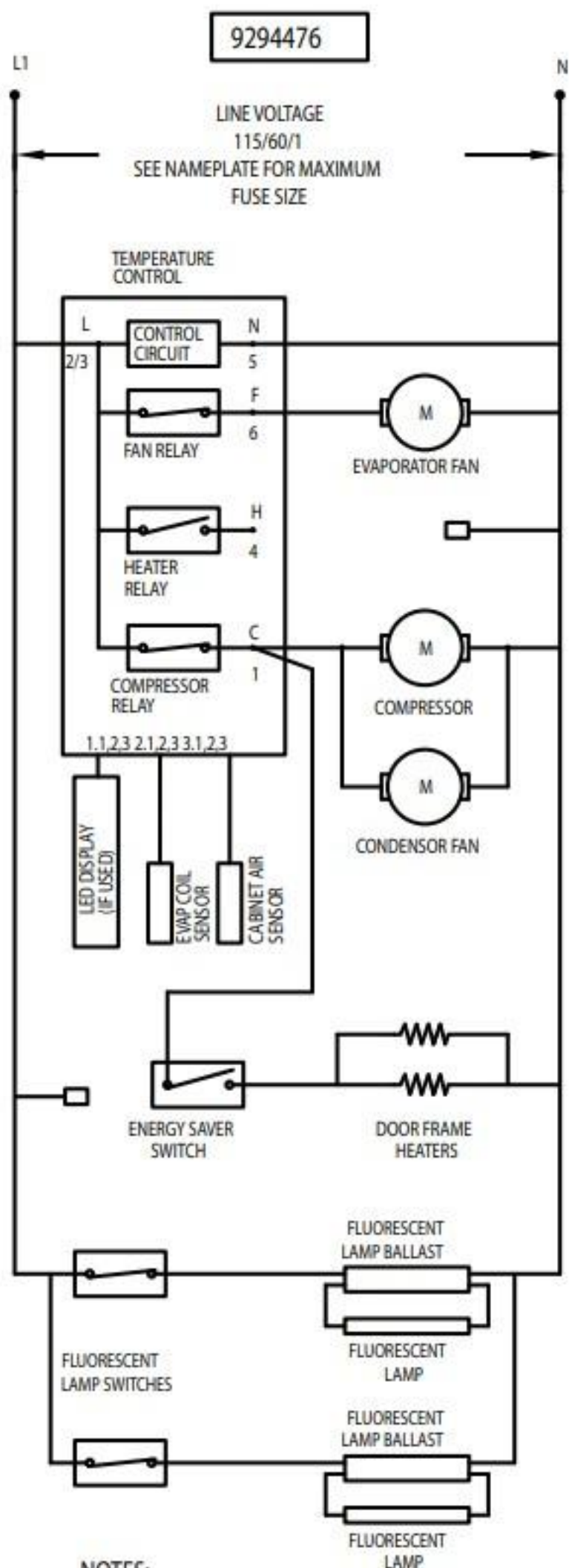
- NOTES:
- 1) USE COPPER CONDUCTORS ONLY
  - 2) THIS UNIT MUST BE GROUNDED
  - 3) UNIT SHOWN WITH COMPRESSOR RUNNING AND DOORS CLOSED



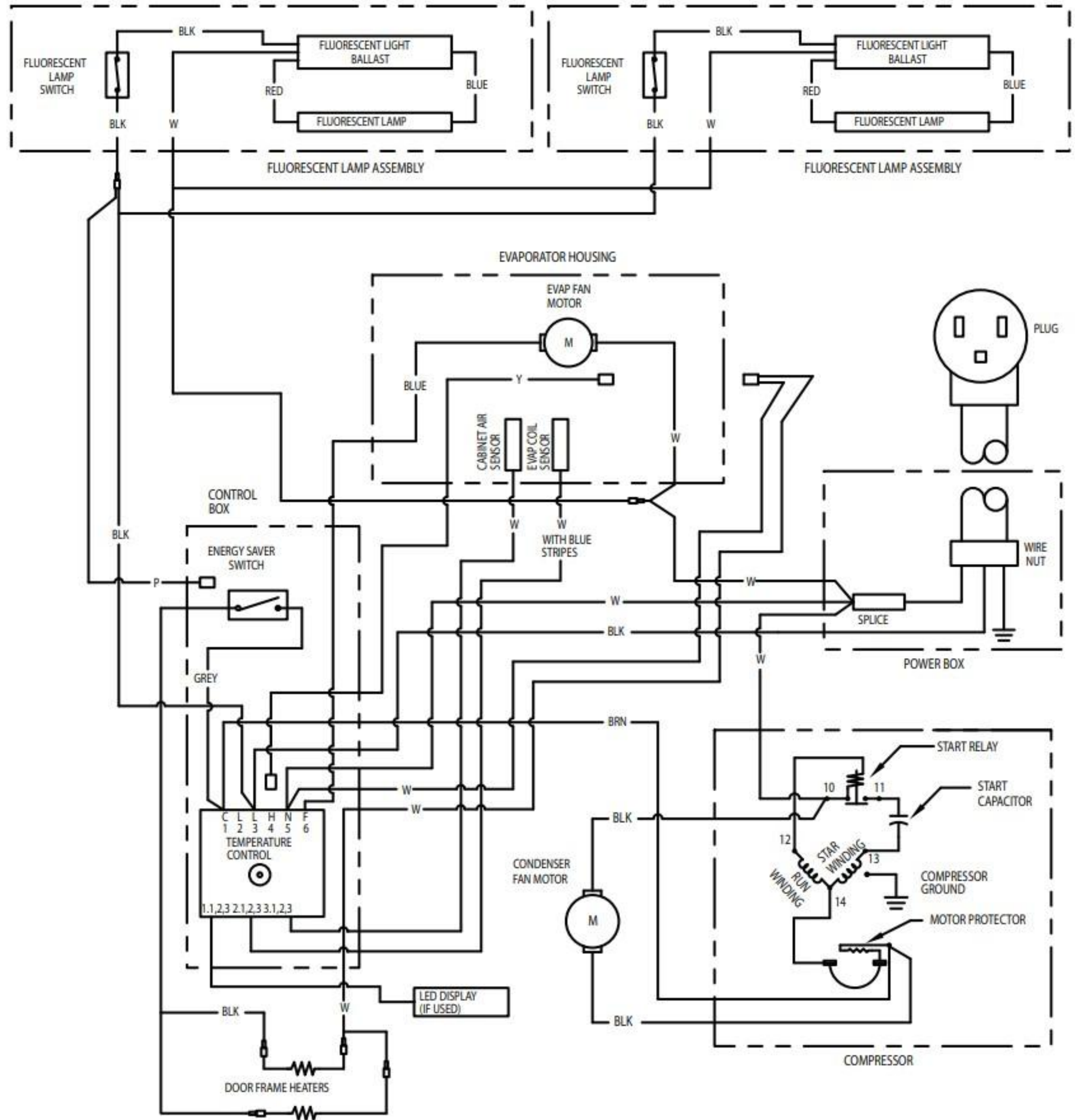


- NOTES:
- 1) USE COPPER CONDUCTORS ONLY
  - 2) THIS UNIT MUST BE GROUNDDED
  - 3) UNIT SHOWN WITH COMPRESSOR RUNNING AND DOORS CLOSED

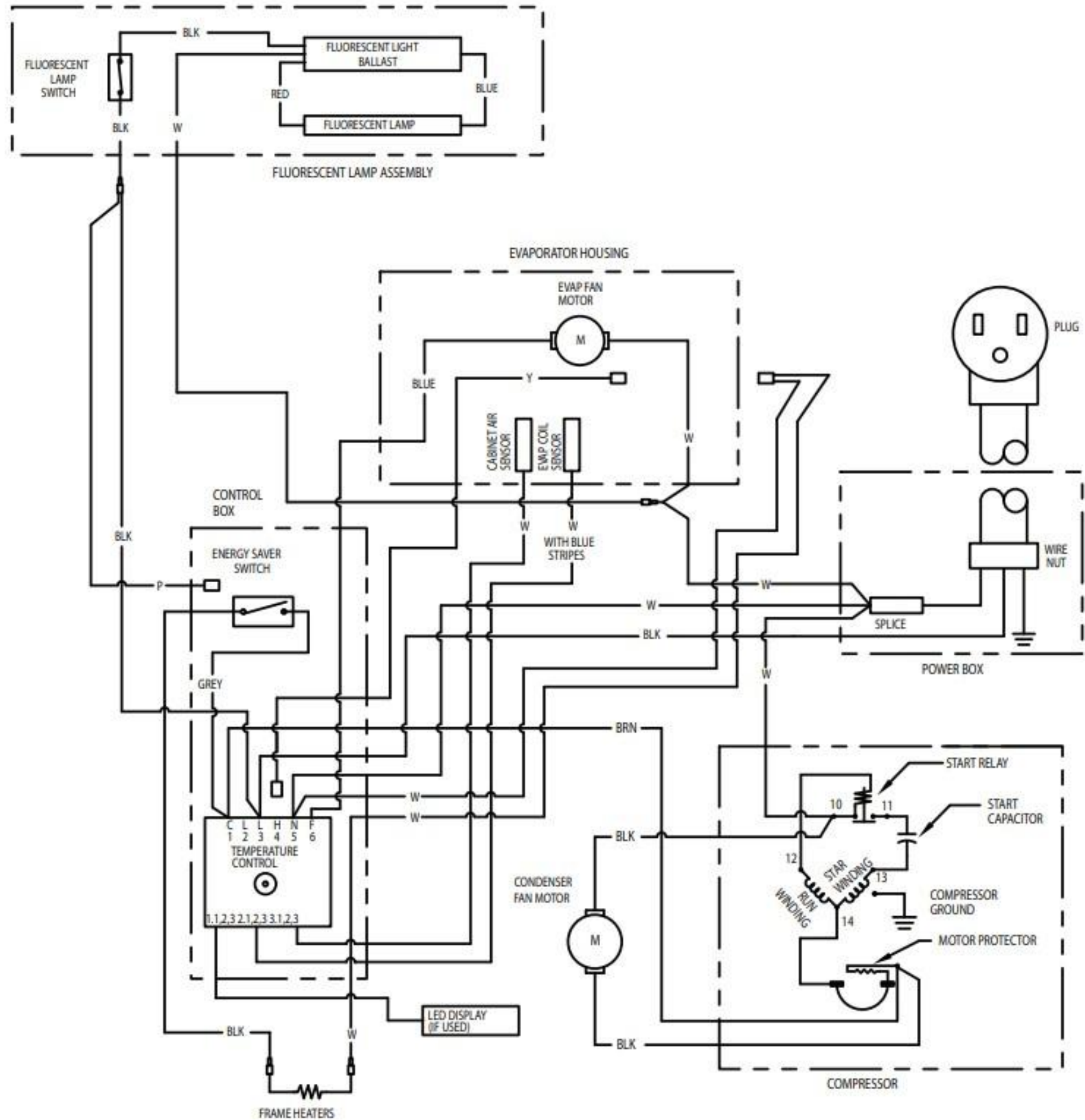
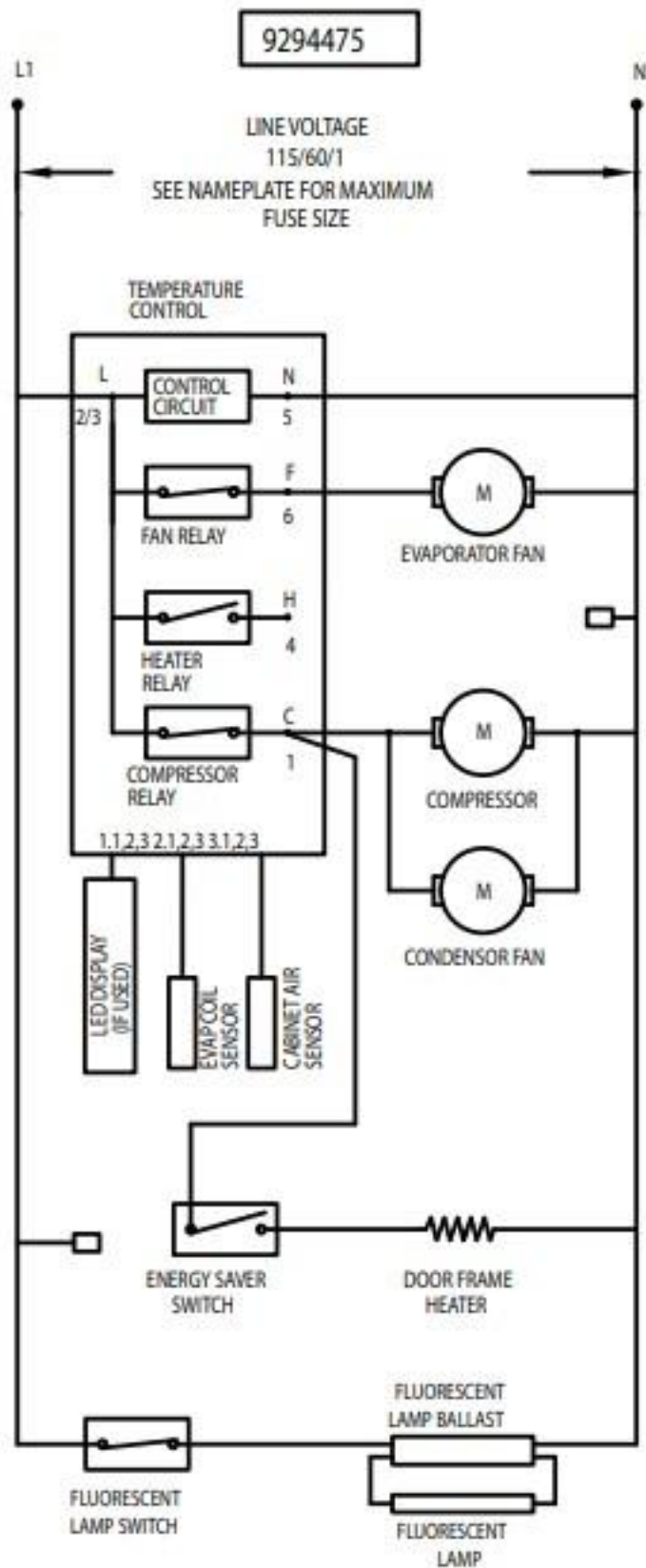




- NOTES:
- 1) USE COPPER CONDUCTORS ONLY
  - 2) THIS UNIT MUST BE GROUNDED
  - 3) UNIT SHOWN WITH COMPRESSOR RUNNING AND DOORS CLOSED







- NOTES:
- 1) USE COPPER CONDUCTORS ONLY
  - 2) THIS UNIT MUST BE GROUNDED
  - 3) UNIT SHOWN WITH COMPRESSOR RUNNING AND DOORS CLOSED

