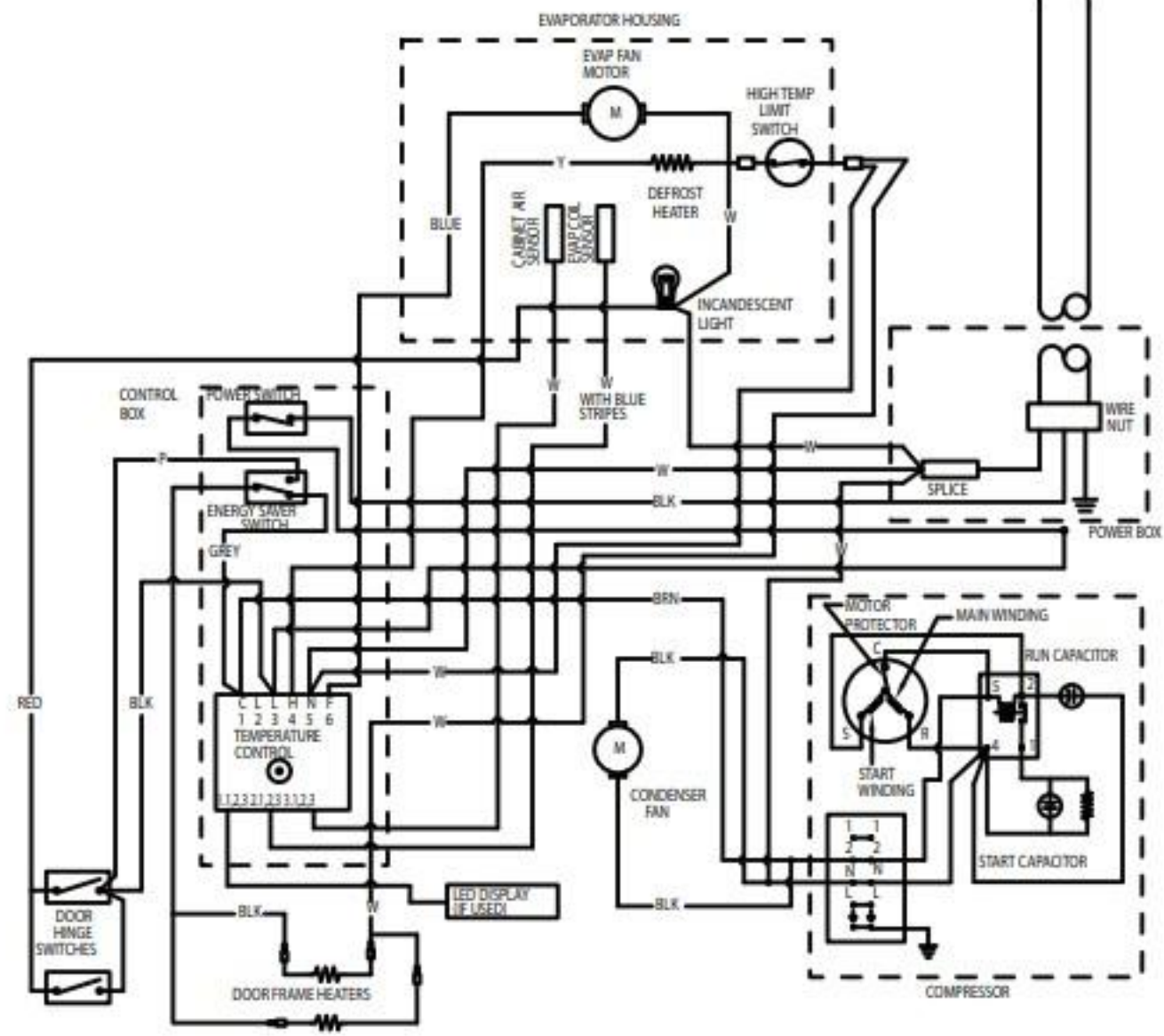
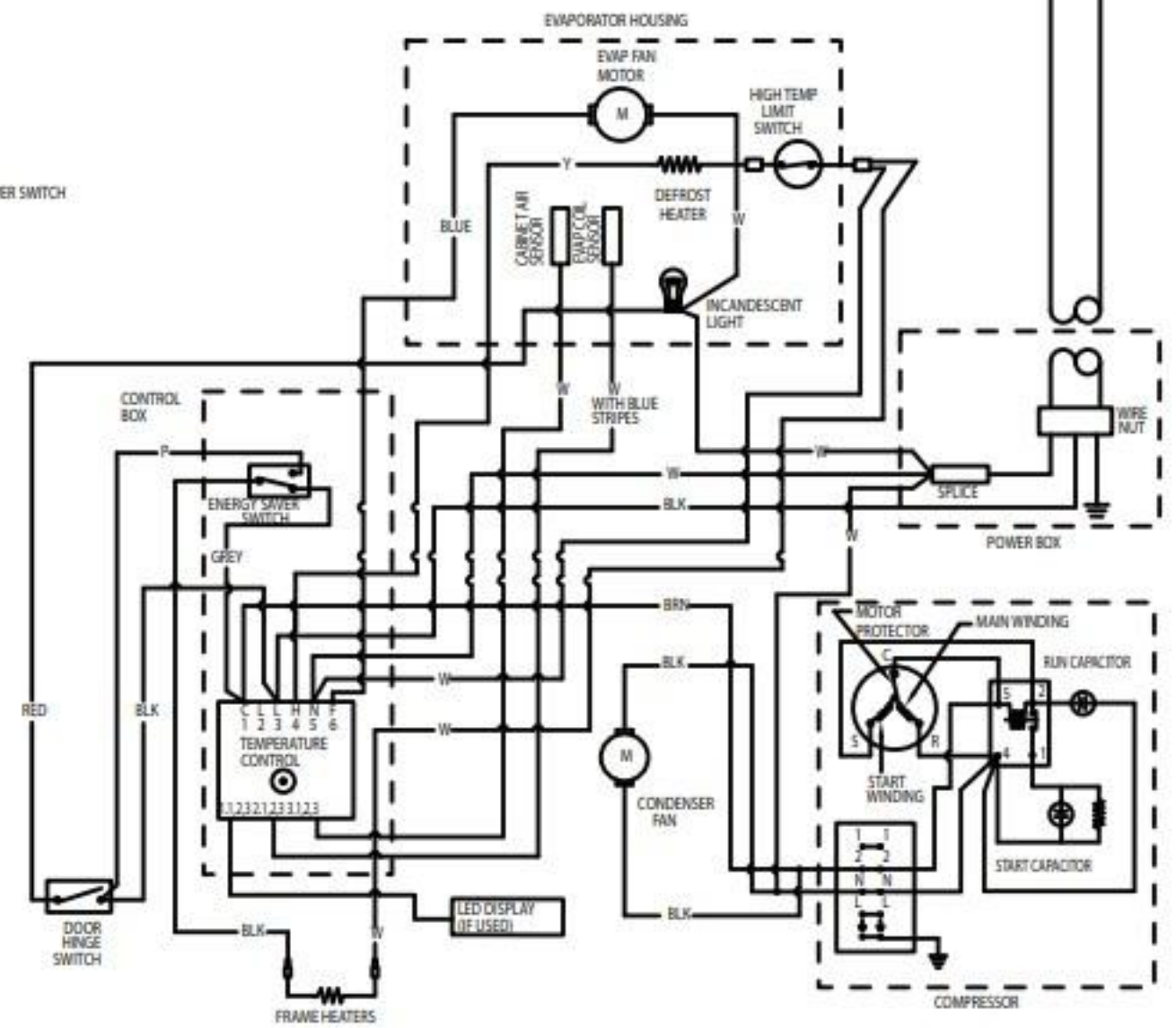
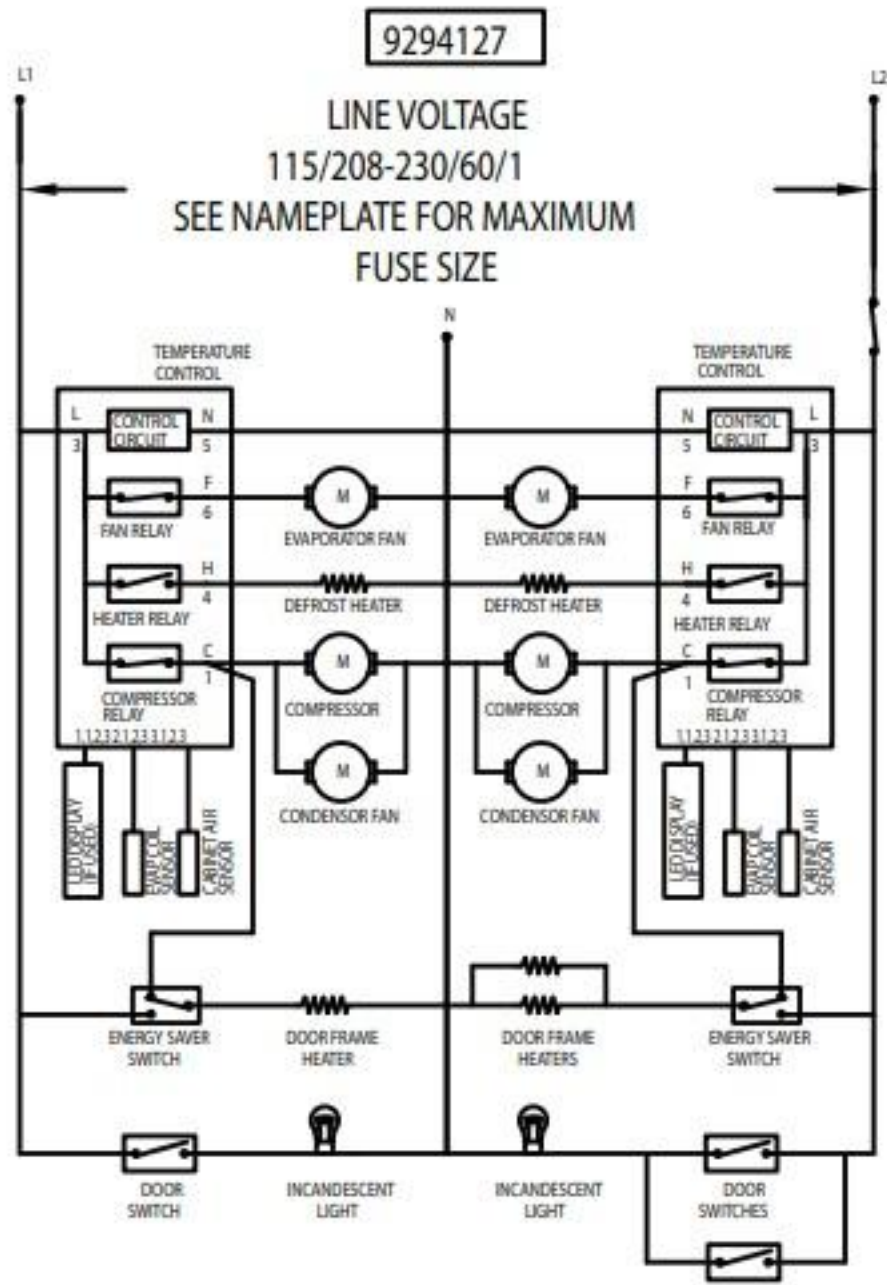
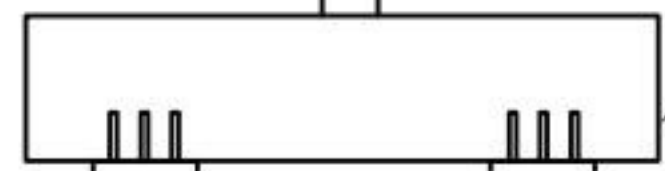
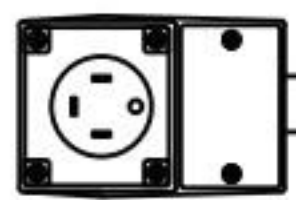
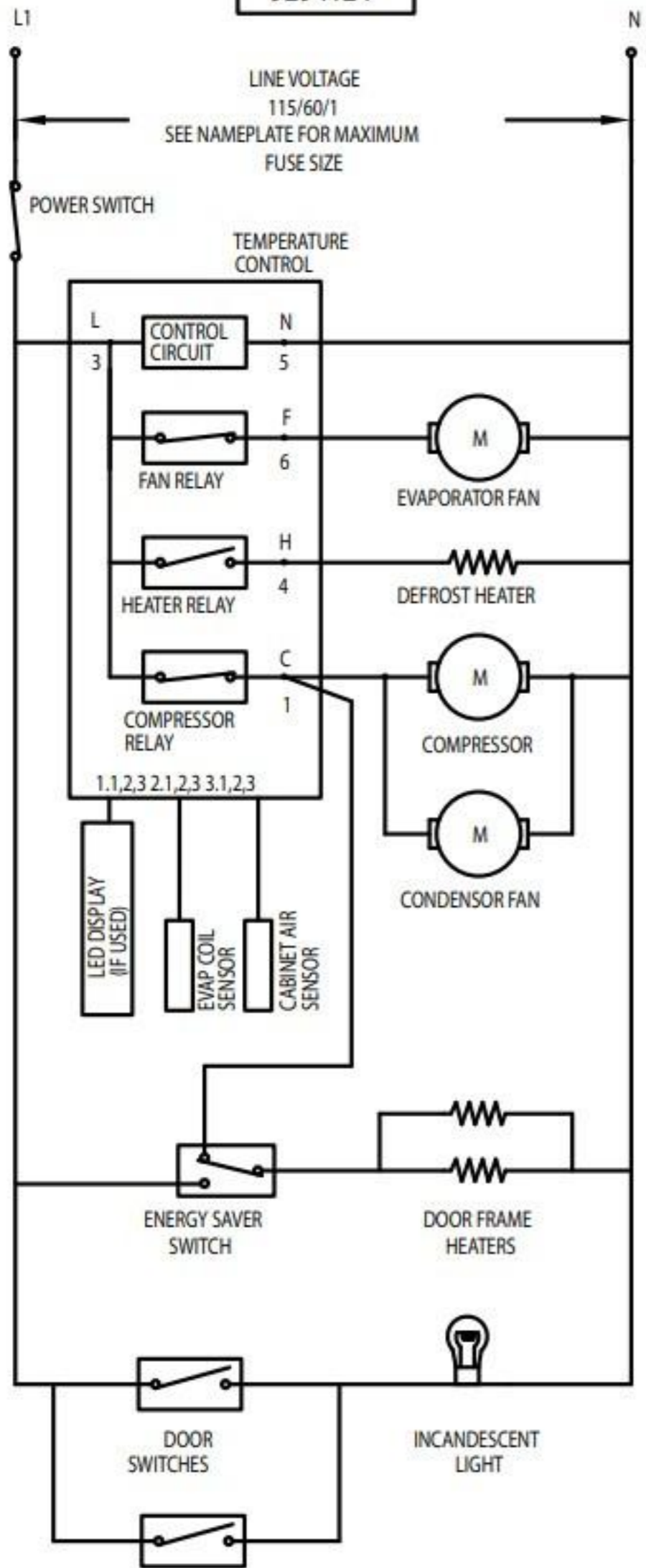


6176XL-S, 6176XL-SH

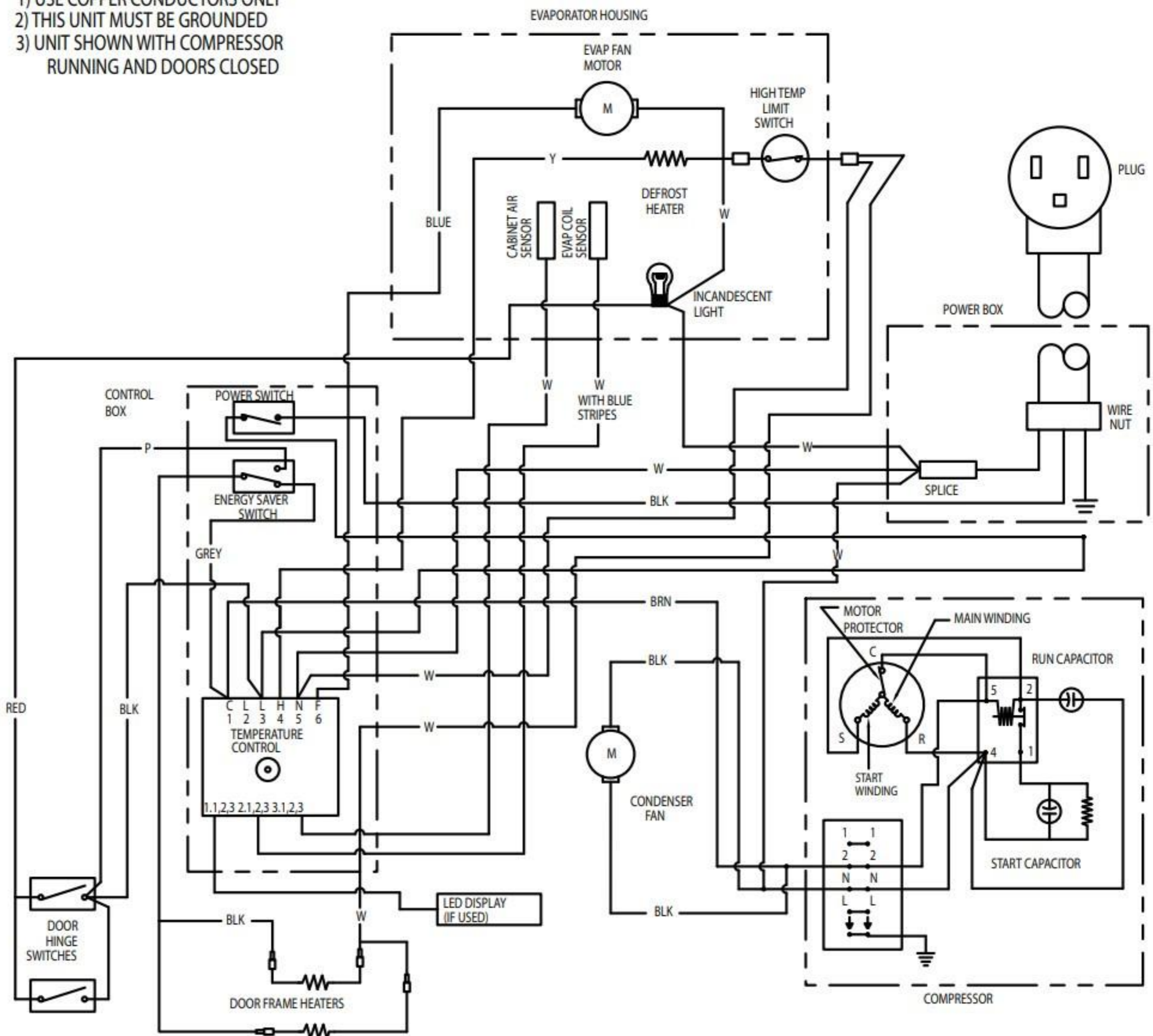
- NOTES:
 1) USE COPPER CONDUCTORS ONLY
 2) THIS UNIT MUST BE GROUNDED
 3) UNIT SHOWN WITH COMPRESSOR RUNNING AND DOORS CLOSED



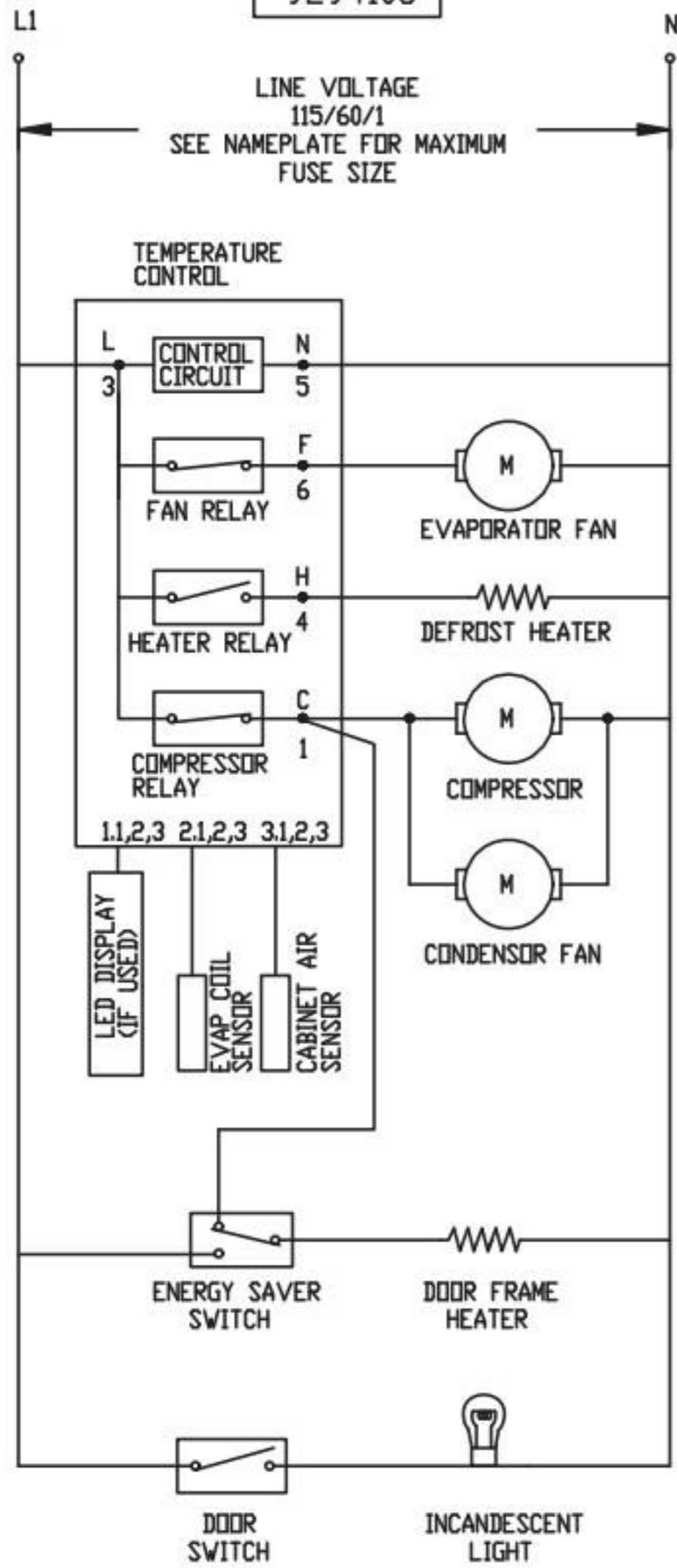
9294124



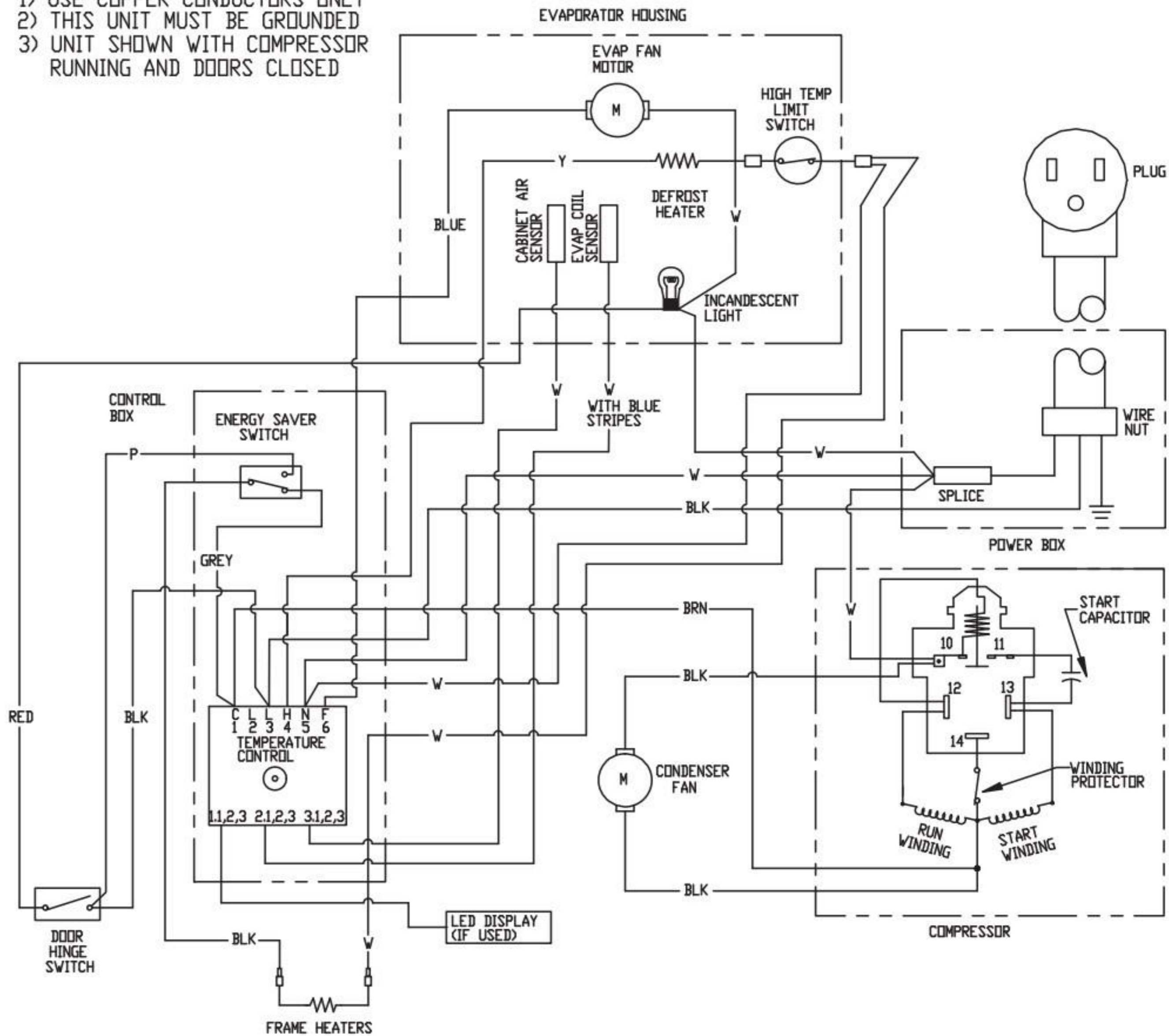
- NOTES:
 1) USE COPPER CONDUCTORS ONLY
 2) THIS UNIT MUST BE GROUNDED
 3) UNIT SHOWN WITH COMPRESSOR RUNNING AND DOORS CLOSED

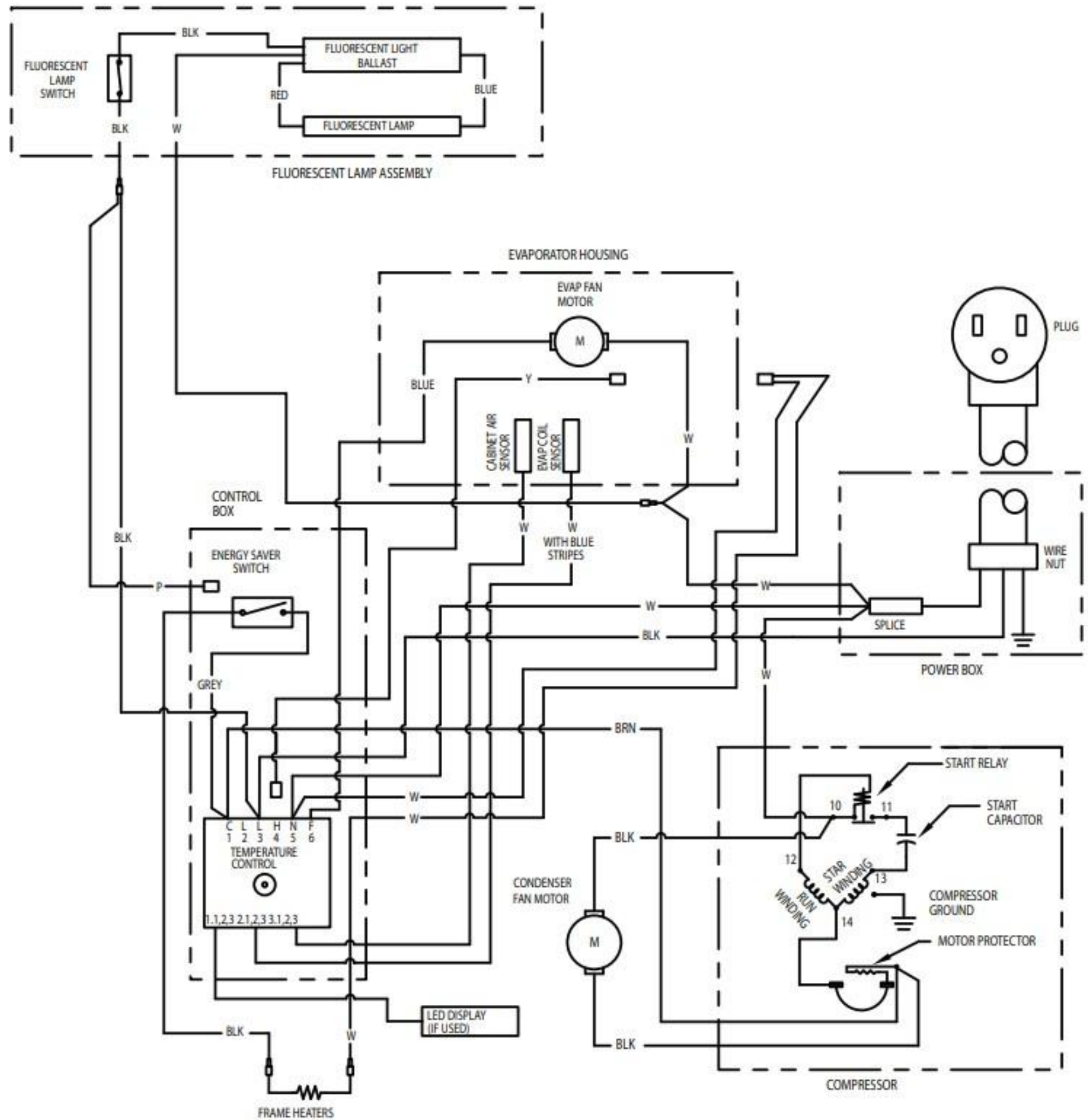
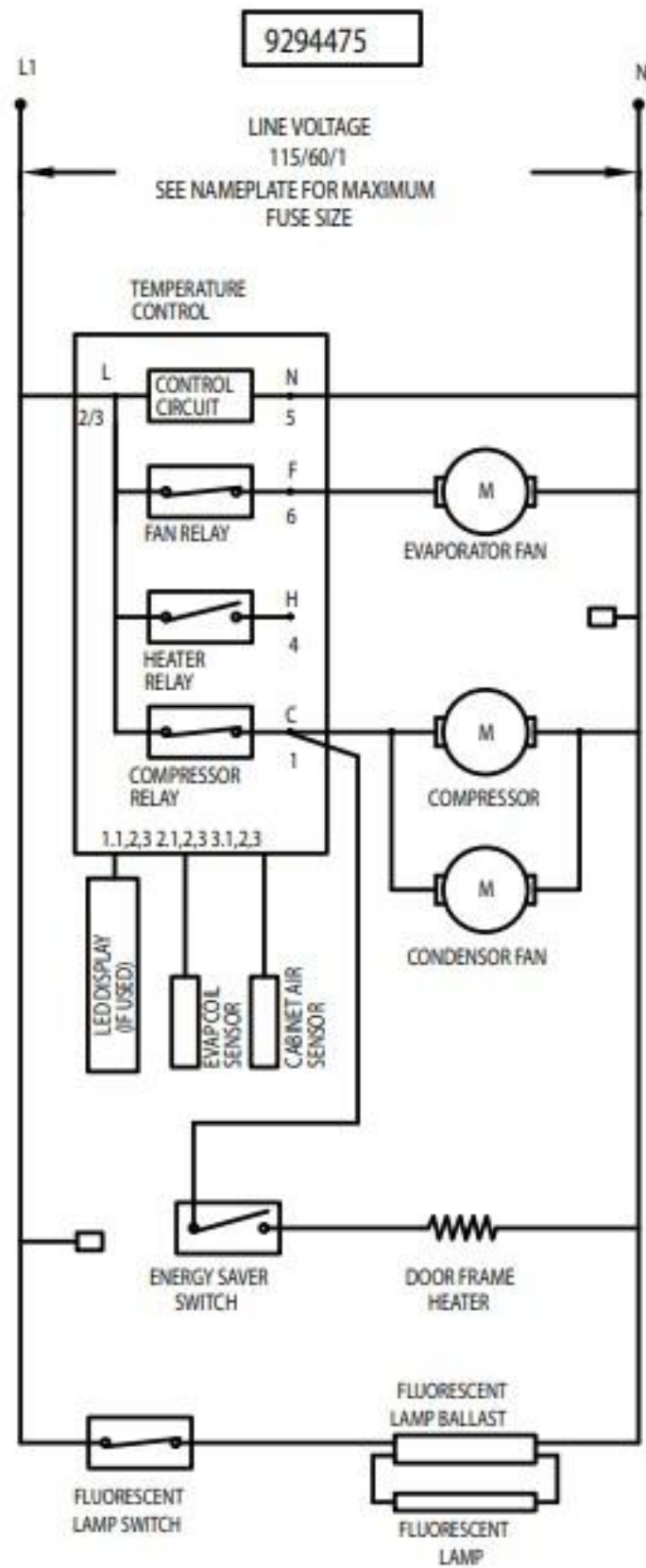


9294106



- NOTES:
 1) USE COPPER CONDUCTORS ONLY
 2) THIS UNIT MUST BE GROUNDED
 3) UNIT SHOWN WITH COMPRESSOR
 RUNNING AND DOORS CLOSED





- NOTES:
 1) USE COPPER CONDUCTORS ONLY
 2) THIS UNIT MUST BE GROUNDED
 3) UNIT SHOWN WITH COMPRESSOR RUNNING AND DOORS CLOSED

