

# 4448N Series Refrigerators®

4448N-8, 4448N-12, 4448N-18M - 404A

2007 - 2017

---

## Original Parts List

This list may contain older part numbers that may be used to cross reference with new part numbers.

Part	Part Number	Full Description	Notes	Model specific Parts
ADAPTOR BAR			See Drawings Below	
CAP TUBE	0074130-S	TUBE,CAPILLARY,4400N		
CASTER 3" W/OUT BRAKE	3234024	CASTER,3,PLT,SWVL,SFT	Verify size with customer - 125 lb load - swivel	
CASTER 3" W/OUT BRAKE	3237559	CASTER,3,PLT,SWVL,SFT	Verify size with customer - 250 lb load - swivel	
CASTER 3" W/OUT BRAKE	3239634	CASTER,3",RIGID	Verify size with customer - 250 lb load - rigid	
CASTER 3" WITH BRAKE	3234025	CASTER,3,PLT,SWVL,BRK,	Verify size with customer - 125 lb load - swivel with brake	
CASTER 5" W/OUT BRAKE	3234198	CASTER,5",RIGID,POLYEFLN	Verify size with customer	
CASTER 5" WITH BRAKE	3234199	CASTER,PLATE,SWVL,POLYO, BRAKE,5",FB5305132	Verify size with customer	
COMPRESSOR	3527126	COMP,AE4430Z-AA1A,120V	10/2014 - current. Comes with start components	
COMPRESSOR	000-C1A-0072-S	KIT,SERVICE,COMP REPLC TECUMSEH,4427-4448	2007 - 10/2014. Comes with start components	
CONDENSATE LOOP	158-B6P-0071-S	TUBE,CONDENSATE LOOP4400 OT 4427-4448	08/2014 - 09/2014 . Hot gas loop	
CONDENSATE LOOP	158-B6P-0078A-S	TUBE,COND LOOP OT 4427 -4448, SERVICE	10/2014 - current. Hot gas loop	
CONDENSATE LOOP	N/A	N/A	2007-07/2014 - Field construct part	
CONDENSATE PAN	1708895	PAN,COND,ABS,4400 SMALL,	06/2009 - current	
CONDENSATE PAN	0330515-S	PAN,CONDENSATE,ASSY, 4427-48N	2007 - 05/2009	
CONDENSATE PAN BRACKET	127-CDD-0031-S	SUPPORT,COND. PAN	06/2009 - current. Shorter bracket.	
CONDENSATE PAN BRACKET	129-CDD-0030-S	SUPPORT,COND PAN,4400 LONG	06/2009 - current. Longer bracket.	
CONDENSER COIL	3516296	COIL,COND,4427N/32N/48N		
CONDENSER FAN BLADE	2162681	BLADE,FAN,7,40 DEG PITCH		
CONDENSER FAN MOTOR	2162667	MOTOR,FAN,115V/60HZ,		
CORD/PLUG ASSY	2186816	HARNES,4427-48,MAIN OPEN TOP	Cord and plug	
COVER - HINGED	000-B59-0034-S	COVERS,-6,HINGED		(D)4427N-6, UC(D)4427N-6
COVER - HINGED	000-B59-004K-S	COVER,9M,HINGED,FLAT		(D)4427N-9M, UC(D)4427N-9M
COVER - LIFT OFF	000-B59-0038-S	COVERS,6/6M,LIFT-OFF		(D)4427N-6, UC(D)4427N-6
COVER - LIFT OFF	000-B59-004W-S	COVER,9/9M,LIFT OFF		(D)4427N-9M, UC(D)4427N-9M
COVER - LIFT OFF	000-B59-0102-S	COVERS,4427N-12M,FLAT- LIFT OFF	2009 - Current	(D)4427N-12M, ST(D)4427N-12M, UC(D)4427N-12M
COVER - LIFT OFF	000-B59-0111-S	COVERS,4427N-8 LIFT-OFF		(D)4427N-8, ST(D)4427N-8
COVER - SLIDEBACK	000-B59-004R-S	COVERS,-9M,HINGE SLIDEBACK		(D)4427N-9M, UC(D)4427N-9M
COVER - TELESCOPING	000-B59-003H-S	COVER,-6,TELESCOPING		(D)4427N-6, UC(D)4427N-6
COVER - TELESCOPING	000-B59-003N-S	COVERS,-9,TELESCOPING		(D)4427N-9M, UC(D)4427N-9M
COVER - TELESCOPING	000-B59-005G-S	AS,COVER,4427N-12M,TLSCP SIDE MOUNTING	November 2013 - current	(D)4427N-12M, ST(D)4427N-12M, UC(D)4427N-12M
COVER - TELESCOPING	000-B59-005H-S	"AS,COVER,4427N-8,TLSCP SIDE MOUNTING"		(D)4427N-8, ST(D)4427N-8
COVER - TELESCOPING	000-B59-0100-S	COVERS,4427N-12M, TELESCOPING	November 2009 - October 2013	(D)4427N-12M, ST(D)4427N-12M, UC(D)4427N-12M
CUTTING BOARD	1301450	BOARD,POLYETHELENE,	1/2 x 8 x 27	
CUTTING BOARD	1301458	BOARD,POLYETHELENE,	1/2 x 10 x 27	
CUTTING BOARD	1301601	BOARD,CUTTING.POLY 27X12X.5	1/2 X 12 X 27	
CUTTING BOARD BRACKET LEFT	0077801C-S	BRACKET,10IN,CUT BRD,LT	for 10" wide x 1/2" thick cutting board only	"(D)4427N-9M, UC(D)4427N-9M (D)4427N-12M, ST(D)4427N-12M, UC(D)4427N-12M"
CUTTING BOARD BRACKET LEFT	0077801-S	BRACKET,8 CUTTING BRD,LF,4400	for 8" wide x 1/2" thick cutting board only	"(D)4427N-9M, UC(D)4427N-9M (D)4427N-12M, ST(D)4427N-12M, UC(D)4427N-12M"
CUTTING BOARD BRACKET LEFT	0077801T-S	BRACKET,12,CUT BOARD,LT, 4400	for 12" wide x 1/2" thick cutting board only	"(D)4427N-9M, UC(D)4427N-9M (D)4427N-12M, ST(D)4427N-12M, UC(D)4427N-12M"

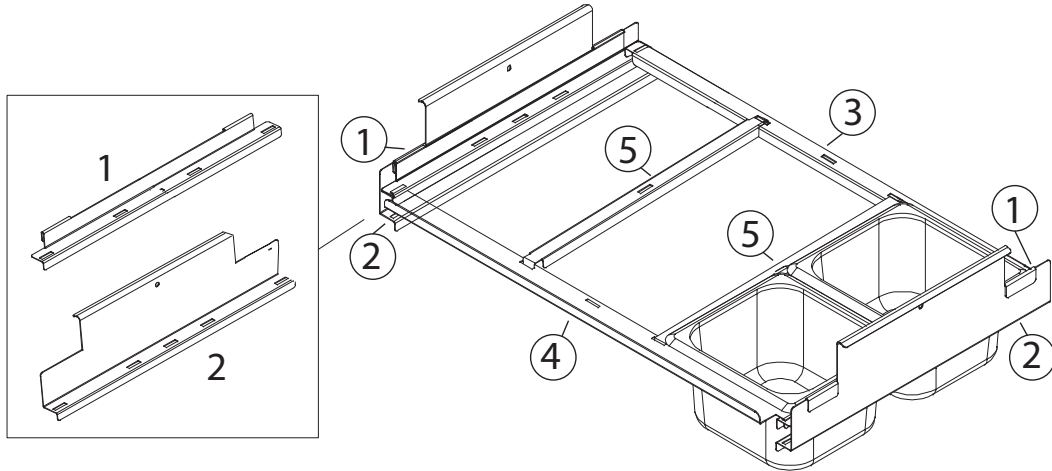
Part	Part Number	Full Description	Notes	Model specific Parts
CUTTING BOARD BRACKET RIGHT	0077510E-S	BRACKET,10IN,CUT BRD,RT	for 10" wide x 1/2" thick cutting board only	"(D)4427N-9M, UC(D)4427N-9M (D)4427N-12M, ST(D)4427N-12M, UC(D)4427N-12M"
CUTTING BOARD BRACKET RIGHT	0077510-S	BRACKET,8 CUTTING BRD,RT,4400	for 8" wide x 1/2" thick cutting board only	"(D)4427N-9M, UC(D)4427N-9M (D)4427N-12M, ST(D)4427N-12M, UC(D)4427N-12M"
CUTTING BOARD BRACKET RIGHT	0077510T-S	BRACKET,12,CUT BOARD,RT, 4400	for 12" wide x 1/2" thick cutting board only	"(D)4427N-9M, UC(D)4427N-9M (D)4427N-12M, ST(D)4427N-12M, UC(D)4427N-12M"
CUTTING BOARD HARDWARE - CAP	1701000	CAP CUTTING BOARD PIN		
CUTTING BOARD HARDWARE - NUT	9321003	NUT,1/4-20,ACORN,S/S		"(D)4427N-9M, UC(D)4427N-9M (D)4427N-12M, ST(D)4427N-12M, UC(D)4427N-12M"
CUTTING BOARD HARDWARE - PIN	3234360	PIN HINGE BRASS	Brass pin for cutting board	"(D)4427N-6, UC(D)4427N-6 (D)4427N-8, ST(D)4427N-8"
CUTTING BOARD HARDWARE - SCREW	9321103	PIN,CAP SCREW,DR HINGE		"(D)4427N-9M, UC(D)4427N-9M (D)4427N-12M, ST(D)4427N-12M, UC(D)4427N-12M"
CUTTING BOARD SCREW	9321273	SCREW,#8X.75,H-P-F8-AB	For cutting board	"(D)4427N-6, UC(D)4427N-6 (D)4427N-8, ST(D)4427N-8"
DOOR - S/S	000-B4X-0032-S	DOOR,RH,27,4400S	Comes with gasket & hinges	
DOOR - S/S	000-B4X-0033-S	DOOR,LH,27,4400S	Comes with gasket & hinges	
DOOR GASKET - S/S	1702474	GASKET,DR,27,4400		
DOOR HINGE KIT	RF000066-S	KIT,HINGE,6000,FULL DR, NEW	2007 - current. Includes spring cartridge.	
DOOR HINGE SPRING CARTRIDGE	3230010	HINGE,CARTRIDGE,25INLBS	Spring cartridge. Included in hinge kit <a href="#">RF000066-S</a>	
DRAWER ASSY - COMPLETE DOUBLE	000-B4Y-003K-S	DRAWER,ASSY,27,4400N	2007 - current. Includes complete top and bottom drawer with slides and stationary cage that sets in the unit.	
DRAWER BOX	000-333-003L-S	BOX ASSY,DRAWER,27 ,4427	2007-06/2010	
DRAWER BOX	000-333-0102-S	BOX ASSY,DRW,27,4400	06/2010-CURRENT	
DRAWER FRONT	000-C16-0031-S	DRAWER,FRONT,ASSY,4400,27		
DRAWER GASKET	1702524	GASKET,DRW,4427N,2 HIGH		
DRAWER SLIDE LEFT	3234579	INTERM PROFILE,LH,DRW	2007-06/2010	
DRAWER SLIDE LEFT	3234941	INTERM PROFILE,LH,DRW SLIDE,4400	06/2010 CURRENT	
DRAWER SLIDE RIGHT	3234578	INTERM PROFILE,RH,DRW	2007-06/2010	
DRAWER SLIDE RIGHT	3234942	INTERM PROFILE,RH,DRW SLIDE,4400	06/2010-CURRENT	
EVAPORATOR COIL	3516298	COIL,EVAP,4400N		
EVAPORATOR DRAIN PAN	000-BYM-0000-S	PAN,WELD ASSY,EVAP,4400N		
EVAPORATOR FAN BLADE	3517356	BLADE,FAN,5.56,CW,TRITAN BLACK,0.181 CORE PIN DIA		
EVAPORATOR FAN MOTOR	2162691-S	MOTOR,FAN,115V,50/60, BAY/JAKEL		
FILTER DRIER	3516321	DRIER,FILTER,,250,2		
LOUVER PANEL	0077307-S	PANEL,FRONT,LOUVERED, 4427	2007 - 05/2009	
LOUVER PANEL	122-B96-0040-S	PANEL,FRONT,LOUVER,4427	06/2009 - current	
PRESSURE SWITCH - HIGH	3516331	SWITCH,HIGH PRESSURE, 1/4" TUBE,R404A,450	October 2014 - current.	
PROBE - AIR/CABINET	2194836	PROBE,AIR SENSING, DANFOSS CTRL,077F8761	Included in temp control kit <a href="#">#2194763KT-S</a>	
PROBE - COIL/DEFROST	2194835	PROBE,DEFROST,DANFOSS CONTROL,59"LG	Included in temp control kit <a href="#">#2194763KT-S</a>	
SHELF	3978274	SHELF,27,4400,SLVR,FRZ		
TEMP CONTROL COLD	2194763KT-S	CONTROL,KIT,DUAL PROBE, DF,4400	2007 - current. Mounted on back of unit. Includes probes & knob	
TEMP CONTROL KNOB	2194761	KNOB,TSTAT,DANFOSS	Included in temp control kit <a href="#">#2194763KT-S</a>	

## (D)4448N-12 & UC(D)4448-12

### Adapter Bar Parts

For units 2009 to 2017

# in Drawing	Location	Part Number	Description	Qty Per Opening
1	Side bar upper	626-CBW-003H-S	BRACKET 6/8 PAN STANDARD LOCKING	2
2	Side bar lower	626-CBW-003D-S	PAN RAIL INSERT 6M AND 8M TO DROP PANS 1"	2
3	Back bar	626-CBV-003A-S	ADAPTER BAR 20.54 LOCKING	1
4	Front bar	626-CD2-0037-S	ADAPTER BAR 6 PAN FRONT	1
5	Center bar	626-CBV-0039-S	ADAPTER BAR 12" LOCKING	2

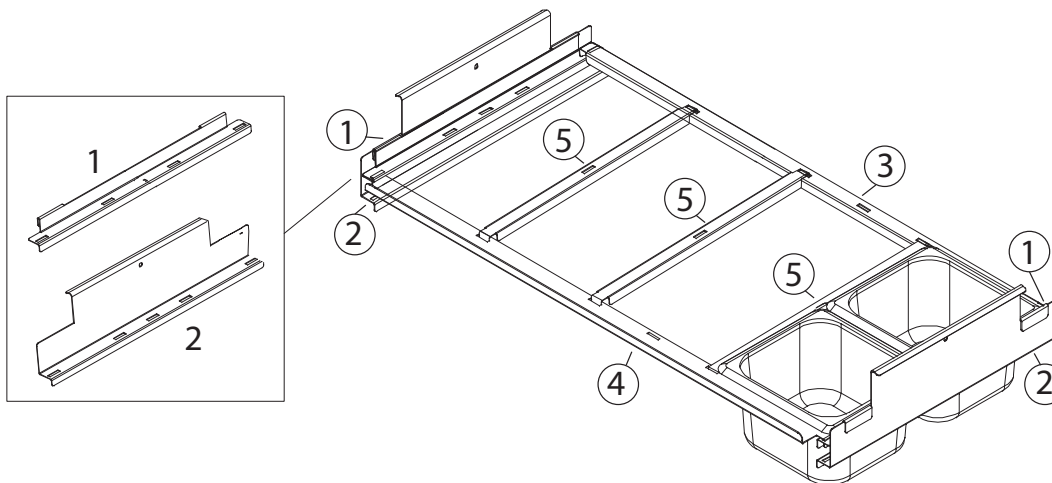


## (D)4427N-8, UC(D)4448N-8 & ST(D)4427-8

### Adapter Bar Parts

For units 2009 to 2017

# in Drawing	Location	Part Number	Description	Qty Per Opening
1	Side bar upper	626-CBW-003H-S	BRACKET 6/8 PAN STANDARD LOCKING	2
2	Side bar lower	626-CBW-003D-S	PAN RAIL INSERT 6M AND 8M TO DROP PANS 1"	2
3	Back bar	626-CBV-0038-S	DIVIDER BAR 8 PAN	1
4	Front bar	626-CD2-0035-S	ADAPTER BAR FRONT 27.54 SCREWED ON	1
5	Center bar	626-CBV-0039-S	ADAPTER BAR 12" LOCKING	3



## (D)4448N-18M & UC(D)4448-18M

### Adapter Bar Parts

For units 2009 to 2017

# in Drawing	Location	Part Number	Description	Qty Per Opening
1	Side bar upper	626-CBW-003F-S	BRKT,PANS,MEGA,ADJ	2
2	Side bar lower	626-CBW-003B-S	RAIL PAN 6M/9M/12M	2
3	Back bar	626-CBV-0039-S	ADAPTER BAR 12" LOCKING	1
4	Front bar	626-CD2-0036-S	DIVIDER BAR FRONT 6M PAN	1
5	Center bar	626-CBV-0039-S	ADAPTER BAR 12" LOCKING	2

