



The Life of the Kitchen.®

PARTS CATALOG

RSG Range

IMPORTANT: This product may have some parts that are **No Longer Available (NLA)**. If the part you need is no longer available, please contact Dacor for a possible solution:

DACOR CARES PROGRAM NLA Part Locator Service

Customer Contact Number:

(800) 793-0093 ex. 2813
Hours: 6:00 AM - 5:00 PM Pacific Time

Service Agent/Technician Contact Number:

(800) 793-0093 ex. 3814
Hours: 7:00 AM - 4:00 PM Pacific Time

Web Inquiries: www.dacor.com/dacorcares

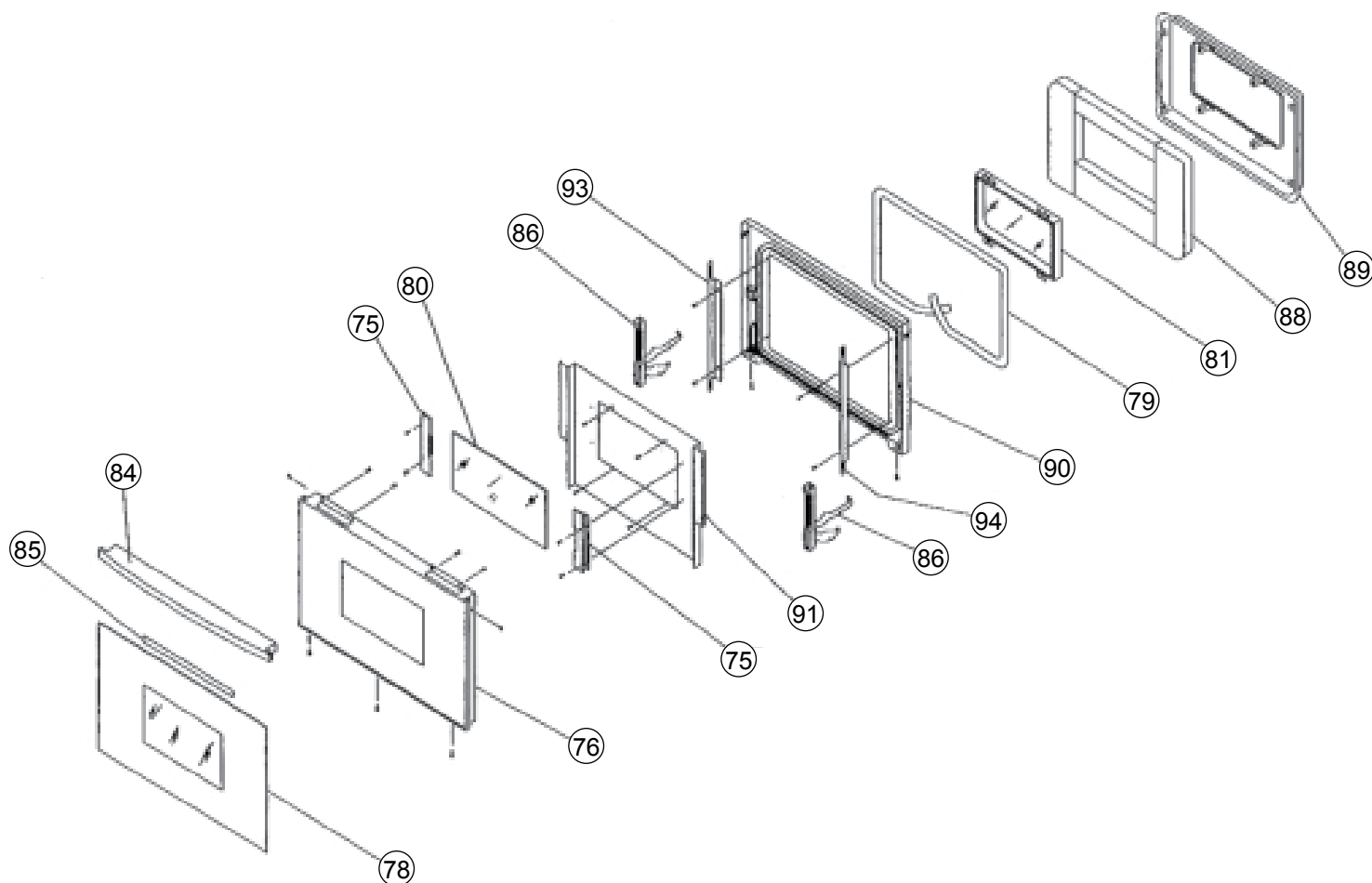
Email Inquiries: dacorcares@dacor.com

Please provide the following information:

- Your name and phone number
- Product model number
- Product serial number
- The part number(s) you need

| Page | Description |
|------|-----------------------------|
| 2 | Door Assembly |
| 3 | Gas Tubing/Control Assembly |
| 4 | Sub-Chassis Assembly |
| 5 | Sub-Chassis Parts |
| 6 | Base Assembly |
| 7 | Top Frame Assembly |

RSG Range Door Assembly



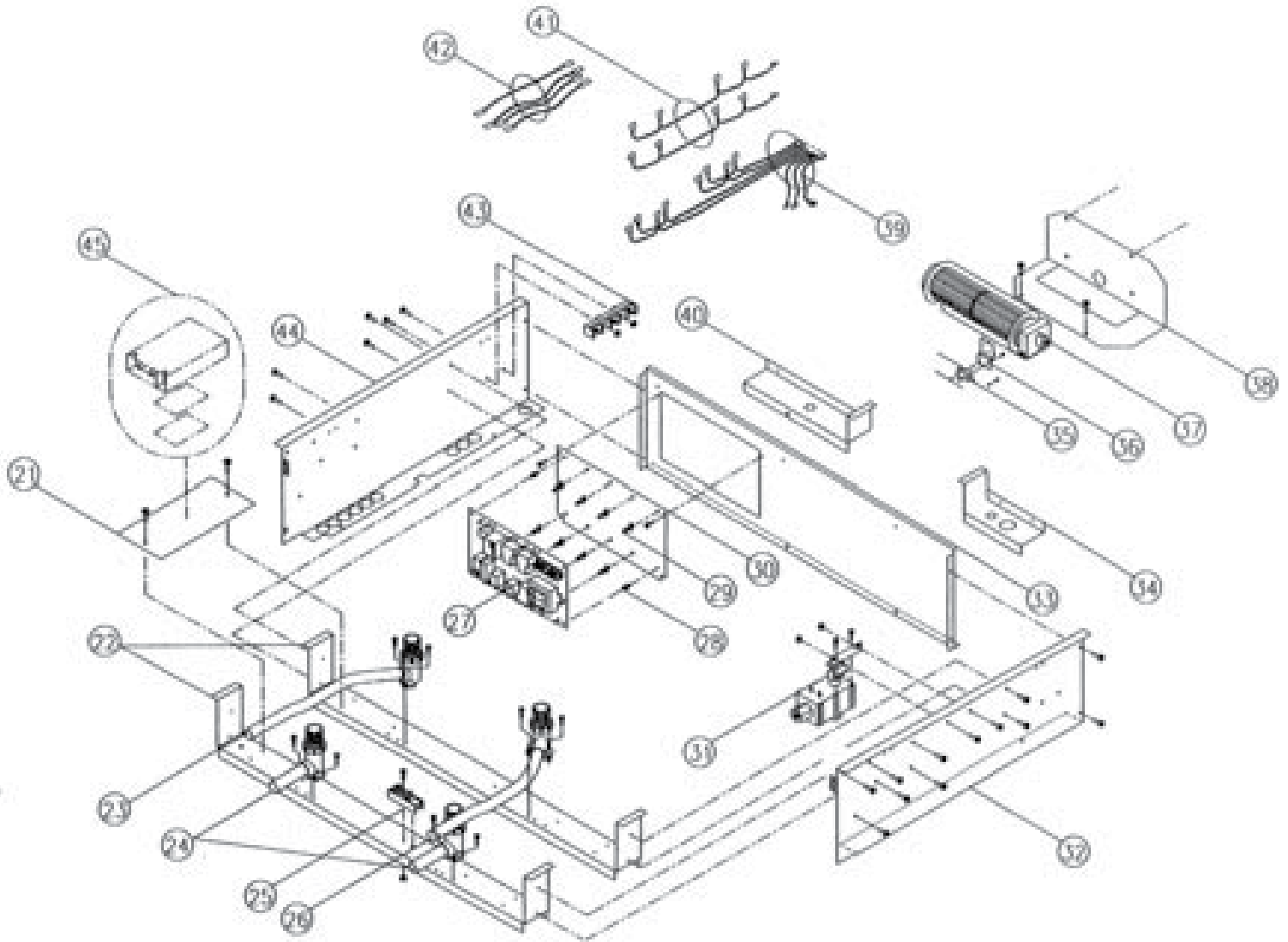
| Item | Part | Description |
|------|----------|---|
| 75 | ----- | OBSOLETE |
| 76 | 27486[*] | FRAME, GLASS MOUNTING (black/white)* |
| | 27487B | FRAME, GLASS MOUNTING (stainless) |
| 78 | 82216[*] | GLASS/OVERLAY ASSEMBLY (black/white)* |
| | 86360 | GLASS/OVERLAY ASSEMBLY (stainless) |
| 79 | 82124 | GASKET, DOOR |
| 80 | ----- | OBSOLETE |
| 81 | 12470 | WINDOW PACK (10X16, double) |
| | 82790BP | "J"-TRIM WINDOW PACK, (black porcelain) |
| | 26429 | THERMOCORD, WINDOW PACK |
| 84 | 82122[*] | HANDLE |
| 85 | 83224 | TAPE, DOUBLE SIDED, .30 THK |

| Item | Part | Description |
|------|---------|---------------------------------------|
| 86 | 82508 | HINGE (stainless front) |
| | 82883 | HINGE (use for black and white units) |
| 88 | 80172 | INSULATION |
| 89 | 27459BP | LINER, INNER |
| 90 | 86746 | LINER, OUTER |
| 91 | 26575B | HEAT SHIELD |
| 93 | 26577 | SHIELD, LEFT |
| 94 | 26576 | SHIELD, RIGHT |

* Letter at end of part number indicates color:
 B = black
 R = arctic white

Part no longer available? Contact Dacor: (800) 793-0093 ex. 3814

RSG Gas Tubing/Control Assembly

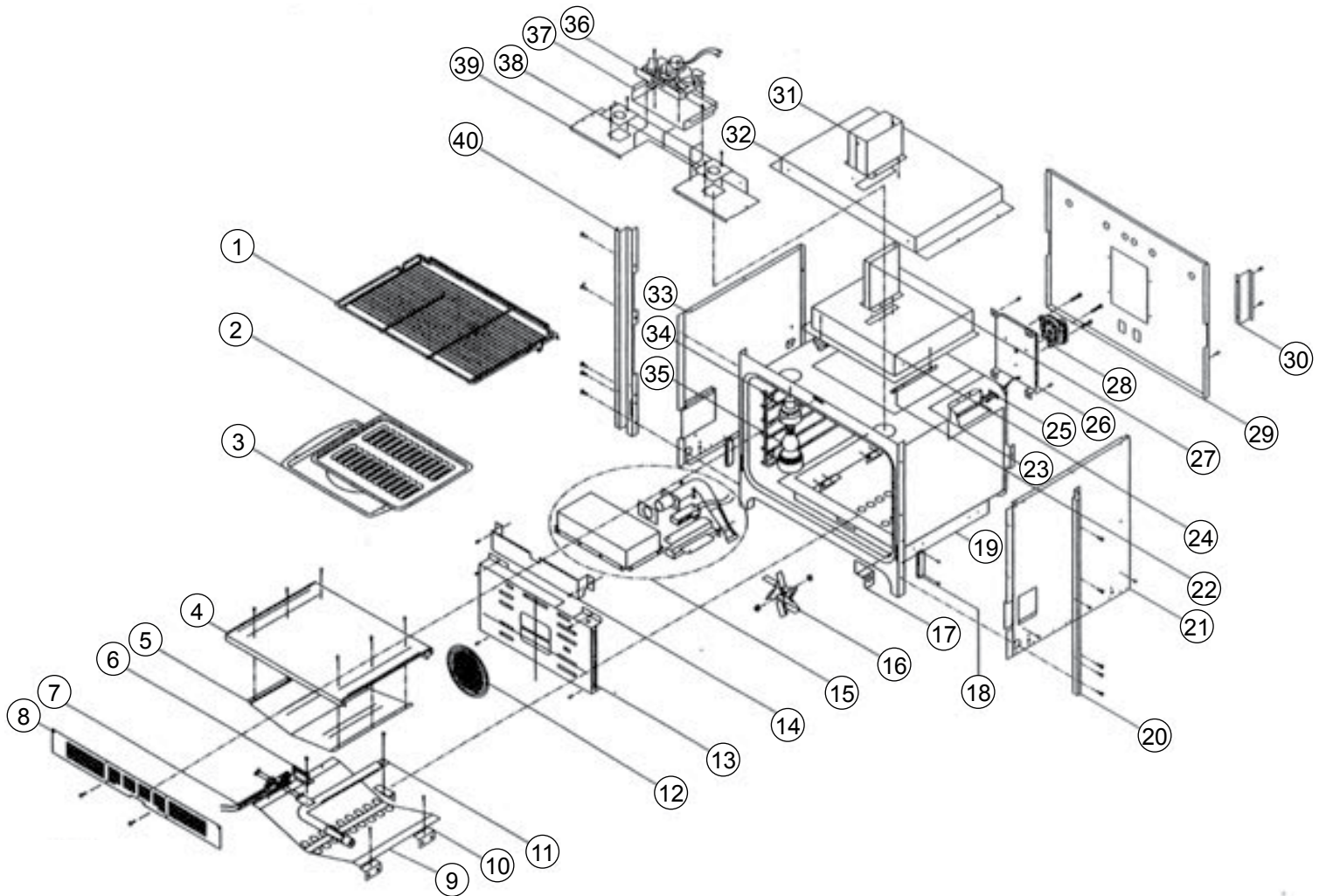


| Item | Part # | Description |
|------|--------|-----------------------------------|
| 21 | 26027 | SPARK BOX PLATE |
| 22 | 26068 | BURNER SUPPORT CHANNEL |
| 23 | 62169 | BURNER TUBE/BASE, LEFT REAR |
| 24 | 62144 | BURNER TUBE/BASE, FRONT, (LF, RF) |
| 25 | 83556 | TERMINAL BLOCK |
| 26 | 62162 | BURNER TUBE/BASE, RR |
| 27 | 62438 | RELAY, PCB |
| 28 | 83053 | STANDOFF, 6-32 X .44LG, HEX |
| 29 | 83538 | PCB SUPPORT, NYLON |
| 30 | 26072 | PCB MTG. PLATE |
| 31 | 82429 | VALVE, THERMAL |
| 32 | 27132 | SIDE SUPPORT, RIGHT |
| 33 | 27103 | ASSY, REAR PANEL |
| 34 | 26431 | AIR BAFFLE, CASE TOP, RIGHT |

| Item | Part # | Description |
|------|--------------------|---------------------------------------|
| 35 | 82081 | SWITCH, SAIL |
| 36 | 26448 | BRKT, FAN STATUS INDICATOR |
| 37 | 82347 | COOLING FAN |
| 38 | 26248 | BRKT, COOLING FAN |
| 39 | 86080 | HARNES, IGNITOR TO SW/LTS |
| 40 | 26437 | AIR BAFFLE, CASE TOP, LEFT |
| 41 | 86081 | JUMPER WIRES - SWITCH |
| 42 | 86079 | IGNITER WIRES (set of 4) |
| 43 | 82151 | TERMINAL BLOCK |
| 44 | 26573 | SIDE SUPPORT, LEFT |
| 45 | 86526 | SPARK MODULE, 4 POINT |
| - | 82287 ¹ | HARNES, ERC TO RELAY PCB ¹ |
| - | 13181 ¹ | POWER SUPPLY CORD ¹ |

¹ Not shown.

RSG Range Sub-Chassis Assembly



RSG Range Sub-Chassis Parts

| Item | Part # | Description |
|-----------|----------|--|
| 1 | 82230 | OVEN RACK |
| 2 | 82106 | PLATED GRILL, BROILER PAN |
| 3 | 82107 | BROILER PAN, BLK PORC. |
| 4 | ----- | OVEN CELL (not replaceable) |
| 5 | 26441 | REFLECTOR, BAKE BURNER |
| 6 | 26404 | BRKT, TUBULAR BURNER |
| 7 | 82473 | HOT SURFACE IGNITOR |
| 8 | 26288B | INTAKE GRILL |
| 9 | 26440 | HEAT SHIELD, BAKE BURNER |
| 10 | 26536 | BRKT, CELL BOTTOM SUPPORT |
| 11 | 82431 | BURNER, TUBULAR |
| 12 | 82891 | FILTER, CONVECTION |
| 13 | 26138BP | CONVECTION BAFFLE |
| 14 | 26126BP | COVER, CONV BAFFLE TOP |
| 15 | 12042 | ASSY, INFRARED BURNER |
| 16 | 82651 | FAN BLADE, CONVECTION MOTOR |
| 17 | 26217 | BRKT, BAKE BURNER HOOD |
| 18 | 82851 | RECEPTACLE, HINGE |
| 19 | 27121 | ASSY, OVEN BOTTOM PAN |
| 20 | 26139[*] | TRIM POST, RIGHT |
| 21 | 27137 | ASSY, CASE SIDE, RIGHT |
| 22 | 27098 | ASSY, MOUNTING BRKT, IR BRNR. |
| 23 | 26442BP | SHIELD, PROBE (use after Serial # KB7040004) |
| | 27099BP | SHIELD, PROBE (use prior to Serial # KB7040004) |
| 24 | 27119 | ASSY, OVEN TOP PAN |

| Item | Part # | Description |
|-----------|---------------------|--|
| 25 | 86663 | TEMP. SENSOR, SHORT |
| | 62201 | TEMP. SENSOR, LONG 10.5" |
| 26 | 27470 | CONV. MOTOR MOUNTING PLATE |
| 27 | 27104 | ASSY, VENT DUCT |
| 28 | 82647 | CONVECTION OVEN MOTOR |
| 29 | 26447 | CASE BACK |
| 30 | 26357 | TERMINAL BLOCK COVER |
| 31 | 26478 | HEAT SHIELD SIDE, VENT DUCT |
| 32 | 26443 | CASE TOP REAR |
| 33 | 27139 | ASSY, CASE SIDE, LEFT |
| 34 | 82650 | SUPPORT RACK, BLK PORC. |
| 35 | 701750 | LIGHT SERVICE KIT |
| 36 | 701582 ¹ | DOOR LATCH MECHANISM ¹ |
| 37 | 701582 ¹ | LATCH PLATE ¹ |
| 38 | 26538 | COVER PLATE, LIGHT |
| 39 | 26124 | CASE TOP FRONT |
| 40 | 26143[*] | TRIM POST, LEFT; |
| - | 26215 | IGNITOR SHIELD |
| - | 82574 | BROIL FITTING (New style also order hood) |
| - | 82576 | HOOD "JET", BROIL-NG |
| - | 82577 | HOOD "JET", BROIL-LP |
| - | 82089 | LIGHT BULB, HALOGEN |

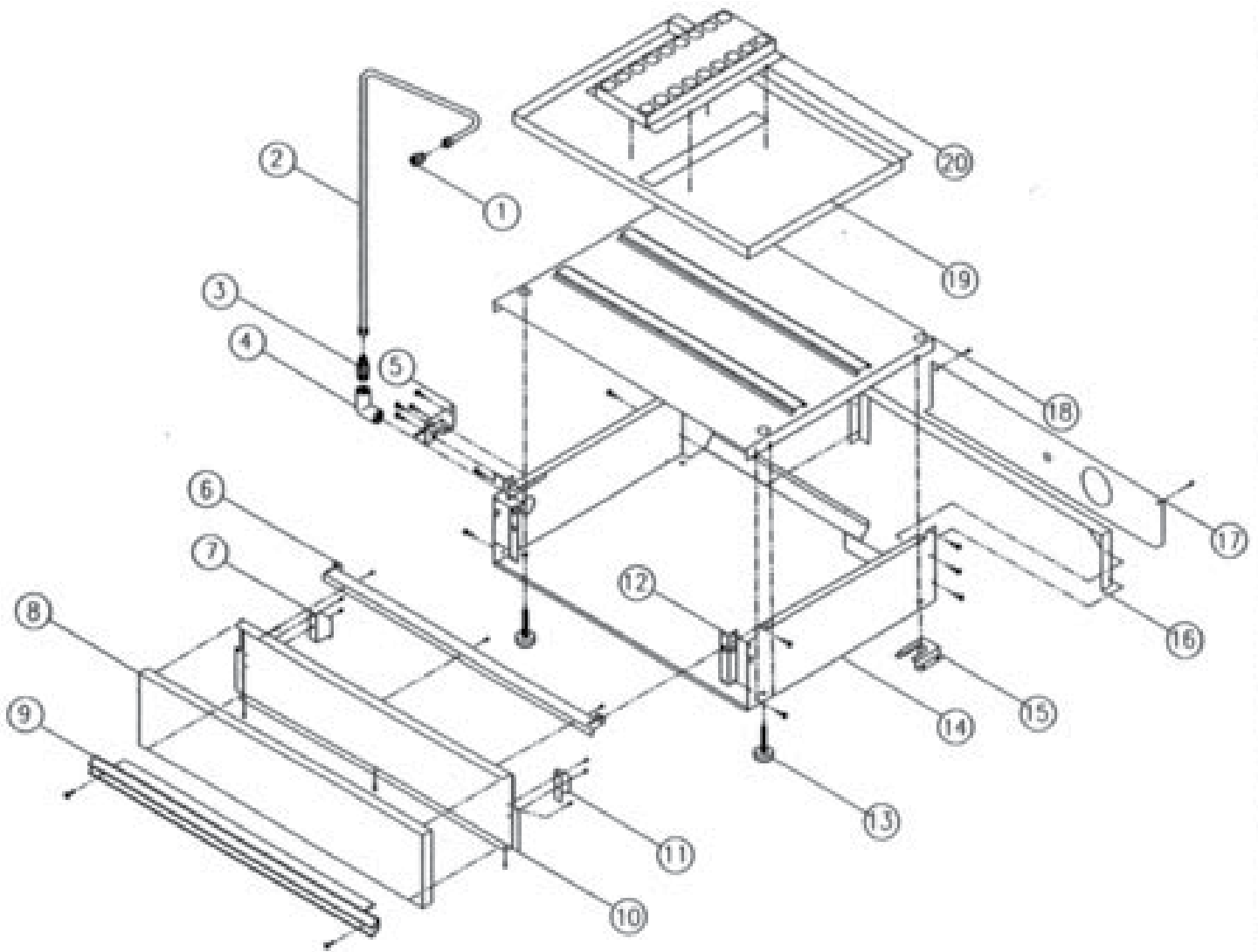
* Letter at end of part number indicates color:

B = black

R = arctic white

¹Must order kit # 701582. Includes latch, latch plate and 6 screws.

RSG Range Base Assembly



| Item | Part # | Description |
|------|----------|--------------------------------------|
| 1 | 83050 | ADAPTER, 3/8 FPT TO 3/8 TUBE |
| 2 | 82348 | GAS TUBE |
| 3 | 82208 | ADAPTER, 1/2 MNPT TO 3/8 TUBE |
| 4 | 83281 | ELBOW, 90 DEGREE, 1/2" IPS |
| 5 | 26130 | BRACKET, INLET FITTING |
| 6 | 26477 | BRACKET, KICK PANEL |
| 7 | 26183 | BRACKET, KICK PANEL SUPPORT - LH |
| 8 | 13065[*] | ASSEMBLY, STORAGE PANEL ¹ |
| 9 | 26069[*] | EXHAUST GRILL, LOWER |
| 10 | 26241[*] | FRONT PANEL |
| 11 | 26280 | BRACKET, KICK PANEL SUPPORT - RH |

| Item | Part # | Description |
|------|--------|---------------------------------------|
| 12 | 26052 | BRACKET, STORAGE COMPARTMENT MTG |
| 13 | 83034 | LEVELER, ADJUSTABLE, 5/16" |
| | 83359 | LEVELER, ADJUSTABLE, 1/2" |
| 14 | 27174 | ASSY, BASE, RANGE (uses 1/2" leveler) |
| 15 | 26041 | BRACKET, ANTI-TIP |
| 16 | 27048 | ASSY, STIFFENER, BASE |
| 17 | 26239 | BASE, BACK COVER |
| 18 | 27153 | ASSY, EXHAUST PLATE |
| 19 | 26533 | CASE BOTTOM |
| 20 | 26127 | CASE BOTTOM COVER |

¹ Includes items 7, 10 and 11

* Letter at end of part number indicates color:

B = black

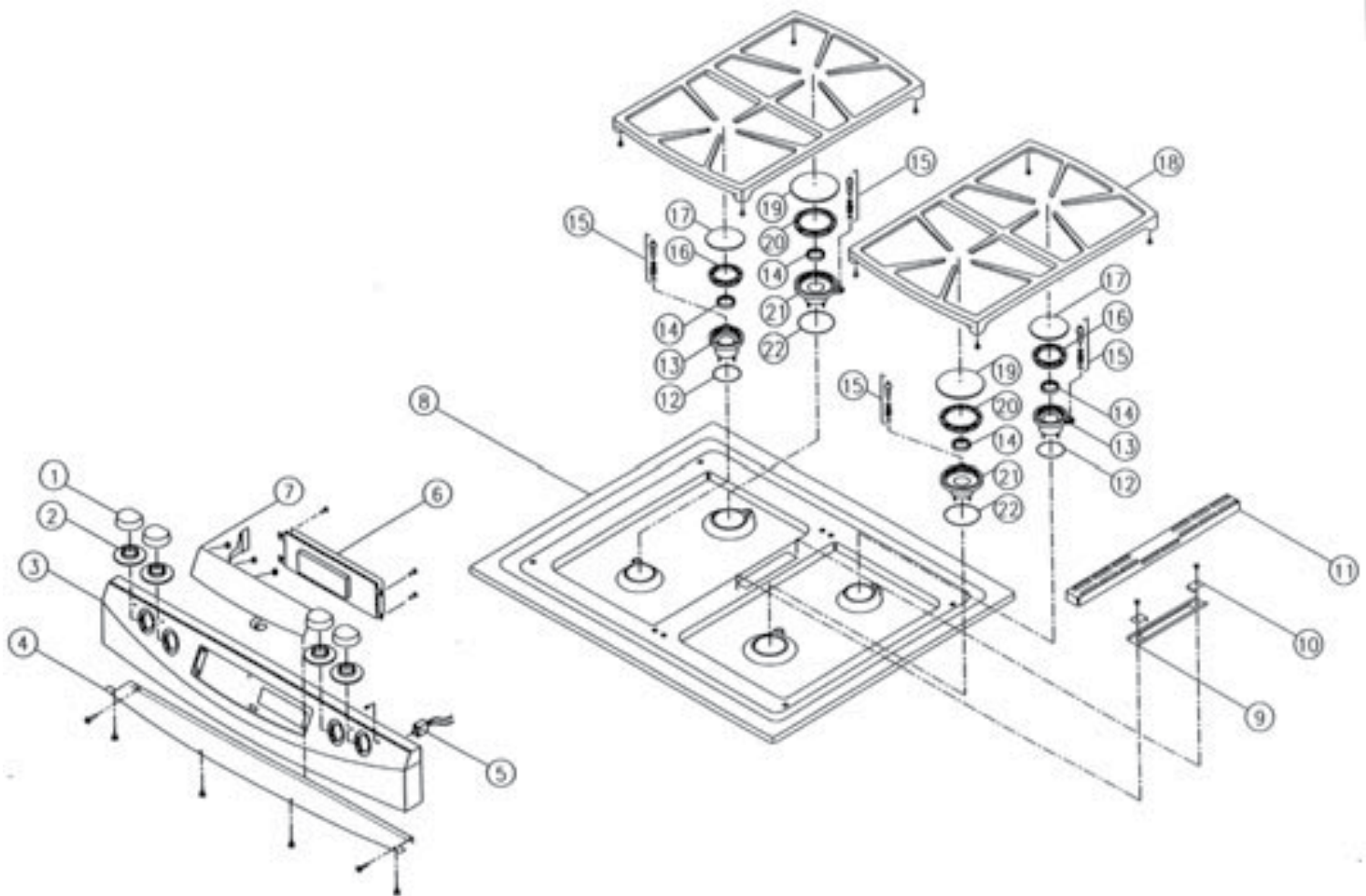
R = arctic white

13065 also available in stainless



Part no longer available? Contact Dacor: (800) 793-0093 ex. 3814

RSG Range Top Frame Assembly



| Item | Part # | Description |
|------|------------------------|----------------------------|
| 1 | 82016[*] | KNOB |
| 2 | 82036[*] | SPILL PROTECTOR |
| 3 | 76479R[*] | BEZEL ASSEMBLY |
| 4 | 26119B | CONTROL BEZEL TRIM |
| 5 | 82233 | INDICATOR LIGHT, BLUE NEON |
| 6 | 62696 | OVEN CONTROL |
| 7 | 76479R[*] ¹ | MEMBRANE ¹ |
| 8 | 26295[**] | TOP FRAME |
| 9 | 26594 | TRIM COLLAR, VENT DUCT |

* Letter at end of part number indicates color:

B = black

R = arctic white

¹ Part of bezel assembly.

** Letters at end of part number indicate color:

BP = black

RP = arctic white

SG = stainless

| Item | Part # | Description |
|------|---------|-------------------------------------|
| 10 | 26184 | BRACKET, VENT DUCT |
| 11 | 26409BP | HEAT SHIELD, VENT CAP |
| 12 | 86802 | O-RING, B - BURNER HEAD |
| 13 | 82681 | B - BURNER HEAD ASSEMBLY, W/IGNITOR |
| 14 | 86405 | BRASS NUT; B, C - BURNER HEAD |
| 15 | 66281 | IGNITOR ASSEMBLY |
| 16 | 86408 | B - BURNER RING |
| 17 | 86524BM | B - BURNER CAP, (medium) |
| 18 | 82109BM | GRATE PACK EXTENDED |
| 19 | 86523BM | C - BURNER CAP, (large) |
| 20 | 86407 | C - BURNER RING |
| 21 | 82682 | C - BURNER HEAD ASSEMBLY, W/IGNITOR |
| 22 | 86801 | O-RING, C - BURNER HEAD |