



The Life of the Kitchen.®

PARTS CATALOG

RSE Range

IMPORTANT: This product may have some parts that are **No Longer Available (NLA)**. If the part you need is no longer available, please contact Dacor for a possible solution:

DACOR CARES PROGRAM NLA Part Locator Service

Customer Contact Number:

(800) 793-0093 ex. 2813
Hours: 6:00 AM - 5:00 PM Pacific Time

Service Agent/Technician Contact Number:

(800) 793-0093 ex. 3814
Hours: 7:00 AM - 4:00 PM Pacific Time

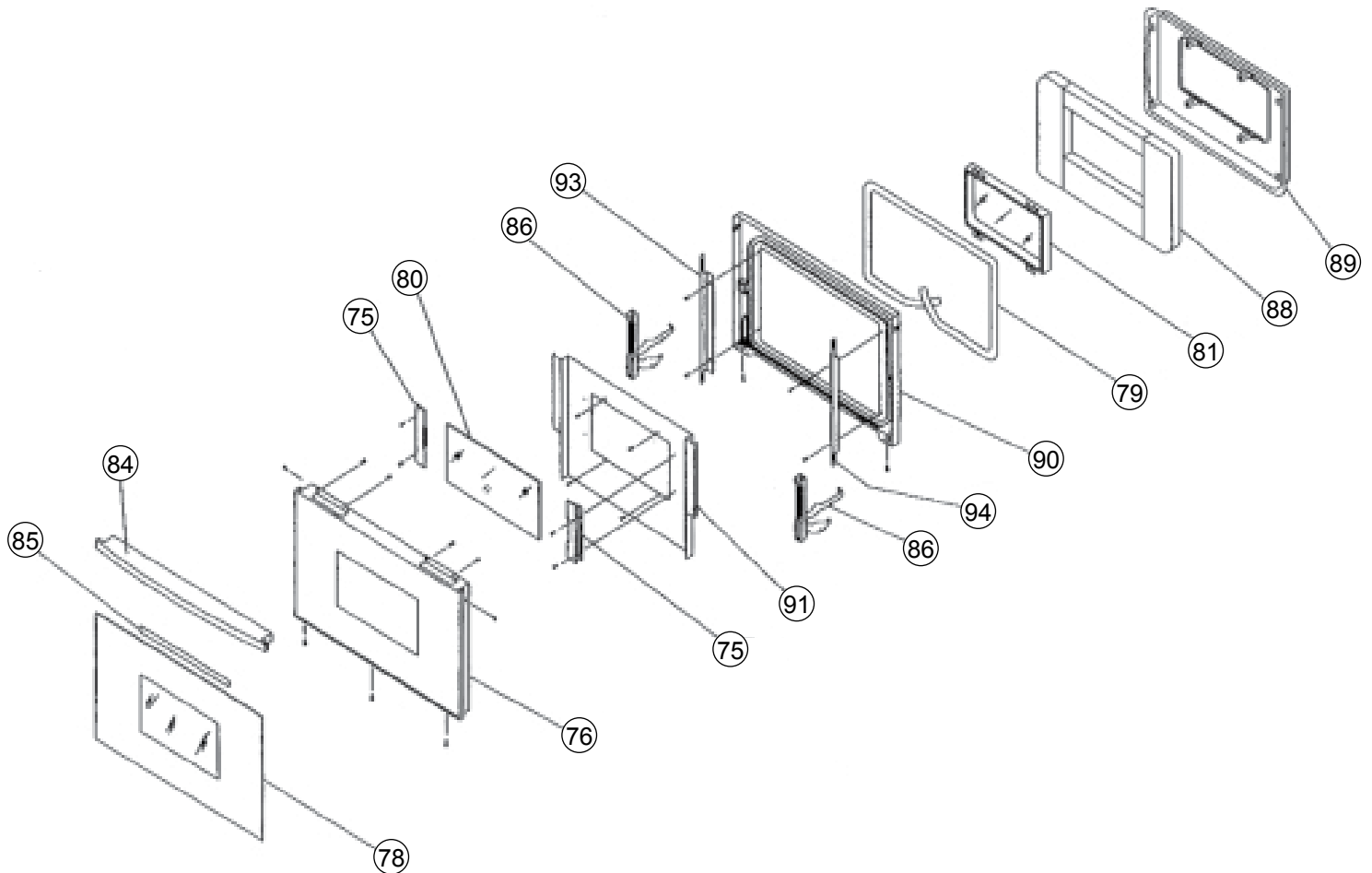
Web Inquiries: www.dacor.com/dacorcares **Email Inquiries:** dacorcares@dacor.com

Please provide the following information:

- Your name and phone number
- Product serial number
- Product model number
- The part number(s) you need

Page	Description
2	Door Assembly (Rev B and Earlier)
3	Door Assembly (Rev C and Later)
4	Bezel/Sub-Chassis Assembly
5	Base Assembly
6	Oven Case Assembly
7	Top Frame Assembly

RSE Range Door Assembly (Rev B and Earlier)



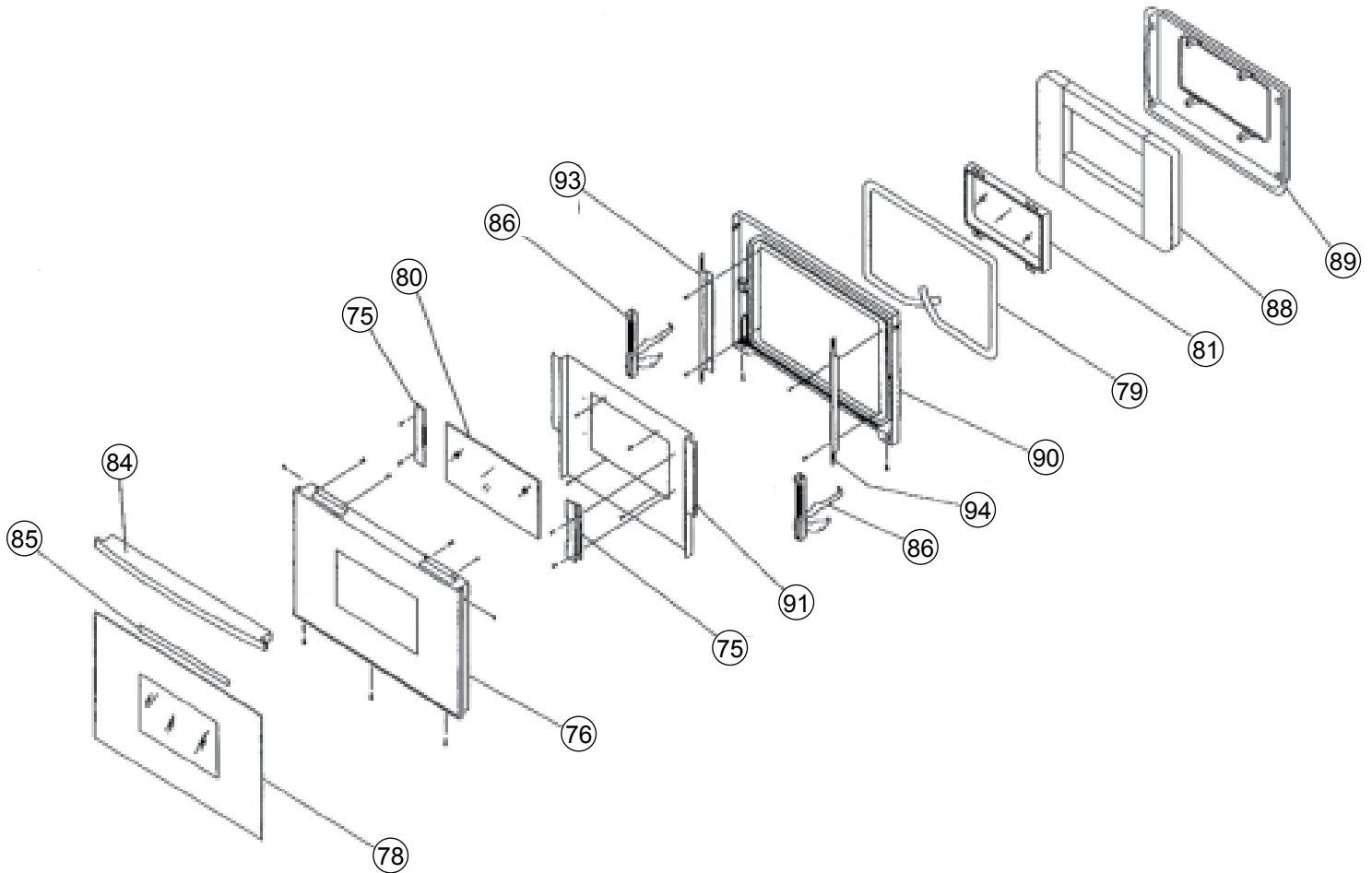
Item	Part	Description
75	-----	OBSOLETE
76	27598[*]	FRAME, GLASS MOUNTING
	27607B	FRAME, GLASS MOUNTING (stainless units)
78	82216[*]	GLASS/OVERLAY ASSEMBLY
	86360	GLASS/OVERLAY ASSEMBLY (stainless units)
79	72027	GASKET, DOOR
80	-----	OBSOLETE
81	12470	WINDOW PACK (10X16, double)
	82790BP	"J"-TRIM WINDOW PACK, (black porcelain)
	26429	THERMOCORD, WINDOW PACK
84	72282[*]	HANDLE
85	83224	TAPE, DOUBLE SIDED, .30 THK

Item	Part	Description
86	82508	HINGE (stainless front)
	82883	HINGE (use for black and white units)
88	80172	INSULATION
89	27459BP	LINER, INNER
90	86746	LINER, OUTER
91	26575B	HEAT SHIELD
93	26577	SHIELD, LEFT
94	26576	SHIELD, RIGHT

* Letter at end of part number indicates color:
 B = black
 R = arctic white

Part no longer available? Contact Dacor: (800) 793-0093 ex. 3814

RSE Range Door Assembly (Rev C and Later)



Item	Part	Description
75	-----	OBSOLETE
76	27598[*]	FRAME, GLASS MOUNTING
	27607B	FRAME, GLASS MOUNTING (stainless units)
78	82216[*]	GLASS/OVERLAY ASSEMBLY
	86360	GLASS/OVERLAY ASSEMBLY (stainless units)
79	72020	GASKET, DOOR
80	-----	OBSOLETE
81	72148	WINDOW PACK
84	72282[*]	HANDLE
85	83224	TAPE, DOUBLE SIDED, .30 THK

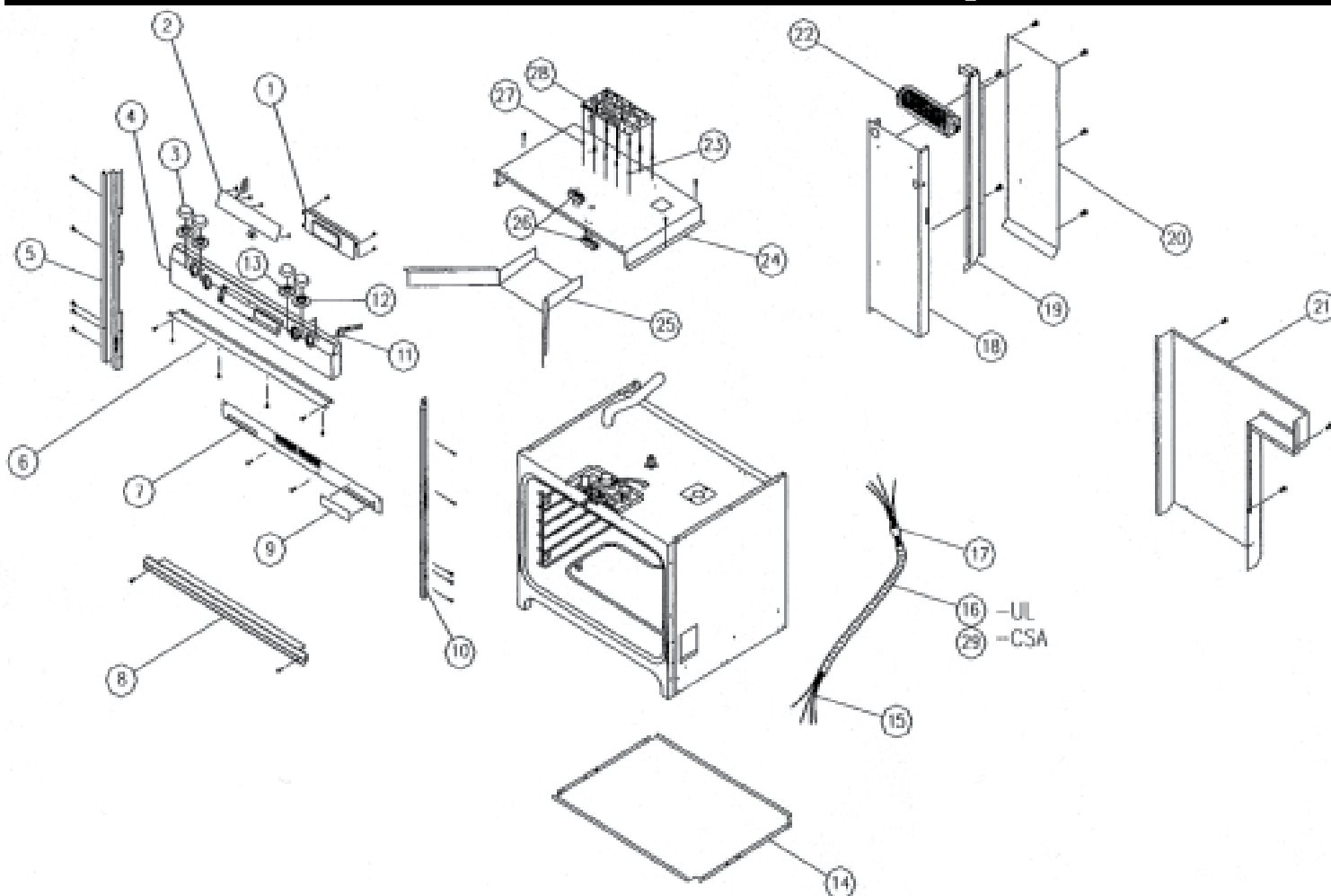
Item	Part #	Description
86	82508	HINGE (stainless front)
	82883	HINGE (use for black and white units)
88	80213	INSULATION
89	27728BP	LINER, INNER
90	27460BP	LINER, OUTER
91	36620B	HEAT SHIELD
93	36617	SHIELD, LEFT
94	36618	SHIELD, RIGHT
-	83618	DOOR BUMPERS (not shown)

* Letter at end of part number indicates color:

B = black

R = arctic white

RSE Bezel/Sub-Chassis Assembly

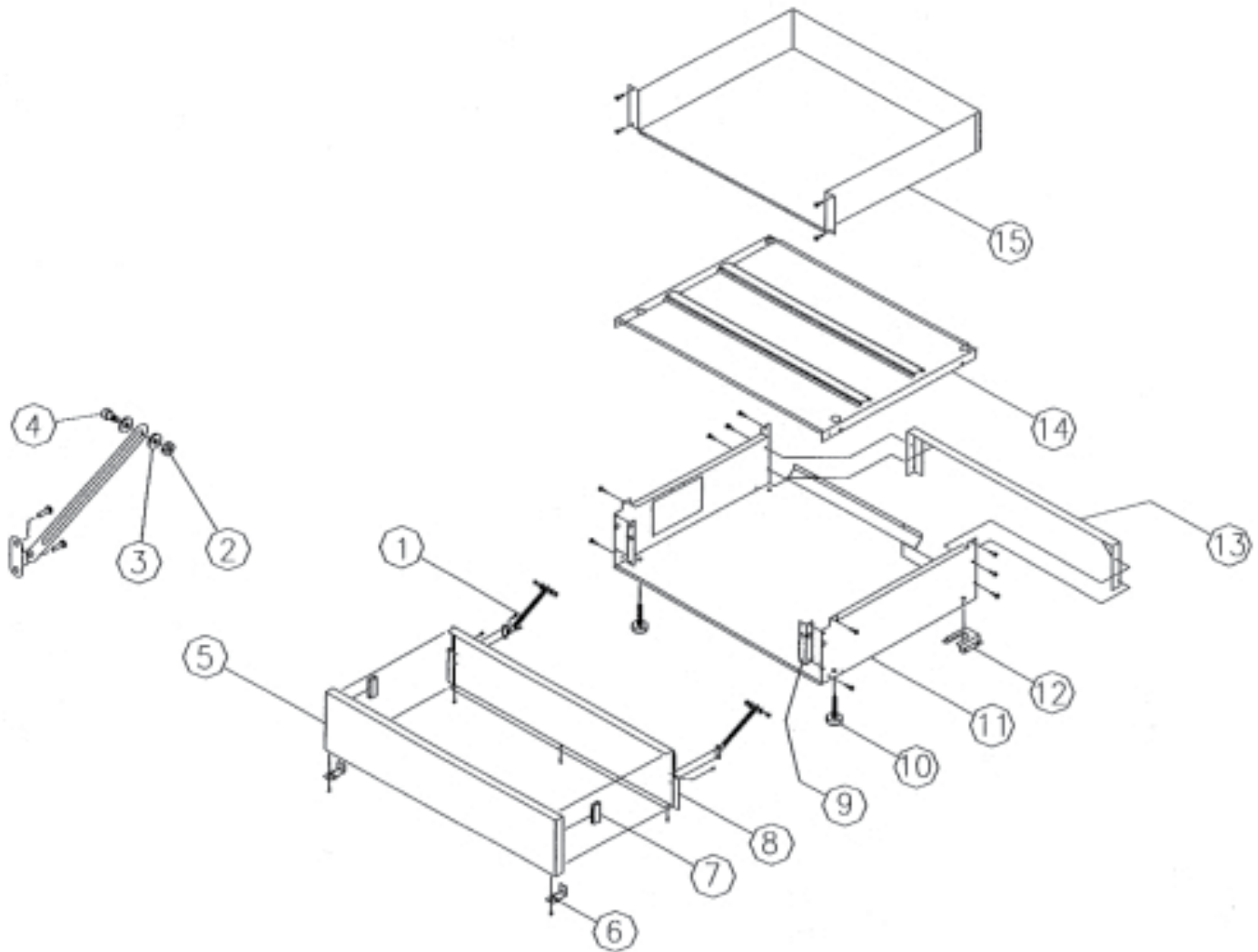


Item	Part #	Description
-	82112	HARNES, ERC TO RELAY PCB (not shown)
1	62701	OVEN CONTROL
2	76480[*]	ASSY, BEZEL CONTROL
3	82016[*]	KNOB
4	76480[*]	ASSY, BEZEL CONTROL
5	26143[*]	TRIM POST, LEFT
6	26119B	CONTROL BEZEL TRIM
7	26638B	INTAKE GRILL
8	26069[*]	EXHAUST GRILL
9	82873	NAME PLATE, SELF-CLEAN INFO
10	26139[*]	TRIM POST, RIGHT
11	82343	IND. LIGHT, RED NEON, W/LENS
12	82342[*]	SPILL PROTECTOR
13	82339[*]	SPILL PROTECTOR
14	26034	HEAT SHIELD, STORAGE

* Letter at end of part number indicates color:
 B = black
 R = arctic white

Item	Part #	Description
15	14536	BLACK - L1 SUPPLY
	14537	RED - L2 SUPPLY
	14538	GRN - GROUND SUPPLY
	14539	WHT - NEUTRAL SUPPLY
16	26420	CONDUIT, 1/2" FLEX - 60"
17	83133	CONDUIT BUSHING, 1/2", Red
18	26085	EXHAUST DUCT
19	27043	DIVIDER WELDMENT
20	26084	COVER, EXHAUST DUCT
21	27094	ASSY, BACKCOVER
22	82986	COOLING FAN
23	83053	STANDOFF, 6-32 X .44LG,HEX
24	26044	SUB-CHASSIS
25	27455	ASSY, TRANSITION DUCT
26	83556	TERMINAL BLOCK, 2 POLE
27	83538	PCB SUPPORT, NYLON
28	92028	RELAY PCB, RANGE
29	26420	CONDUIT, 1/2" FLEX, 60"; (CSA)

RSE Range Base Assembly



Item	Part #	Description
1	83068 ¹	SUPPORT, STORAGE PANEL ¹
2	83048	NUT, 8-32 KEPS
3	83194	WASHER, NYLON
4	83220	SHOULDER SCREW
5	13059	FRONT PANEL (stainless)
	26851[*]	FRONT PANEL
6	83044	HINGE
7	83237	CATCH, MAGNETIC

¹ Includes items 2, 3 and 4.

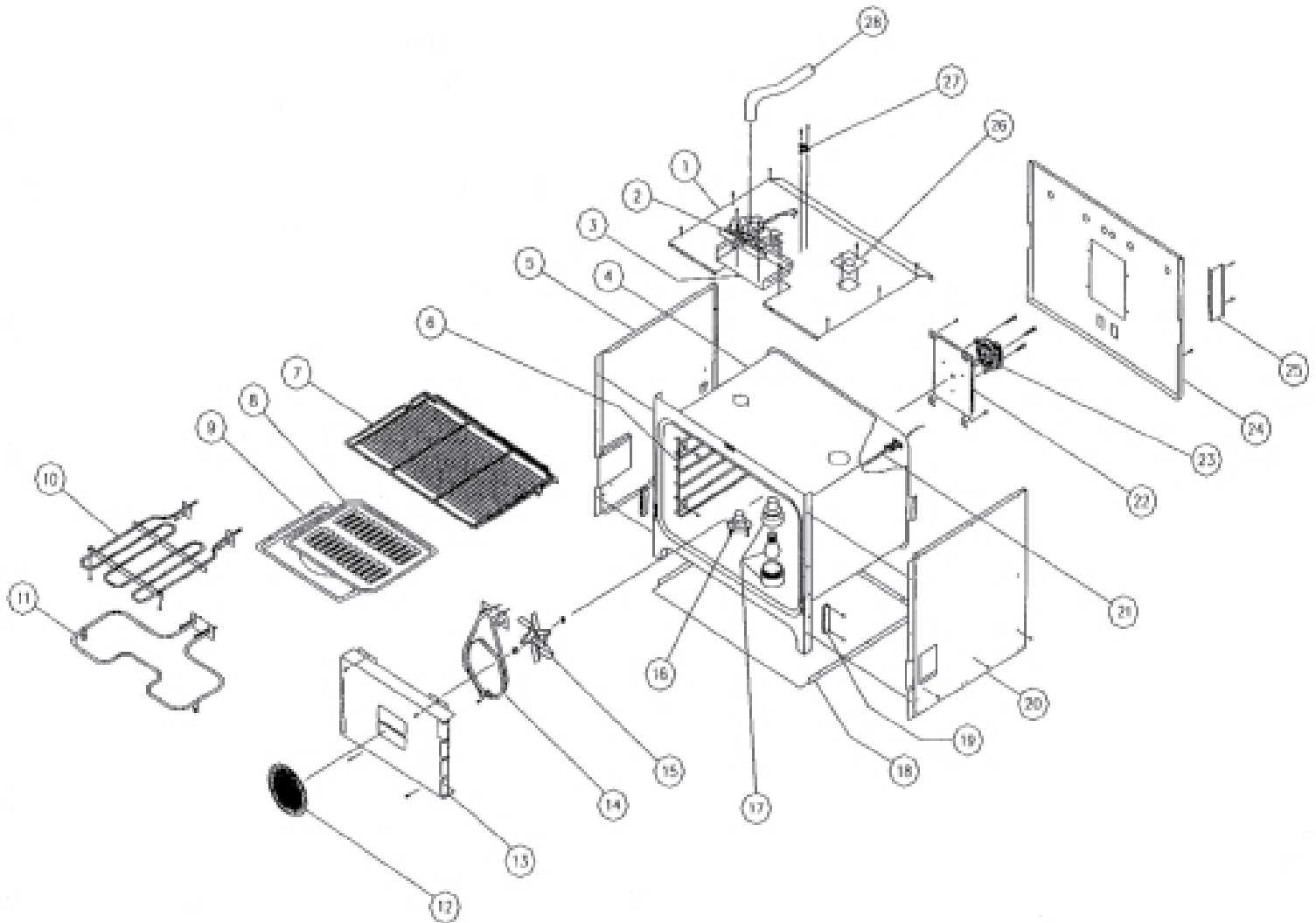
* Letter at end of part number indicates color:

B = black

R = arctic white

Item	Part #	Description
8	-----	LINER (comes with item 5)
9	26052	BRACKET, STORAGE COMP. MTG.
10	83034	LEVELER, ADJUSTABLE, 5/16"
	83359	LEVELER, ADJUSTABLE, 1/2"
11	27144	ASSY, BASE, RANGE (uses 1/2" leveler)
12	26041	BRACKET, ANTI-TIP
13	27048	ASSY, STIFFENER, BASE
14	26153	EXHAUST PLATE ASSEMBLY
15	27068B	ASSEMBLY, STORAGE COMPARTMENT

RSE Range Oven Case Assembly

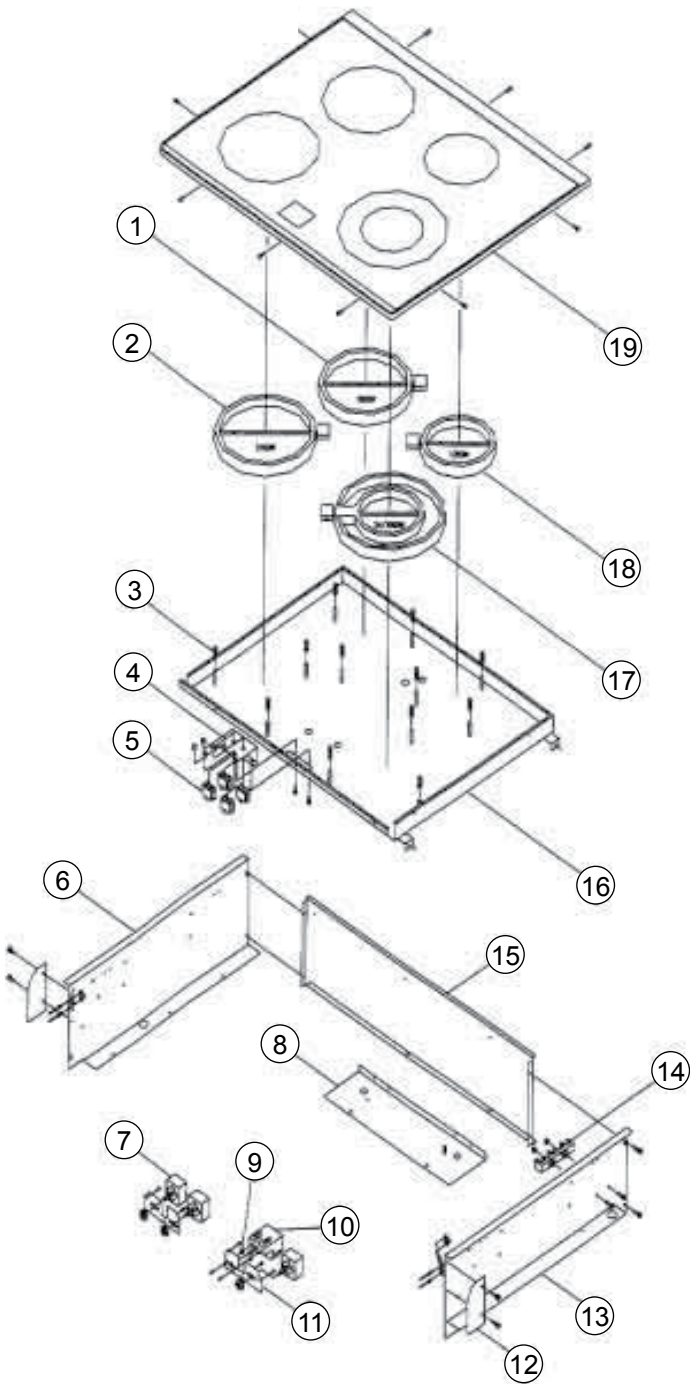


Item	Part #	Description
1	26629	CASE TOP
2	701582 ¹	DOOR LATCH MECHANISM ¹
3	701582 ¹	LATCH PLATE ¹
4	-----	OVEN CELL (not replaceable)
5	27454	ASSY, CASE SIDE, LEFT
6	82650	SUPPORT RACK
7	82230	OVEN RACK
8	82106	PLATED GRILL, BROILER PAN
9	82107	PORCELAIN PAN
10	82817	BROIL ELEMENT, 3000W, 240V
11	86745	BAKE ELEMENT, 2200W, 240V
12	82891	FILTER, CONVECTION
13	26655BP	CONVECTION BAFFLE
14	82377	CONVECTION ELEMENT, 240V
15	82651	FAN BLADE, CONVECTION

Item	Part #	Description
16	82826	SMOKE ELIMINATOR
17	701750	LIGHT SERVICE KIT
	82089	LIGHT BULB
18	26034	HEAT SHIELD, STORAGE
19	82851	RECEPTACLE, HINGE, DOOR
20	27453	ASSY, CASE SIDE, RIGHT
21	86663	TEMPERATURE SENSOR
22	36280	ASSY, CONV. MOTOR MOUNTING PLATE
23	82647	CONVECTION MOTOR
24	26632	CASE BACK
25	26357	TERMINAL BLOCK COVER
26	26560	COVER PLATE, LIGHT
27	82987	THERMAL SWITCH, HI-TEMP CUTOUT
28	82240	EXHAUST TUBE

¹Must order kit # 701582. Includes latch, latch plate and 6 screws.

RSE Range Top Frame Assembly



Item	Part #	Description
1	82238	ELEMENT 1900W
2	82825	ELEMENT 2100W
3	83227	SPRING, COMP, 1 X .30 X .031
4	26690	BRKT, RESIDUAL HEAT IND.
5	82186	LIGHT, RESIDUAL HEAT INDICATOR
6	26118	SIDE SUPPORT, LEFT, RANGE
7	82521	INIFINITE SWITCH
8	78060	AIR BAFFLE, RANGE
9	83259	SPACER, .17 ID X .25 OD X .125 ALUM.
10	82332	SWITCH, INFINITE, 16A, 240V
11	26403	PLATE, SWITCH MTG
12	26693	PLATE, AIR BAFFLE, BEZEL
13	78048	SIDE SUPPORT, RIGHT, RANGE
14	82151	TERMINAL BLOCK
15	26694	REAR PANEL
16	27092	ASSY, ELEMENT MTG. CHASSIS
17	66134	ELEMENT 1000/2400W
18	82803	ELEMENT 1200W
19	13119 [*]	ASSY, FRAME\CERAN
	13555RF	ASSY, FRAME\CERAN FOR RSE30RF

* Letter at end of part number indicates color:

B = black

R = arctic white

Part no longer available?

Contact Dacor: (800) 793-0093 ex. 3814