



The Life of the Kitchen.®

# PARTS CATALOG

## RSD Range

**IMPORTANT:** This product may have some parts that are **No Longer Available (NLA)**. If the part you need is no longer available, please contact Dacor for a possible solution:

### DACOR CARES PROGRAM NLA Part Locator Service

**Customer Contact Number:**

(800) 793-0093 ex. 2813  
Hours: 6:00 AM - 5:00 PM Pacific Time

**Service Agent/Technician Contact Number:**

(800) 793-0093 ex. 3814  
Hours: 7:00 AM - 4:00 PM Pacific Time

**Web Inquiries:** [www.dacor.com/dacorcares](http://www.dacor.com/dacorcares)

**Email Inquiries:** [dacorcares@dacor.com](mailto:dacorcares@dacor.com)

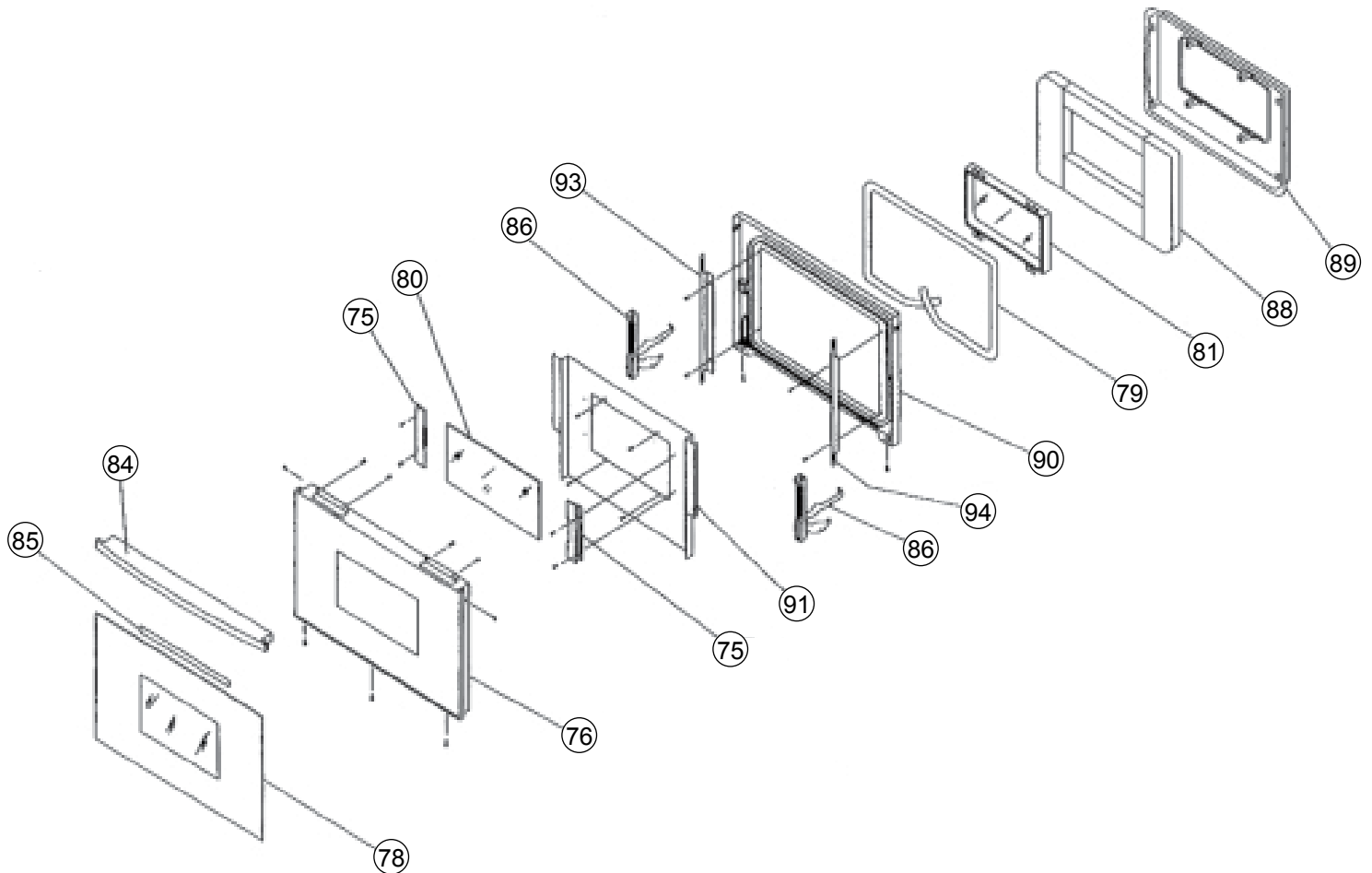
Please provide the following information:

- Your name and phone number
- Product model number
- Product serial number
- The part number(s) you need

| Page | Description                       |
|------|-----------------------------------|
| 2    | Door Assembly (Rev D and Earlier) |
| 3    | Door Assembly (Rev E and Later)   |
| 4    | Sub-Chassis Assembly              |
| 5    | Base Assembly                     |
| 6    | Gas Tubing/Control Assembly       |
| 7    | Oven Case Assembly                |
| 8    | Manifold Assembly                 |
| 9    | Control Panel/Trim                |
| 10   | Top Frame Assembly                |

Revised 04-22-2013

# RSD Range Door Assembly (Rev D and Earlier)

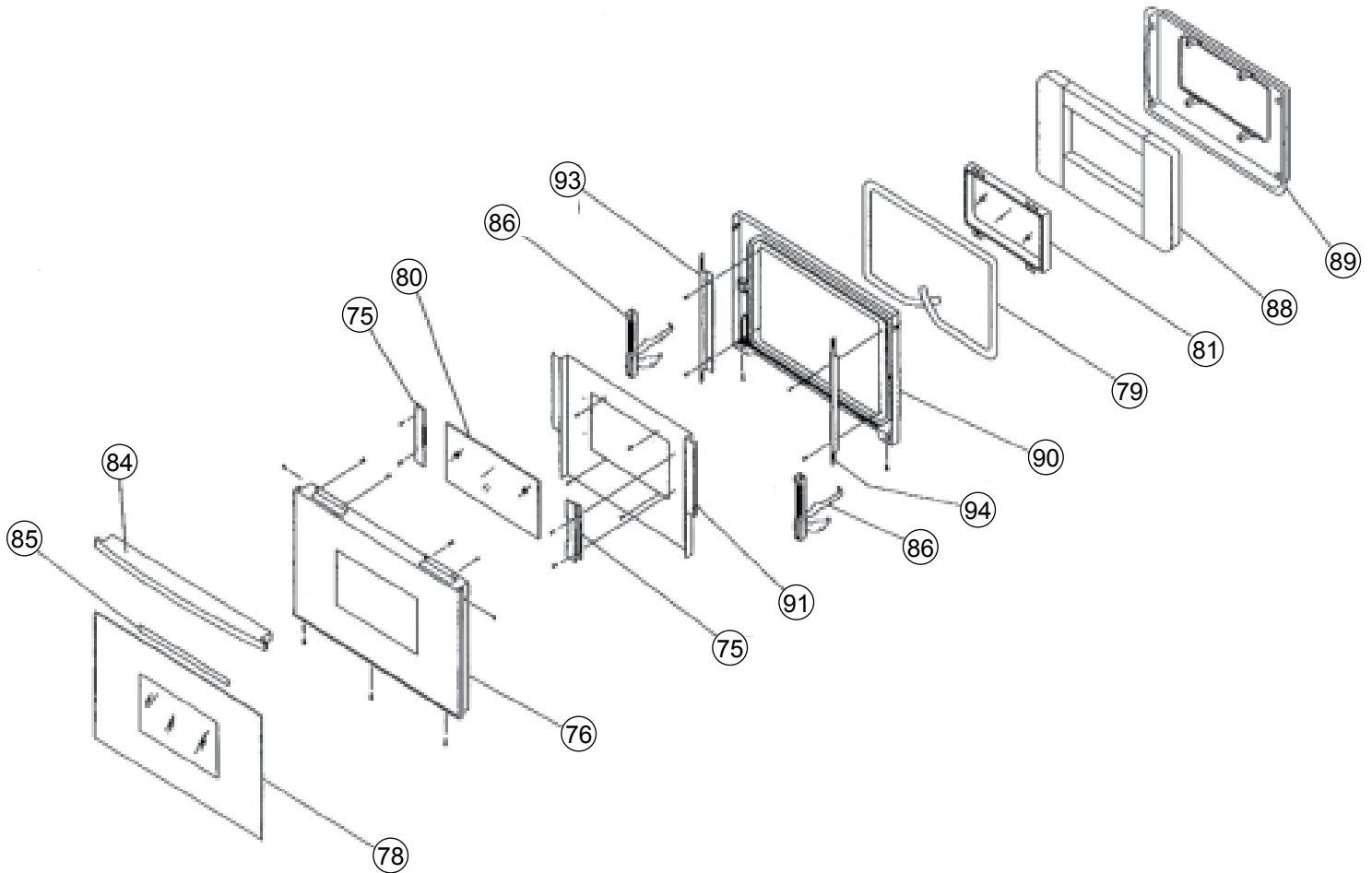


| Item | Part     | Description                             |
|------|----------|---|
| 75   | -----    | OBSOLETE                                |
| 76   | 27607[*] | FRAME, GLASS MOUNTING                   |
| 78   | 86360    | GLASS/OVERLAY ASSEMBLY                  |
| 79   | 72027    | GASKET, DOOR                            |
| 80   | -----    | OBSOLETE                                |
| 81   | 12470    | WINDOW PACK (10X16, double)             |
|      | 82790BP  | "J"-TRIM WINDOW PACK, (black porcelain) |
|      | 26429    | THERMOCORD, WINDOW PACK                 |
| 84   | 82122[*] | HANDLE                                  |
| 85   | 83224    | TAPE, DOUBLE SIDED, .30 THK             |

| Item | Part    | Description                           |
|------|---------|---------------------------------------|
| 86   | 82508   | HINGE (stainless front)               |
|      | 82883   | HINGE (use for black and white units) |
| 88   | 80172   | INSULATION                            |
| 89   | 27459BP | LINER, INNER                          |
| 90   | 86746   | LINER, OUTER                          |
| 91   | 26575B  | HEAT SHIELD                           |
| 93   | 26577   | SHIELD, LEFT                          |
| 94   | 26576   | SHIELD, RIGHT                         |

\* Letter at end of part number indicates color:  
 A = almond  
 B = black  
 R = arctic white

# RSD Range Door Assembly (Rev E and Later)



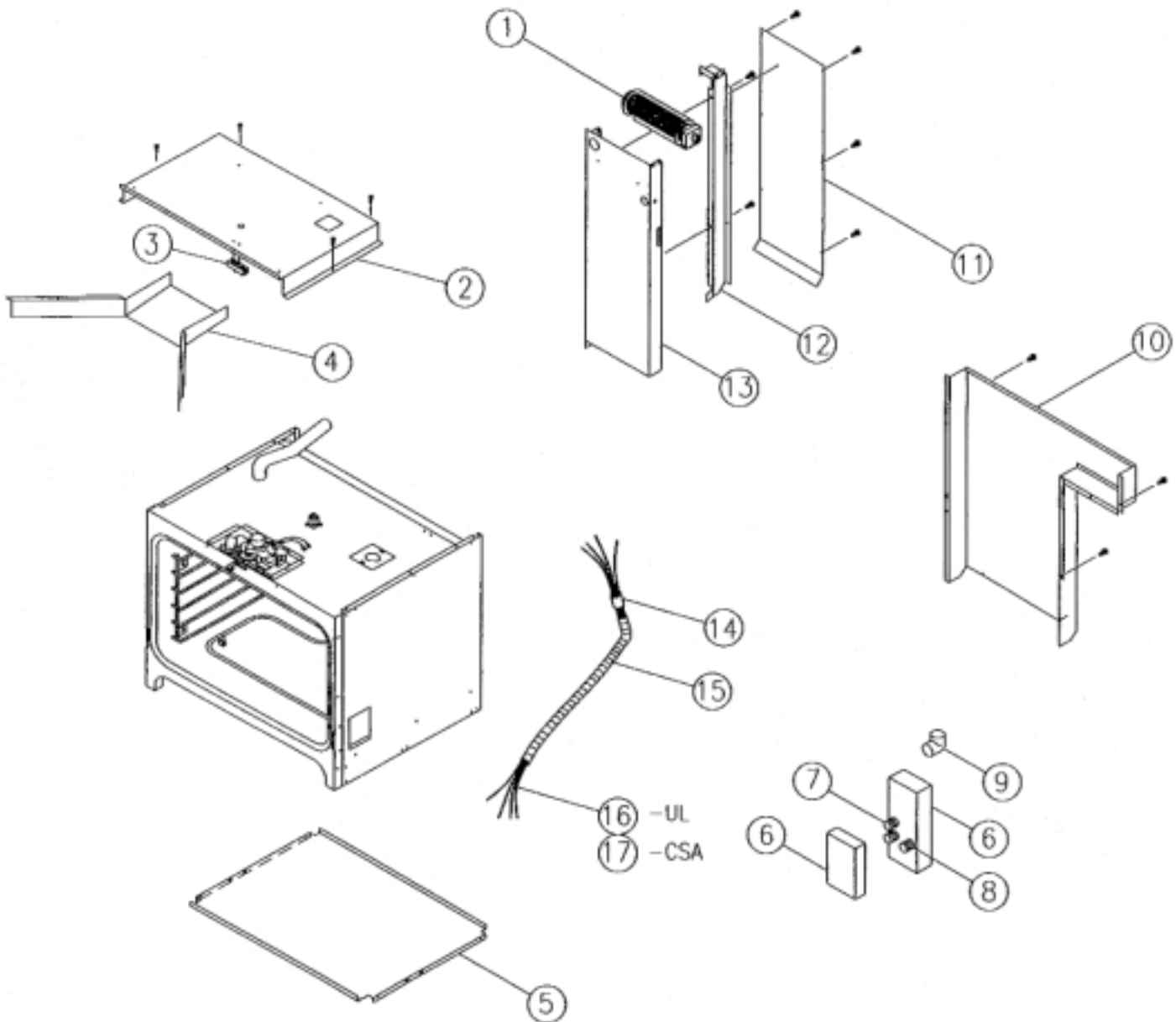
| Item | Part     | Description                 |
|------|----------|-----------------------------|
| 75   | -----    | OBSOLETE                    |
| 76   | 27607[*] | FRAME, GLASS MOUNTING       |
| 78   | 86360    | GLASS/OVERLAY ASSEMBLY      |
| 79   | 72020    | GASKET, DOOR                |
| 80   | -----    | OBSOLETE                    |
| 81   | 72148    | WINDOW PACK                 |
| 84   | 82122[*] | HANDLE                      |
| 85   | 83224    | TAPE, DOUBLE SIDED, .30 THK |

| Item | Part #  | Description                           |
|------|---------|---------------------------------------|
| 86   | 82508   | HINGE (stainless front)               |
|      | 82883   | HINGE (use for black and white units) |
| 88   | 80213   | INSULATION                            |
| 89   | 27728BP | LINER, INNER                          |
| 90   | 27460BP | LINER, OUTER                          |
| 91   | 36620B  | HEAT SHIELD                           |
| 93   | 36617   | SHIELD, LEFT                          |
| 94   | 36618   | SHIELD, RIGHT                         |
| -    | 83618   | DOOR BUMPERS (not shown)              |

\* Letter at end of part number indicates color:

- A = almond
- B = black
- R = arctic white

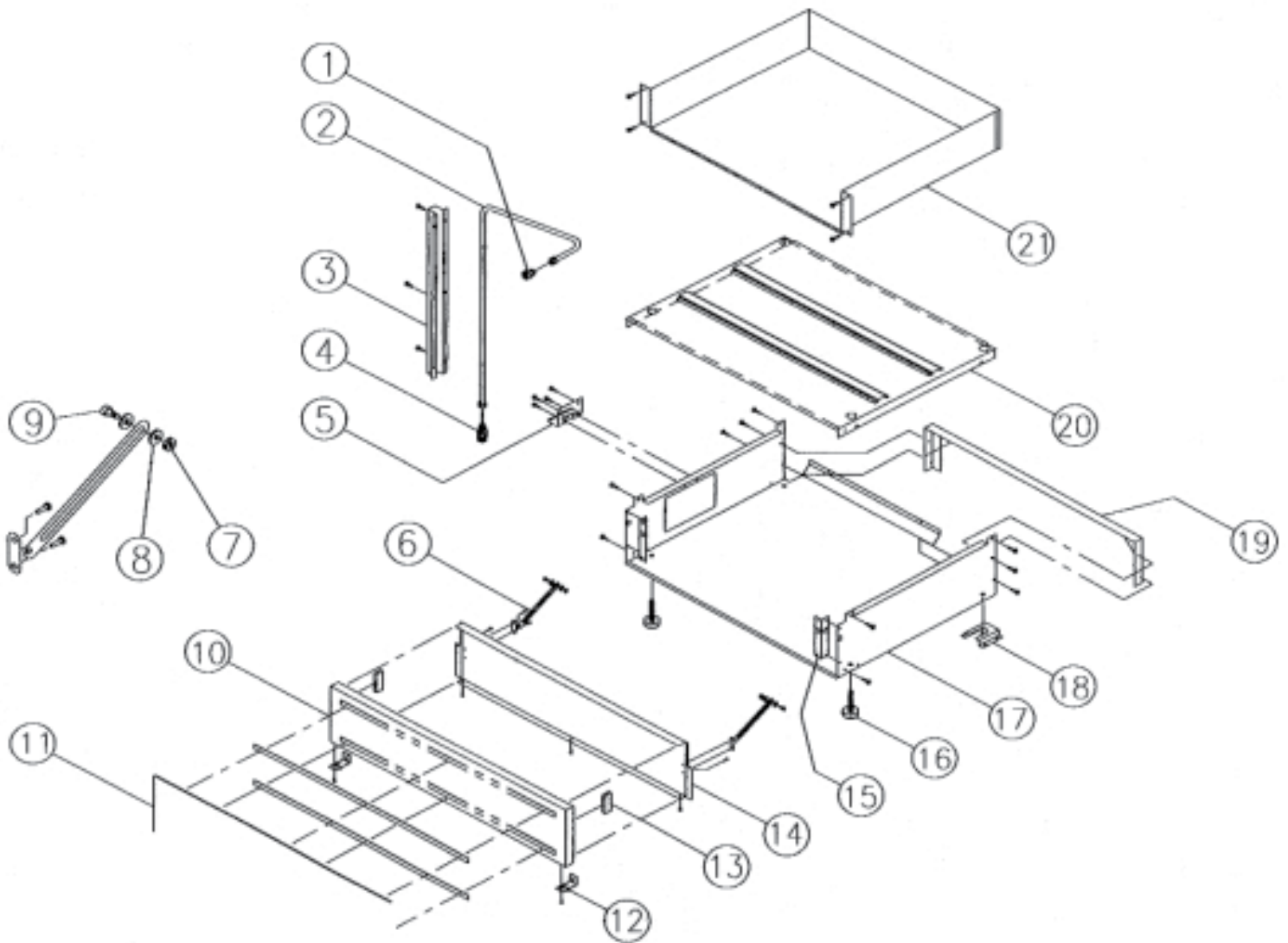
# RSD Range Sub-Chassis Assembly



| Item | Part # | Description            |
|------|--------|------------------------|
| 1    | 82986  | COOLING FAN            |
| 2    | 26044  | SUB CHASSIS            |
| 3    | 83566  | TERMINAL BLOCK, 2-POLE |
| 4    | 27455  | DUCT TRANSITION        |
| 5    | 26034  | HEAT SHIELD            |
| 6    | 12400  | FUSE BOX ASSEMBLY      |
| 7    | 83111  | FUSE, 15 AMP           |
|      | 83110  | FUSE, 15 AMP           |
| 8    | 82506  | CSA SINGLE SOCKET      |
|      | 83112  | FUSE, 30 AMP           |

| Item | Part # | Description                   |
|------|--------|-------------------------------|
| 9    | 82195  | 1/2 FLEX, 90 DEGREE CONNECTOR |
| 10   | 27094  | BACK COVER                    |
| 11   | 26084  | EXHAUST COVER                 |
| 12   | 27043  | DIVIDER                       |
| 13   | 26085  | EXHAUST DUCT                  |
| 14   | 83059  | CONNECTOR, 1/2 FLEX, STRAIGHT |
| 15   | 26420  | CONDUIT                       |
| 16   | 86672  | LEAD WIRE KIT, (UL)           |
| 17   | 86673  | LEAD WIRE KIT, (CSA)          |

# RSD Range Base Assembly



| Item               | Part #   | Description                         |
|--------------------|----------|-------------------------------------|
| <b>1</b>           | 83050    | ADAPTER, 3/8 FPT TO 3/8 TUBE        |
| <b>2</b>           | 82348    | GAS TUBE                            |
| <b>3</b>           | 26134    | RACEWAY, GAS TUBE                   |
| <b>4</b>           | 82208    | ADAPTER, 1/2 MNPT TO 3/8 TUBE       |
| <b>5</b>           | 26130    | BRACKET, INLET FITTING              |
| <b>6</b>           | 83068    | SUPPORT, STORAGE PANEL <sup>1</sup> |
| <b>7</b>           | 83048    | NUT, 8-32 KEPS                      |
| <b>8</b>           | 83194    | WASHER, NYLON                       |
| <b>9</b>           | 83220    | SHOULDER SCREW                      |
| <b>10 &amp; 11</b> | 13059    | FRONT PANEL (stainless)             |
|                    | 26851[*] | FRONT PANEL                         |

| Item      | Part # | Description                           |
|-----------|--------|---------------------------------------|
| <b>12</b> | 83044  | HINGE                                 |
| <b>13</b> | 83237  | CATCH, MAGNETIC                       |
| <b>14</b> | 26135  | LINER, STORAGE PANEL                  |
| <b>15</b> | 26052  | BRKT, STORAGE COMP. MTG.              |
| <b>16</b> | 83034  | LEVELER, ADJUSTABLE, 5/16"            |
|           | 83359  | LEVELER, ADJUSTABLE, 1/2"             |
| <b>17</b> | 27144  | ASSY, BASE, RANGE (uses 1/2" leveler) |
| <b>18</b> | 26041  | BRACKET, ANTI-TIP                     |
| <b>19</b> | 27048  | ASSY, STIFFENER, BASE                 |
| <b>20</b> | 27080  | EXHAUST PLATE ASSEMBLY                |
| <b>21</b> | 27068B | ASSEMBLY, STORAGE COMPARTMENT         |

<sup>1</sup> Includes items 7, 8 and 9.

\* Letter at end of part number indicates color:

A = almond

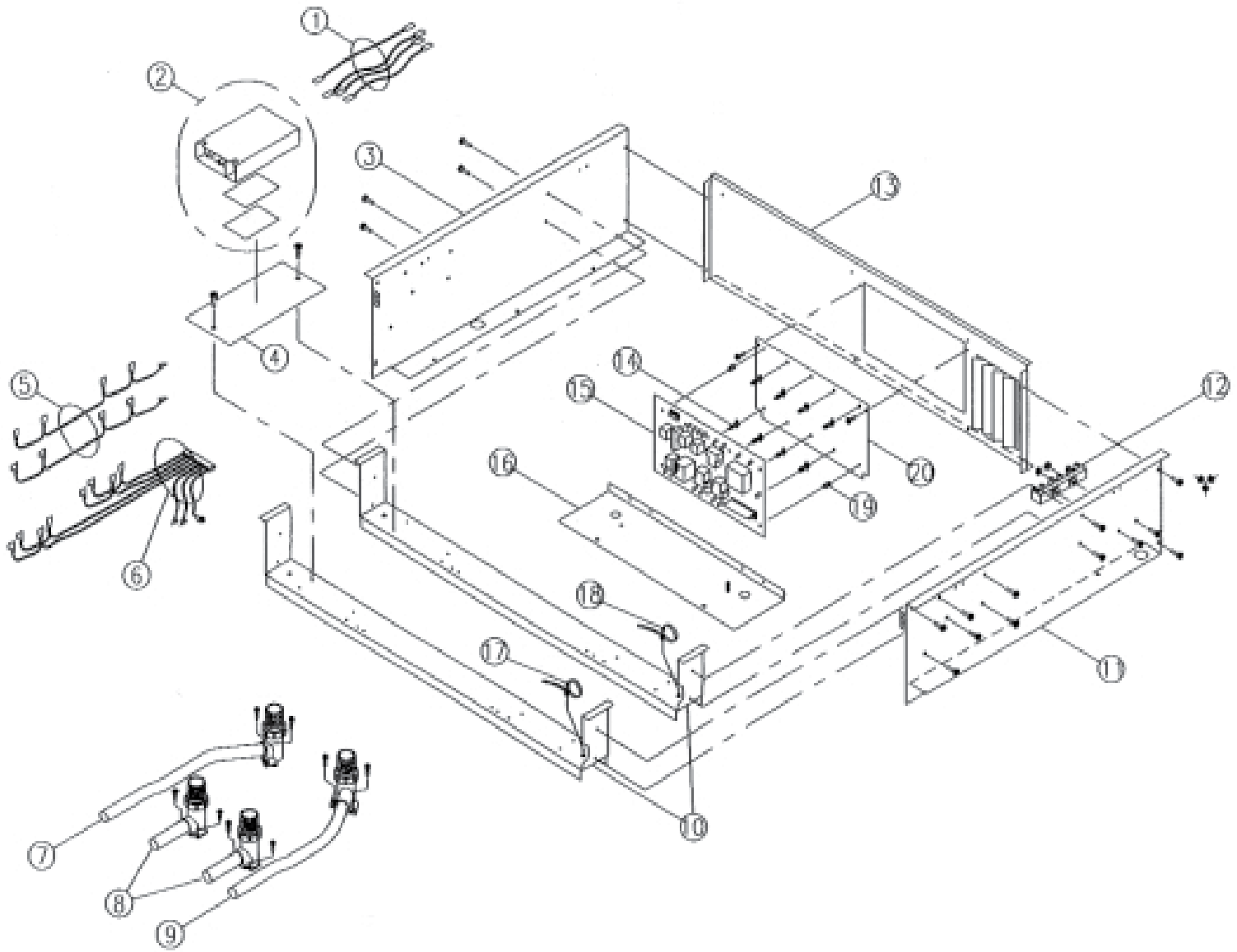
B = black

R = arctic white



Part no longer available? Contact Dacor: (800) 793-0093 ex. 3814

# RSD Gas Tubing/Control Assembly



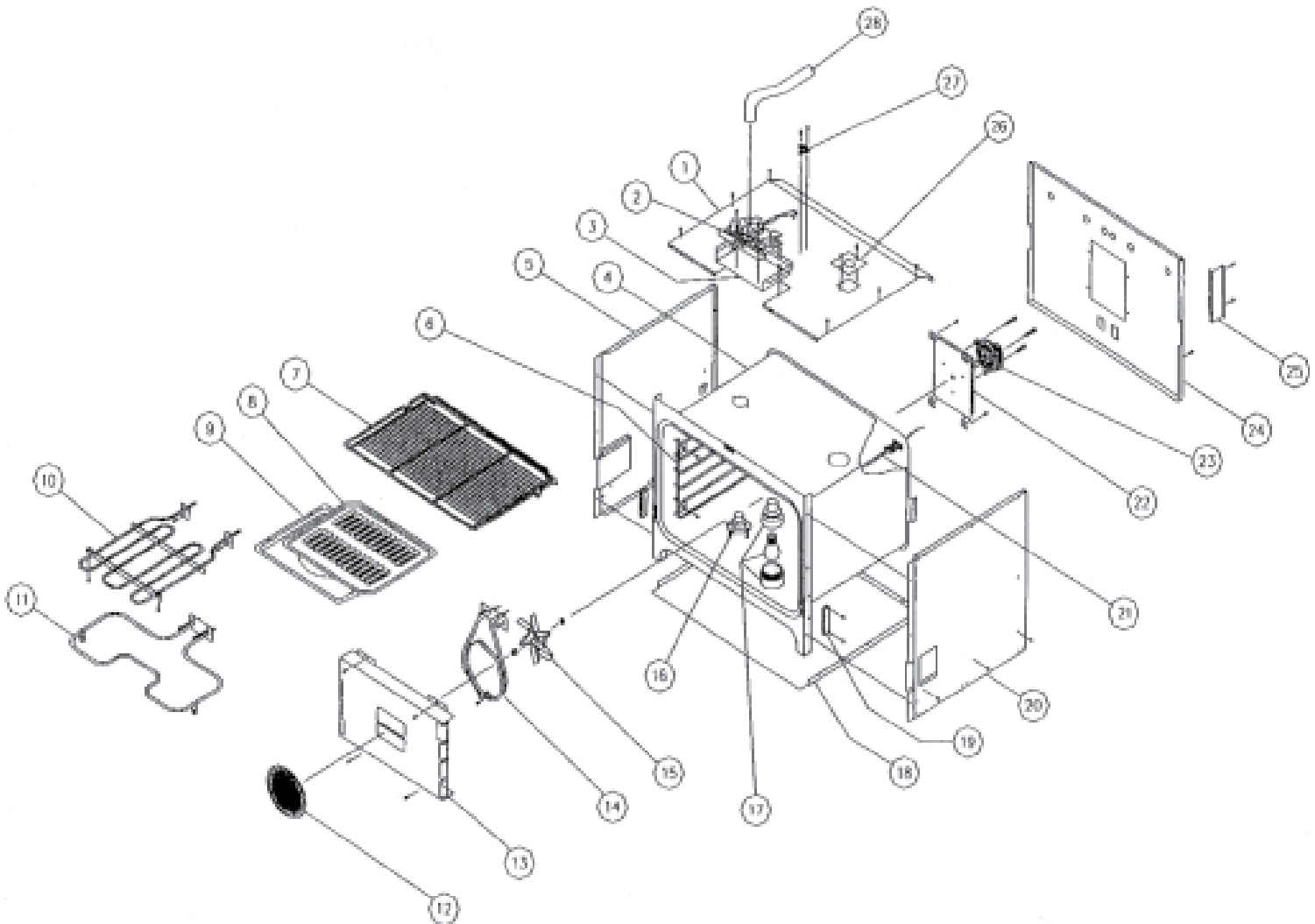
| Item      | Part # | Description                        |
|-----------|--------|------------------------------------|
| <b>1</b>  | 86079  | IGNITER WIRES (set of 4)           |
| <b>2</b>  | 86526  | SPARK MODULE, 4 POINT <sup>1</sup> |
| <b>3</b>  | 26118  | SIDE SUPPORT ASSEMBLY, LEFT        |
| <b>4</b>  | 26027  | SPARK BOX PLATE                    |
| <b>5</b>  | 86081  | JUMPER WIRES, LIGHTS/SWITCHES      |
| <b>6</b>  | 86080  | IGNITER HARNESS                    |
| <b>7</b>  | 82035  | BURNER TUBE/BASE, LEFT REAR        |
| <b>8</b>  | 82039  | BURNER TUBE/BASE, FRONT            |
| <b>9</b>  | 82038  | BURNER TUBE/BASE, RIGHT REAR       |
| <b>10</b> | 26068  | BURNER SUPPORT CHANNEL             |
| <b>11</b> | 27000  | SIDE SUPPORT ASSEMBLY, RIGHT       |

<sup>1</sup> Attaches with Velcro.

| Item      | Part #             | Description                       |
|-----------|--------------------|-----------------------------------|
| <b>12</b> | 82151              | TERMINAL BLOCK                    |
| <b>13</b> | 27038              | REAR PANEL ASSEMBLY               |
| <b>14</b> | 83538              | PCB SUPPORT, NYLON                |
| <b>15</b> | 92028              | RELAY PCB, 105 C                  |
| <b>16</b> | 27066              | ASSEMBLY, AIR BAFFLE              |
| <b>17</b> | 83037              | PUSH TIE                          |
| <b>18</b> | 83037              | PUSH TIE                          |
| <b>19</b> | 83053 <sup>2</sup> | STANDOFF, 6/32 X .438 LG, 1/4 HEX |
| <b>20</b> | 26072              | PCB MOUNTING PLATE                |
| -         | 82112              | HARNESS, ERC TO RELAY PCB         |

<sup>2</sup> Two used. Each requires screw (PN 83054) and nut (PN 83308).

# RSD Range Oven Case Assembly

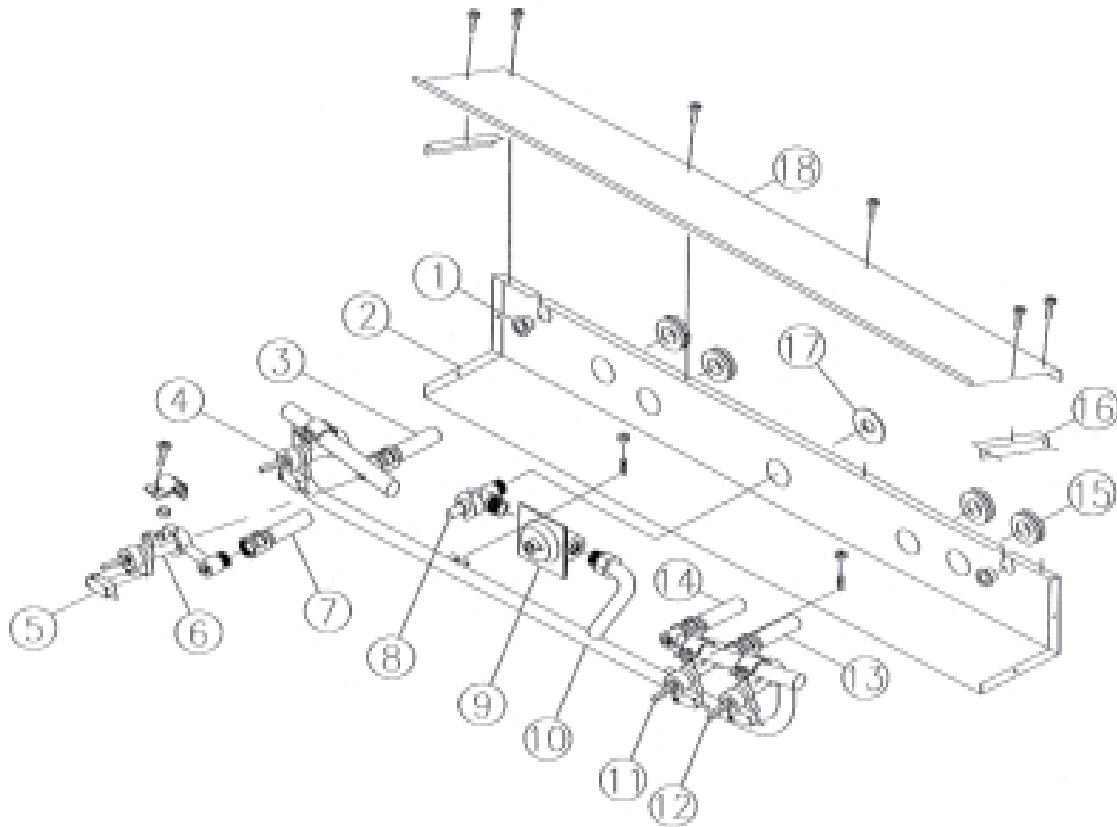


| Item | Part #              | Description                 |
|------|---------------------|-----------------------------|
| 1    | 26629               | CASE TOP                    |
| 2    | 701582 <sup>1</sup> | DOOR LATCH MECHANISM        |
| 3    | 701582 <sup>1</sup> | LATCH PLATE                 |
| 4    | -----               | OVEN CELL (not replaceable) |
| 5    | 27454               | ASSY, CASE SIDE, LEFT       |
| 6    | 82650               | SUPPORT RACK                |
| 7    | 82230               | OVEN RACK                   |
| 8    | 82106               | PLATED GRILL, BROILER PAN   |
| 9    | 82107               | PORCELAIN PAN               |
| 10   | 82817               | BROIL ELEMENT, 3000W, 240V  |
| 11   | 82880               | BAKE ELEMENT, 2200W, 240V   |
| 12   | 82891               | FILTER, CONVECTION          |
| 13   | 26655BP             | CONVECTION BAFFLE           |
| 14   | 82377               | CONVECTION ELEMENT, 240V    |
| 15   | 82651               | FAN BLADE, CONVECTION       |
| 16   | 82826               | SMOKE ELIMINATOR            |

| Item | Part #     | Description                      |
|------|------------|----------------------------------|
| 17   | 701750     | LIGHT SERVICE KIT                |
|      | 82089      | LIGHT BULB                       |
| 18   | 26034      | HEAT SHIELD, STORAGE             |
| 19   | 82851      | RECEPTACLE, HINGE, DOOR          |
| 20   | 27453      | ASSY, CASE SIDE, RIGHT           |
| 21   | 86663      | TEMPERATURE SENSOR               |
| 22   | 27470      | ASSY, CONV. MOTOR MOUNTING PLATE |
| 23   | 82647      | CONVECTION MOTOR                 |
| 24   | 26447      | CASE BACK                        |
| 25   | 26357      | TERMINAL BLOCK COVER             |
| 26   | 26560      | COVER PLATE, LIGHT               |
| 27   | 82987      | THERMAL SWITCH, HI-TEMP CUTOUT   |
| 28   | 82240      | EXHAUST TUBE                     |
| -    | 13425B/S/R | 3 INCH SIDE PANEL, RIGHT         |
| -    | 13426B/S/R | 3 INCH SIDE PANEL, LEFT          |

<sup>1</sup>Must order kit # 701582. Includes latch, latch plate and 6 screws.

# RSD Range Manifold Assembly



| Item | Nat. Gas Part #    | LP Part #          | Description                       |
|------|--------------------|--------------------|-----------------------------------|
| 1    | 83061              | 83061              | BUSHING, 5/8 DIA                  |
| 2    | 27095 <sup>1</sup> | 27095 <sup>1</sup> | ASSY, MANIFOLD ENCLOSURE          |
| 3    | 86373              | 86373              | C-AIR SHUTTER                     |
| 4    | 86088 <sup>2</sup> | 86089 <sup>2</sup> | C-VALVE W/JETS, LEFT REAR, EARLY  |
|      | 86305 <sup>3</sup> | 86307 <sup>3</sup> | C-VALVE W/JETS, LEFT REAR, LATER  |
| 5    | 86420              | 86420              | MICROSWITCH                       |
| 6    | 86083 <sup>2</sup> | 86082 <sup>2</sup> | B-VALVE W/JETS, LEFT FRONT, EARLY |
|      | 86275 <sup>3</sup> | 86277 <sup>3</sup> | B-VALVE W/JETS, LEFT FRONT, LATER |
| 7    | 86372              | 86372              | B-AIR SHUTTER                     |
| 8    | 82080              | 82080              | GAS VALVE, 90, 3/8 NPT            |
| 9    | 82540 <sup>4</sup> | 82540 <sup>4</sup> | REGULATOR, 1/2 X 1/2 <sup>4</sup> |
| 10   | 62121 <sup>5</sup> | 62099 <sup>5</sup> | MANIFOLD ASSEMBLY, COMPLETE       |

| Item | Nat. Gas Part #    | LP Part #          | Description                        |
|------|--------------------|--------------------|------------------------------------|
| 11   | 86087 <sup>2</sup> | 86086 <sup>2</sup> | C-VALVE W/JETS, RIGHT FRONT, EARLY |
|      | 86298 <sup>3</sup> | 86302 <sup>3</sup> | C-VALVE W/JETS, RIGHT FRONT, LATER |
| 12   | 86085 <sup>2</sup> | 86084 <sup>2</sup> | B-VALVE W/JETS, RIGHT REAR, EARLY  |
|      | 86280 <sup>3</sup> | 86296 <sup>3</sup> | B-VALVE W/JETS, RIGHT REAR, LATER  |
| 13   | 86372              | 86372              | B-AIR SHUTTER                      |
| 14   | 86373              | 86373              | C-AIR SHUTTER                      |
| 15   | 83058              | 83058              | GROMMET, EPDM RUBBER               |
| 16   | 26097              | 26097              | BRACKET, MTG., ENCLOSURE           |
| 17   | 83067              | 83067              | SEAL, SHUT-OFF VALVE               |
| 18   | 26098              | 26098              | ENCLOSURE TOP, MANIFOLD            |
| -    | 62058              | 62058              | BRASS PLUG, MANIFOLD (not shown)   |

<sup>1</sup> After 6/25/96 this part number changed to 27095. Pry-out plug (PN 83387) is needed to block the right hole when replacing older enclosures.

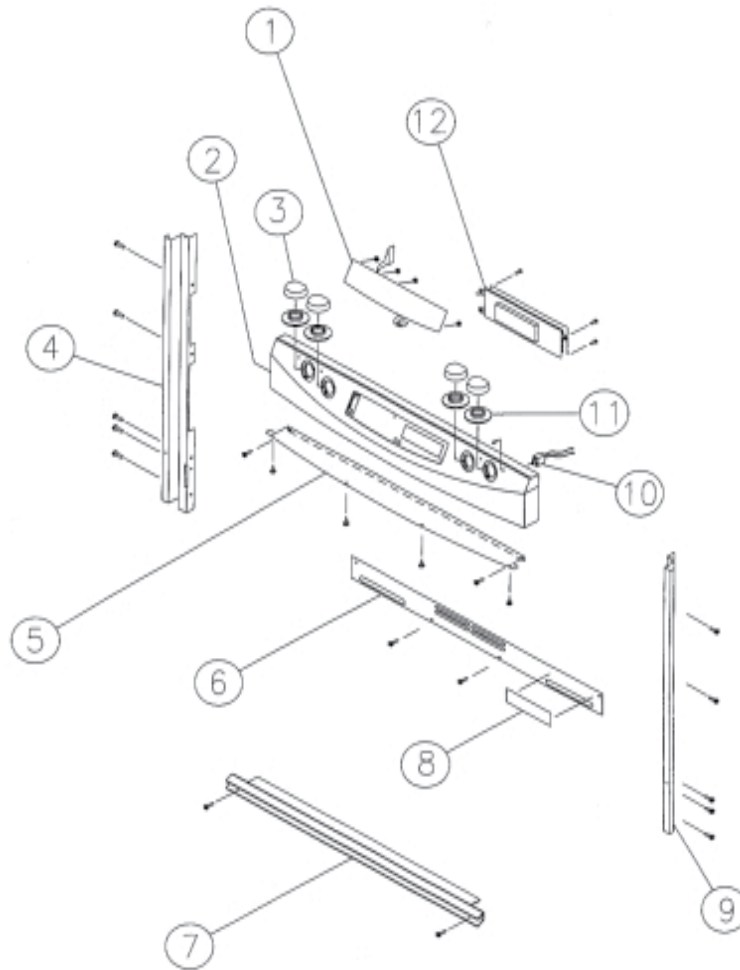
<sup>2</sup> For units prior to serial number FD7220084.

<sup>3</sup> For units starting at serial number FD7220084 and later.

<sup>4</sup> Replace bushing (PN 62002), when replacing regulator.

<sup>5</sup> Replace with Regional Service Manager approval only.

# RSD Range Control Panel/Trim



| Item | Part #                   | Description        |
|------|--------------------------|--------------------|
| 1    | 82063[*] <sup>1</sup>    | MEMBRANE           |
| 2    | 76480[*] <sup>1, 2</sup> | BEZEL ASSEMBLY     |
| 3    | 82016[*]                 | KNOB               |
| 4    | 26143[*]                 | TRIM POST, LEFT    |
| 5    | 26119B                   | CONTROL BEZEL TRIM |
| 6    | 26638B                   | INTAKE GRILL       |

| Item | Part #   | Description           |
|------|----------|-----------------------|
| 7    | 26069[*] | EXHAUST GRILL         |
| 8    | 82873    | NAMEPLATE, SELF CLEAN |
| 9    | 26139[*] | TRIM POST, RIGHT      |
| 10   | 82233    | INDICATOR LIGHT       |
| 11   | 82036[*] | SPILL PROTECTOR       |
| 12   | 62692    | OVEN CONTROL          |

\* Letter at end of part number indicates color:

A = almond  
 B = black  
 R = arctic white

<sup>1</sup> Use black for almond units.

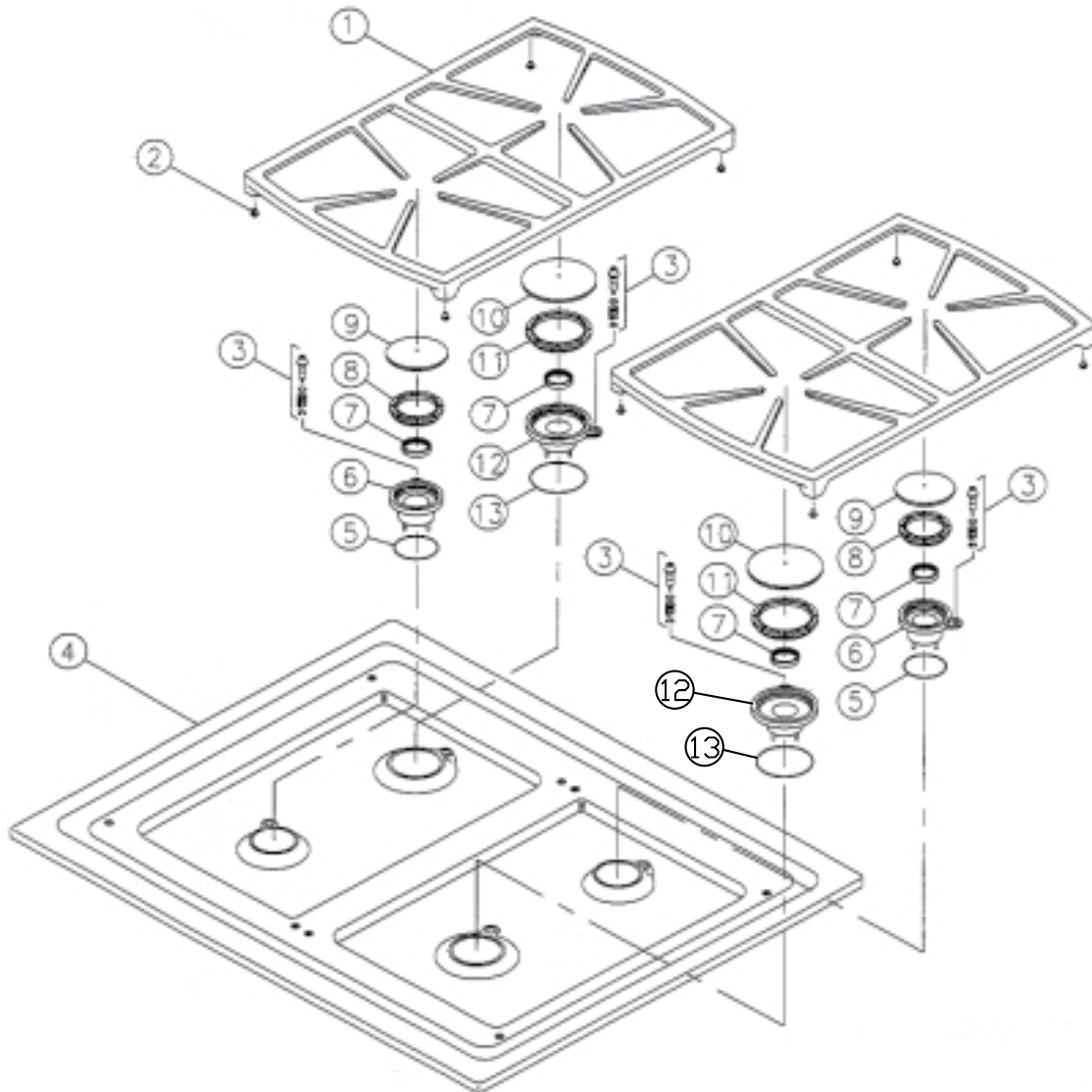
<sup>2</sup> Four indicator light assemblies (PN 82233) are also required for the following units:

Almond and black models beginning with serial number FA5290007 and later.

Stainless models beginning with serial number FA528001 and later.

Arctic white models beginning with serial number FA5280032 and later.

# RSD Range Top Frame Assembly



| Item | Part #               | Description                            |
|------|----------------------|--|
| 1    | 62736BM <sup>1</sup> | GRATE PACK <sup>1</sup>                |
| 2    | 66916                | GRATE SUPPORT PAD KIT (4 pads per kit) |
| 3    | 76482-001            | IGNITOR ASSEMBLY                       |
| 4    | 26000[**]            | TOP FRAME                              |
| 5    | 86937                | O-RING, B - BURNER HEAD                |
| 6    | 62951                | B - BURNER HEAD ASSEMBLY, W/IGNITER    |
| 7    | 86405                | BRASS NUT; B/C - BURNER HEAD           |

| Item | Part #             | Description                         |
|------|--------------------|-------------------------------------|
| 7    | 86405              | BRASS NUT; B/C - BURNER HEAD        |
| 8    | 86408 <sup>2</sup> | B - BURNER RING                     |
| 9    | 86524BM            | B - BURNER CAP, (medium sized)      |
| 10   | 86523BM            | C - BURNER CAP, (large sized)       |
| 11   | 86407 <sup>2</sup> | C - BURNER RING                     |
| 12   | 62952              | C - BURNER HEAD ASSEMBLY, W/IGNITER |
| 13   | 86397              | O-RING, C - BURNER HEAD             |

<sup>1</sup> On Rev. E and earlier units, all 3 grates must be replaced at the same time due to a grate dimension change.

\*\* Letters at end of part number indicate color:

- AP = almond
- BP = black
- RP = arctic white
- SG = stainless

<sup>2</sup> Burner ring kit part # 82953 (set of 4) should be used when replacing all 4 igniters or burner assemblies. Units with a revision of N or higher will have the individual part number (old) style of rings.