

The Dacor logo is rendered in a bold, italicized, sans-serif font with a metallic, 3D effect. The letters are dark with a lighter, reflective highlight on the top and left sides, giving it a sleek, modern appearance. A registered trademark symbol (®) is located at the end of the word.

# **dacor**®

The Life of the Kitchen.®

A photograph of a white Dacor PGR Range is shown in a kitchen setting. The range has a stainless steel cooktop with four burners and a white ceramic bowl on it. The oven door is visible below the cooktop. The background shows a kitchen counter with various items like a bottle of oil and some produce.

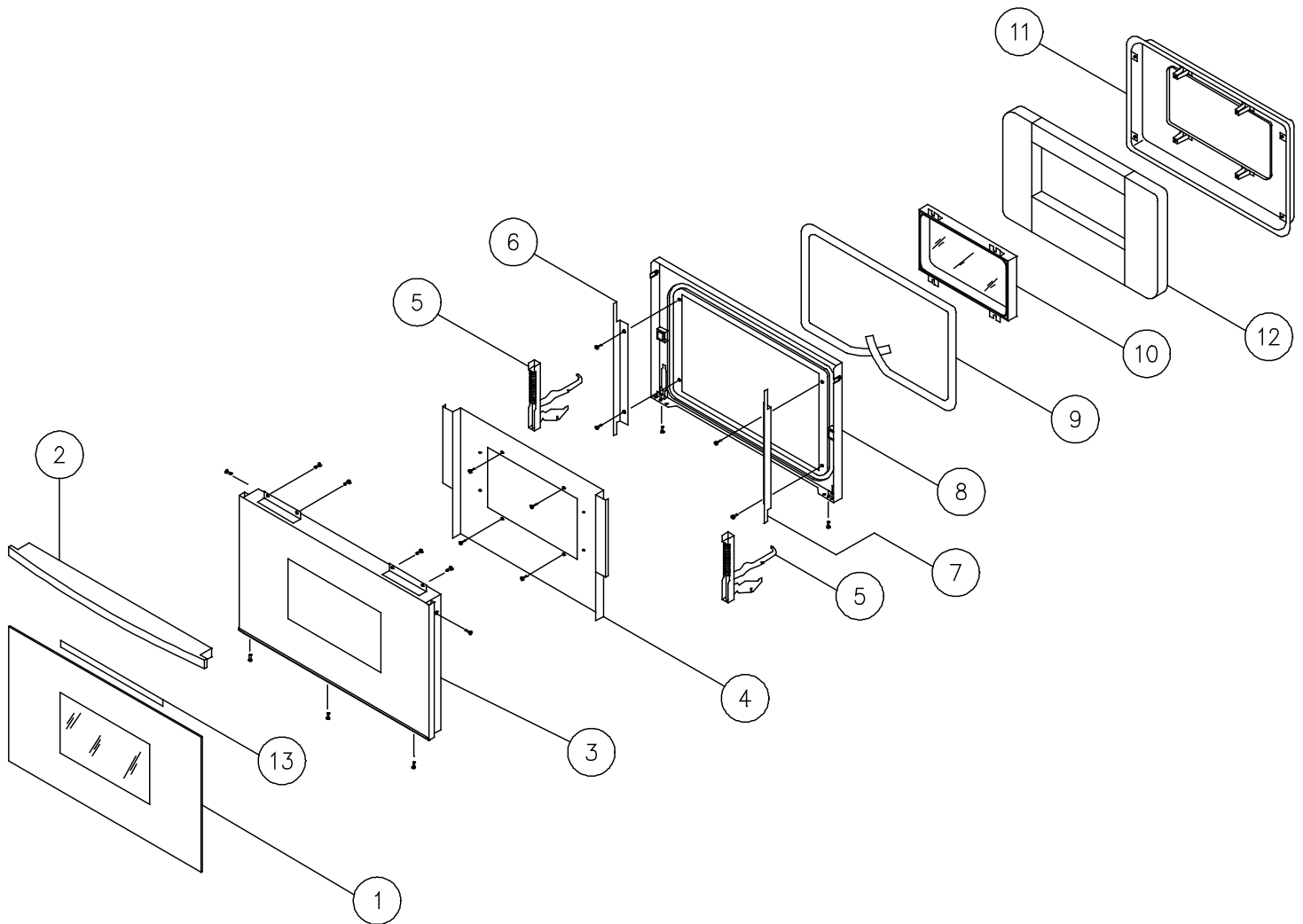
## **PARTS CATALOG**

### **PGR Range**

<b>Page</b>	<b>Description</b>
<b>2</b>	<b>Door Assembly (Rev D and Earlier)</b>
<b>3</b>	<b>Door Assembly (Rev E and Later)</b>
<b>4</b>	<b>Base Assembly</b>
<b>5</b>	<b>Control Assembly</b>
<b>6</b>	<b>Oven Cell Assembly</b>
<b>7</b>	<b>Manifold Assembly</b>
<b>8</b>	<b>Bezel Assembly</b>
<b>9</b>	<b>Oven Components</b>
<b>10</b>	<b>Top Frame Assembly</b>

Revised 04-22-2013

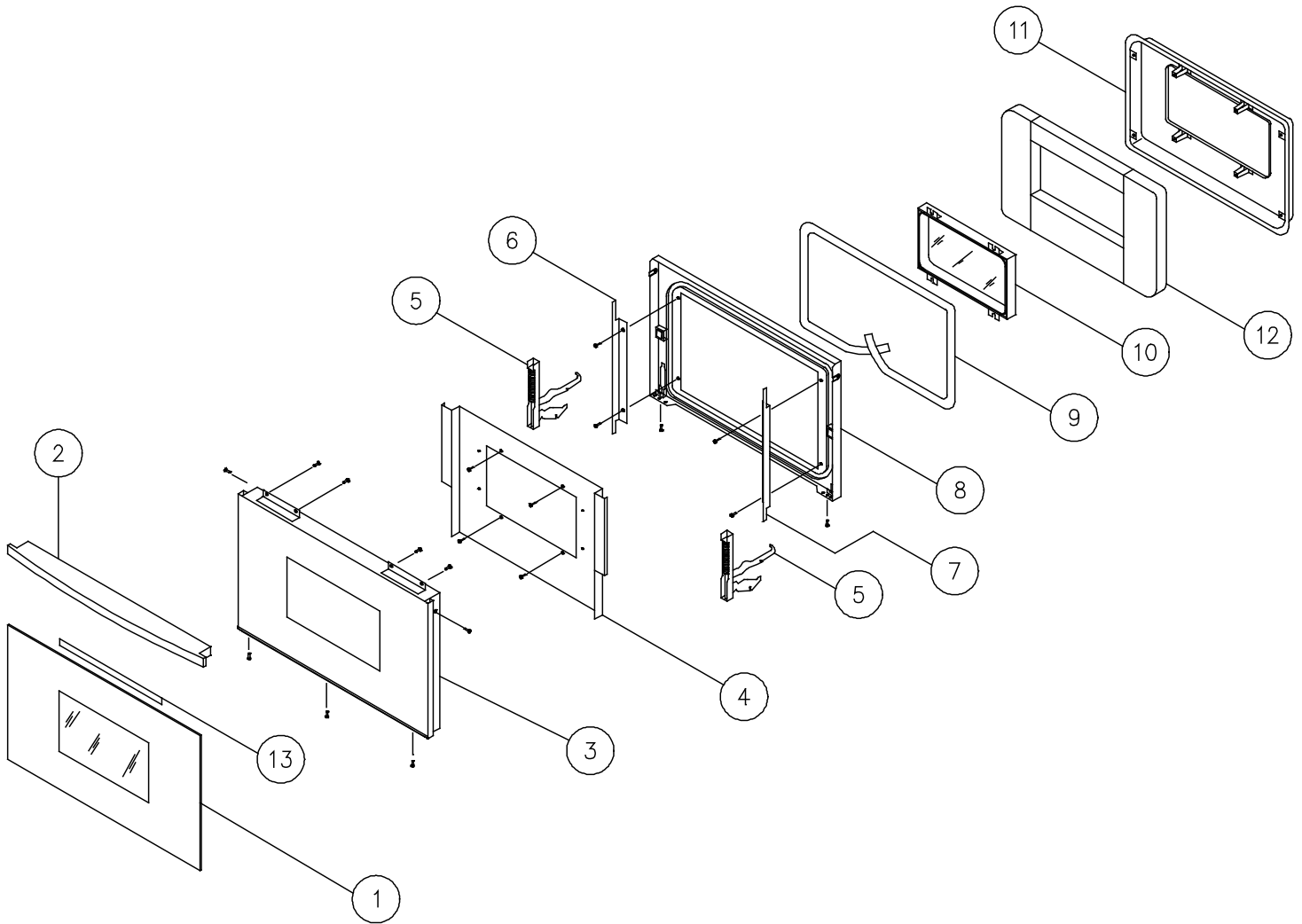
# PGR Range Door Assembly (Rev D and Earlier)



Item	Part #	Description
1	86360	GLASS/OVERLAY ASSEMBLY (STAINLESS)
	82216B	GLASS/OVERLAY ASSEMBLY (BLACK)
	82216R	GLASS/OVERLAY ASSEMBLY (WHITE)
2	72282B	DOOR HANDLE (BLACK)
	72282R	DOOR HANDLE (WHITE)
3	27607B	FRAME, GLASS MOUNTING (BLACK)
	27607R	FRAME, GLASS MOUNTING (WHITE)
4	36354	HEAT SHIELD (STAINLESS)
	26574	HEAT SHIELD (BLACK/WHITE)
5	82508	DOOR HINGE (STAINLESS)
	82883	DOOR HINGE (BLACK/WHITE)
6	26576	LEFT SHIELD

Item	Part #	Description
7	26577	RIGHT SHIELD
8	86746	OUTER LINER
9	72027	DOOR GASKET
10	12470	WINDOW PACK
	82790BP	J-TRIM WINDOW PACK
	26429	THERMOCORD WINDOW PACK
11	27459BP	LINER, INNER
12	80172	INSULATION
13	83224	TAPE. DOUBLE SIDED
-	78920	BRACKET, INNER LINER (not shown)
-	66622	COMPLETE DOOR ASSEMBLY (BLACK/WHITE)
-	66623	COMPLETE DOOR ASSEMBLY (STAINLESS)

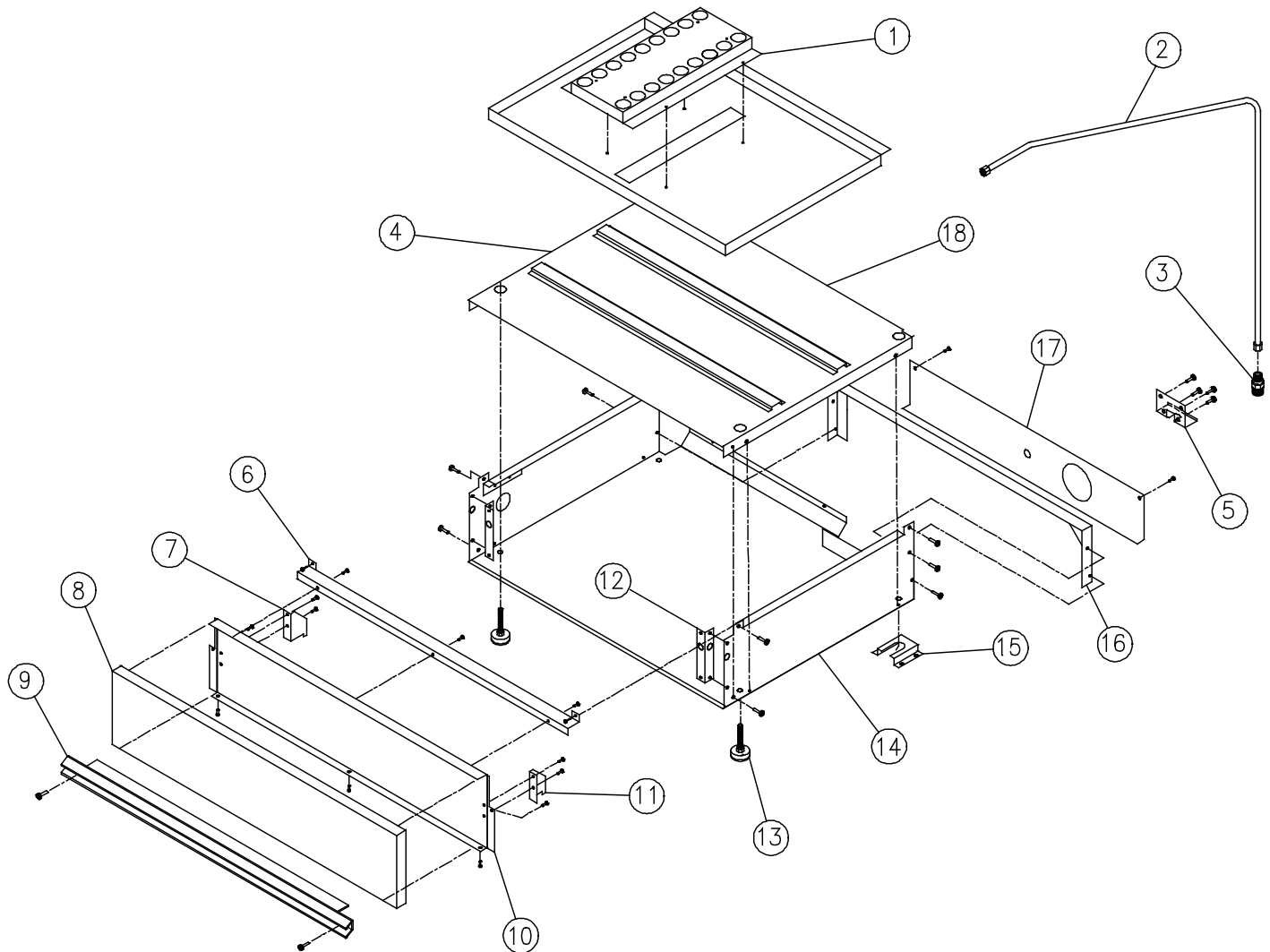
# PGR Range Door Assembly (Rev E and Later)



Item	Part #	Description
1	86360	GLASS/OVERLAY ASSEMBLY (STAINLESS)
	82216B	GLASS/OVERLAY ASSEMBLY (BLACK)
	82216R	GLASS/OVERLAY ASSEMBLY (WHITE)
2	72282B	DOOR HANDLE (BLACK)
	72282R	DOOR HANDLE (WHITE)
3	27607B	FRAME, GLASS MOUNTING (BLACK)
	27607R	FRAME, GLASS MOUNTING (WHITE)
4	36622B	HEAT SHIELD (STAINLESS)
	36620B	HEAT SHIELD (BLACK/WHITE)
5	82508	DOOR HINGE (STAINLESS)
	82883	DOOR HINGE (BLACK/WHITE)
6	36617	LEFT SHIELD

Item	Part #	Description
7	36618	RIGHT SHIELD
8	27460B	OUTER LINER
9	72020	DOOR GASKET
10	72148	WINDOW PACK
11	27728BP	LINER, INNER
12	80213	INSULATION
13	83224	TAPE. DOUBLE SIDED
-	83618	DOOR BUMPERS (not shown)
-	38230	BRACKET, INNER LINER (not shown)
-	66622	COMPLETE DOOR ASSEMBLY (BLACK/WHITE)
-	66623	COMPLETE DOOR ASSEMBLY (STAINLESS)

# PGR Range Base Assembly



Item	Part #	Description
<b>1</b>	26127	CASE BOTTOM COVER
<b>2</b>	62716	5/8" GAS INPUT TUBE
<b>3</b>	62728	ADAPTER, (1/2MNPT TO 3/8A)
<b>4</b>	26533	CASE BOTTOM
<b>5</b>	26130	BRACKET, INLET FITTING
<b>6</b>	26477	BRACKET, KICK PANEL
<b>7</b>	26183	BRACKET, KICK PANEL SUPPORT - LH
<b>8</b>	13065[*] <sup>1</sup>	ASSEMBLY, STORAGE PANEL
<b>9</b>	26069B	EXHAUST GRILL, LOWER (black)
	26069R	EXHAUST GRILL, LOWER (white)

Item	Part #	Description
<b>10</b>	26241B	LINER, KICK PANEL (black)
	26241R	LINER, KICK PANEL (white)
<b>11</b>	26280	BRACKET, KICK PANEL SUPPORT - RH
<b>12</b>	26052	BRACKET, STORAGE COMPARTMENT MTG
<b>13</b>	83034	LEVELER, ADJUSTABLE 5/16
	83359	LEVELER, ADJUSTABLE 1/2
<b>14</b>	27174	ASSY, BASE (uses 1/2" leveler)
<b>15</b>	26041	BRACKET, ANTI-TIP
<b>16</b>	27048	STIFFENER ASSY, BASE
<b>17</b>	26239	BASE, BACK COVER
<b>18</b>	27153	ASSY, EXHAUST PLATE
-	83571	STAINLESS SCREW
-	83263	BLACK SCREW

<sup>1</sup> Includes items 7, 10 and 11.

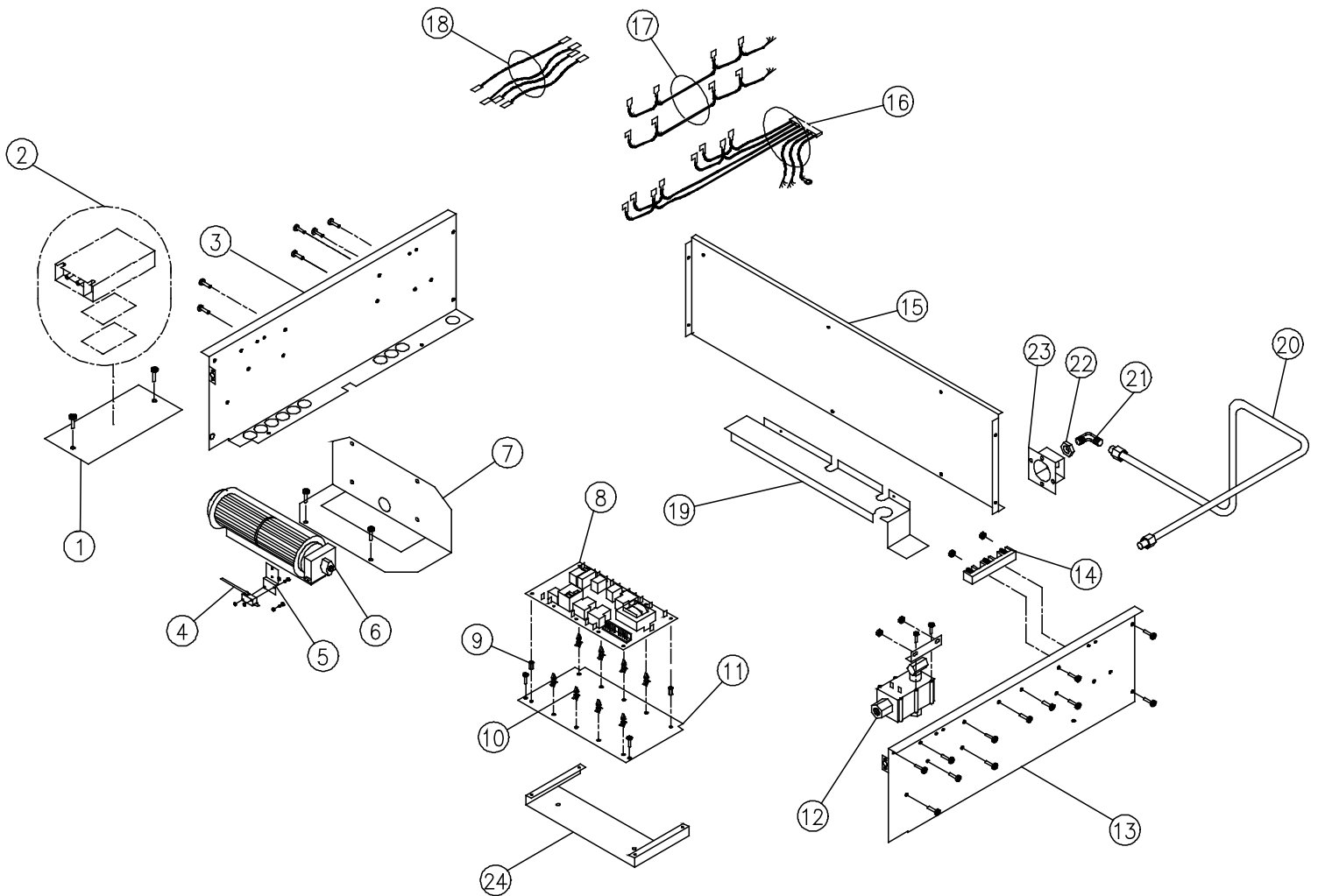
\* Letter at end of part number indicates color:

B = black

R = white

S = stainless

# PGR Range Control Assembly



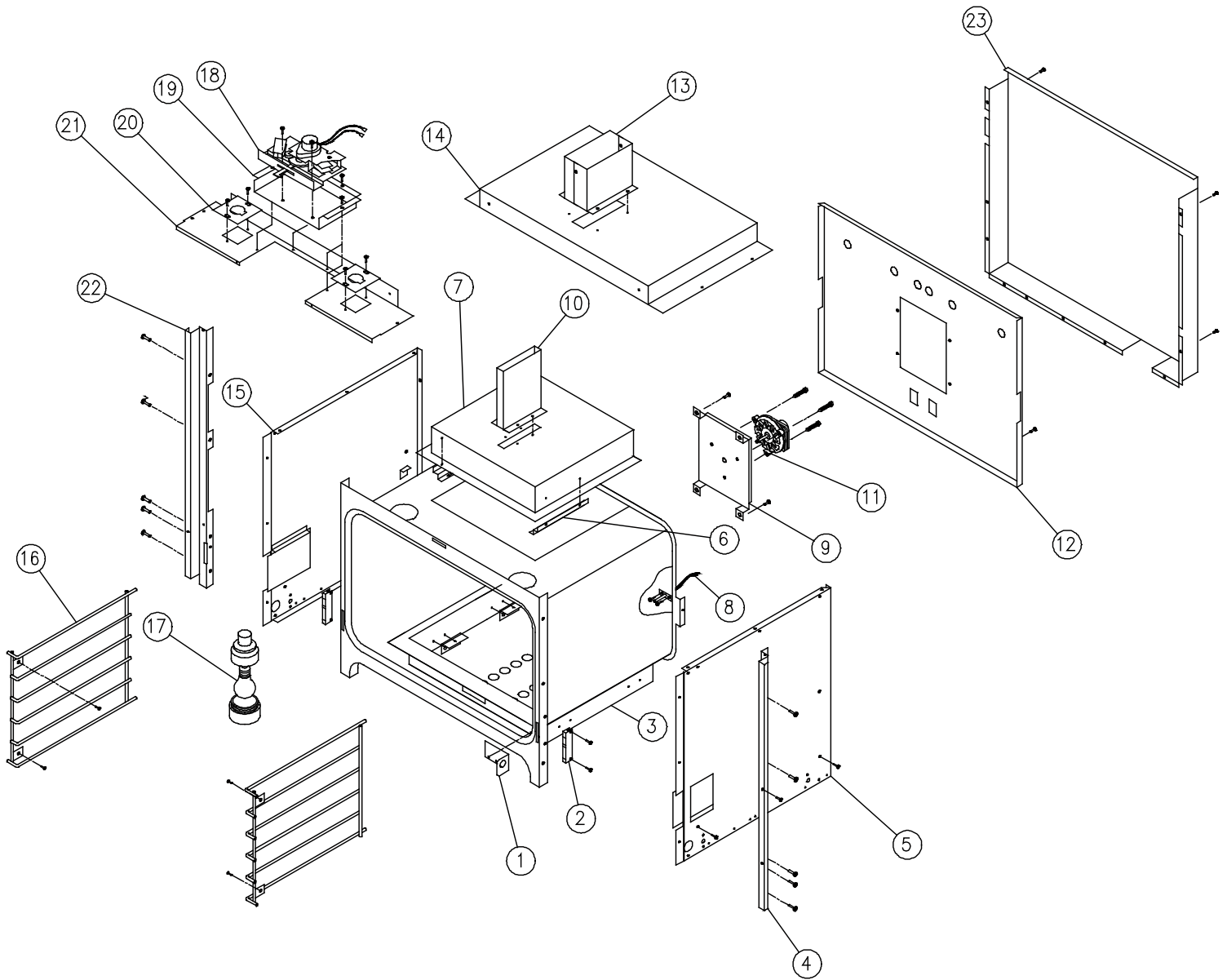
Item	Part #	Description
1	26027	PLATE, SPARK BOX MOUNTING
2	86526	SPARK MODULE, 4 POINT <sup>1</sup>
3	26573	SIDE SUPPORT, LEFT
4	82081 <sup>2</sup>	SAIL SWITCH <sup>2</sup>
5	26448	BRKT, FAN STATUS INDICATOR
6	82347	COOLING FAN
7	36327	BRKT, COOLING FAN
8	62438	RELAY, PCB, 105C
9	83053	STANDOFF, 6-32 X .44LG, HEX
10	83538	PCB SUPPORT, NYLON
11	26072	PCB MTG. PLATE, RANGE

Item	Part #	Description
12	82429	VALVE, THERMAL (DUAL)
13	36325	WELDMENT, SIDE SUPPORT, RIGHT
14	82151	TERMINAL BLOCK
15	27603	REAR PANEL
16	86080	HARNESS, IGNITOR TO SW/LTS
17	86081	JUMPER WIRES - SWITCH
18	62815	IGNITOR WIRE SET
19	36322	AIR BAFFLE
20	62717	3/8" GAS TUBE TO IR BROILER
21	62718	ORIFICE FITTING
22	83531	ORIFICE HEX NUT
23	27588	ORIFICE HOLDER
24	36321	RELAY BOARD SHELF

<sup>1</sup> Attaches with Velcro.

<sup>2</sup> On Rev C and later units, use hi-limit switch, PN 62970.

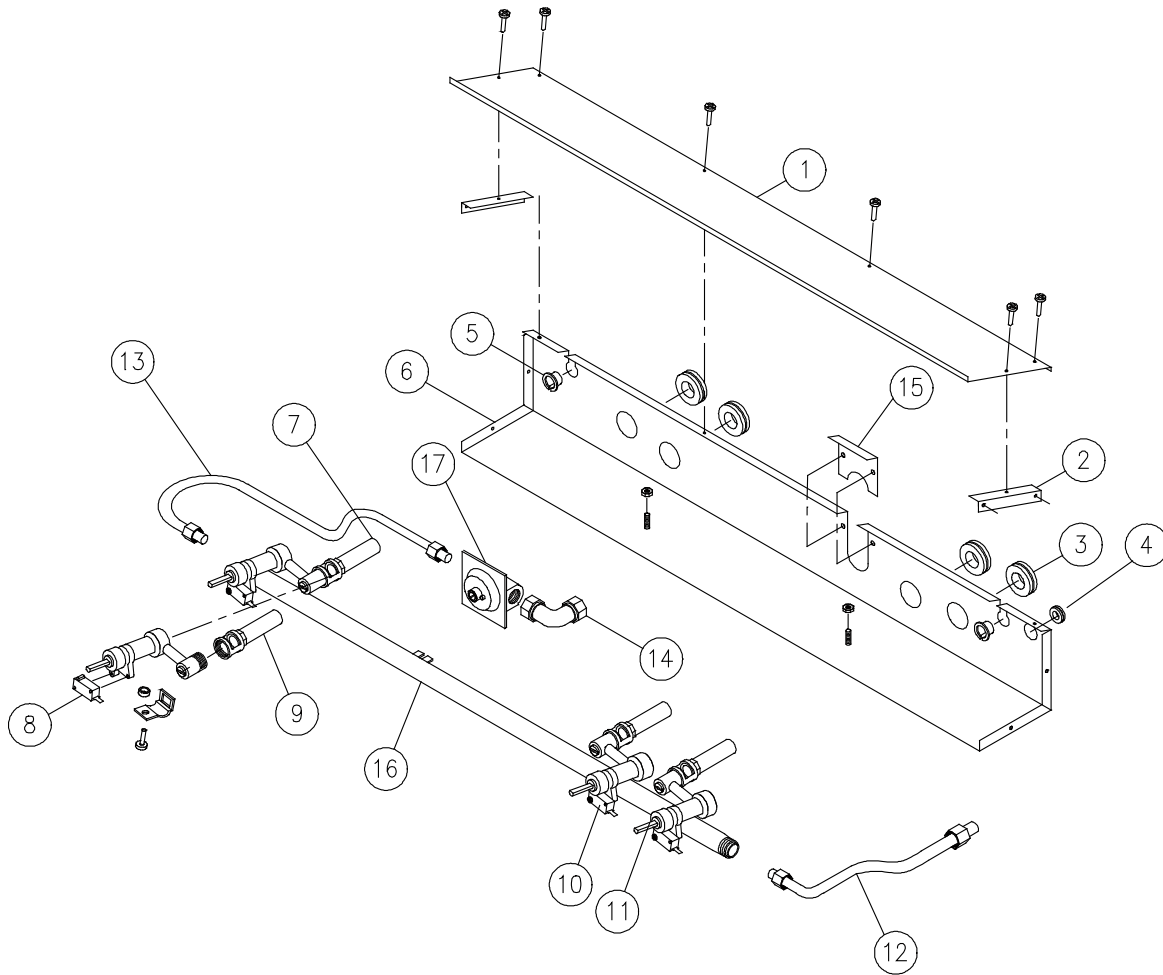
# PGR Range Oven Cell Assembly



Item	Part #	Description
1	26217	BRACKET, BAKE BURNER HOOD
2	82851	RECEPTACLE, HINGE
3	27121	TERMINAL BLOCK, 2-POLE
4	26139B	TRIM POST, RIGHT, BLACK
	26139R	TRIM POST, RIGHT, WHITE
5	27137	CASE SIDE, RIGHT
6	27098	MOUNTING BRKT, IR BRUNER.
7	27119	OVEN TOP PAN
8	62593	TEMP. SENSOR, SHORT
9	36280	CONV. MOTOR MOUNTING PLATE
10	27104	VENT DUCT
11	82647	CONVECTION OVEN MOTOR
12	36324	CASE BACK

Item	Part #	Description
13	26478	HEAT SHIELD SIDE, VENT DUCT
14	36326	CASE TOP REAR
15	27139	CASE SIDE, LEFT
16	82650	SUPPORT RACK, BLK PORC.
17	701750	LIGHT SERVICE KIT
18	86166	DOOR LATCH MECHANISM
19	26598	LATCH PLATE
20	26538	COVER PLATE, LIGHT
21	26124	CASE TOP FRONT
22	26143B	TRIM POST, LEFT, BLACK
	26143R	TRIM POST, LEFT, WHITE
23	27604	BACK COVER
-	82089	HALOGEN BULB

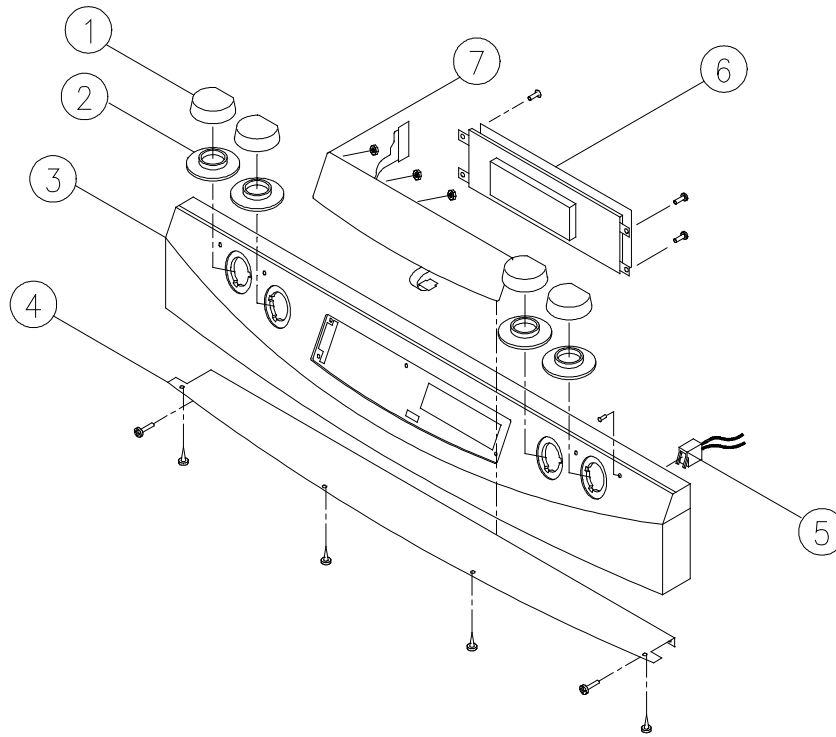
# PGR Range Manifold Assembly



Item	Part #	Description
<b>1</b>	26098	MANIFOLD ENCLOSURE TOP
<b>2</b>	26097	BRKT, MTG, ENCLOSURE
<b>3</b>	83058	GROMMET, EPDM RUBBER
<b>4</b>	83278	GROMMET, THERMOVALVE
<b>5</b>	83061	BUSHING, 5/8" DIA.
<b>6</b>	27616	MANIFOLD ENCLOSURE
<b>7</b>	86305	"C"-VALVE W/JETS, (Left Rear/NG)
	86307	"C"-VALVE W/JETS, (Left Rear/ LP)
<b>8</b>	86420	MICROSWITCH
<b>9</b>	86372	"B" - AIR SHUTTER
<b>10</b>	86087	"C"-VALVE W/JETS, (Right Front/NG)
	86086	"C"-VALVE W/JETS, (Right Front/L P)
	86298	"C"-VALVE W/JETS, (Right Front/NG)
	86302	"C"-VALVE W/JETS, (Right Front/LP)

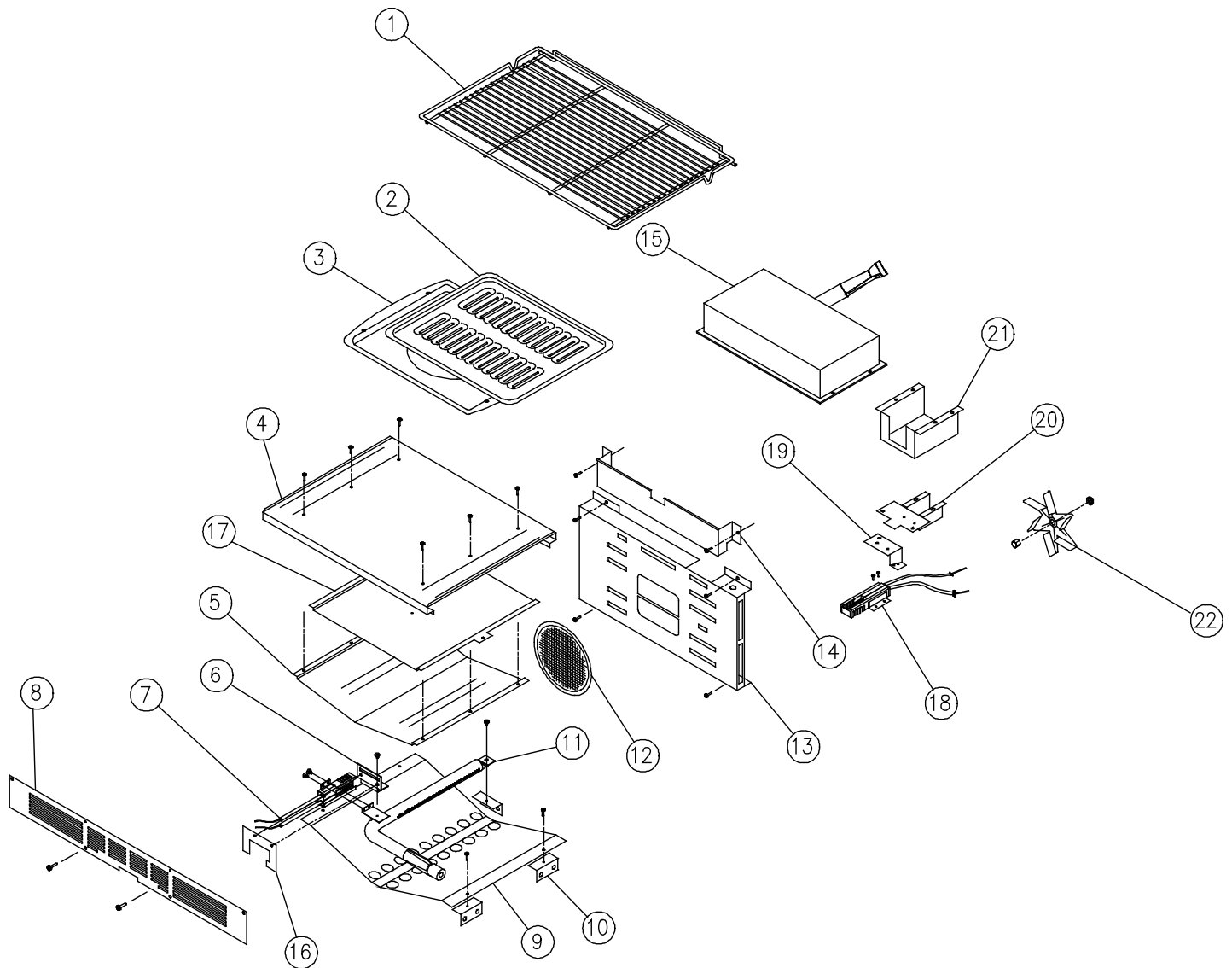
Item	Part #	Description
<b>11</b>	86085	"B"-VALVE W/JETS, (Right Rear/NG)
	86084	"B"-VALVE W/JETS, (Right Rear/LP)
	86280	"B"-VALVE W/JETS, (Right Rear/NG)
	86296	"B"-VALVE W/JETS, (Right Rear/LP)
<b>12</b>	62174	3/8" GAS TUBE TO THERMAL VALVE
<b>13</b>	83050	3/8" GAS TUBE
<b>14</b>	62729	ELBOW FITTING
<b>15</b>	36348	COVER, REGULATOR FITTING
<b>16</b>	13415	COMPLETE MANIFOLD ASSEMBLY, NG
	13416	COMPLETE MANIFOLD ASSEMBLY, NG HIGH
	13417	COMPLETE MANIFOLD ASSEMBLY, LP HIGH
	13418	COMPLETE MANIFOLD ASSEMBLY, LP
<b>17</b>	62320	REGULATOR

# PGR Range Bezel Assembly



Item	Part #	Description
1	82016B	KNOB, BLACK
	82016R	KNOB, WHITE
2	82036B	SPILL PROTECTOR, BLACK
	82036R	SPILL PROTECTOR, WHITE
3	76479B	ASSY, BEZEL CONTROL, BLACK
	76479R	ASSY, BEZEL CONTROL, WHITE
4	26119B	CONTROL BEZEL TRIM
5	82233	INDICATOR LIGHT, BLUE NEON
6	62789	OVEN CONTROL, (E.R.C.)
7	82419B	MEMBRANE, BLACK
	82419R	MEMBRANE, WHITE

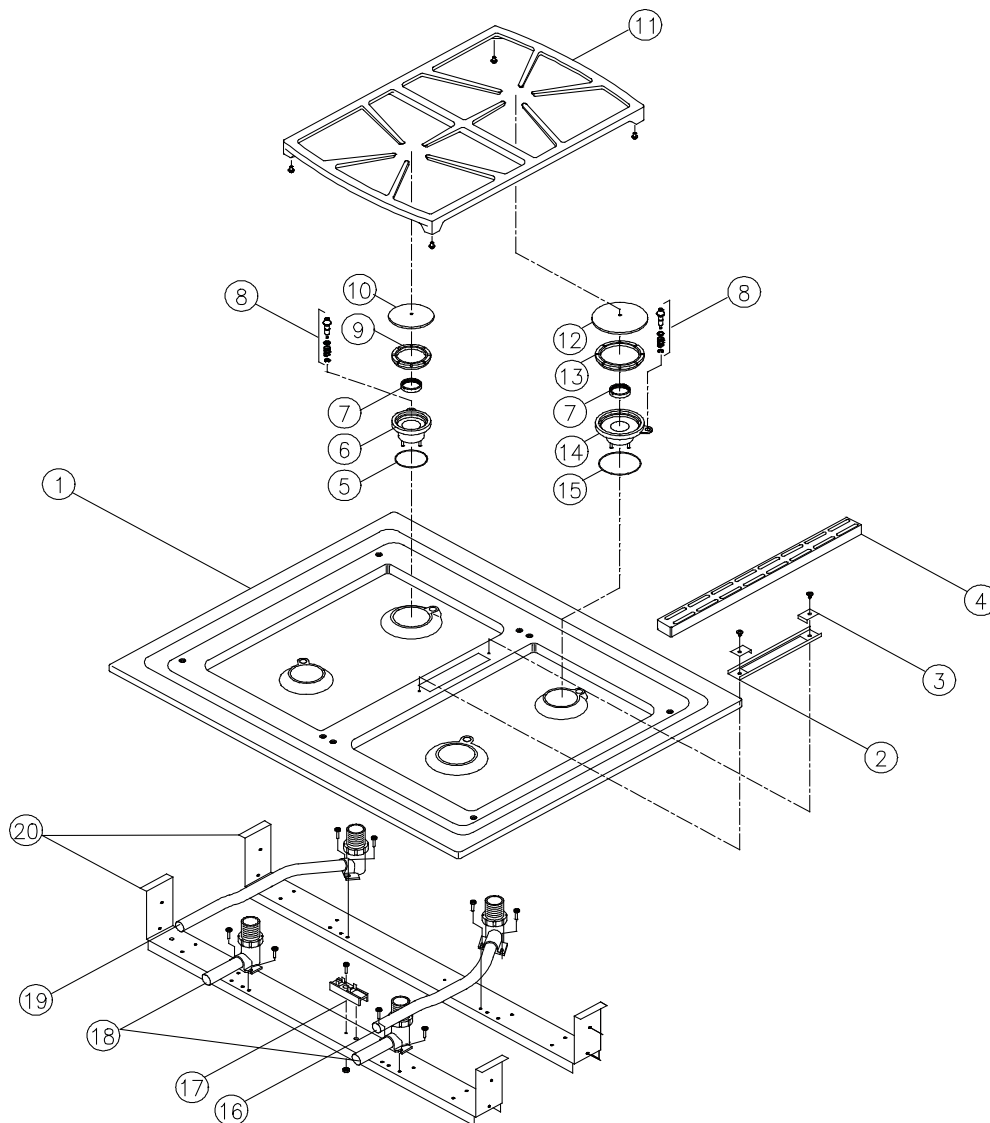
# PGR Range Oven Components



Item	Part #	Description
1	82230	OVEN RACK
2	82106	PLATED GRILL, BROILER PAN
3	82107	BROILER PAN, BLK PORC.
4	26449BP	OVEN CELL BOTTOM
5	26441	REFLECTOR, BAKE BURNER
6	26404	BRKT, TUBULAR BURNER
7	82473	HOT SURFACE IGNITOR, BAKE/BROIL
8	26288B	INTAKE GRILL, (BLACK)
9	26440	HEAT SHIELD, BAKE BURNER
10	26536	BRKT, CELL BOTTOM SUPPORT
11	82431	BURNER, TUBULAR

Item	Part #	Description
12	82891	FILTER, CONVECTION
13	36350	CONVECTION BAFFLE
14	26126BP	COVER, CONV BAFFLE TOP
15	12422	ASSY, INFRARED BURNER
16	36166	BRACKET IGNITOR
17	36360	SHIELD, CELL BOTTOM
18	82473	HOT SURFACE IGNITOR, BAKE/BROIL
19	36286	BRACKET, IGNITOR MTG.
20	36285	SHIELD, IGNITOR MTG. BRACKET
21	36320BP	SHIELD, VENTURI
22	82651	FAN BLADE, CONVECTION MOTOR
	83026	CONVECTION MOUNTING NUT (left hand thread)

# PGR Range Top Frame Assembly



Item	Part #	Description
1	26295BP	TOP FRAME, BLACK PORCELAIN
	26295RP	TOP FRAME, WHITE PORCELAIN
	26295SG	TOP FRAME, STAINLESS
2	26594	TRIM COLLAR, VENT DUCT
3	26184	BRACKET, VENT DUCT
4	26409BP	HEAT SHIELD, VENT CAP
5	86802	O-RING, "B"-BURNER HEAD
6	82681	"B" - BURNER HEAD ASSEMBLY, W/IGNITOR
7	86405	BRASS NUT; B/C - BURNER HEAD
8	66281	IGNITOR ASSEMBLY
9	86408	"B" - BURNER RING
10	86524BM	"B" - BURNER CAP, (medium sized)

Item	Part #	Description
11	72457SB <sup>1</sup>	GRATE PACK EXTENDED
12	86523BM	"C"-BURNER CAP, (LARGE)
13	86407	"C"-BURNER RING
14	82682	"C"-BURNER HEAD ASSEMBLY, W/IGNITOR
15	86801	O-RING, "C"-BURNER HEAD
16	62162	BURNER TUBE/BASE, RIGHT REAR
17	83556	TERMINAL BLOCK, 2 POLES
18	62144	BURNER TUBE/BASE, FRONT
19	62169	BURNER TUBE/BASE, LEFT REAR
20	26068	BURNER SUPPORT CHANNEL

<sup>1</sup>A new grate design was used on Rev. F and later units. The old design has been discontinued. The new design is backward compatible with earlier units, but both grates must be replaced for proper fit.