



The Life of the Kitchen.®

# PARTS CATALOG

## ERSD36 Range

**IMPORTANT:** This product may have some parts that are **No Longer Available (NLA)**. If the part you need is no longer available, please contact Dacor for a possible solution:

### DACOR CARES PROGRAM NLA Part Locator Service

**Customer Contact Number:**

(800) 793-0093 ex. 2813  
Hours: 6:00 AM - 5:00 PM Pacific Time

**Service Agent/Technician Contact Number:**

(800) 793-0093 ex. 3814  
Hours: 7:00 AM - 4:00 PM Pacific Time

**Web Inquiries:** [www.dacor.com/dacorcares](http://www.dacor.com/dacorcares) **Email Inquiries:** [dacorcares@dacor.com](mailto:dacorcares@dacor.com)

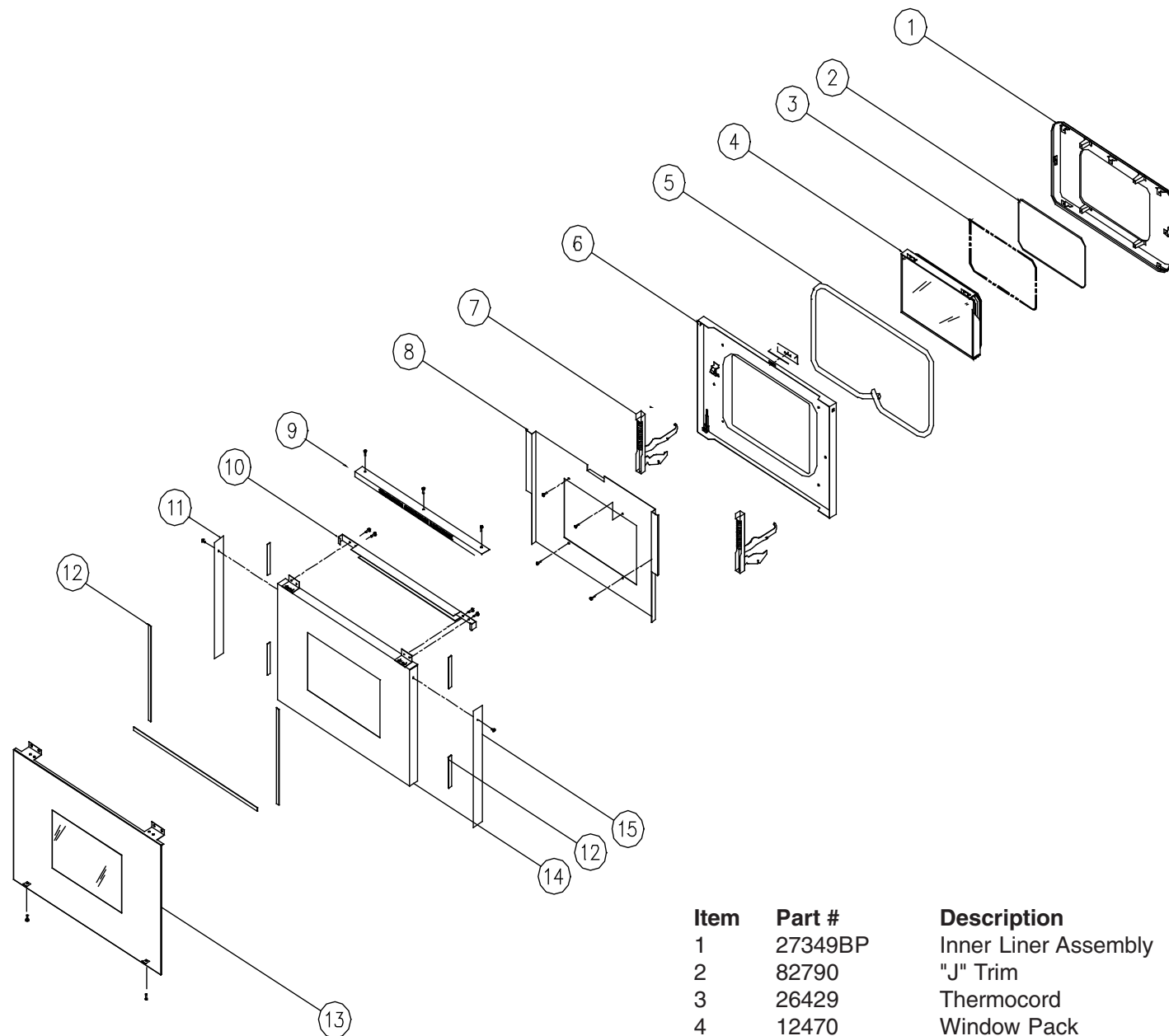
Please provide the following information:

- Your name and phone number
- Product serial number
- Product model number
- The part number(s) you need

Page	Description
2	Door Assembly
3	Oven Case Assembly
4	Base Assembly
5	Control Panel Assembly
6	Oven Cell Assembly (early)
7	Oven Cell Assembly (later)
8	Manifold Assembly
9	Gas Tubing Assembly
10	Top Frame Assembly

Revised 09-24-2012

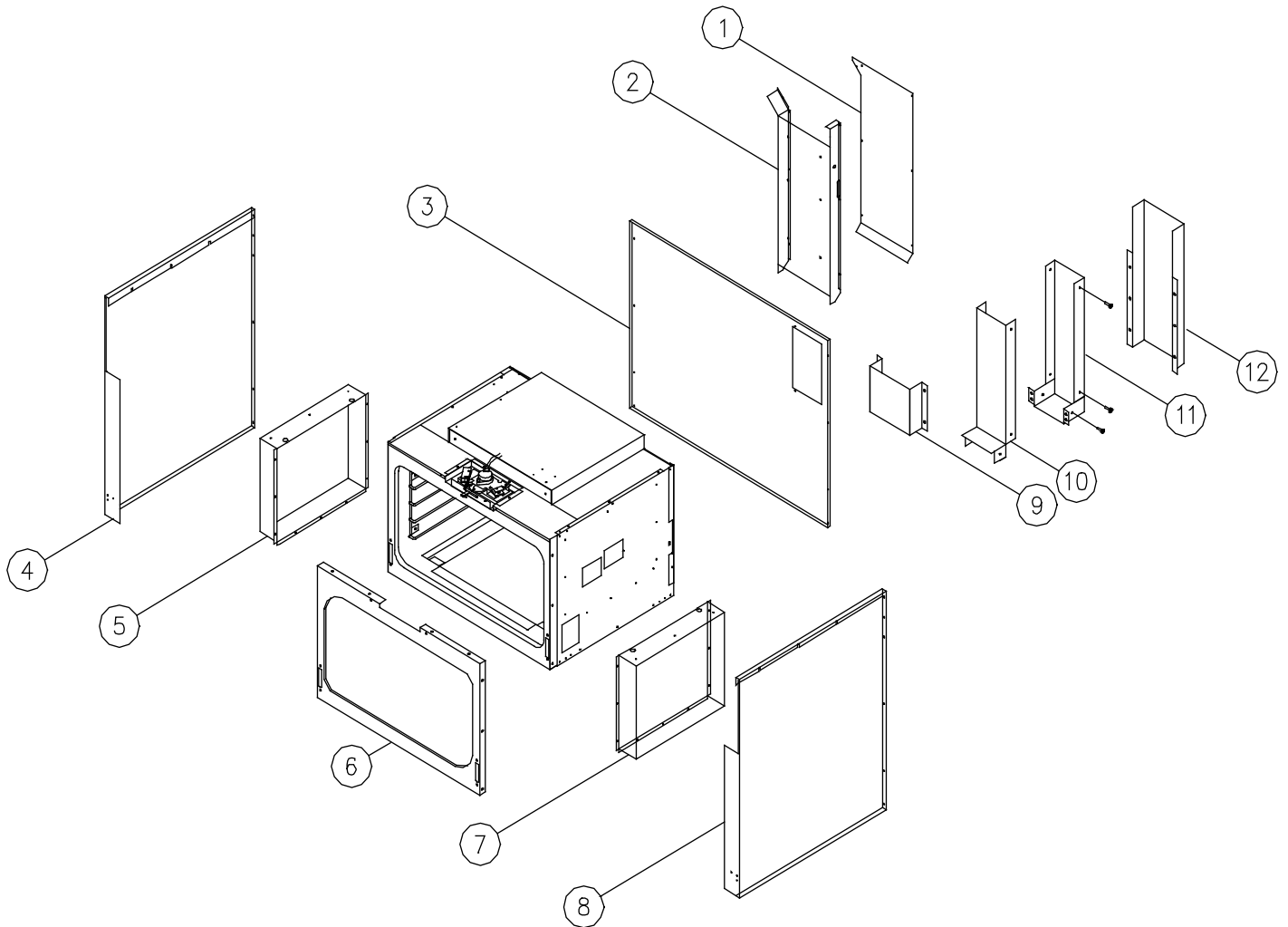
# ERSD36 Range Door Assembly



Item	Part #	Description
1	27349BP	Inner Liner Assembly
2	82790	"J" Trim
3	26429	Thermocord
4	12470	Window Pack
5	62266	Gasket
6	86753	Outer Liner Assembly
7	62436	Hinge
8	26908B	Heat Shield
9	13130	Handle Assembly
10	26970B	Backing Panel
11	36002	Trim, Door Edge
12	83573	Tape, Double Sided
13	86572	Door Skin Assembly
14	27327B	Mounting Frame
15	36003	Trim, Door Edge

Part no longer available? Contact Dacor: (800) 793-0093 ex. 3814

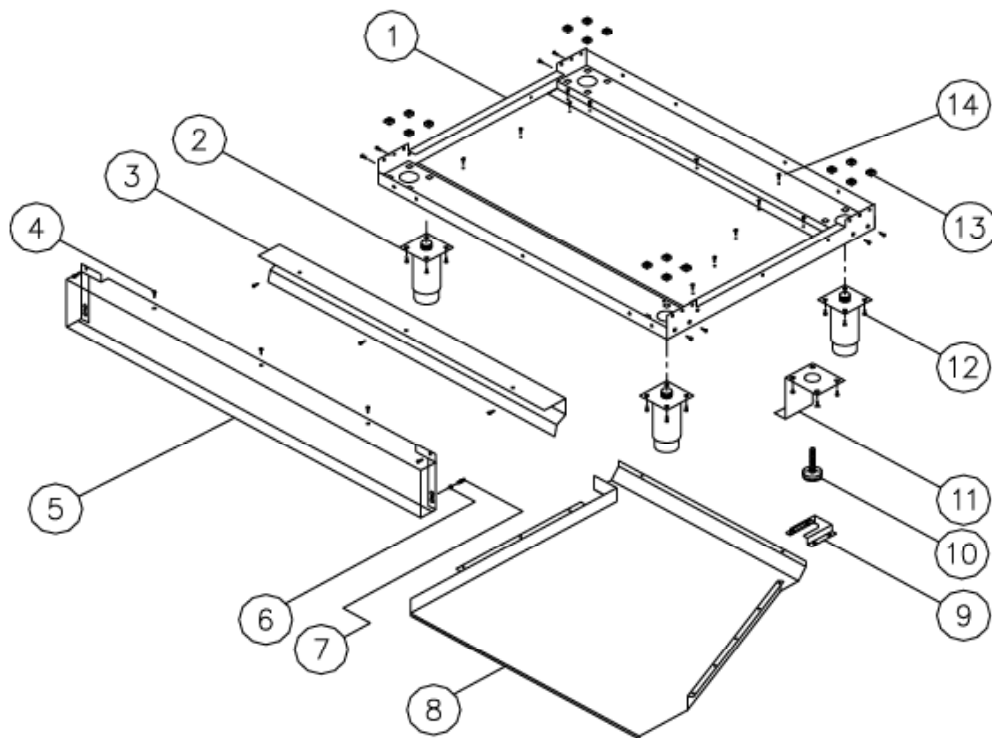
# ERSD36 Range Oven Case Assembly



Item	Part #	Description
1	36021	EXHAUST DUCT COVER
2	36019	EXHAUST DUCT
3	36077	BACK PANEL
4	26914	SIDE PANEL - LH
5	36008	RACEWAY SIDE PANEL
6	36086	FACE FRAME
7	36008	RACEWAY SIDE PANEL
8	26913	SIDE PANEL - RH
9	36051	FLUE DUCT FRONT SHIELD
10	36075BP	FLUE DUCT, BASE
11	36131BP	FLUE DUCT, COVER
12	78557	FLUE DUCT COVER

Part no longer available? Contact Dacor: (800) 793-0093 ex. 3814

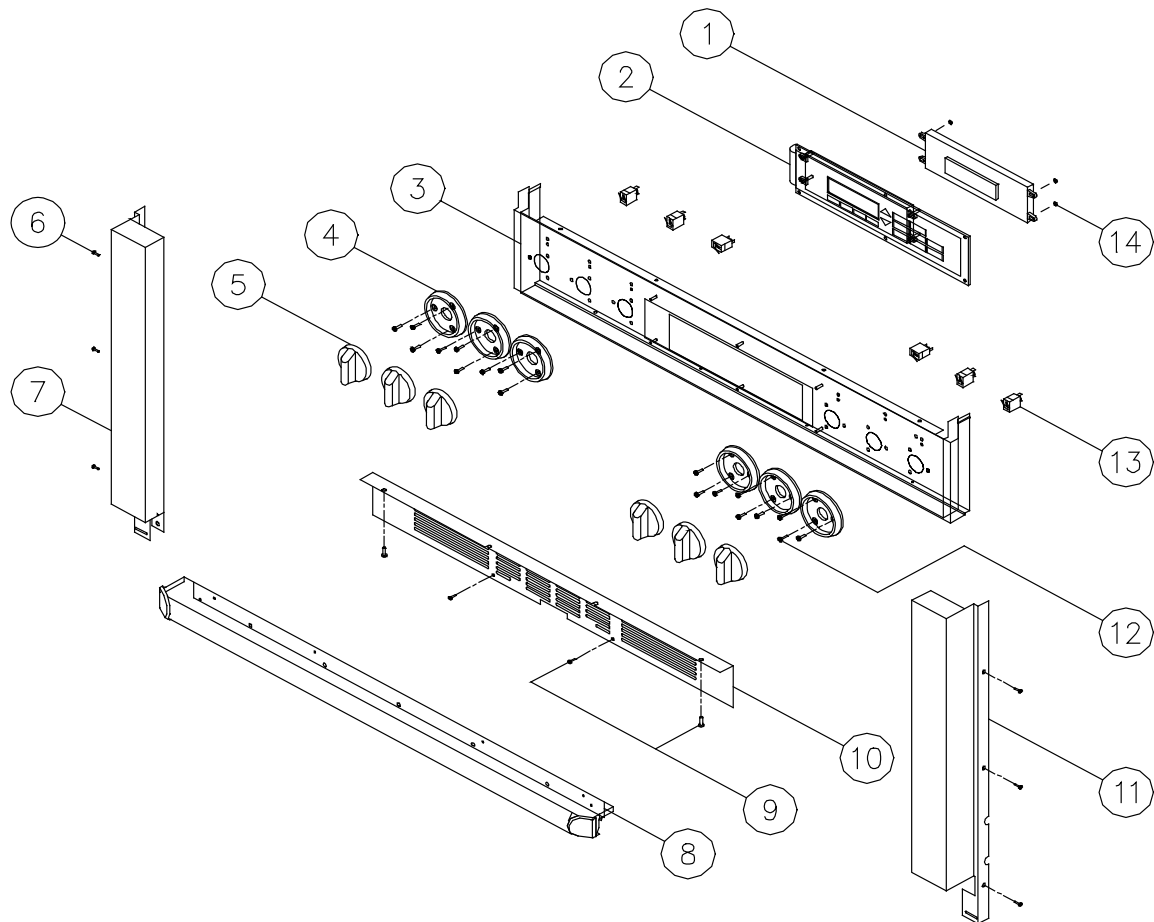
# ERSD36 Range Base Assembly



ITEM	PART #	DESCRIPTION
1	13179	BASE ASSEMBLY
2	62047	ADJUSTABLE LEG
3	36165	EXHAUST DEFLECTOR
4	83534	SCREW, WAFER HD #8 X 3/8"
5	26922	KICK PANEL
6	83308	6-32 KEPS NUT
7	83412	BALL STUD EXTENDED
8	27373	EXHAUST DUCT ASSEMBLY
9	26041	ANTI-TIP BRACKET
10	83034	LEVELER, ANTI TIP BRACKET
11	27274	ANTI-TIP BRACKET ASSEMBLY
12	83397	SCREW, CAP 1/4-20 X 5/8
13	83398	NUT, RETAINER 1/4 - 20
14	83023	SCREW, SLOT HWH, #10 X 3/8"
**	66813	PLASTIC LEG INSERT

Part no longer available? Contact Dacor: (800) 793-0093 ex. 3814

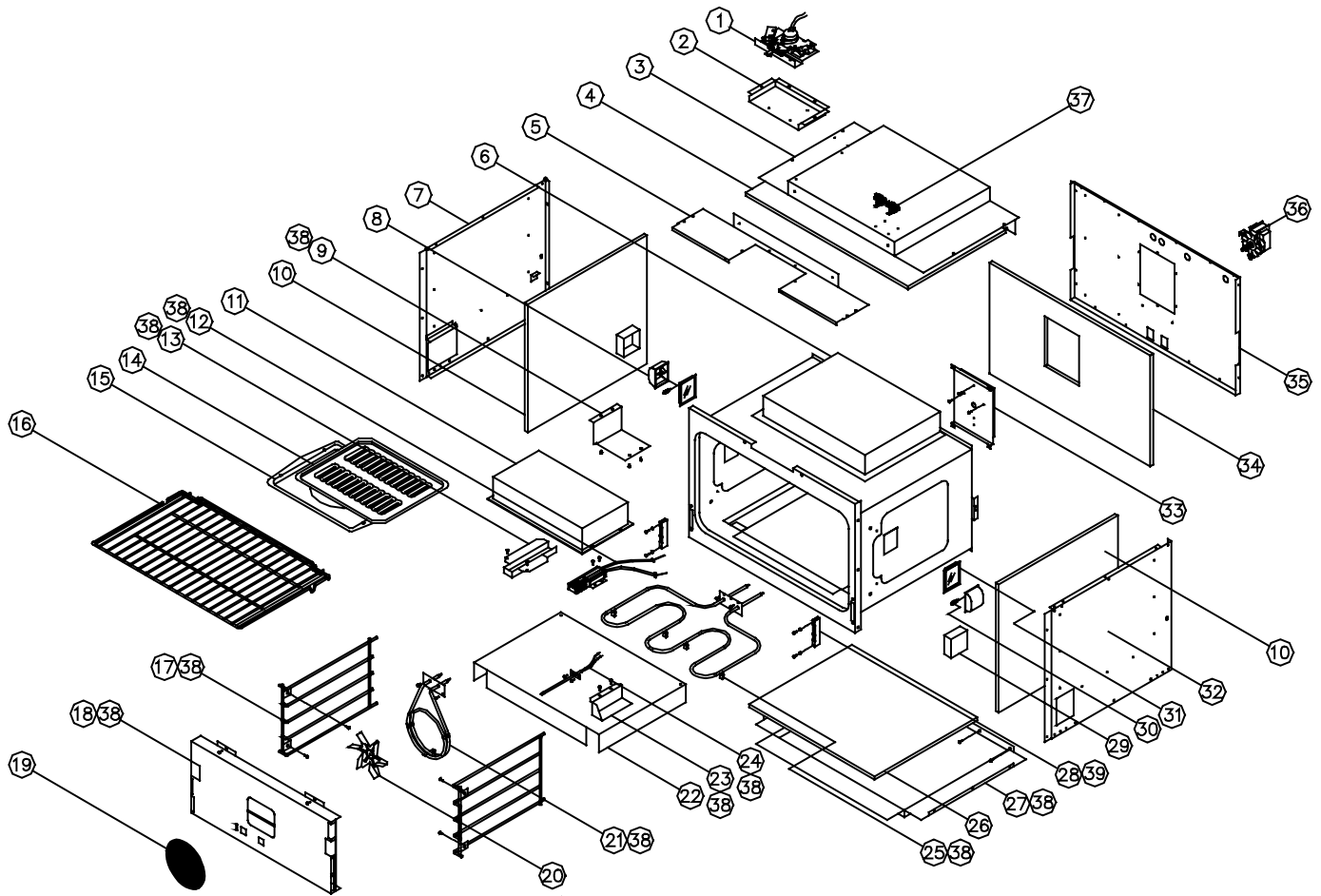
# ERSD36 Range Control Panel Assembly



ITEM	PART #	DESCRIPTION
1	62707	OVEN CONTROL
2	62309	MEMBRANE (TOUCH PAD; BLACK)
3	13178	CONTROL PANEL ASSEMBLY
4	62020C	TRIM RING, CHROME
5	62021B	KNOB
6	83026	SCREW, 10 X 3/4"
7	26918	SIDE FRAME, RH
8	86570	BULLNOSE ASSEMBLY
9	83571	SCREW WASHER HEAD 8 X 3/8"
10	26950	INTAKE GRILL
11	26919	SIDE FRAME, LH
12	83534	SCREW, WAFER HEAD, 8 X 3/8
13	82086	INDICATOR LIGHT, BLUE NEON
14	83308	6-32 KEPS NUT

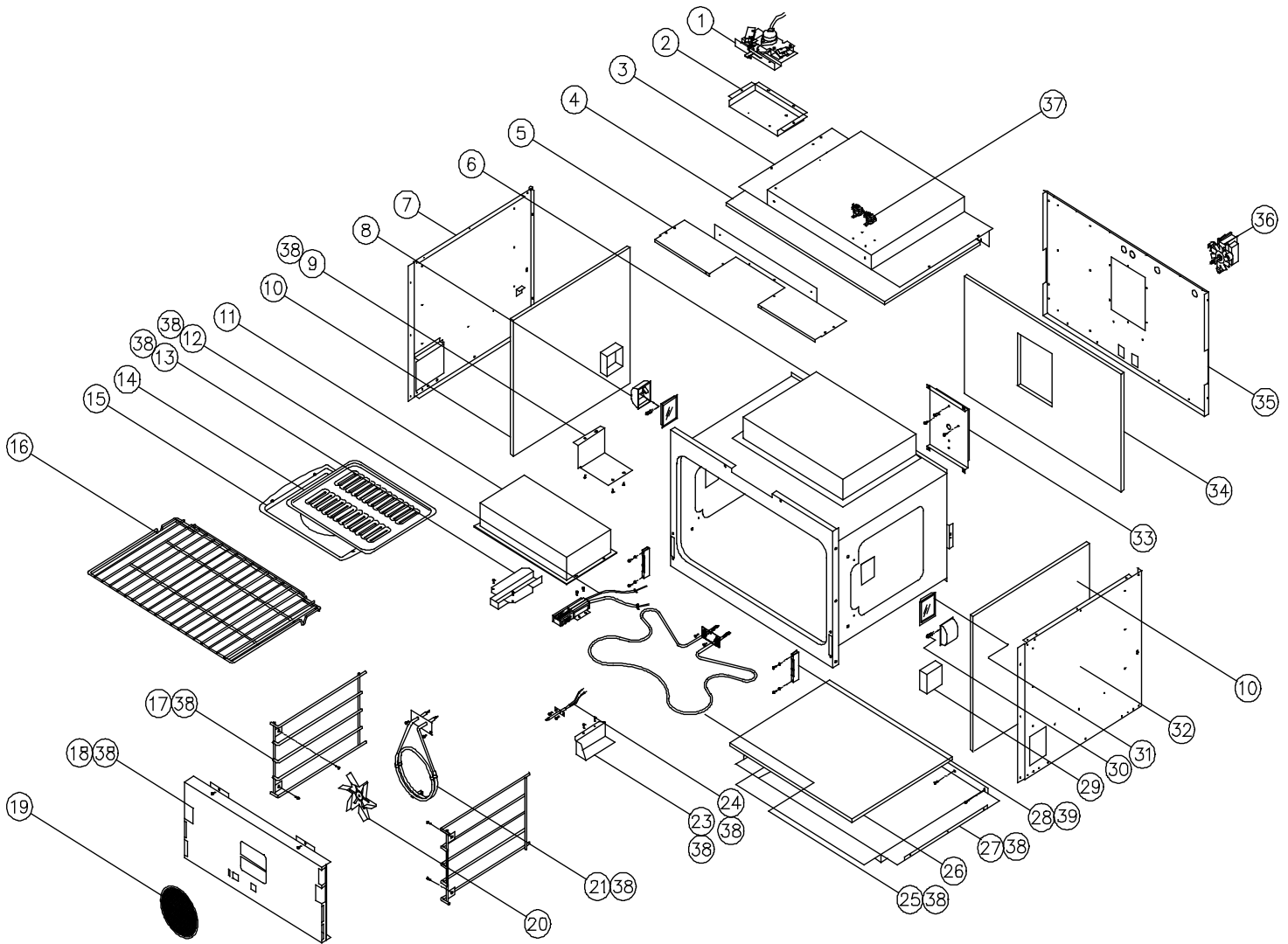
Part no longer available? Contact Dacor: (800) 793-0093 ex. 3814

# ERSD36 Range Oven Cell Assembly (early)



Item	Part #	Description	Item	Part #	Description
1	86166	Door Latch	21	82377	Convection Element 2200W
2	26598	Latch Plate	22	26957BP	Bake Pan, Black Porcelain
3	26806	Case Top, Rear	23	26442BP	Sensor Shield
4	80030	Insulation, Cell Top	*	86949	Sensor Harness
5	26873	Case Top, Front	24	86663	Temperature Sensor
6	N/A	Oven Cell	25	62602	Bake Element, 4600W
7	27530	Case Side, Left	26	80040	Insulation, Case Bottom
8	62175	Halogen Light Assembly	27	26974	Case Bottom
9	36098	Venturi Tube Shield	28	62075	Door Hinge Receptacle
10	80032	Insulation, Cell Side	29	36105	Heat Shield, Oven Light
11	62262	IR Broiler	30	86573	Halogen Bulb
12	82473	Hot Surface Igniter	31	86574	Halogen Light Shield
13	36139	Igniter SHield, IR Broiler	32	27529	Case Side Right
14	82106	Plated Grill, Broiler Pan	33	27470	Conv Mtr Mtg Plate
15	82107	Porcelain Pan	34	80031	Insulation, Case Back
16	62297	Oven Rack	35	26882	Case Back
17	62273	Rack Support	36	62101	Convection Motor
18	26967BP	Convection Baffle	37	82987	HI Temp Cutout
19	82891	Convection Filter	38	83534	Screw, Wafer Hd #8X3/8"
20	62101	Fan Blade	39	83420	Screw, BTN HD, #10-32 x .50"

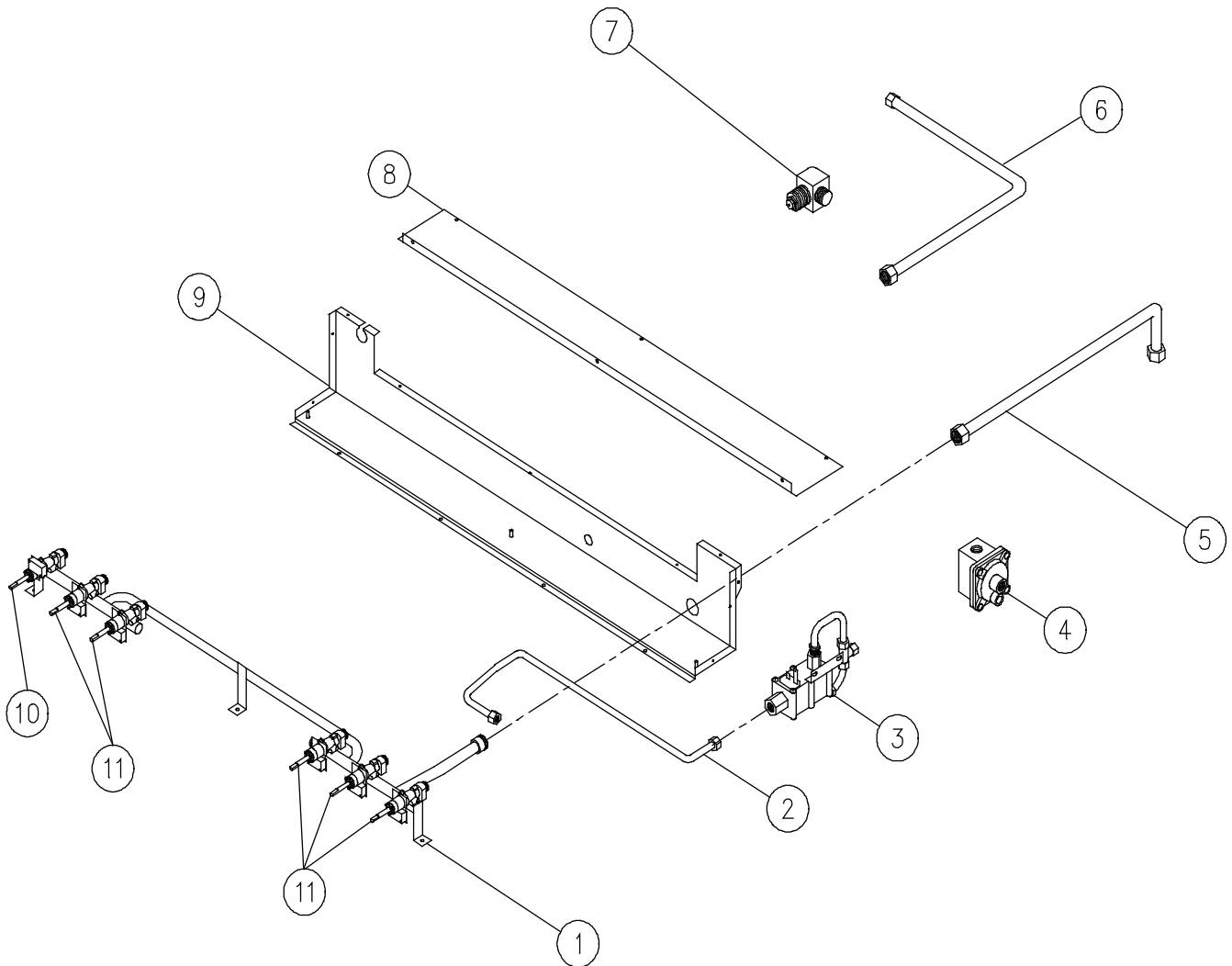
# ERSD36 Range Oven Cell Assembly (later)



ITEM	PART #	DESCRIPTION	ITEM	PART #	DESCRIPTION
1	86166	DOOR LATCH MECHANISM	19	82891	CONVECTION FILTER
2	26598	LATCH PLATE	20	82651	FAN BLADE
3	26806	CASE TOP REAR	21	82377	CONVECTION ELEMENT, 2200W
4	80030	INSULATION, TOP REAR	22	62593	TEMPERATURE SENSOR
5	26873	CASE TOP FRONT	23	62601	BAKE ELEMENT, 4000W
6	27412BP	OVEN CELL	24	80040	INSULATION, CASE BOTTOM
7	27530	CASE SIDE LEFT	25	26974	CASE BOTTOM
8	62175	HALOGEN LIGHT ASSEMBLY	26	62075	HINGE RECEPTACLE
9	36098	SHIELD, VENTURI TUBE	27	36105	HEAT SHIELD, OVEN LIGHT
10	80032	INSULATION, CELL SIDE	28	86573	HALOGEN BULB, 10W
11	62262	IR BROILER	29	86574	HALOGEN LIGHT SHIELD
12	82473	HOT SURFACE IGNITOR	30	27529	CASE SIDE, RIGHT
13	36139	IGNITOR SHIELD, IR BROILER	31	27470	CONVECTION MOTOR MOUNTING PLATE
14	82106	PLATED GRILL - BROILER PAN	32	80031	INSULATION, CASE BACK
15	82107	PORCELAIN PAN	33	26882	CASE BACK
16	62297	OVEN RACK	34	82647	CONVECTION MOTOR
17	62273	SUPPORT RACK	35	82987	THERMAL SW, HI TEMP CUT-OUT
18	26967BP	CONVECTION BAFFLE	36	83534	SCREW, WAFER HD, #8 X 3/8"
			37	83420	SCREW, BTN HD, #10-32 X .50"

Part no longer available? Contact Dacor: (800) 793-0093 ex. 3814

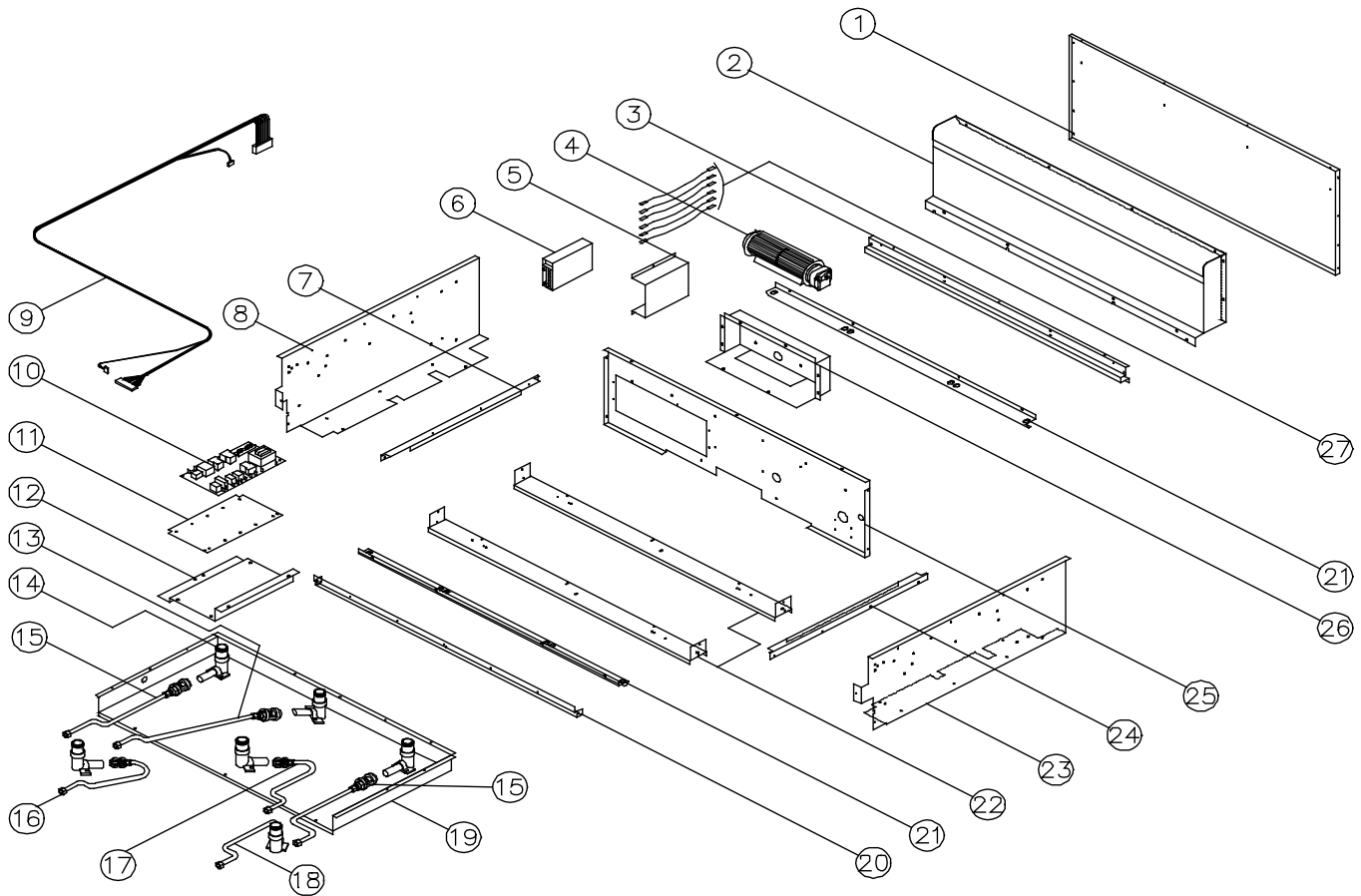
# ERSD36 Range Manifold Assembly



ITEM	PART#	DESCRIPTION	ITEM	PART#	DESCRIPTION
1	62332	MANIFOLD ASSEMBLY WITH VALVES	10	86555	VALVE - NG
*	62335	MANIFOLD ASSEMBLY WITH VALVES - LP	*	86558	VALVE - LP
2	62341	3/8" ALUMINUM TUBING	11	86556	VALVE - NG
3	13233	GAS VALVE ASSEMBLY	*	86559	VALVE - LP
4	62320	PRESSURE REGULATOR - NG	1	62334	<b>HIGH ALTITUDE CHART</b> MANIFOLD ASSEMBLY WITH VALVES NG/HA
*	62434	PRESSURE REGULATOR - LP	1	62333	MANIFOLD ASSEMBLY WITH VALVES LP/HA
5	62343	5/8" ALUMINUM TUBING	10	86564	VALVE - LP/HA
6	62342	3/8" ALUMINUM TUBING	10	86561	VALVE - NG/HA
7	62344	FITTING ORIFICE - NG 62346 LP	11	86565	VALVE - LP/HA
8	26927	MANIFOLD ENCLOSURE	11	86562	VALVE - NG/HA
9	27359	MANIFOLD ENCLOSURE ASSEMBLY			

Part no longer available? Contact Dacor: (800) 793-0093 ex. 3814

# ERSD36 Range Gas Tubing Assembly



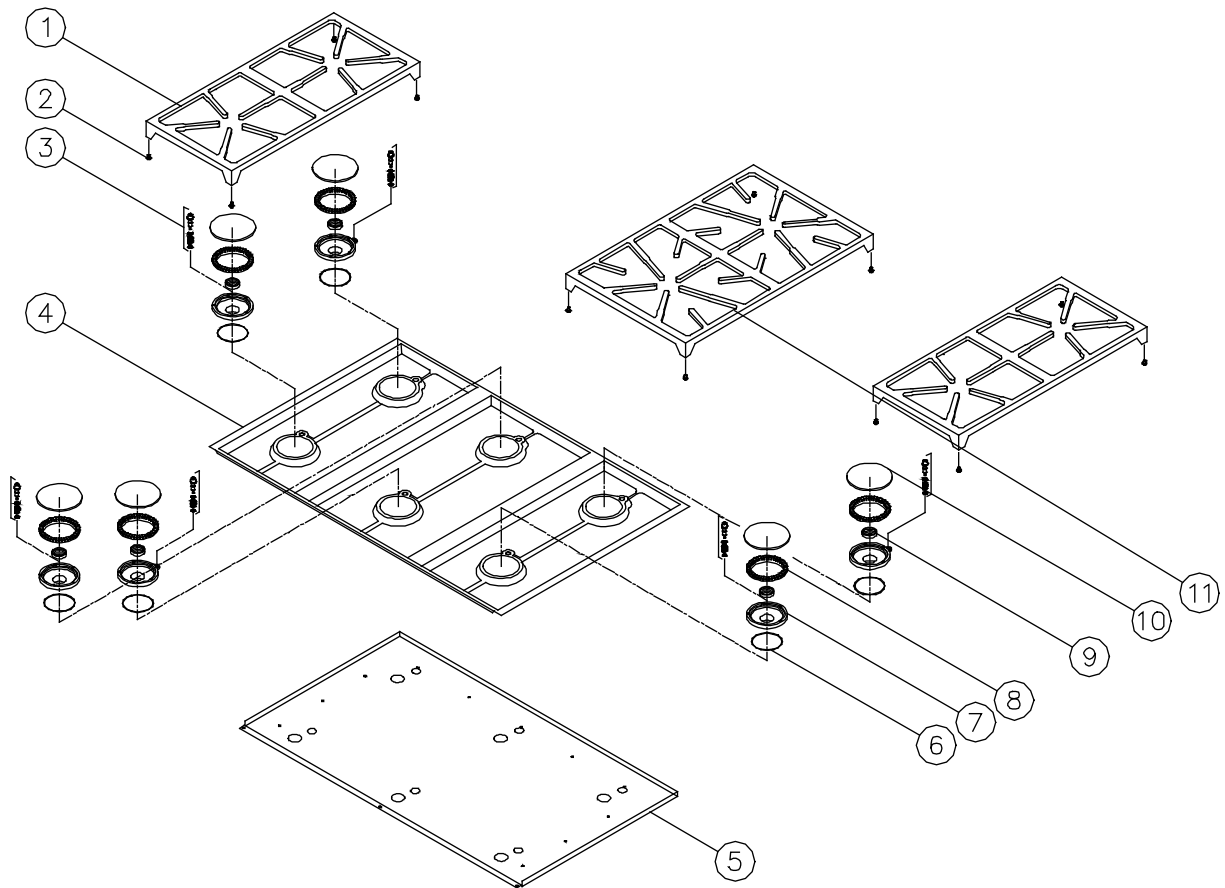
Item	Part #	Description
1	36024	BACK COVER, TOP 9"
2	13346	BACKSPLASH 3"
*	13327	BACKSPLASH 9"
*	13358	BACKSPLASH 24"
3	78477	CHANNEL MTG
4	82347	COOLING FAN
5	26874	BRKT, IGNITOR
6	86528	IGNITION MODULE, 6 PT
7	36036	SIDE SUPPORT, SPILL TRAY - LH
8	26924	SIDE SUPPORT, LH-ERSD36
9	86938	HARNES ASSEMBLY
10	82127	RELAY, PCB RANGE. 105 C
11	26072	PCB MTG PLATE
12	36026	SUPPORT, RELAY PCB
13	62363	BURNER TUBE, #3 LP
*	62338	BURNER TUBE, #3 NG
14	62348	BURNER BASE
15	62372	BURNER TUBE, #1 LP
*	62336	BURNER TUBE, #1 NG
16	62369	BURNER TUBE, #2 LP
*	62337	BURNER TUBE, #2 NG
17	62366	BURNER TUBE, #4 LP
*	62339	BURNER TUBE, #4 NG
18	62375	BURNER TUBE, #5 LP
*	62340	BURNER TUBE, #5 NG
19	36109	CHASSIS RIGHT 36191 CHASSIS LEFT

Item	Part #	Description
20	26929	ANGLE, FRONT SUPPORT
21	36018	GRATE SUPPORT
22	26928	CHANNEL, BURNER SUPPORT
23	26923	SIDE SUPPORT, RH ERS36
24	36035	SIDE SUPPORT, SPILL TRAY, RH
25	36025	REAR PANEL
26	26971	BRACKET, COOLING FAN
27	62817	IGNITOR WIRES
28	62405	BURNER TUBE, #6 LP
*	62404	BURNER TUBE, #6 NG
**	82151	TERMINAL BLOCK

## HIGH ALTITUDE ASSEMBLY

13	62364	BURNER TUBE, #3 NG/HA
*	62365	BURNER TUBE, #3 LP/HA
15	62373	BURNER TUBE, #1 NG/HA
*	62374	BURNER TUBE, #1 LP/HA
16	62370	BURNER TUBE, #2 NG/HA
*	62371	BURNER TUBE, #2 LP/HA
17	62367	BURNER TUBE, #4 NG/HA
*	62368	BURNER TUBE, #4 LP/HA
18	62376	BURNER TUBE, #5 NG/HA
*	62377	BURNER TUBE, #4 LP/HA
28	62406	BURNER TUBE, #6 NG/H
*	62407	BURNER TUBE, #6 LP/H

# ERSD36 Range Top Frame Assembly



Item	Part #	Description
1	62221BM	Grate 10"
2	86474	Grate Support Pad
3	66281	Igniter Assembly
4	26959BP	Spill Tray
5	36186	Heat Shield, Spill Tray
6	86395	O-Ring, "D" Burner Head
7	82563	Burner Head, "D" Burner
8	82564	Burner Ring
9	86405	Brass Nut
10	62022BM	Burner Cap, "D" Burner
11	82368BM	Grate 14"

Part no longer available? Contact Dacor: (800) 793-0093 ex. 3814