



The Life of the Kitchen.®

PARTS CATALOG

ERG36 Range

IMPORTANT: This product may have some parts that are **No Longer Available (NLA)**. If the part you need is no longer available, please contact Dacor for a possible solution:

DACOR CARES PROGRAM NLA Part Locator Service

Customer Contact Number:

(800) 793-0093 ex. 2813
Hours: 6:00 AM - 5:00 PM Pacific Time

Service Agent/Technician Contact Number:

(800) 793-0093 ex. 3814
Hours: 7:00 AM - 4:00 PM Pacific Time

Web Inquiries: www.dacor.com/dacorcares **Email Inquiries:** dacorcares@dacor.com

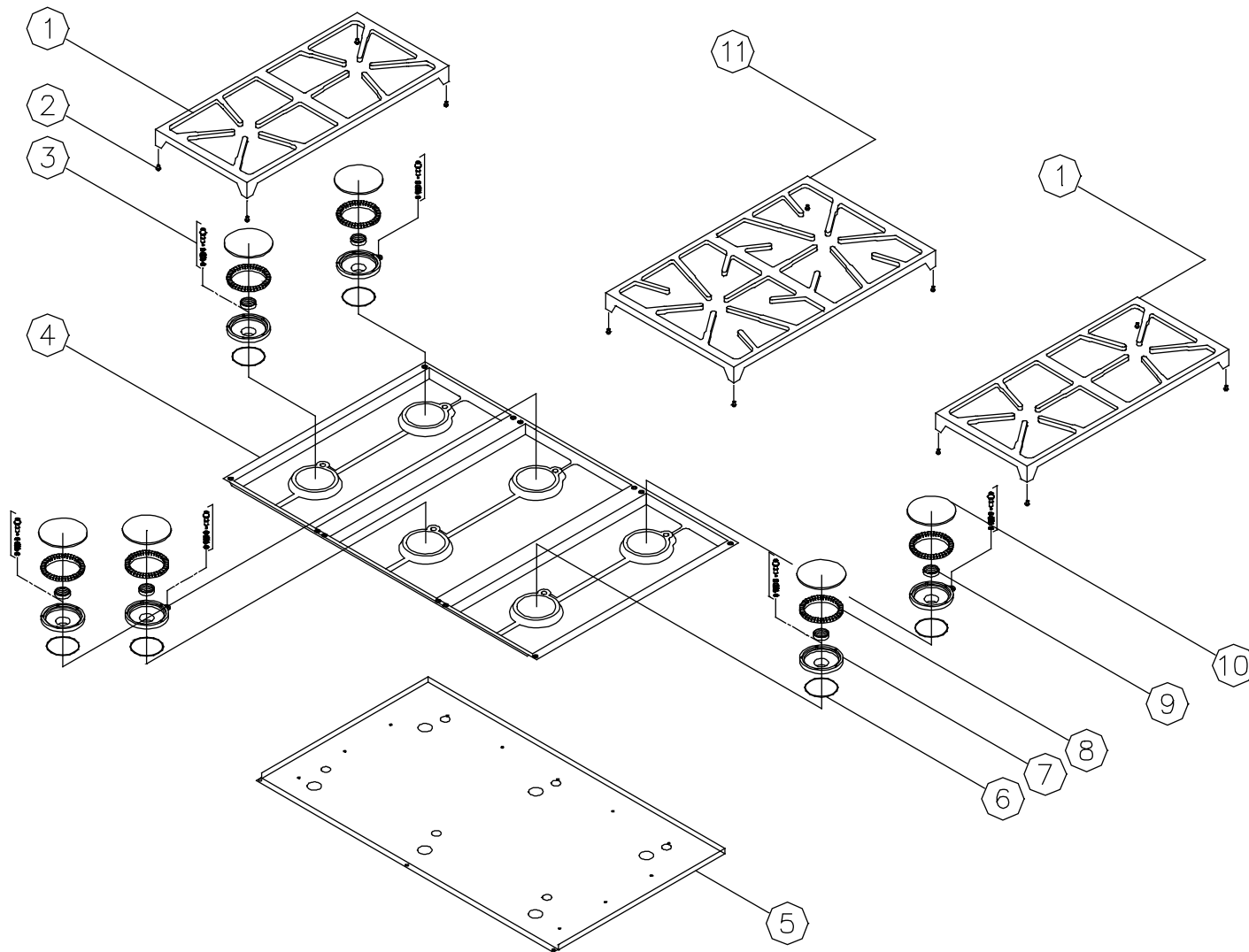
Please provide the following information:

- Your name and phone number
- Product serial number
- Product model number
- The part number(s) you need

Page	Description
2	Top Frame Assembly
3	Bezel Assembly
4	Manifold Assembly
5	Oven Case Assembly
6	Cell Assembly
7	Base Assembly
8	Gas Tubing Assembly
9	Door Assembly

Revised 03-02-2012

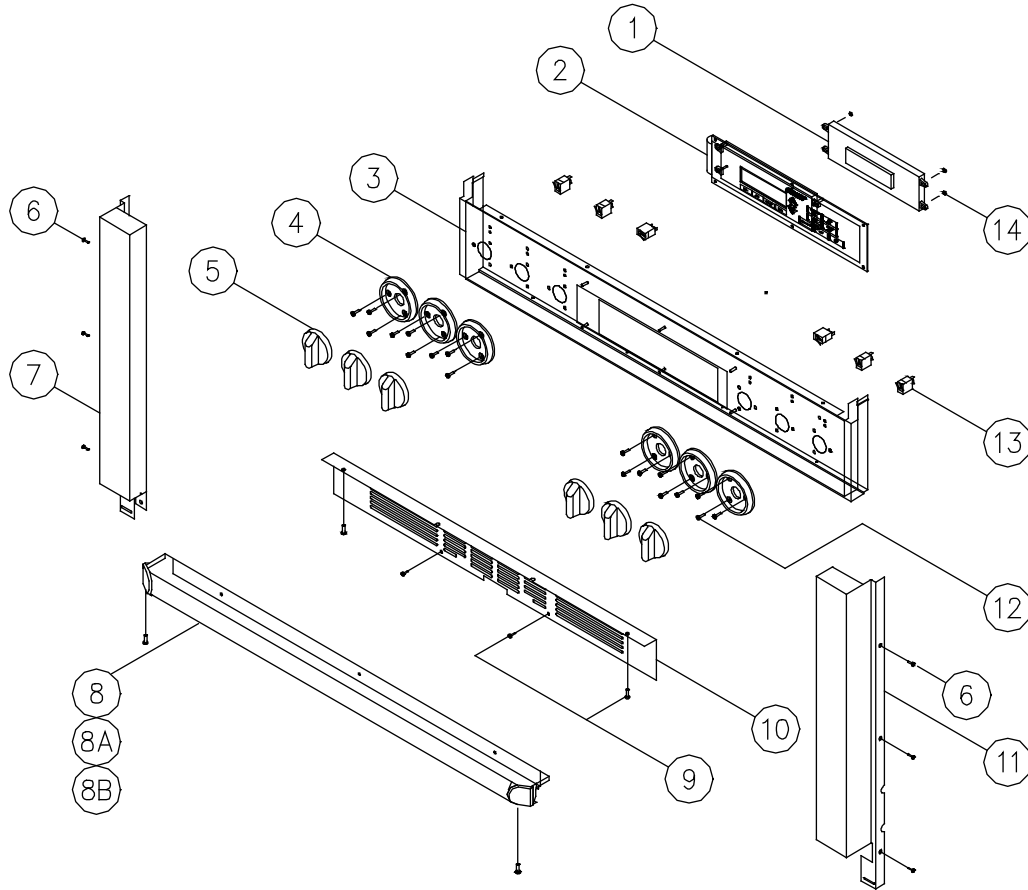
ERG36 Range Top Frame Assembly



1	62883BM	GRATE 10"
2	86474	GRATE SUPPORT PAD
3	66281	IGNITOR ASSY.
4	26959BP	SPILL TRAY
5	36186	HEAT SHIELD, SPILL TRAY
6	82563	O-RING, "D" BURNER HEAD
7	62954	BURNER HEAD "D" BURNER
8	62934	BURNER RING
9	86405	BRASS NUT
10	62022BM	"D" BURNER CAP
11	62737BM	GRATE 14"

Part no longer available? Contact Dacor: (800) 793-0093 ex. 3814

ERG36 Range Bezel Assembly



1	62832	OVEN CONTROL
2	62802	MEMBRANE (TOUCH PAD, BLK)
3	13430SBK,SBR,SCH,SCP	CONTROL PANEL ASSY.
4	62020BR,C,CP TRIM RIM	BRASS, CHROME, COPPER
5	62021B	KNOB
6	83026	SCREW, 10 X 3/4" SLOT
7	26918	SIDE FRAME, RH
8	36533*	BULLNOSE
8A	62712BK,BR,CH,CP	END CAP
8B	83007	SCREW, 8-32 X 1/4" PHIL BD HD
9	83571	SCREW WASHER HD. 8 X 3/8"
10	26950	INTAKE GRILL
11	26919	SIDE FRAME, LH
12	83534	SCREW, WAFER HD. 8 X 3/8
13	82086	INDICATOR LIGHT, BLUE NEON
14	83308	6-32 KEPS NUT

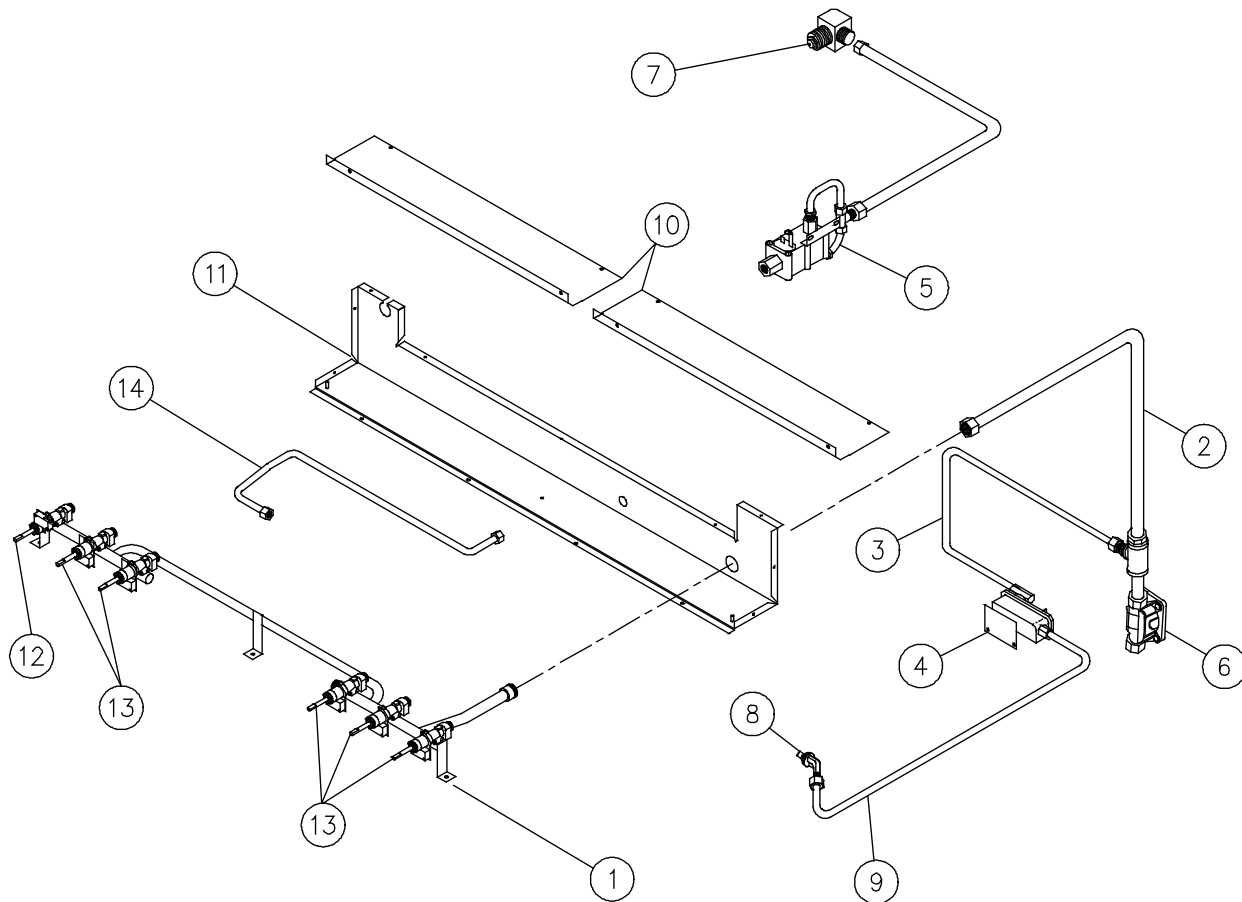
* Revision Level Change: ERG36 – FC 0100000

For units **without** grate supports use part number 66831SBK, SBR, SCH, SCP

For units **with** grate supports use part number 86570SBK, SBR, SCH, SCP

Part no longer available? Contact Dacor: (800) 793-0093 ex. 3814

ERG36 Range Manifold



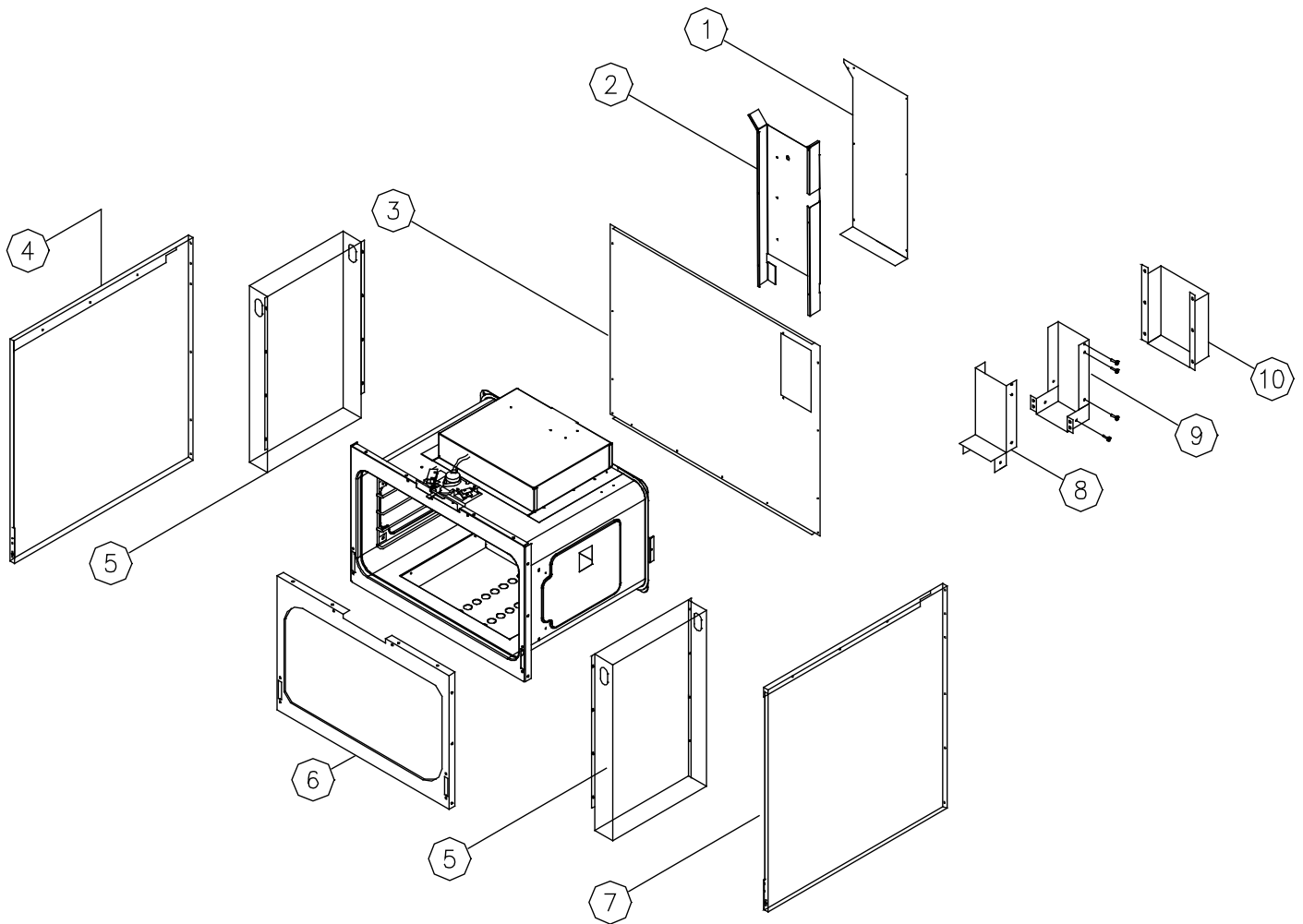
- * 62848 MANIFOLD ASSY. 5", LP
- 2 62840 5/8" TUBE, MANIFOLD
- 3 62341 3/8" TUBE, REGULATOR
- 4 62317 SINGLE GAS VALVE
- 5 13233 DUAL GAS VALVE ASSY.
- 6 13469 REGULATOR ASSY. - NG
- * 14470 REGULATOR ASSY. - LP
- 7 62838 BROIL, JET ASSY. - NG
- * 62956 BROIL, JET ASSY. - LP
- 8 62844 BAKE FITTING ASSY. - NG
- * 62845 BAKE FITTING ASSY. - LP
- 9 62843 3/8" BAKE TUBE
- 10 36168 MANIFOLD ENCLOSURE
- 11 27359 MANIFOLD ENCLOSURE ASSY.
- 12 86555 VALVE - NG
- * 86558 VALVE - LP
- 13 86556 VALVE - NG
- * 86559 VALVE - LP
- 14 62341 TUBE, MANIFOLD

HIGH ALTITUDE CHART

- 1 62847 MANIFOLD ASSY. NG/HA
- * 62849 MANIFOLD ASSY. LP/HA
- 12 86564 VALVE - LP/HA
- * 86561 VALVE - NG/HA
- 13 86565 VALVE - LP/HA
- * 86559 VALVE - NG/HA

Part no longer available? Contact Dacor: (800) 793-0093 ex. 3814

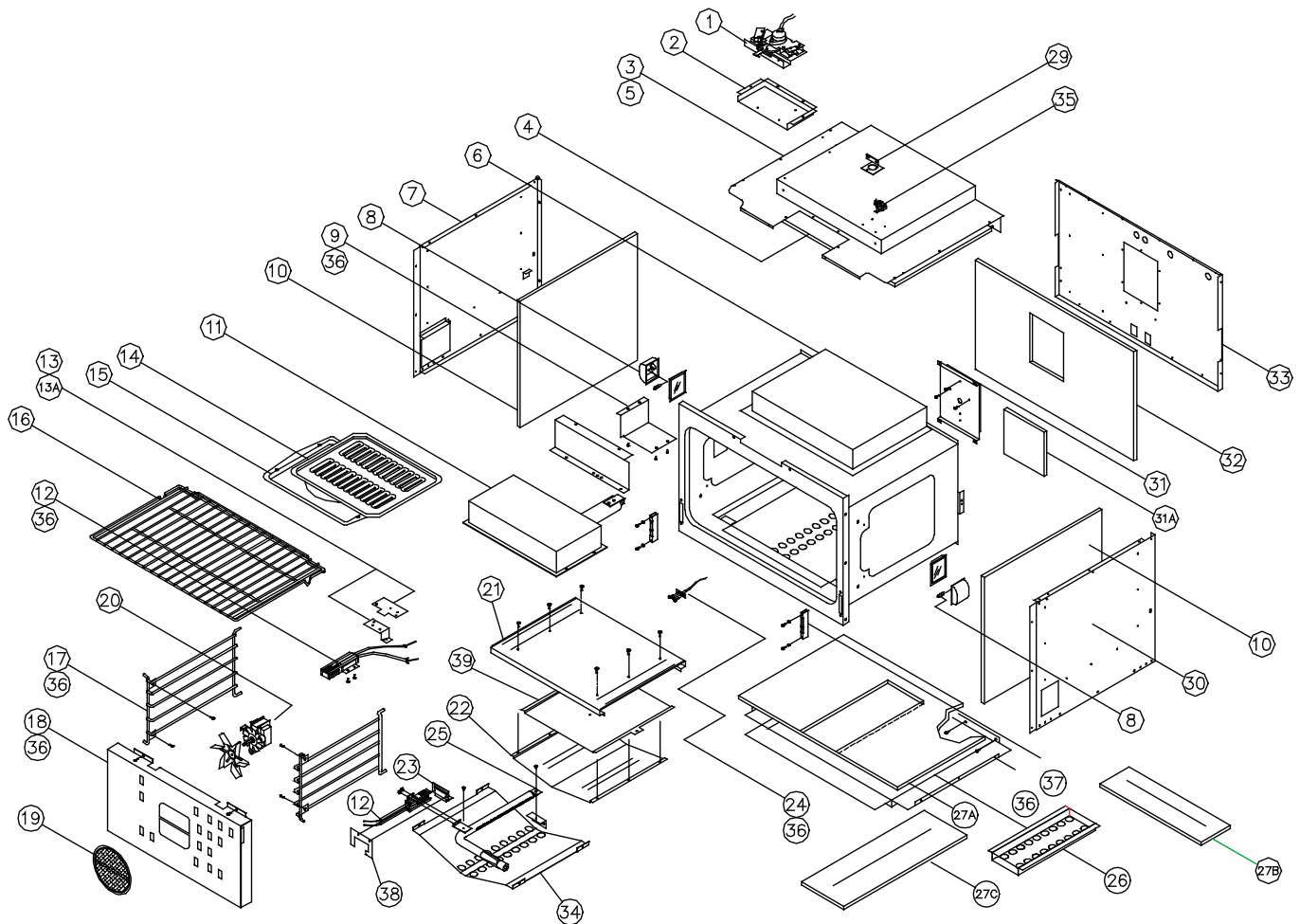
ERG36 Range Oven Case Assembly



1	36448	COVER, BACK EXH. DUCT
2	36449	EXHAUST DUCT, BACK
3	36184	BACK COVER
4	36183	SIDE PANEL, LH
5	38027	RACEWAY PANEL
6	36086	FACE FRAME
7	36182	SIDE PANEL, RH
8	36136BP	FLUE DUCT BASE
9	36137	FLUE DUCT COVER
10	36015	SHEILD FLUE DUCT

Part no longer available? Contact Dacor: (800) 793-0093 ex. 3814

ERG36 Range Cell Assembly

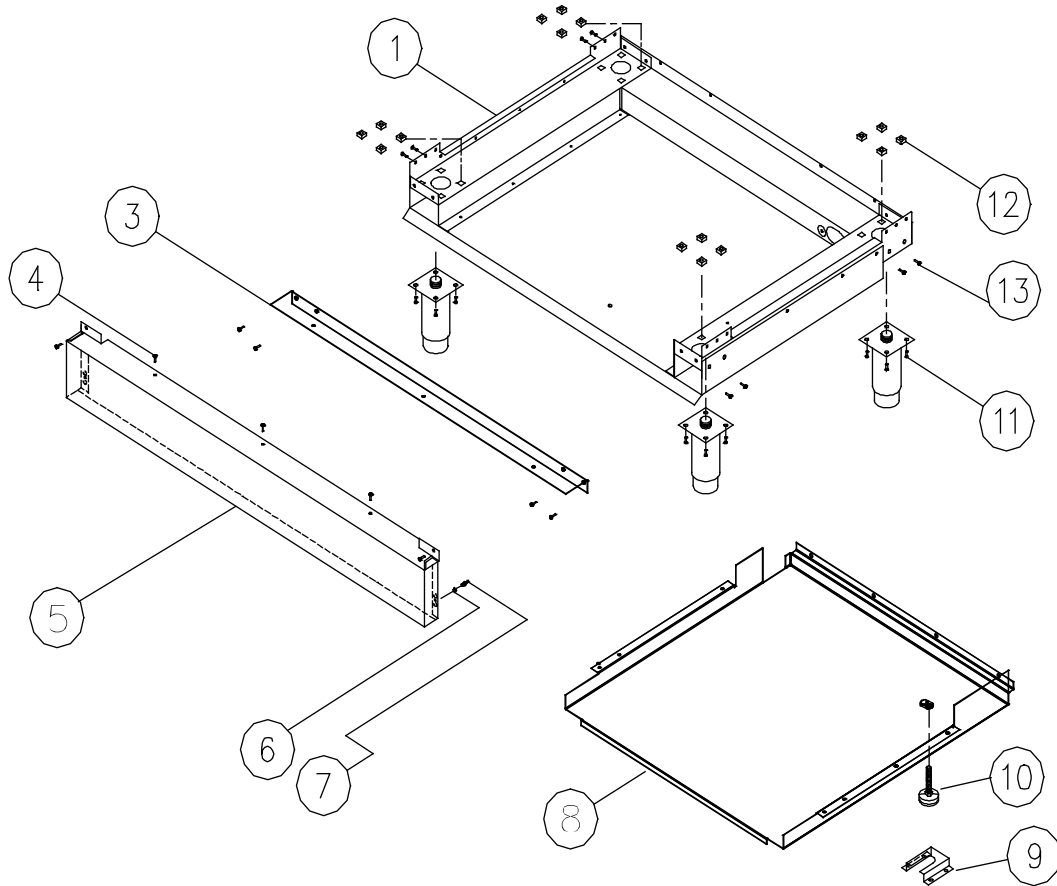


1	86166	DOOR LATCH MECHANISM	21	26449BP	OVEN CELL BOTTOM
2	26598	LATCH PLATE	22	26441	REFLECTOR BAKE BURNER
3	27560	ASY LID CASE TOP	23	26404	BRKT. TUBULAR BURNER
4	80030	CASE TOP FRONT, INSULATION	24	62593	TEMPERATURE SENSOR 2"
5	36188	CASE TOP,FRONT	25	82431	TUBULAR BURNER
6	CELL, NOT A REPLACEABLE PART		26	26127	CASE BOTTOM COVER
7	27530	CASE SIDE ASY., LEFT	27	36372	CASE BOTTOM
8	62175	HALOGEN LIGHT, ASY.	27A	80174	INSULATION CELL BOTTOM 4
9	36098	VENTURITUBE SHIELD	27B	80176	INSULATION CELL BOTTOM 2
10	80032	INSULATION CASE SIDE	27C	80177	INSULATION CELL BOTTOM 1
11	62262	IR BROILER	28	62436	HINGE, DOOR
12	82473	HOT SURFACE IGNITOR	29	36276	BRACKET, HI-LIMITS SWITCH
13	36286	BRACKET,IGNITOR MTG	30	27529	CASE SIDE ASY.,RIGHT
13A	36285BP	SHIELD, IGN MTG BLK	31	36280	CONV. MTR MTG. PLATE ASY.
14	82106	PORCELAIN GRILL	31A	80168	INSULATION
15	82107	PORCELAIN GRILL PAN	32	80031	INSULATION, CASE REAR
16	62783	OVEN RACK	33	26882	CASE REAR
17	62972	RACK SUPPORT	34	36445	HEAT SHIELD, BAKE BURNER
18	36442BP	CONVECTION BAFFLE	35	62971	SWITCH, AUTO RESET HI-TEMP
19	82891	CONVECTION FILTER	36	83534	SCREW, WAFER HD. #8 X 3/8"
20	62101	CONVECTION FAN INT.	37	83420	SCREW, BTN HD, #10-32 X .500
			38	36166	BRACKET, IGNITOR
			39	36360	SHIELD, CELL BOTTOM

**Bulb only 86573

Part no longer available? Contact Dacor: (800) 793-0093 ex. 3814

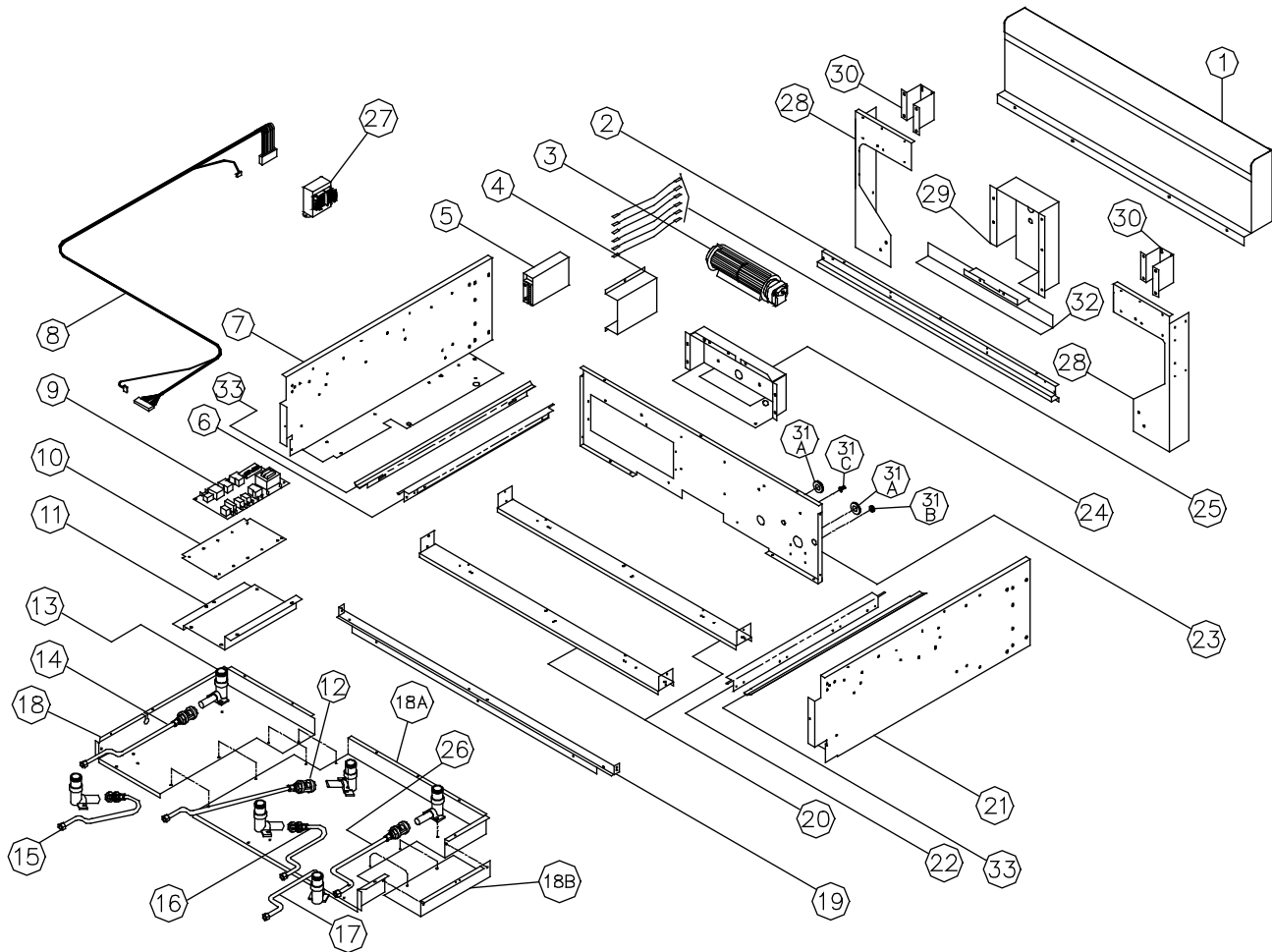
ERG36 Range Base Assembly



1	13464	BASE ASSEMBLY
2	62047	ADJUSTABLE LEG
3	36396	EXHAUST DEFLECTOR
4	83534	SCREW, WAFER HD #8 X 3/8"
5	36167	KICK PANEL
6	83308	6-32 KEPS NUT
7	83412	BALL STUD EXTENDED
8	27653	EXHAUST DUCT
9	26041	ANTI-TIP BRACKET
10	83359	LEVELER
11	83397	SCREW, CAP 1/4-20 X 5/8
12	83398	NUT, RETAINER 1/4-20
13	83023	SCREW, SLOT HWH, #10 X 3/8"
**	66813	Black Plastic Leg Insert

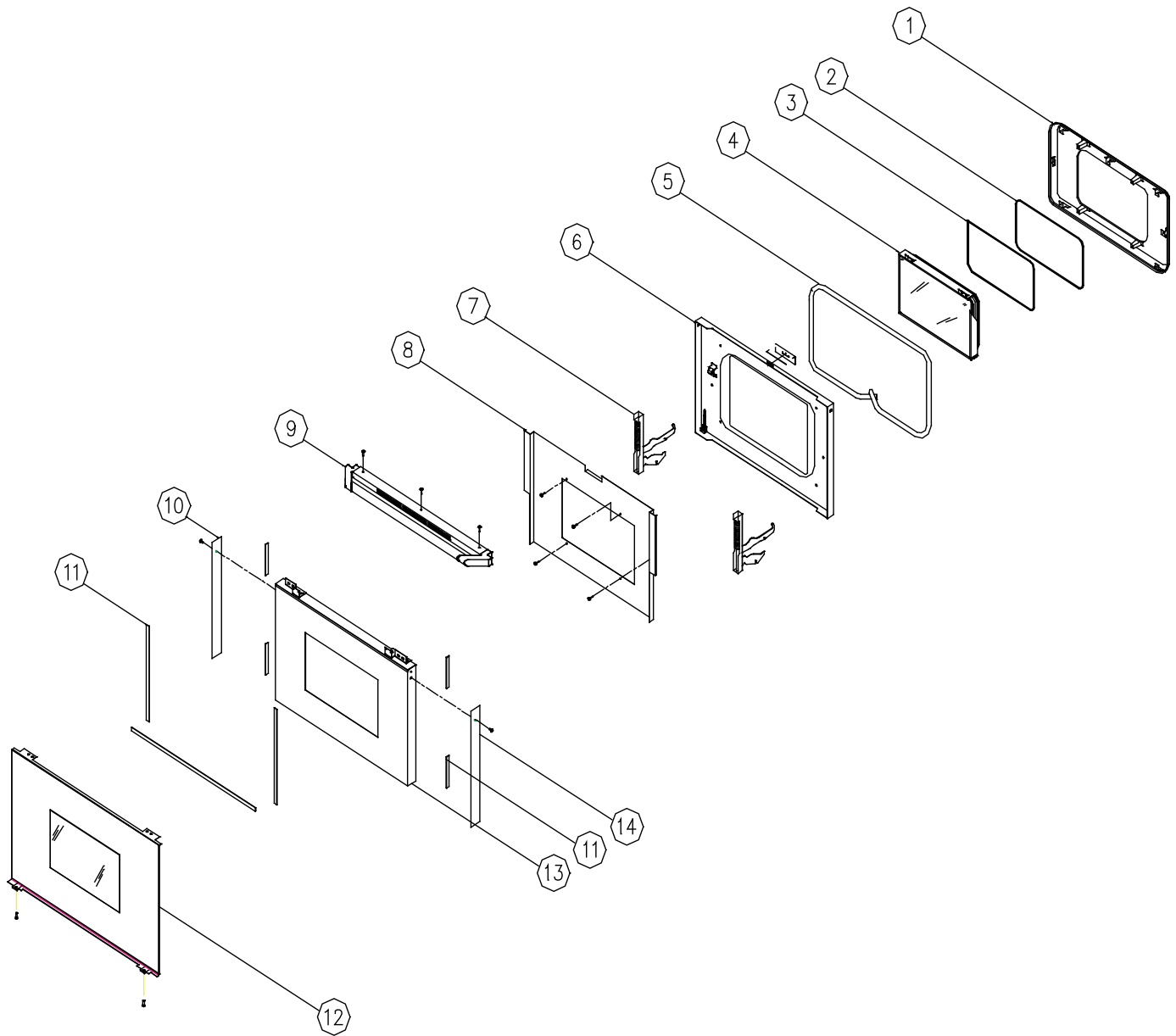
Part no longer available? Contact Dacor: (800) 793-0093 ex. 3814

ERG36 Range Gas Tubing Assembly



1	13346	BACKSPLASH 3"	18	36191	CHASSIS TOP LEFT
*	13327	BACKSPLASH 9"	18A	36190	CHASSIS TOP RIGHT
*	13358	BACKSPLASH 24"	18B	36170	CHASSIS TOP COVER
2	36130	CHANNEL MTG	19	36532B	SUPPORT, SPILL TRAY FRONT, BLK
3	82347	COOLING FAN	20	26928	CHANNEL, BURNER SUPPORT
4	26874	BRACKET IGNITOR	21	27510	SIDE SUPPORT, RH
5	86528	SPARK MODULE, 6 PT	22	36035	SIDE SUPPORT, SPILL TRAY RH
6	36035	LH SPT, SPILL TRAY	23	36025	REAR PANEL
7	26924	SIDE SUPPORT, LH	24	26971	BRACKET, COOLING FAN
8	66822	HARNES ASSY.	25	62817	IGNITOR WIRES
9	62438	RELAY, PCB (105C)	26	62855	BURNER TUBE, #6 NG
10	26072	PCB MTG. PLATE	*	62867	BURNER TUBE, #6 LP
11	83538	SUPPORT, RELAY PCB	**	82151	TERMINAL BLOCK
12	62852	BURNER TUBE, #3 NG	27	62057	TRANSFORMER, CLASS 2
*	62864	BURNER TUBE, #3 LP	28	36217	STIFFENER, REAR PANEL (RH)
13	62144	BURNER BASE	**	36218	STIFFENER, REAR PANEL (LH)
14	62850	BURNER TUBE, #1 NG	29	36476	VENTURI ORFICE COVER
*	62862	BURNER TUBE, #1 LP	30	36215	CHANNEL, STIFFENER
15	62851	BURNER TUBE, #2 NG	31A	83078	GROMMET
*	62863	BURNER TUBE, #2 LP	31B	38278	GROMMET
16	62853	BURNER TUBE, #4 NG	31C	83523	BUSHING, 3/8" HOLE
*	62865	BURNER TUBE, #4 LP	32	36468	DUCT, PRIMARY AIR
17	62854	BURNER TUBE, #5 NG			
*	62866	BURNER TUBE, #5 LP			

ERG36 Range Door Assembly



1	27349BP	INNER LINER ASSY.
2	82790BP	"J" TRIM
3	26429	THERMOCORD
4	12470	WINDOW PACK
5	62813	DOOR GASKET
6	86753	OUTER LINER ASSY.
7	62436	HINGE
8	26908B	HEAT SHIELD
9	13433SBK,SBR,SCH,SCP	DOOR HANDLE ASSY.
10	36172	TRIM DOOR EDGE (LH)
11	83573	TAPE, DBL SIDED
12	66092	DOOR SKIN
13	27615B	DOOR FRAME
14	36171	TRIM DOOR EDGE (RH)