

The Dacor logo is rendered in a bold, italicized, sans-serif font with a metallic, 3D effect. The letters are dark with a lighter, reflective highlight on the top and left sides, giving it a sleek, modern appearance. A registered trademark symbol (®) is located at the end of the word.

# **dacor**®

The Life of the Kitchen.®

A photograph of a Dacor ERD48 Range is shown in the background, slightly faded. The range is a large, stainless steel appliance with a cooktop featuring six burners and a central griddle. Below the cooktop is a large oven with a glass door. The range is set on a wooden kitchen island. Various kitchen items like a bowl of fruit, a bottle of oil, and a basket of bread are visible on the counter around the range.

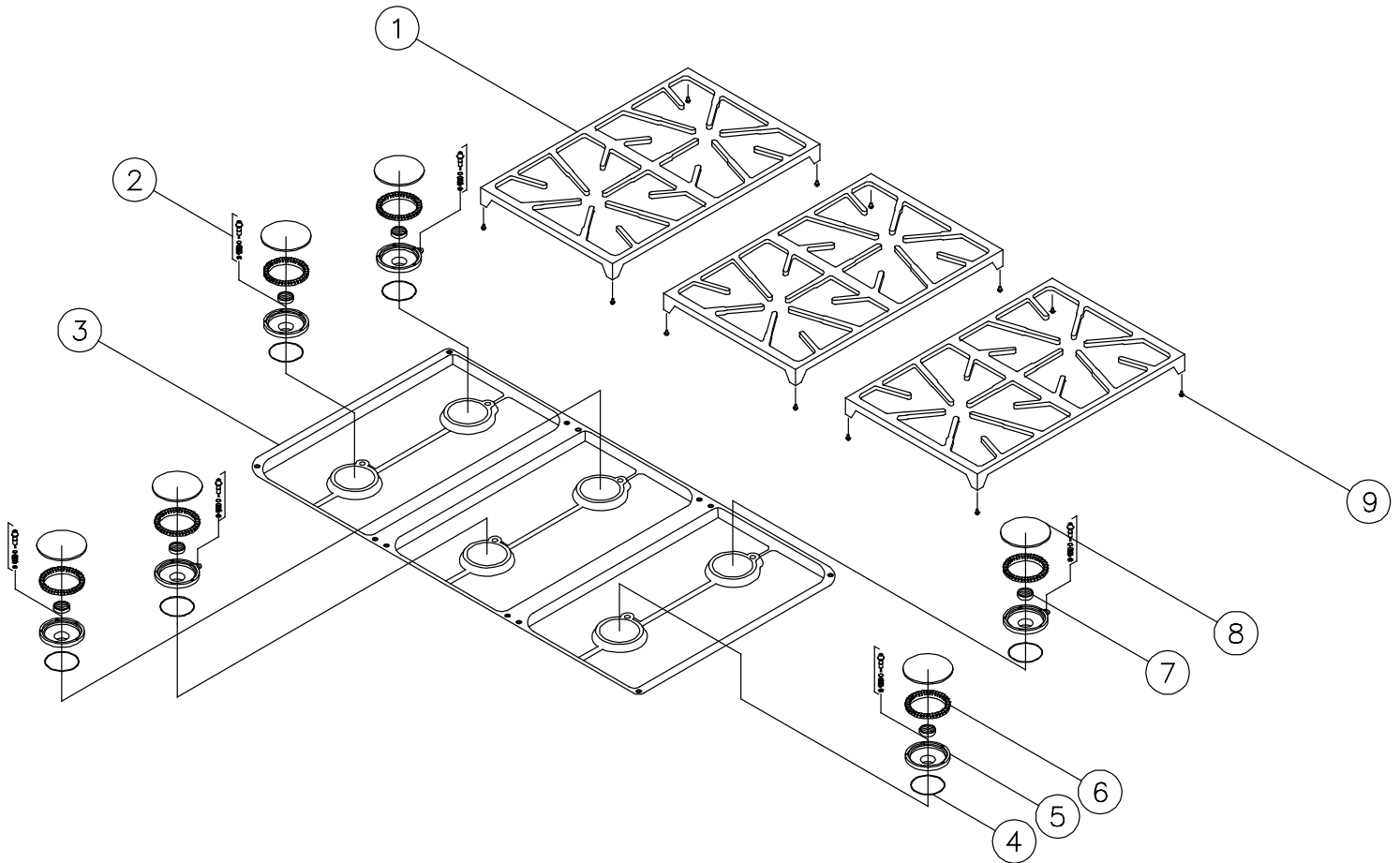
## **PARTS CATALOG**

### **ERD48 Range**

<b>Page</b>	<b>Description</b>
<b>2</b>	<b>Top Frame Assembly</b>
<b>3</b>	<b>Control Panel Assembly</b>
<b>4</b>	<b>Manifold Assembly</b>
<b>5</b>	<b>Gas Tubing Assembly</b>
<b>6</b>	<b>18 Inch Cell Assembly</b>
<b>7</b>	<b>36 Inch Cell Assembly</b>
<b>8</b>	<b>Oven Case Assembly</b>
<b>9</b>	<b>Base Assembly</b>
<b>10</b>	<b>18 Inch Door Assembly</b>
<b>11</b>	<b>36 Inch Door Assembly</b>

Revised 11-14-2012

# ERD48 Range Top Frame Assembly

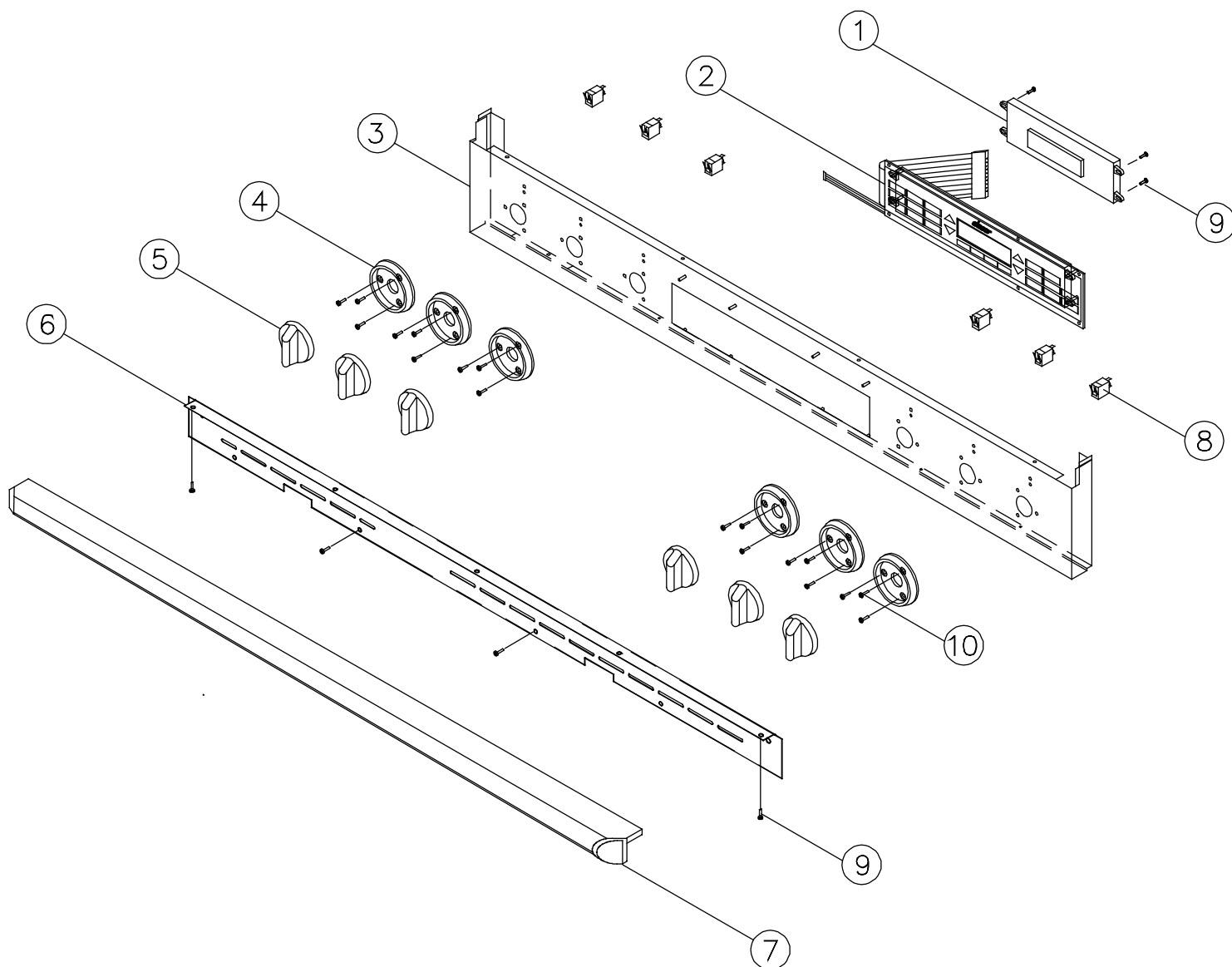


Item	Part #	Description
1	72434SB <sup>1</sup>	GRATE PACK
	62881BM <sup>2</sup>	GRATE PACK
2	76482-001	IGNITOR ASSEMBLY
3	26746BP	SPILL TRAY
4	86395	O-RING - "D" BURNER
5	62954	BURNER HEAD "D" BURNER
6	82564	BURNER RING "D" BURNER
7	86405	BRASS NUT
8	72435SB	BURNER CAP "D" BURNER
9	66916	GRATE SUPPORT PAD (set)
-	62933	IGNITER JACKET (not shown)

<sup>1</sup>Ranges revision G and later

<sup>2</sup>Ranges before revision G

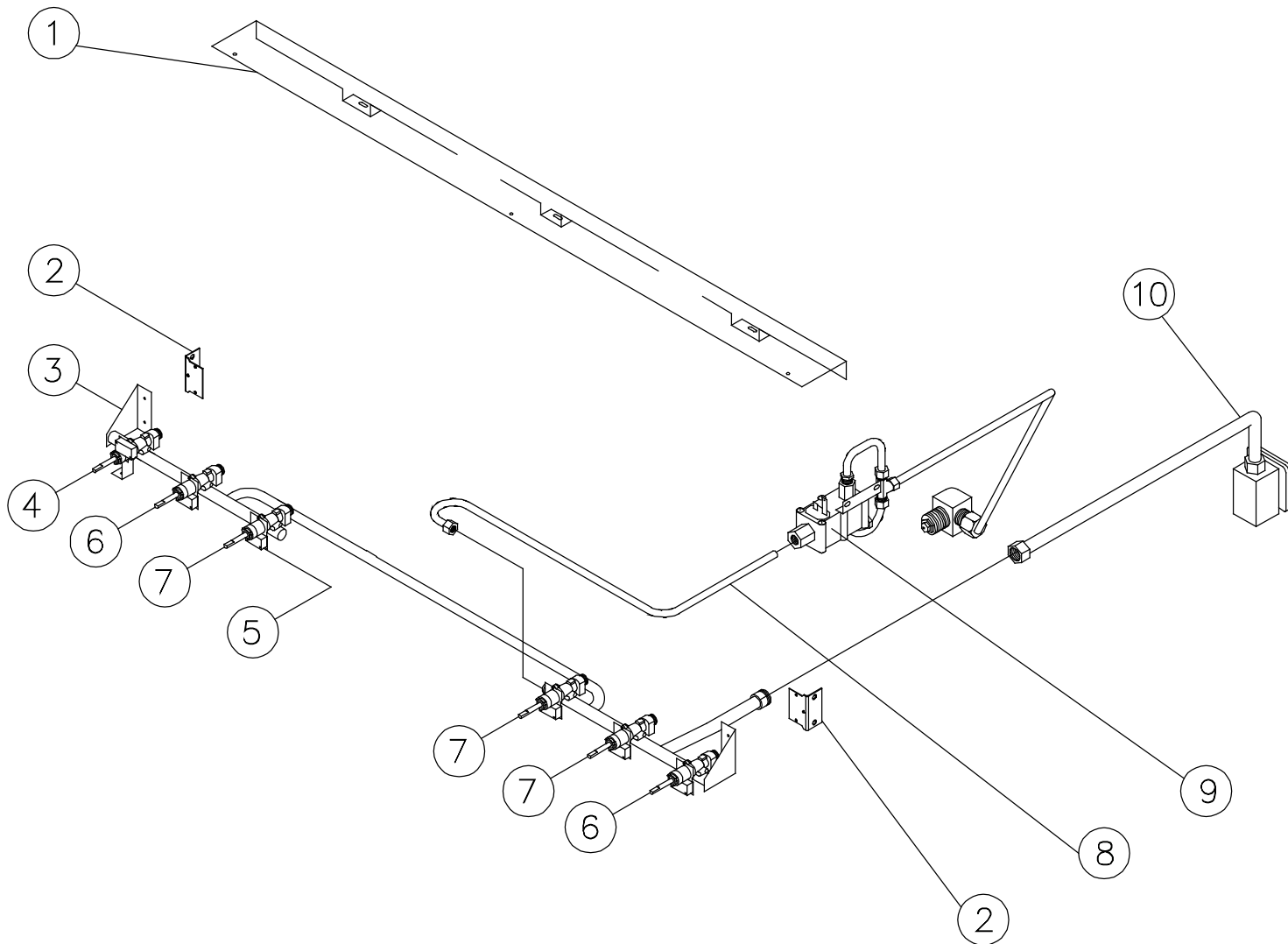
# ERD48 Range Control Panel Assembly



Item	Part #	Description
1	62680	Oven Control
2	72943B	MEMBRANE PANEL, RANGES REV. P AND LATER
	62310	MEMBRANE PANEL, RANGES BEFORE REV. P
3	26902E	CONTROL PANEL
4	100122CH	TRIM RING
5	62021B	KNOB
6	36087	INTAKE GRILL
7	66832SBK <sup>1</sup>	ASSEMBLY, BULLNOSE WITH BLACK END CAPS
	66832SBR <sup>1</sup>	ASSEMBLY, BULLNOSE WITH BRASS END CAPS
	66832SCH <sup>1</sup>	ASSEMBLY, BULLNOSE WITH CHROME END CAPS
	66832SCP <sup>1</sup>	ASSEMBLY, BULLNOSE WITH COPPER END CAPS
8	82086	INDICATOR LIGHT, BLUE NEON
9	83308	6-32 KEPS NUT
10	83534	SCREW, WAFER HEAD 8 x 3/8

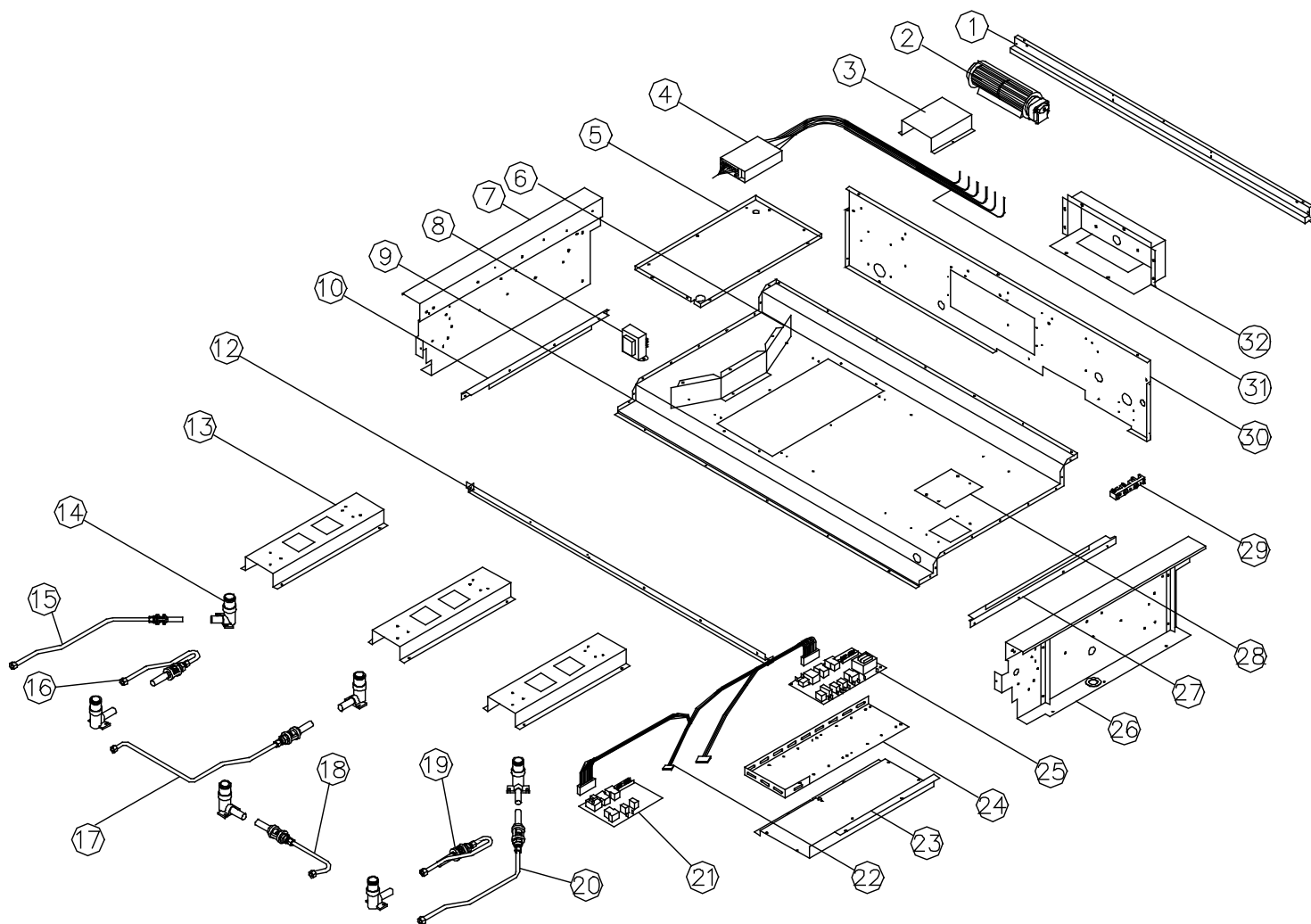
<sup>1</sup>Units with grate supports use base part number 86589

# ERD48 Range Manifold Assembly



Item	NG Part #	LP Part #	NGH Part #	LPH Part #	Description
1	36079	36079	36079	36079	TOP MANIFOLD ENCLOSURE
2	36085	36085	36085	36085	BRACKET - MANIFOLD SUPPORT
3	62473	62472	62470	62471	MANIFOLD WITH VALVES
4	86555	86558	86561	86564	VALVE
5	86576	86576	86576	86576	SWITCH
6	86557	86560	86563	86566	VALVE
7	86556	86559	86562	86565	VALVE
8	62442	62442	62442	62442	3/8" TUBE, MANIFOLD/AUTOMATIC VALVE
9	82429	82429	82429	82429	AUTOMATIC VALVE
10	62320	62834	62320	62834	REGULATOR ASSEMBLY

# ERD48 Range Gas Tubing Assembly



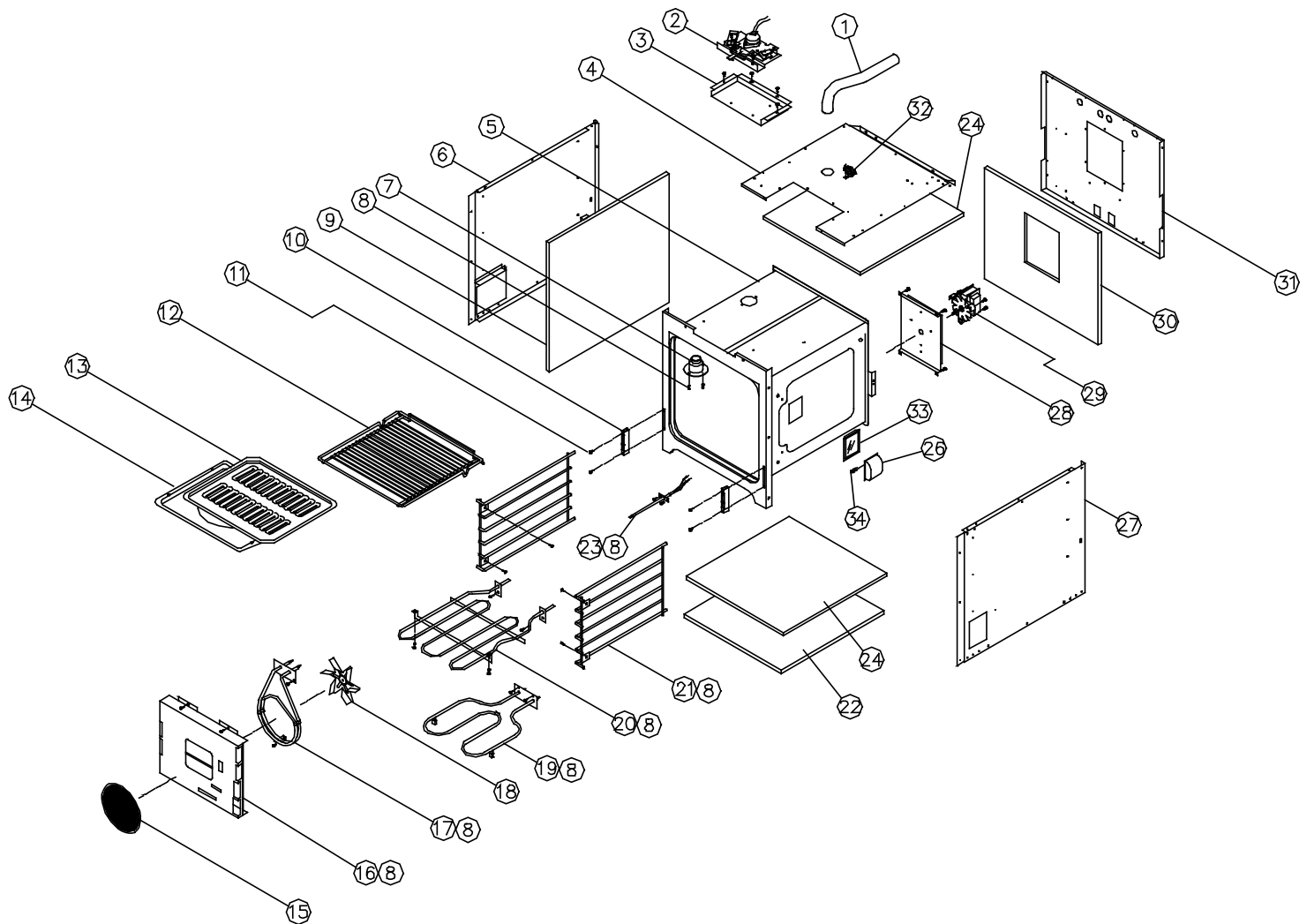
Item	Part # NG	Part # LP	Description
1	36103	36103	CHANNEL MTG TOP RR
2	82347	82347	COOLING FAN
3	26874	26874	IGNITOR BRACKET
4	82318	82318	SPARK MODULE
5	46076	46076	PCB OPENING ACS BRKT
6	26608	26608	REAR BAFFLE
7	36328	36328	SIDE SUPPORT LEFT
8	62808	62808	TRANSFORMER <sup>1</sup>
	62057	62057	TRANSFORMER <sup>2</sup>
9	36108	36108	CHASSIS PLATE
10	36035	36035	SIDE SUPPORT
12	36535B	36535B	SPILL TRAY, FRONT SPT
13	36313	36313	BURNER SUPPORT
14	62144	62144	BURNER BASE W/TUBE
15	62469	62463	TUBE ASSY #1

<sup>1</sup>Ranges revision Q and later

<sup>2</sup>Range before revision Q

Item	Part # NG	Part # LP	Description
16	62468	62462	TUBE ASSY #2
17	62467	62461	TUBE ASSY #3
18	62466	62460	TUBE ASSY #4
19	62465	62459	TUBE ASSY #5
20	62464	62458	TUBE ASSY #6
21	82994	82994	LOWER RELAY, PCB
	72010	72010	HARNESS ASSY <sup>1</sup>
22	62396	62396	HARNESS ASSY <sup>2</sup>
	36031	36031	SUPPORT, RELAY PCB
23	36031	36031	SUPPORT, RELAY PCB
24	36107	36107	PLATE, PCB MTG
25	92029	92029	MAIN RELAY
26	36554	36554	SIDE SUPPORT RIGHT
27	36035	36035	SIDE SUPPORT
28	36091	36091	COVER PLATE, MANIFOLD
29	82151	82151	TERMINAL BLOCK
30	36065	36065	REAR PANEL
31	62818	62818	IGNITOR WIRES
32	26971	26971	COOLING FAN BRACKET
-	86939	86939	WIRE HARNESS, ERC/RELAY

# ERD48 Range 18" Cell Assembly

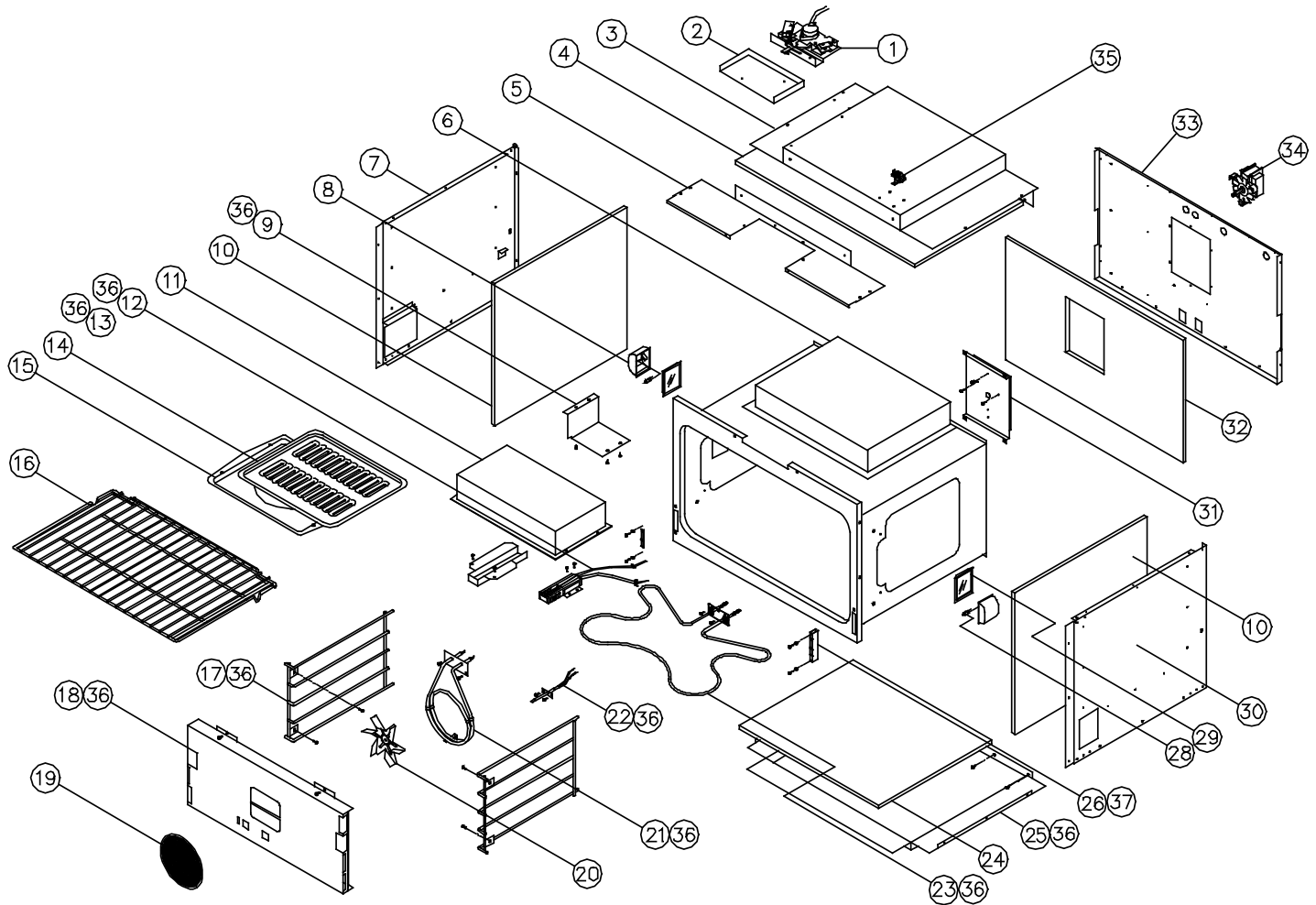


Item	Part #	Description
1	82240	EXHAUST TUBE
2	701582 <sup>1</sup>	DOOR LATCH MECHANISM <sup>1</sup>
3	701582 <sup>1</sup>	LATCH PLATE <sup>1</sup>
4	26879	CASE TOP
5	REF	18" OVEN CELL (not replaceable)
6	27530	CASE SIDE - LEFT
7	82826	SMOKE ELIMINATOR
8	83534	SCREW, WAFER HD, #8 x 3/8"
9	80132	OVEN CELL INSULATION WRAP
10	62075	HINGE RECEPTACLE
11	83024	HINGE SCREW
12	62782	18" OVEN RACK
13	82106	PORCELAIN GRILL
14	82107	PORCELAIN PAN
15	82891	CONVECTION FILTER
16	26759BP	CONVECTION BAFFLE
17	82377	CONVECTION ELEMENT

Item	Part #	Description
18	62101-002	FAN BLADE, CONVECTION MOTOR
19	62264	BAKE ELEMENT
20	62076	BROIL ELEMENT
21	62972	SUPPORT, RACK
22	26880	CASE BOTTOM
23	62593	TEMPERATURE SENSOR
24	80133	INSULATION
26	62176	LIGHT ASSEMBLY
27	27529	CASE SIDE - LEFT
28	36280	CONV. MTR. MTG. PLATE
29	62101	CONVECTION MOTOR
30	80131	INSULATION, CASE RR
31	26883	CASE BACK
32	82987	THERMAL SWITCH, HI-TEMP CUT OUT
33	86574	LIGHT SHIELD
34	86573	HALOGEN LIGHT BULB

<sup>1</sup>Must order kit # 701582. Includes latch, latch plate and 6 screws.

# ERD48 Range 36" Cell Assembly



Item	Part #	Description
1	701582 <sup>3</sup>	DOOR LATCH MECHANISM
2	701582 <sup>3</sup>	LATCH PLATE
3	38038	CASE TOP, REAR
4	80136	INSULATION
5	36220	CASE TOP FRONT
6	REF	36" OVEN CELL (not replaceable)
7	27530	CASE SIDE - LEFT
8	62175	HALOGEN LIGHT ASSEMBLY
9	36098BP	SHIELD, VENTURI TUBE
10	80135	INSULATION, CELL SIDE
11	62262	IR BROILER
12	82473	HOT SURFACE IGNITOR
13	66629	IGNITOR SHIELD, IR BROILER
14	82106	PORCELAIN GRILL
15	82107	PORCELAIN PAN
16	62783	OVEN RACK, 36"
17	62784 <sup>1</sup>	SUPPORT, RACK <sup>1</sup>
18	26967BP <sup>2</sup>	CONVECTION BAFFLE <sup>2</sup>

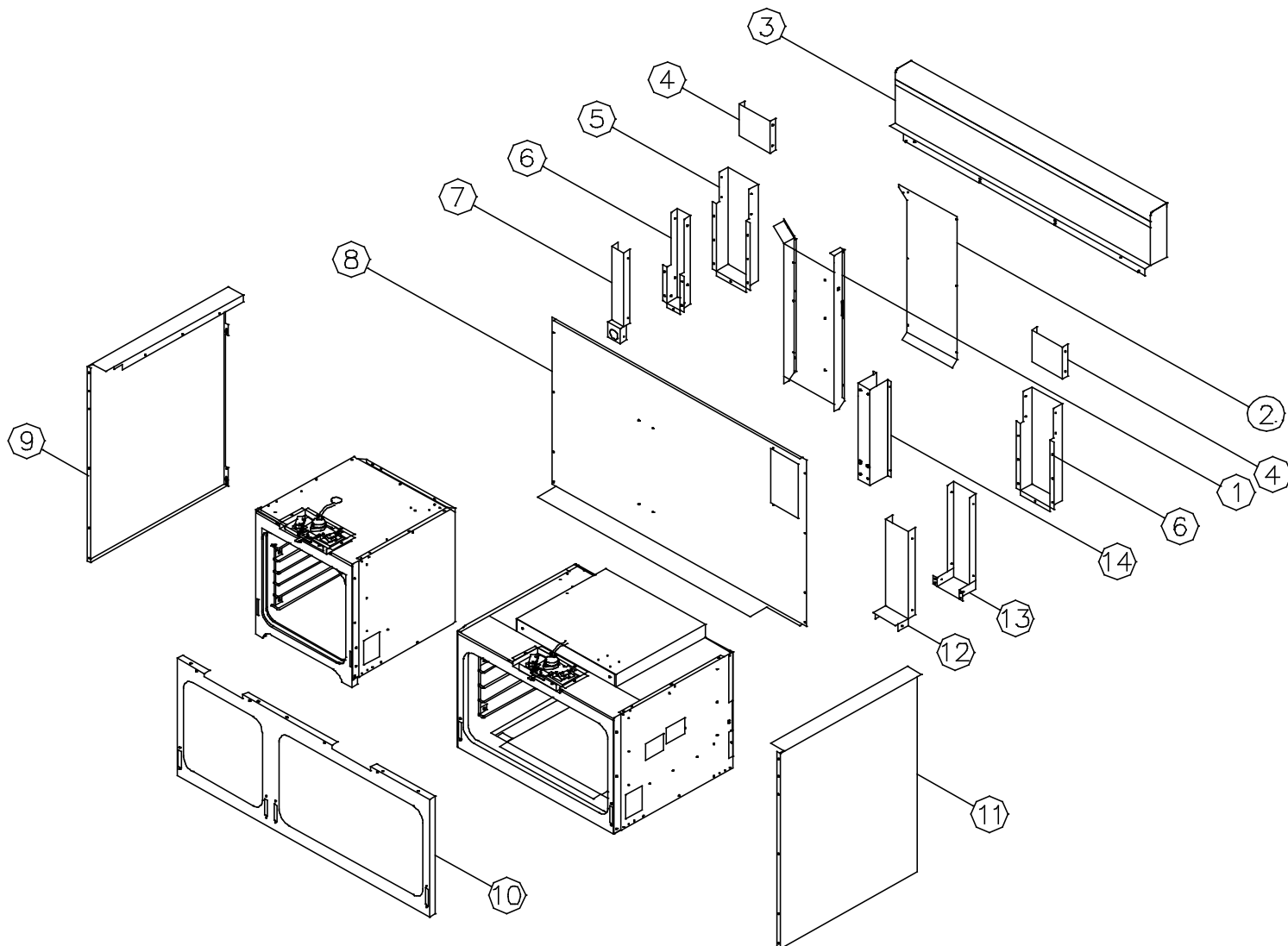
Item	Part #	Description
19	82891	CONVECTION FILTER
20	62101-002	FAN BLADE, CONVECTION MOTOR
21	701042	CONVECTION ELEMENT
22	62593	TEMPERATURE SENSOR
23	62601	BAKE ELEMENT
24	80133	INSULATION
25	26974	CASE BOTTOM
26	62075	HINGE RECEPTACLE
28	86573	HALOGEN LIGHT BULB
29	86574	LIGHT SHIELD
30	27893	CASE SIDE - RIGHT
31	36280	CONV. MTR. MTG. PLATE
32	80131	INSULATION, CASE BACK
33	26882	CASE BACK
34	62101	CONVECTION MOTOR
35	82987	THERMAL SWITCH, HI-TEMP CUT OUT
36	83534	SCREW, WAFER HD, #8 x 3/8"
37	83420	SCREW, BTN HD, #10-32 x 1/2"

<sup>1</sup>Use part number 62972 for ranges revision H and later.

<sup>2</sup>Use part number 36818BP for ranges revision H and later.

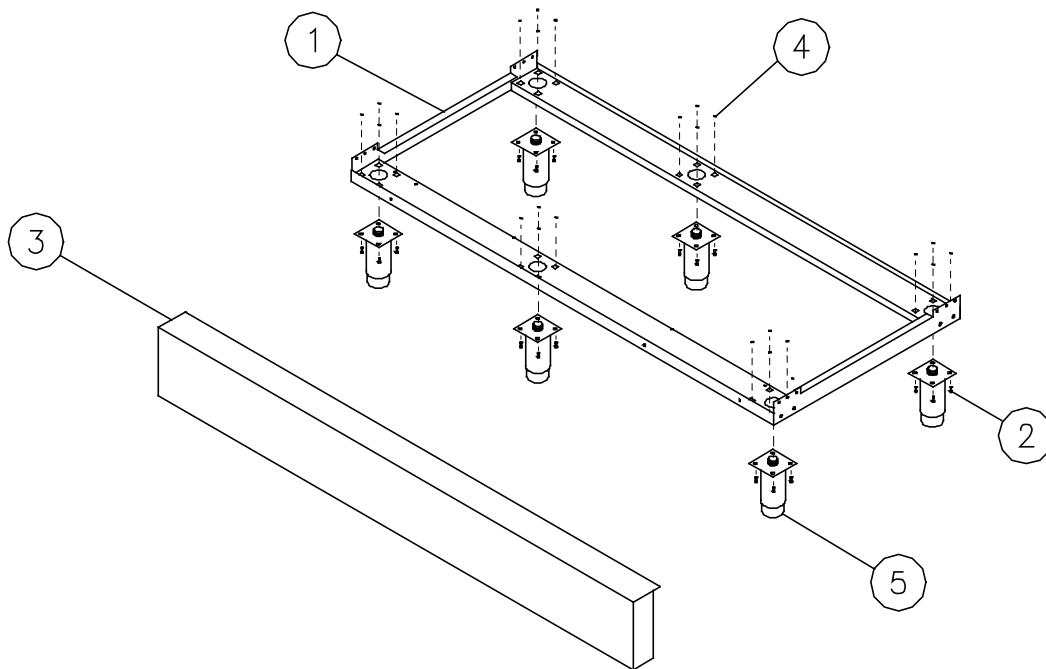
<sup>3</sup>Must order kit # 701582. Includes latch, latch plate and 6 screws.

# ERD48 Range Oven Case Assembly



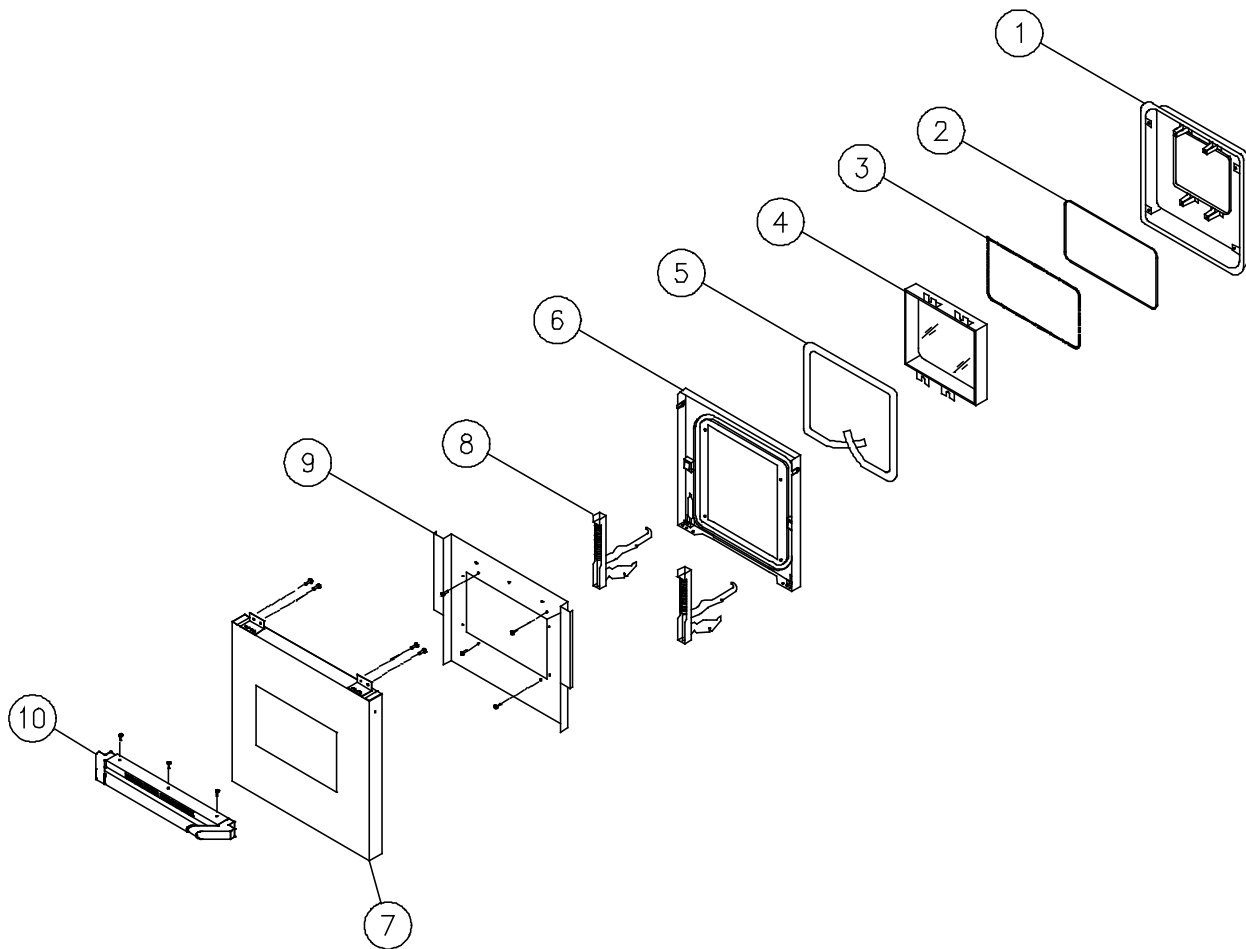
Item	Part #	Description
1	36493	BACK COVER TOP
2	36020	COVER, EXHAUST DUCT
3	13355	3" BACKSPLASH ASSEMBLY
	13356	9" BACKSPLASH ASSEMBLY
	13359	24" BACKSPLASH ASSEMBLY
4	36051	SHIELD FLUE DUCT FRONT
5	36021	SHIELD FLUE DUCT 9"
6	36134BP	SMOKE DUCT COVER
7	36135BP	SMOKE DUCT BASE
8	36084	BACK COVER
9	26955	SIDE PANEL - LEFT
10	26894	H-FRAME
11	26956	SIDE PANEL - RIGHT
12	36075BP	FLUE DUCT BASE 9"
13	36131BP	FLUE DUCT COVER, 9"
14	36083	BRACKET, BACK COVER

# ERD48 Range Base Assembly



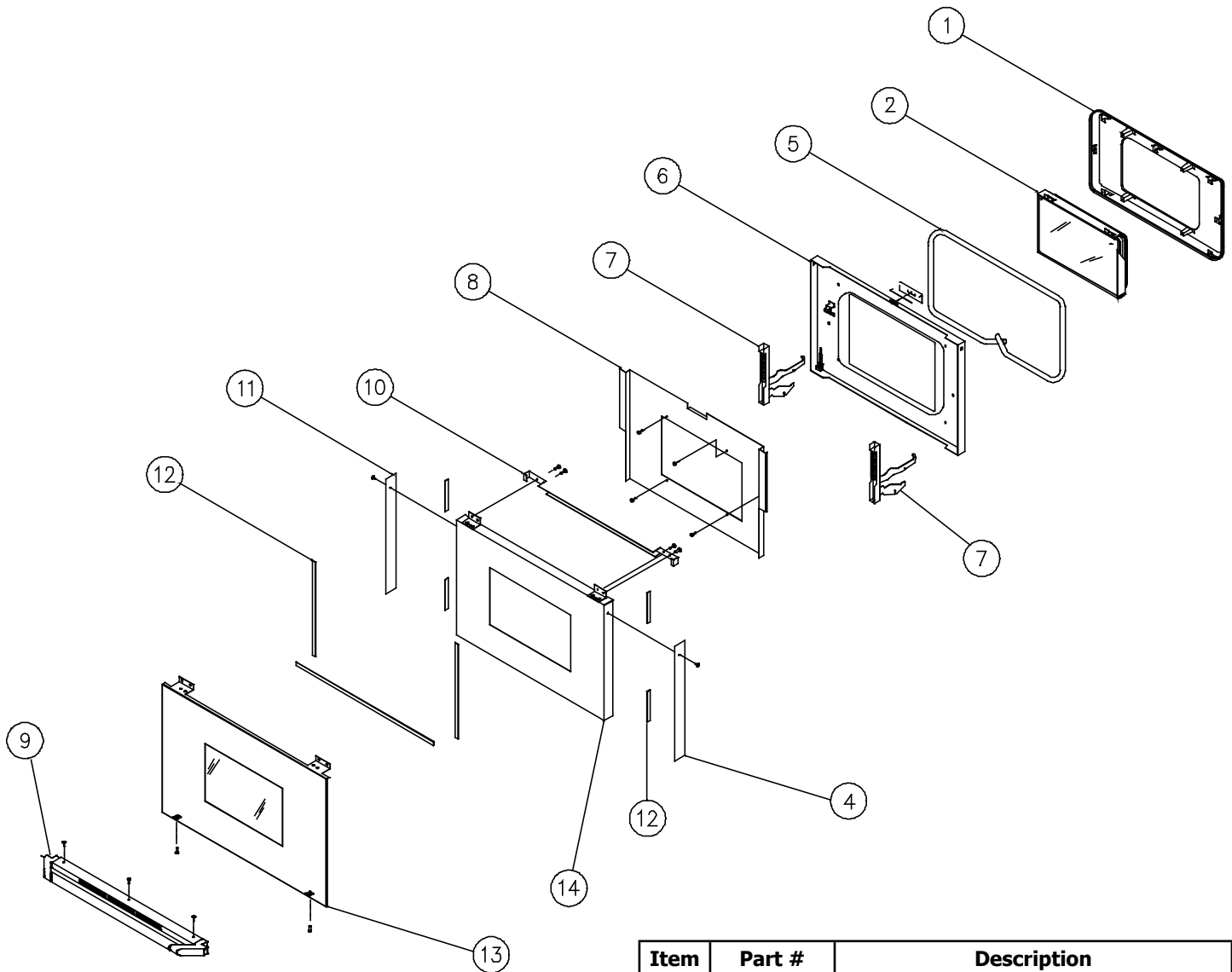
Item	Part #	Description
1	Ref	BASE ASSEMBLY
2	83397	SCREW, CAP 1/4-20 x 5/8
3	26895	KICK PANEL
4	83398	NUT, RETAINER 1/4-20
5	700000	LEG
-	66813	LEG INSERT, PLASTIC

# ERD48 Range 18" Door Assembly



Item	Part #	Description
1	27337BP	INNER LINER ASSEMBLY
2	62228BP	"J" TRIM
3	26805	THERMOCORD, WINDOW PACK
4	62229	WINDOW PACK
5	72035	DOOR GASKET
6	86740	OUTER LINER ASSEMBLY, 18" DOOR
7	66993	DOOR ASSEMBLY, OUTER
8	82883	HINGE
9	26904B	HEAT SHIELD
10	13432SCH	HANDLE ASSY, CHROME
	13432SBR	HANDLE ASSY, BRASS
	13432SCP	HANDLE ASSY, COPPER
	13432SBK	HANDLE ASSY, BLACK

# ERD48 Range 36" Door Assembly



Item	Part #	Description
1	27349BP	INNER LINER ASSEMBLY
2	12470	WINDOW PACK
3	72511	DACOR LOGO (not shown)
4	36361	TRIM - DOOR EDGE, RIGHT
5	72046	DOOR GASKET
6	86753	OUTER LINER ASSEMBLY
7	62436	DOOR HINGE
8	26908B	HEAT SHIELD
9	13407SCH	HANDLE ASSY, CHROME
	13407SBR	HANDLE ASSY, BRASS
	13407SCP	HANDLE ASSY, COPPER
	13407SBK	HANDLE ASSY, BLACK
10	36341	BACKING PANEL
11	36362	TRIM - DOOR EDGE, LEFT
12	66962	TAPE, DOUBLE SIDED
13	66092	DOOR SKIN ASSEMBLY
14	27615B	MOUNTING FRAME ASSEMBLY