

dacor®

The Life of the Kitchen.®

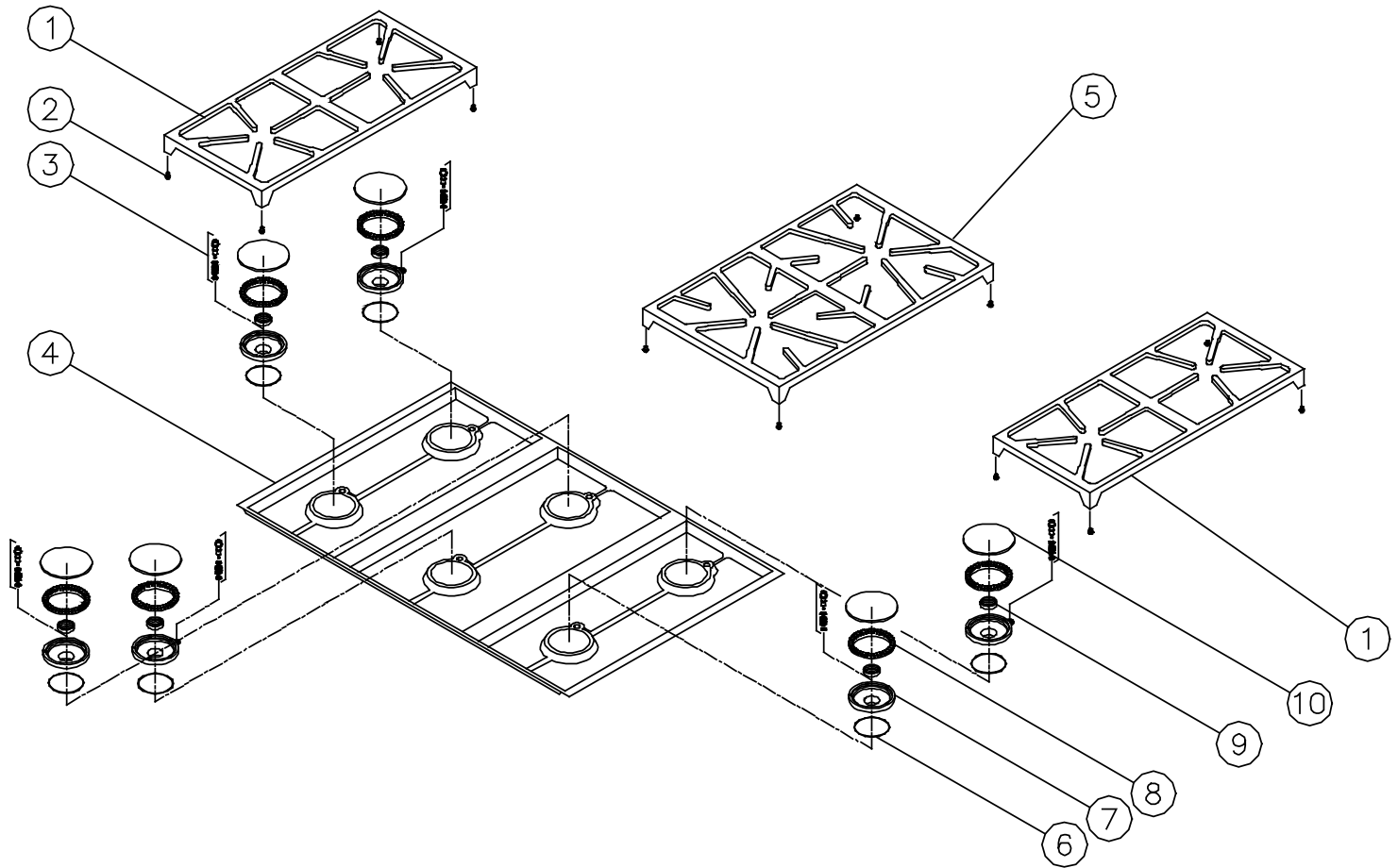
PARTS CATALOG

ERD36 Range

Page	Description
2	Top Frame Assembly
3	Control Panel Assembly
4	Manifold Assembly
5-6	Gas Tubing Assembly
7	Oven Cell Assembly
8	Oven Components
9	Oven Case Assembly
10	Base Assembly
11	Door Assembly

Revised 06-11-2012

ERD36 Range Top Frame Assembly



Item	Part #	Description
1	72433SB ¹	GRATE, 10 INCH
	62883BM ²	GRATE, 10 INCH
2	66916	GRATE SUPPORT PAD
3	76482-001	IGNITOR ASSEMBLY
4	26959BP	SPILL TRAY
5	72434SB ¹	GRATE, 14 INCH
	62881BM ²	GRATE, 14 INCH
6	86395	O-RING - "D" BURNER

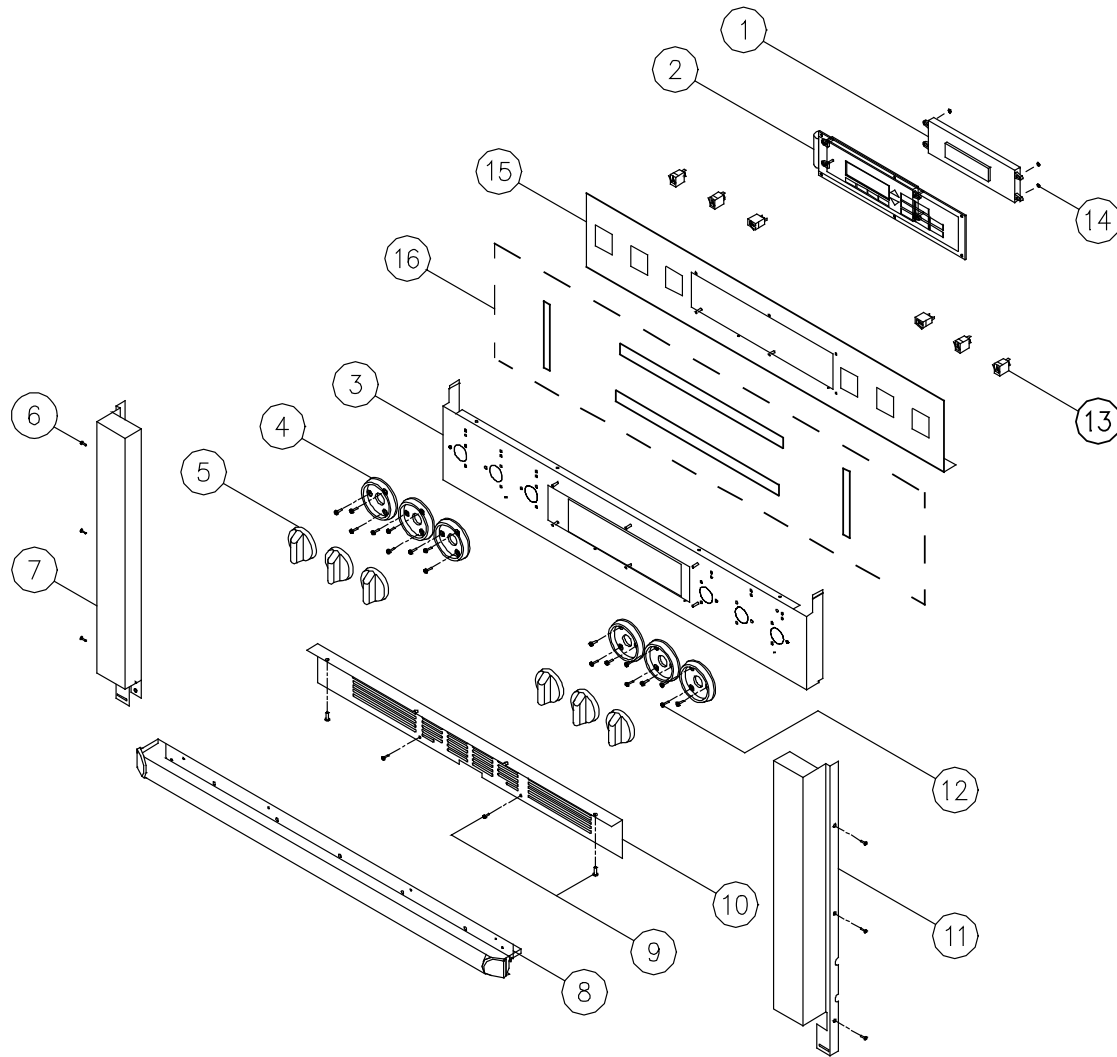
Item	Part #	Description
7	62954	BURNER HEAD "D" BURNER
8	82564	BURNER RING
9	86405	BRASS NUT
10	72435SB	BURNER CAP "D" BURNER
-	62933	IGNITER JACKET (not shown)
-	46130BP ³	FRONT SUPPORT ANGLE, SPILL TRAY ³ (not shown)
-	83064 ³	FOAM COUNTERTOP SEAL (not shown) ³

¹Ranges revision F and later

²Ranges before revision F

³Ranges after SN FN04322302, used to correct sloping grates and uneven spill trays.
Retrofittable to earlier models.

ERD36 Range Control Panel Assembly



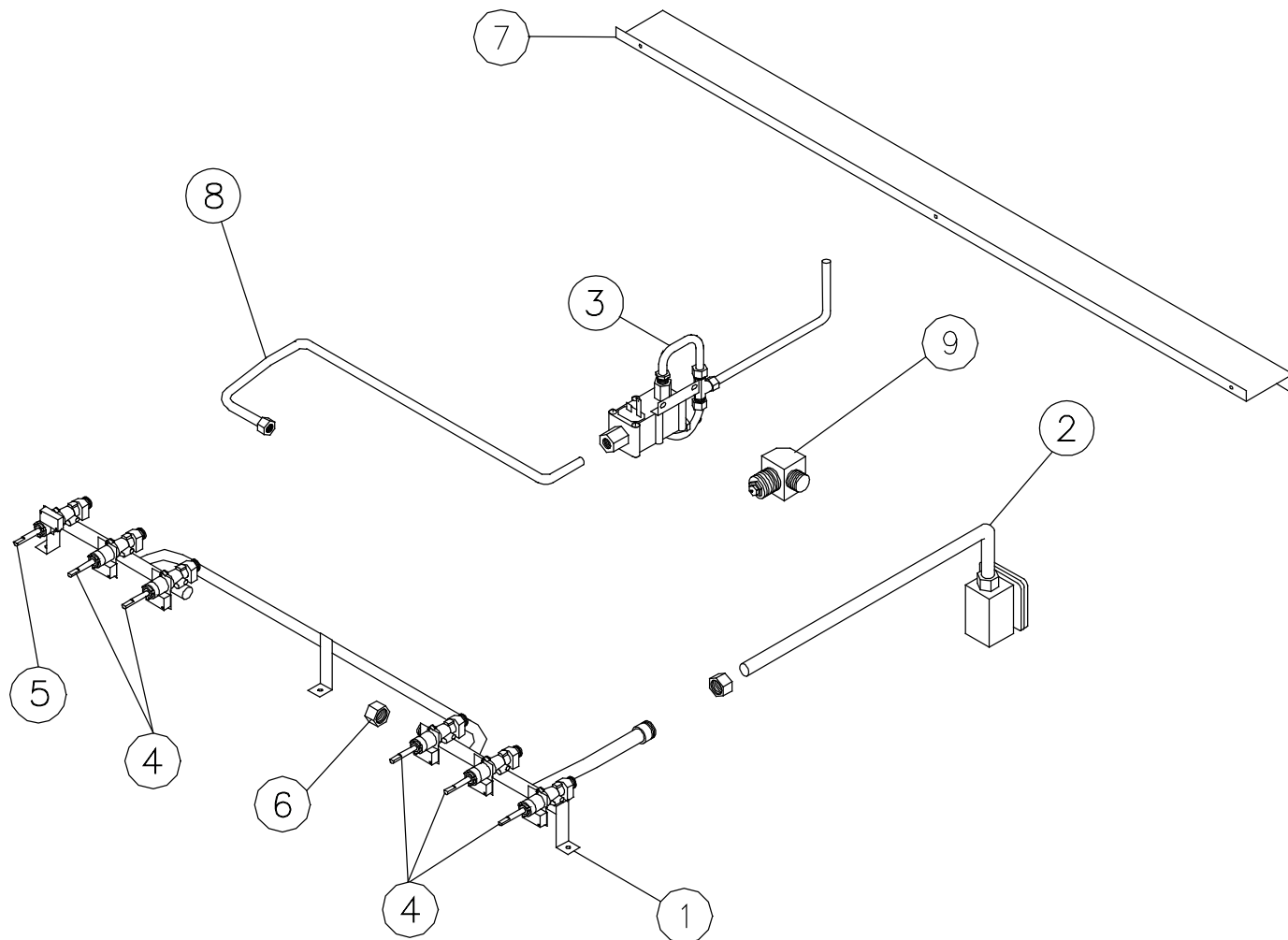
Item	Part #	Description
1	62707	OVEN CONTROL
2	72942B	MEMBRANE PANEL, RANGES REV. M AND LATER
	62309	MEMBRANE PANEL, RANGES BEFORE REV. M
3	26898E	CONTROL PANEL
4	100122xx ¹	TRIM RING
5	62021B	KNOB
6	83026	SCREW, 10 X 3/4"
7	26919	SIDE FRAME, LEFT
8	66831Sxx ^{1, 2}	ASSEMBLY, BULLNOSE WITH END CAPS

Item	Part #	Description
9	83571	SCREW WASHER HEAD 8 X 3/8"
10	26950	INTAKE GRILL WITH BUMPERS
11	26918	SIDE FRAME, RIGHT
12	83534	SCREW, WAFER HEAD, 8 X 3/8
13	82086	INDICATOR LIGHT, BLUE NEON
14	83308	6-32 KEPS NUT
15	26915	SUB-PANEL
16	83577	TAPE, DOUBLE-SIDED
-	872652	RUBBER BUMPER (NOT SHOWN)

¹Suffix indicates color: BK = black chrome, BR = brass, CH = chrome, CP = copper

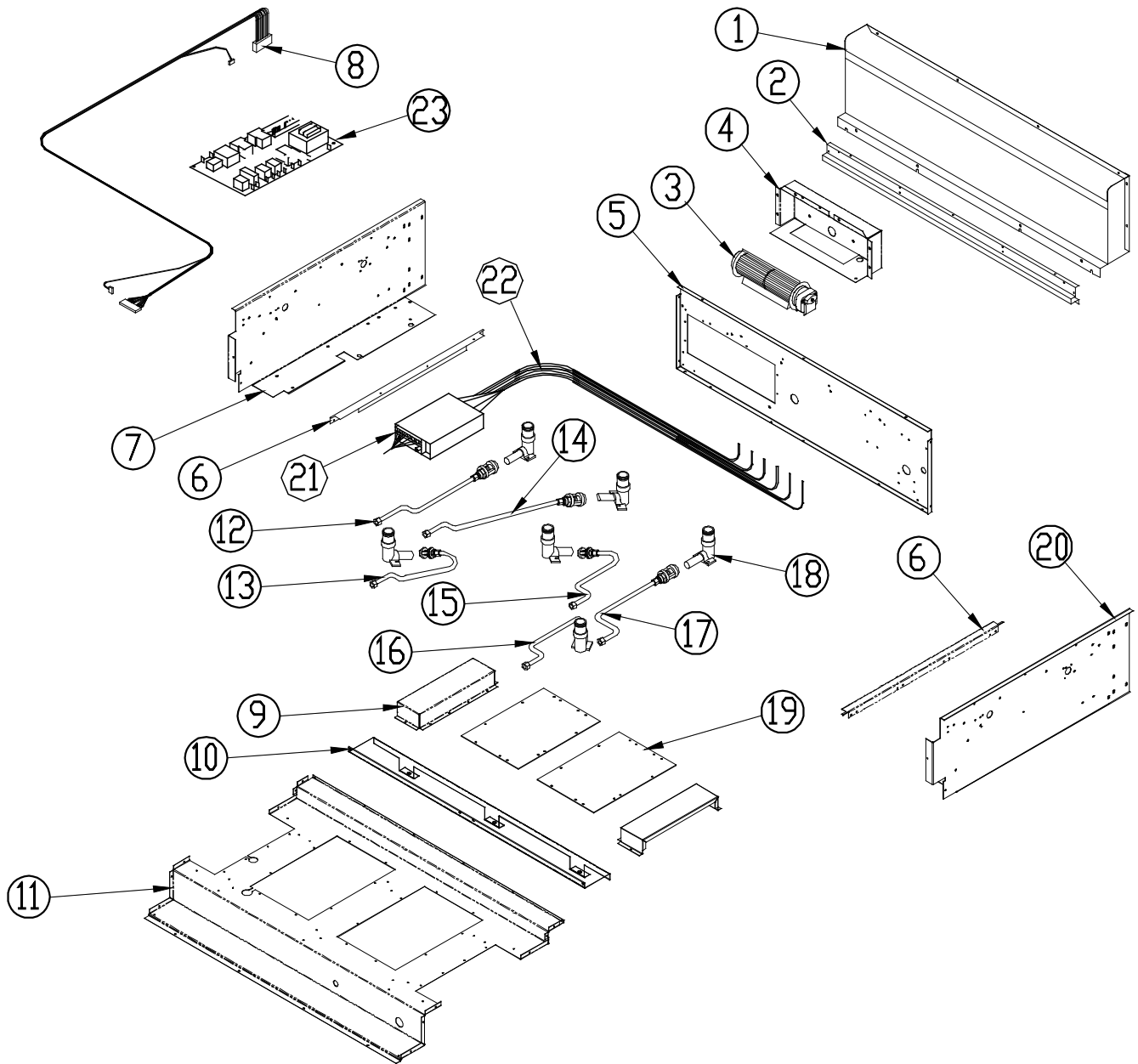
²Units with grate supports, use part number 86570xx

ERD36 Range Manifold Assembly



Item	NG Part #	LP Part #	NGH Part #	LPH Part #	Description
1	62967	62335	62968	62333	MANIFOLD WITH VALVES
2	13478	13232	13478	13232	REGULATOR ASSEMBLY
3	13233	13233	13233	13233	GAS VALVE ASSEMBLY
4	86556	86559	86562	86565	VALVE
5	86555	86558	86561	86564	VALVE
6	62058	62058	62058	62058	CAP 3/8"
7	46080	46080	46080	46080	MANIFOLD SHIELD
9	62838	62838	62838	62838	FITTING, ORIFACE, NG
	62956	62956	62956	62956	FITTING, ORIFACE, LP

ERD36 Range Gas Tubing Assembly

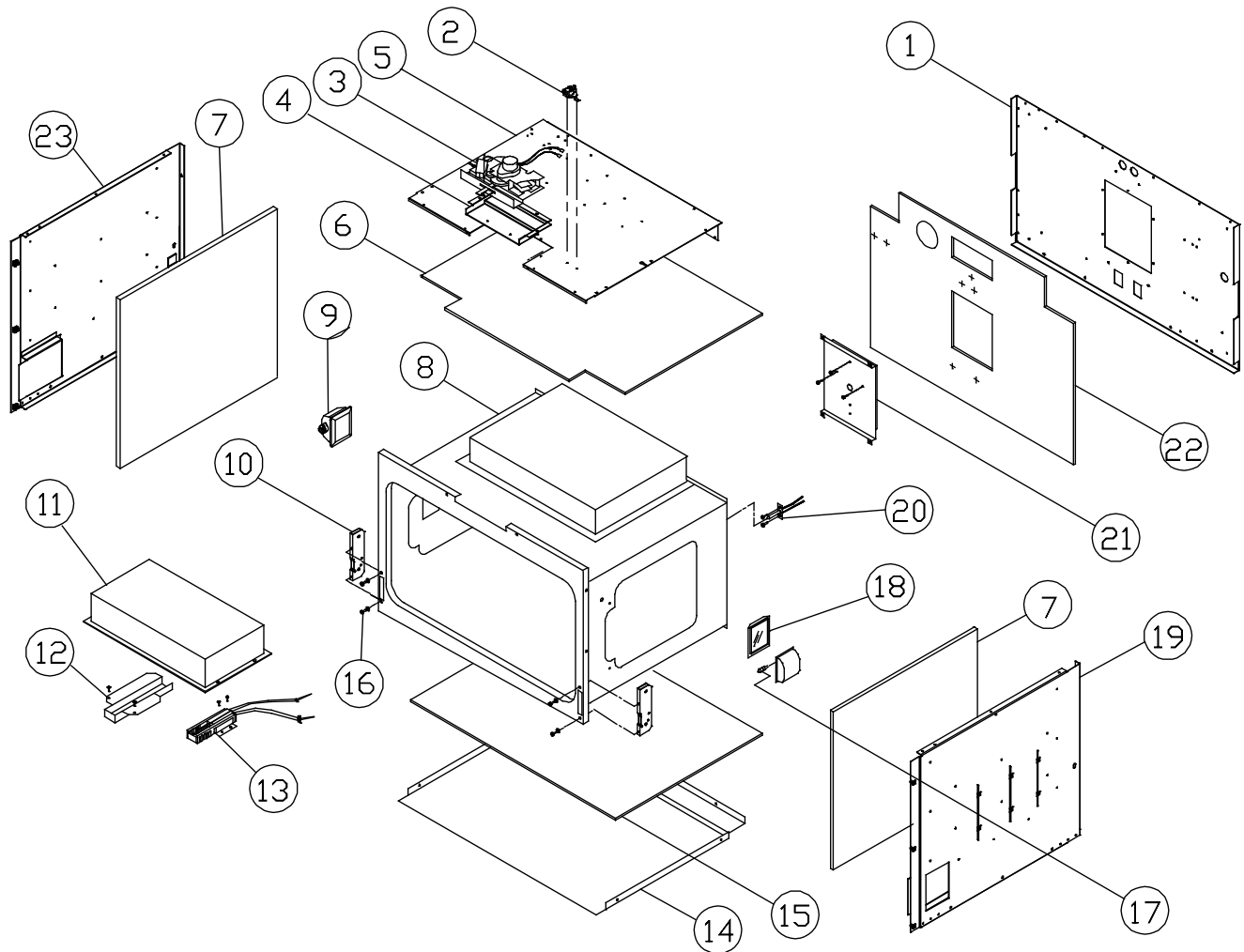


ERD36 Range Gas Tubing Parts

Item	NG Part #	LP Part #	NGH Part #	LPH Part #	Description
1	AERB3603	AERB3603	AERB3603	AERB3603	BACKGUARD 3 INCH
	AERB3609	AERB3609	AERB3609	AERB3609	BACKGUARD 9 INCH
	AERB3624	AERB3624	AERB3624	AERB3624	BACKGUARD 24 INCH
2	36130	36130	36130	36130	CHANNEL MTG TOP RR
3	82347	82347	82347	82347	COOLING FAN
4	26971	26971	26971	26971	BRACKET, COOLING FAN
5	36025	36025	36025	36025	REAR PANEL
6	36035	36035	36035	36035	SIDE SUPPORT, SPILL TRAY
7	26924	26924	26924	26924	SIDE SUPPORT, LEFT
8	62172 ¹	62172 ¹	62172 ¹	62172 ¹	WIRING HARNESS ¹
9	46072	46072	46072	46072	COVER, CHASSIS
10	46080	46080	46080	46080	SHIELD, MANIFOLD
11	27869	27869	27869	27869	CHASSIS
12	62850	62372	62856	62374	ASSY 5" TUBE #1
13	62851	62369	62857	62371	ASSY 5" TUBE #2
14	62852	62363	62858	62365	ASSY 5" TUBE #3
15	62853	62366	62859	62368	ASSY 5" TUBE #4
16	62854	62375	62860	62377	ASSY 5" TUBE #5
17	62855	62405	62861	62407	ASSY 5" TUBE #6
18	62325	62325	62325	62325	BURNER BASE W/TUBE
19	46076	46076	46076	46076	ACCESS PANEL
20	27510	27510	27510	27510	SIDE SUPPORT, RIGHT
21	82318	82318	82318	82318	SPARK MODULE
22	62817	62817	62817	62817	SPARK WIRING HARNESS
23	92028	92028	92028	92028	RELAY BOARD

¹Use part number 72007 on ranges revision N and later.

ERD36 Range Oven Cell Assembly

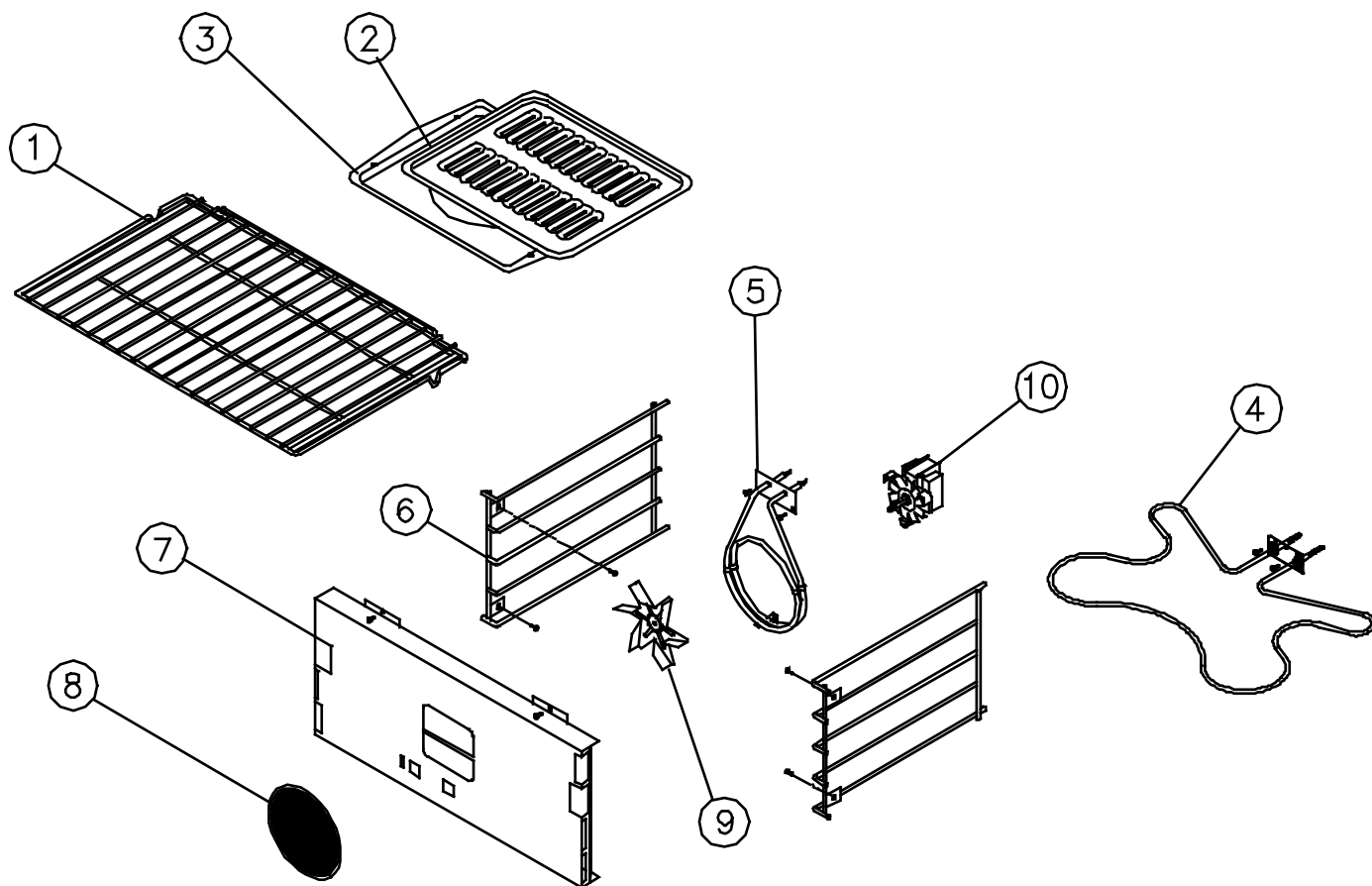


Item	Part #	Description
1	26882	CASE BACK
2	82987	HIGH LIMIT SWITCH
3	701582 ¹	DOOR LATCH MECHANISM
4	701582 ¹	LATCH PLATE
5	36188	CASE TOP
6	80030	INSULATION, TOP
7	80032	INSULATION, SIDE
8	27412BP	OVEN CELL ASSEMBLY
9	62175	HALOGEN LIGHT ASSEMBLY
10	62075	HINGE RECEPTACLE
11	62262	IR BROILER
12	66628	IGNITOR SHIELD, IR BROILER

Item	Part #	Description
13	82473	HOT SURFACE IGNITOR
14	26974	CASE BOTTOM
15	80040	INSULATION, BOTTOM
16	83420	SCREW, BTN HD, #10-32 x 1/2"
17	86573	HALOGEN BULB
18	86574	LIGHT SHIELD
19	27893	CASE SIDE - RIGHT
20	62593	TEMPERATURE SENSOR
21	36280	CONV MOTOR MTG PLATE
22	80029	INSULATION, REAR
23	27530	CASE SIDE - LEFT

¹Door latch kit includes latch and latch plate. Both must be replaced at the same time to ensure that they match up properly.

ERD36 Range Oven Components



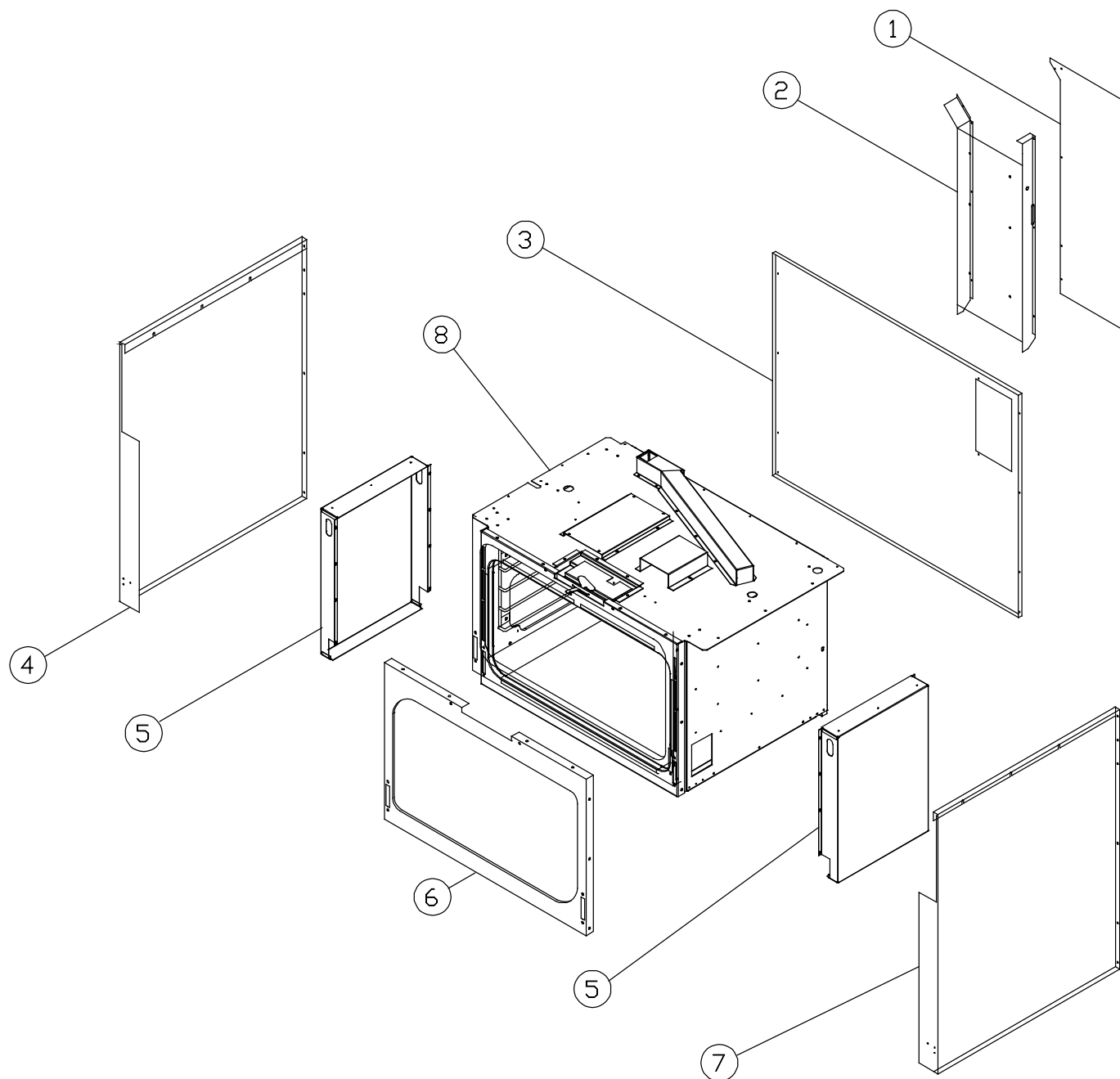
Item	Part #	Description
1	62783	OVEN RACK
2	82106	PLATED GRILL - BROILER PAN
3	82107	PORCELAIN PAN
4	62601	BAKE ELEMENT
5	82377	CONVECTION ELEMENT
6	62784 ¹	SUPPORT RACK ¹
7	36576BP ²	CONVECTION BAFFLE ²
8	82891	CONVECTION FILTER
9	82651	FAN BLADE
10	62101 ³	CONVECTION MOTOR ³
-	102137	NUT, CONVECTION FAN (not shown)
-	102136	WASHER, CONVECTION FAN (not shown)

¹Use part number 62972 for ranges revision G and later.

²Use part number 36818BP for ranges revision G and later. The new part number may be used on older range versions, but the rack supports must be changed to part number 62972.

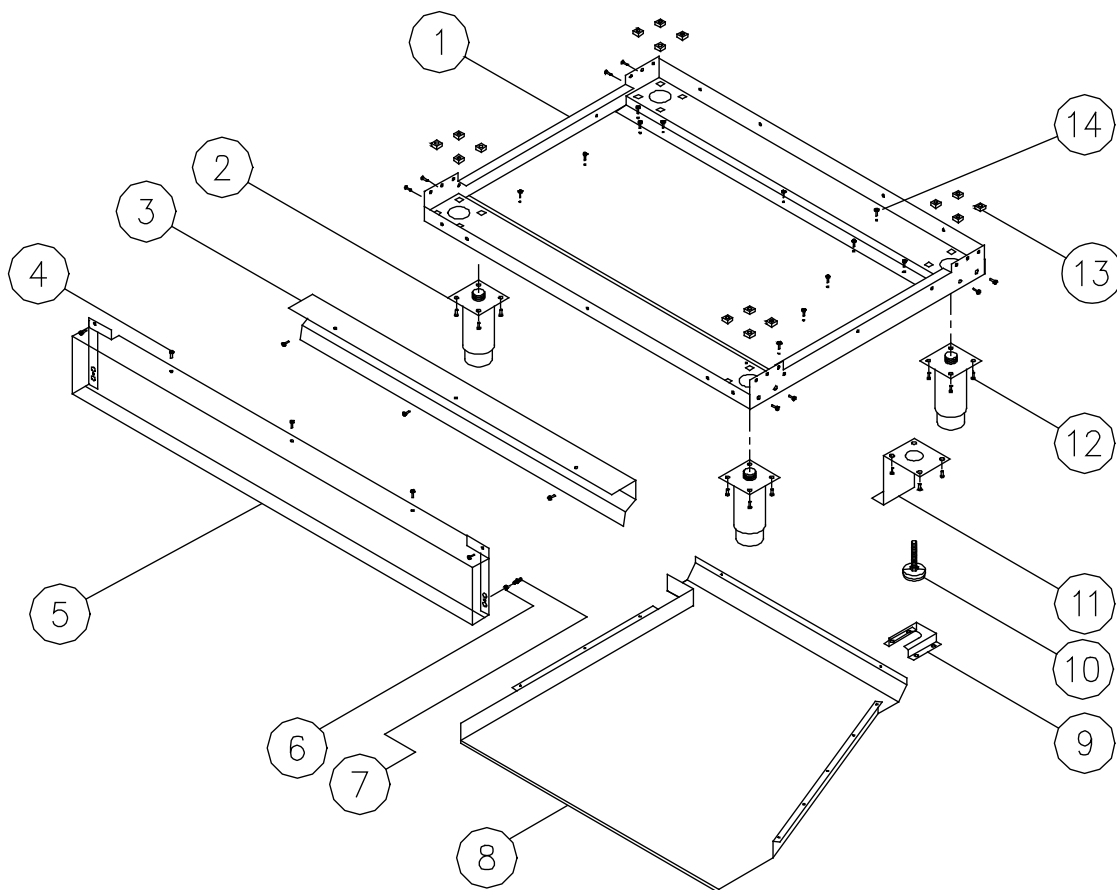
³Part number 62101 includes motor, fan blade, nut and washer.

ERD36 Range Oven Case Assembly



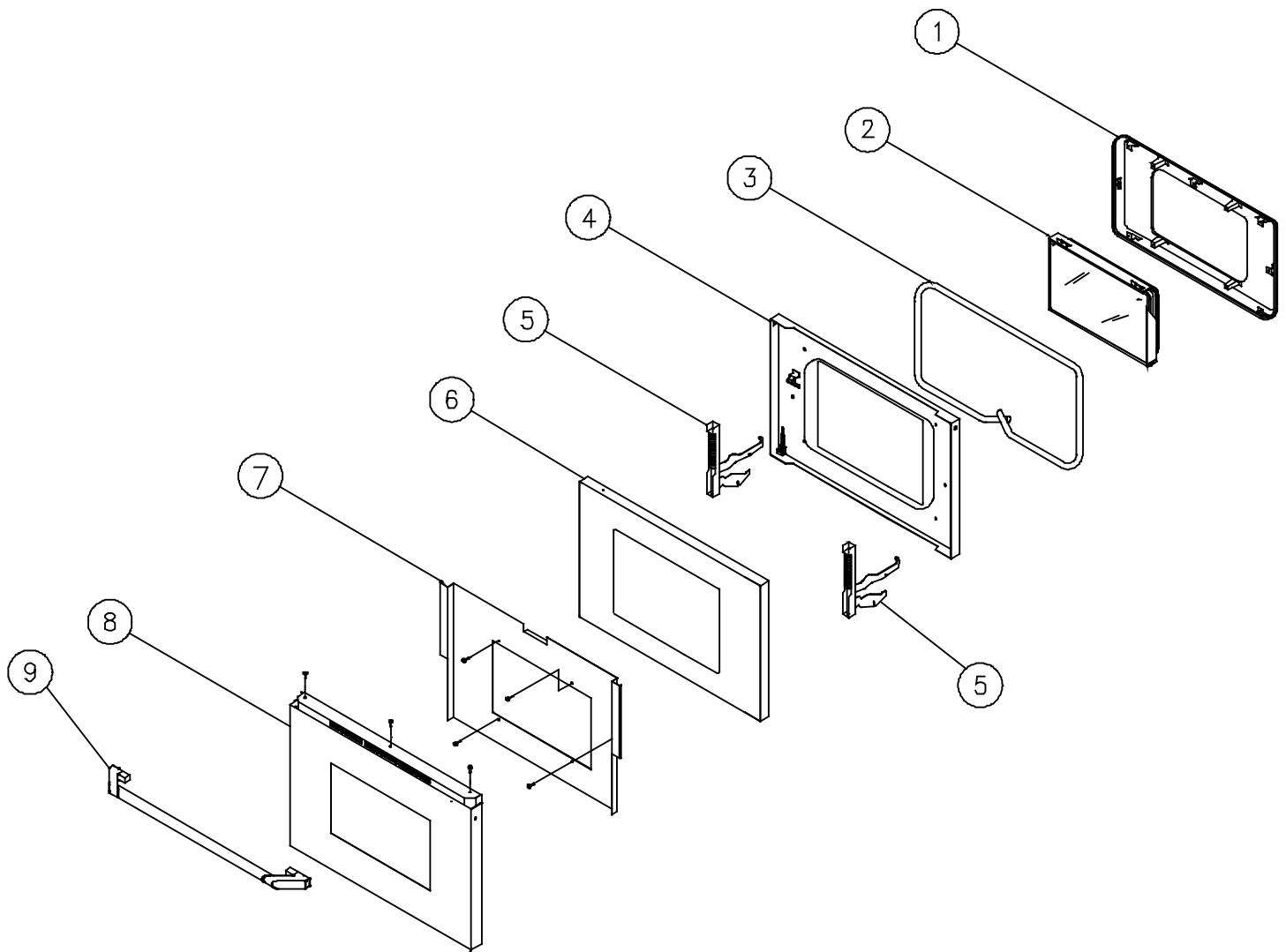
Item	Part #	Description
1	36020	COVER, EXHAUST DUCT
2	36493	BACK COVER TOP
3	36184	BACK COVER
4	36183	SIDE PANEL, LEFT
5	27554	RACEWAY
6	36086	FACE FRAME
7	36182	SIDE PANEL, RIGHT
8	Ref.	OVEN CASE

ERD36 Range Base Assembly



Item	Part #	Description
1	Ref	BASE ASSEMBLY
2	700000	LEG
3	36165	EXHAUST DEFLECTOR
4	83534	SCREW, WAFER HD #8 X 3/8"
5	36167	KICK PANEL
6	83308	6-32 KEPS NUT
7	83539	BALL STUD EXTENDED
8	36493	EXHAUST DUCT ASSEMBLY
9	26041	ANTI-TIP BRACKET
10	83034	LEVELER, ANTI TIP BRACKET
11	13326	ANTI-TIP BRACKET ASSEMBLY
12	83397	SCREW, CAP 1/4-20 x 5/8
13	83398	NUT, RETAINER 1/4-20
14	83023	SCREW, SLOT HWH, #10 X 3/8"
-	66813	PLASTIC LEG INSERT (not shown)

ERD36 Range Door Assembly



Item	Part #	Description
1	27349BP	INNER LINER ASSEMBLY
2	13140	WINDOW PACK
3	72046	DOOR GASKET
4	27352BP	OUTER LINER ASSEMBLY
5	62436	DOOR HINGE
6	80033	INSULATION
7	26908B	HEAT SHIELD
8	66995S/L	OUTER DOOR ASSEMBLY
9	13407Sxx	HANDLE ASSY (specify end cap color) ¹

¹Suffix represents color: BK = black, BR = brass, CH = chrome, CP = copper