



IMPORTANT FOR FUTURE REFERENCE

Please complete this information and retain this manual for the life of the equipment:

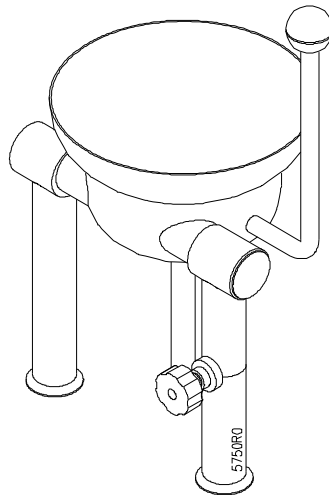
Model #: _____

Serial #: _____

Date Purchased: _____

PARTS LIST

Direct Steam Table Mount Steam Jacketed “OmghYf Ccc_Yf” TOC-1 TOC-2



WARNING

Improper installation, adjustment, alteration, service or maintenance can cause property damage, injury or death. Read the installation, operating and maintenance instructions thoroughly before installing or servicing this equipment.

CROWN FOOD SERVICE EQUIPMENT

Division of Middleby Canada Company Inc.

70 Oakdale Road, Downsview (Toronto) Ontario, Canada, M3N 1V9

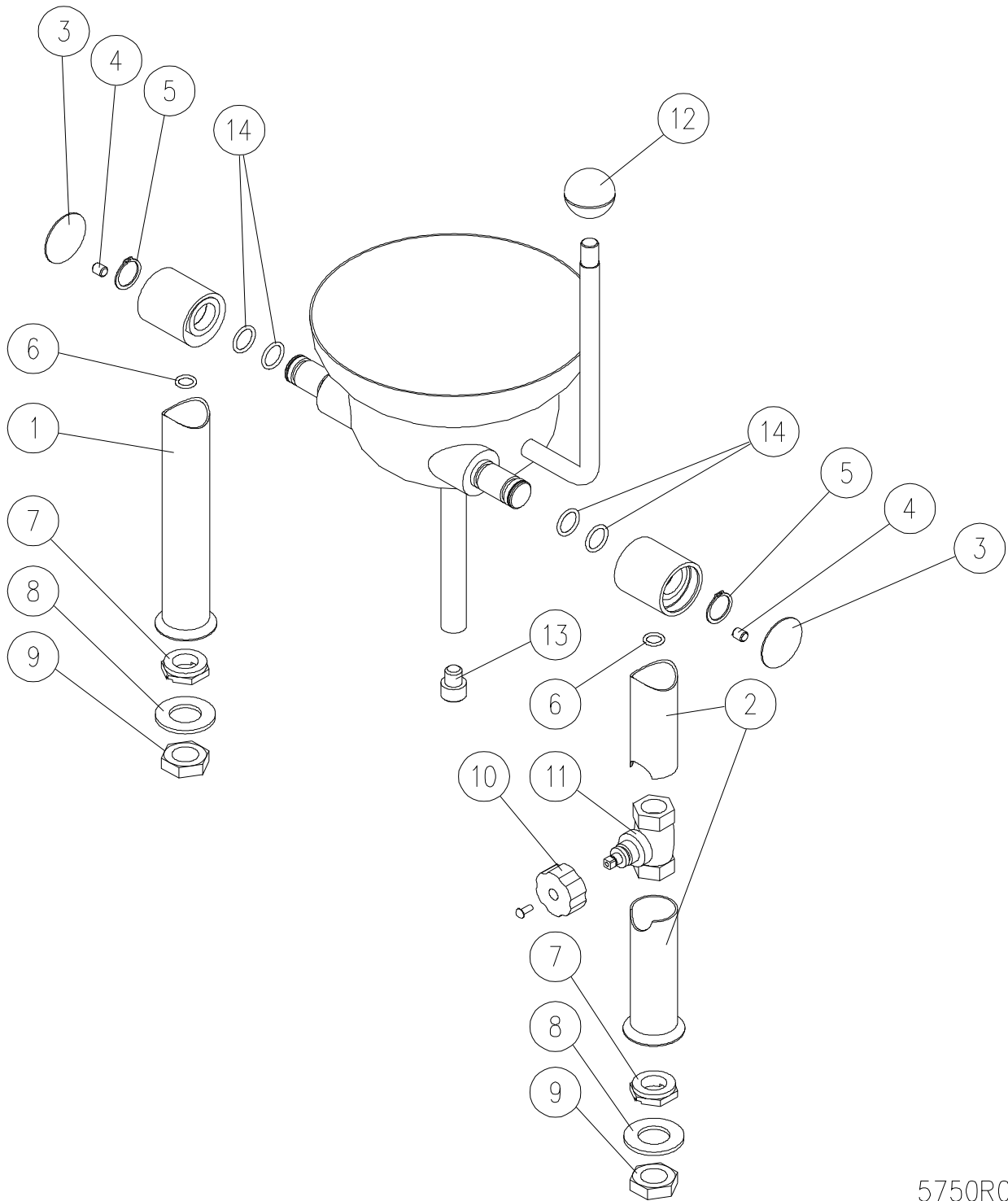
Telephone: 919-762-1000

www.crownsteamgroup.com

Printed in Canada



PARTS LIST, DIRECT STEAM KETTLES, MODELS TOC-1, TOC-2



5750R0

PARTS LIST, DIRECT STEAM KETTLES, MODELS TOC-1, TOC-2

| ITEM | PART NUMBER | DESCRIPTION | QUANTITY |
|------|-------------|--|----------|
| 1. | 3799-1 | Condensate Leg Assembly, (Includes 3 through 9). | 1 |
| 2. | 3800-1 | Steam In Leg Assembly, (Includes 3 through 11). | 1 |
| 3. | 3819-1 | Trunnion Cap | 2 |
| 4. | 1-62S3 | Set Screw, 5/16 - 18 x 3/8" | 2 |
| 5. | 2-3187 | Retaining Clip | 2 |
| 6. | 2-014R | "O" Ring | 2 |
| 7. | 3796-1 | Brass Nut, 1/2 - 14" | 2 |
| 8. | 2-W0C7 | Washer | 2 |
| 9. | 3-D034 | Nut, 1/2 - 14 NPS | 2 |
| 10. | 3-SC11K | Knob, Steam Control, Red | 1 |
| 11. | 3-SC11 | Valve, Steam Control | 1 |
| ** | 12. | 2-KB01 Knob, Red | 1 |
| | | 9147-1 Knob, Black | 1 |
| 13. | 3520-1 | Nylon Foot | 1 |
| 14. | 2-115R | "O" Ring | 4 |
| * | 15. | 9085-1 "O" Ring Lube, 2 grams | 1 |

* NOT SHOWN.

** SELECT AS REQUIRED.