



**IMPORTANT FOR FUTURE REFERENCE**

Please complete this information and retain this manual for the life of the equipment:

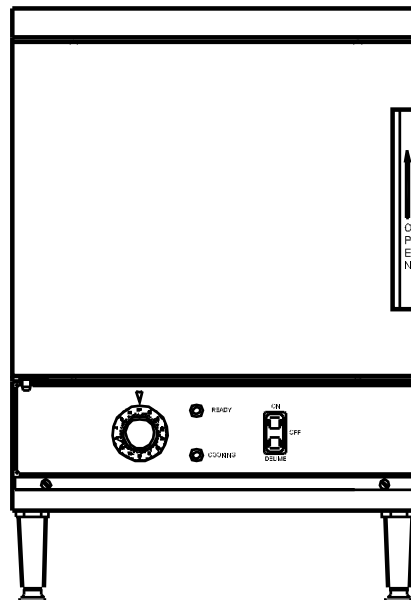
Model #: \_\_\_\_\_

Serial #: \_\_\_\_\_

Date Purchased: \_\_\_\_\_

# PARTS LIST


## Electric Counter Convection Steamer SXN-4



### WARNING

Improper installation, adjustment, alteration, service or maintenance can cause property damage, injury or death. Read the installation, operating and maintenance instructions thoroughly before installing or servicing this equipment.

### CROWN FOOD SERVICE EQUIPMENT

 A Middleby Company

70 Oakdale Road, Downsview (Toronto) Ontario, Canada, M3N 1V9

Telephone: 919-762-1000

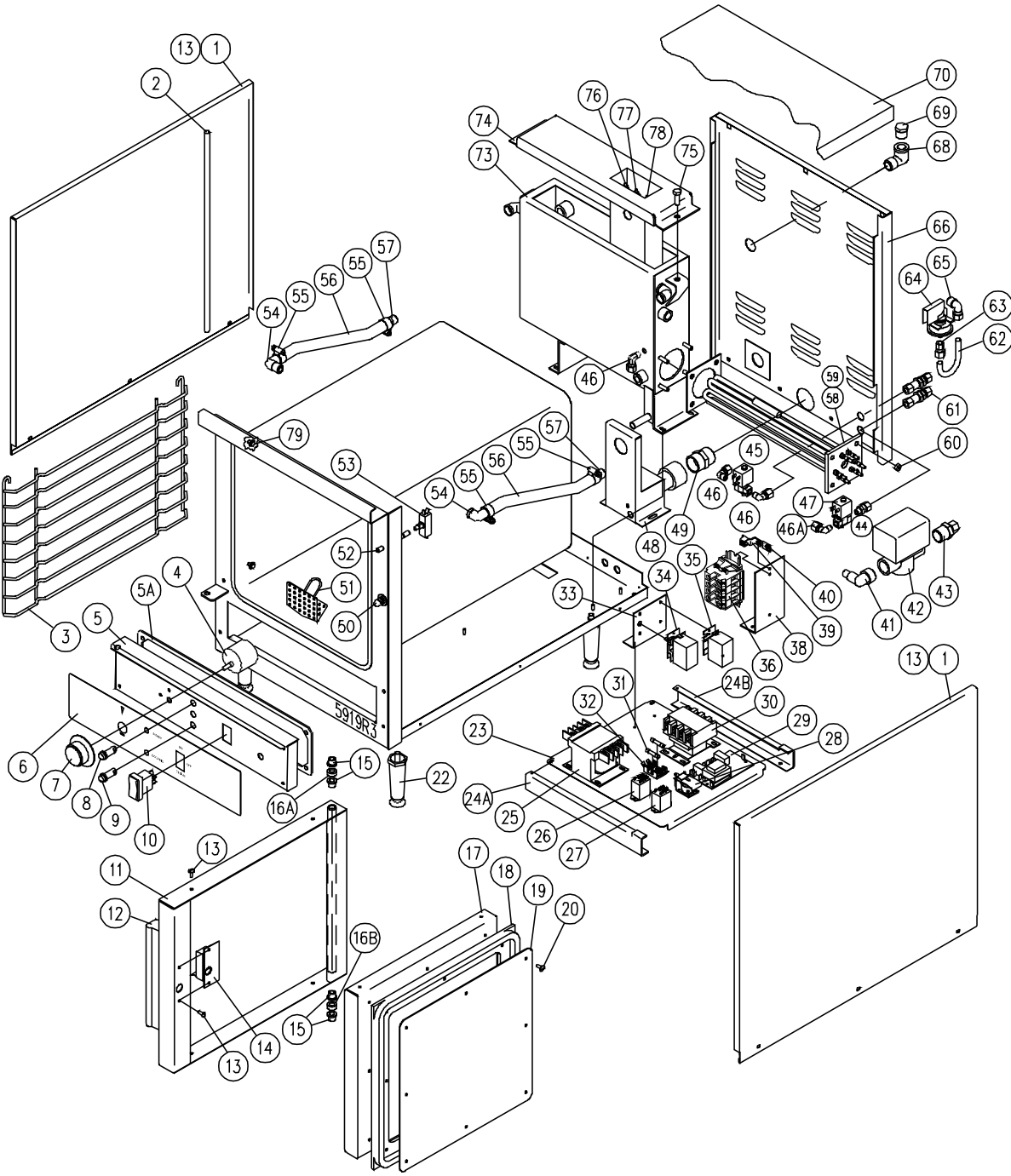
[www.crownsteamgroup.com](http://www.crownsteamgroup.com)

Printed in Canada



PARTS LIST, ELECTRIC COUNTER CONVECTION STEAMER, MODEL SXN-4

FIGURE 1



PARTS LIST, ELECTRIC COUNTER CONVECTION STEAMER, MODEL SXN-4

**FIGURE 1**

<u>ITEM</u>	<u>PART NO.</u>	<u>DESCRIPTION</u>	<u>QUANTITY</u>
1.	7964-1	Cover Side	2
2.	8-5077-7	Hinge Rod	1
3.	2681-2	Pan Rack	2
**	4. 4-T209-1	Timer 60 Minutes, 240V	1
	9386-2	Timer 120 Minutes, 240V, Optional	1
*	9109-1	Rotary Shaft Seal	1
5.	8183-1	Control Panel	1
5A.	5923-1	Front Panel Gasket	1
**	6. 7958-1	Control Panel Decal, Red	1
	7958-2	Control Panel Decal, Burgundy	1
**	7. 4103-1	Timer Dial, 60 Minutes, 50 Hz, Optional	1
	4104-1	Timer Dial, 60 Minutes, 60 Hz	1
	9387-1	Timer Dial, 120 Minutes, 60 Hz, Optional	1
8.	4-PL04-1	Pilot Light, Green, 250V	1
9.	4-PL07-1	Pilot Light, Red, 250V	1
10.	9124-1	Power Switch	1
11A.	8-5076-7	Door Assembly	1
11.	2837-1	Outer Door Shell	1
12.	3903-2	Door Handle Assembly	1
*	3646-1	Decal	1
*	4090-2	Door Handle	1
*	4089-2	Door Handle Plate	1
*	M68S-1420-134	Socket Set Screw, 1/4 - 20 UNC x 1-3/4	2
*	M68S-1420-34	Socket Set Screw, 1/4 - 20 UNC x 3/4	1
*	4088-1	Spacer	2

PARTS LIST, ELECTRIC COUNTER CONVECTION STEAMER, MODEL SXN-4

<u>ITEM</u>	<u>PART NO.</u>	<u>DESCRIPTION</u>	<u>QUANTITY</u>	
*	S01S-14	Split Lockwasher, 1/4	2	
*	9030-1	Hex Nut, 1/4 - 20 UNC	2	
13.	M33S-1032-12	Truss Hd. Screw 10-32 UNF x 1/2	12	
14.	8-5068-9	Latch Assembly	1	
15.	8-5078	Door Bushing	4	
16A.	5716-1	Spacer, Upper	1	
16B.	5717-1	Spacer, Lower	1	
17.	8-5065-7	Door Panel	1	
18.	8-5063-7	Door Gasket	1	
19.	8-5064-7	Gasket Retainer	1	
20.	9423-1	Special Screw	8	
*	21.	3502-1	Steam Diverter	2
	22.	5-FS66	Adjustable Leg	4
	23.	7961-1	Component Mounting Board	1
	24A.	7962-1	Rail Bracket, Front	1
	24B.	7962-2	Rail Bracket, Rear	1
* **	25.	4-T251	Transformer, 380/220V, 50/60 Hz, 100VA	1
		4-T251	Transformer, 415/240V, 50/60 Hz, 100VA	1
		4-T255	Transformer, 480/240V, 60 Hz, 100VA	1
	26.	9332-2	Relay, DPDT, 240V	1
	27.	9332-2	Relay, DPDT, 240V (Single Pole in Use)	1
	28.	4742-1	Buzzer, 240V	1
**	29.	4038-3	Level Control Board, 10K, OHM	1
		5230-2	Level Control Board, 1M, OHM	2
**	30.	4-CG42-1	Contactator, 4 Pole, (208 - 240V)	1
		9348-208	Contactator, 3 Pole, (380-480V)	1

PARTS LIST, ELECTRIC COUNTER CONVECTION STEAMER, MODEL SXN-4

<u>ITEM</u>	<u>PART NO.</u>	<u>DESCRIPTION</u>	<u>QUANTITY</u>
** 31.	9092-2	Fuse, 2 Amp, 250V (208, 240V)	2
	9092-2	Fuse, 2 Amp, 250V (380/220, 415V/240V)	1
	9001-2	Fuse, 600V, 1/2 Amp (380-480V)	2
** 32.	9068-1	Fuse Holder (208-240V)	2
	9068-1	Fuse Holder (380/220, 415/240V)	1
	9002-1	Fuse Holder (380-480V)	2
33.	5916-1	Thermostat Bracket	1
34.	9126-1	Thermostat, Operating	1
35.	9128-1	Thermostat, High Limit	1
** 36.	6161-3	MODULAR TERMINAL ASSEMBLY, 3 Pole (380-480V) Includes the following parts:	1
	9374-1	Modular Terminal, Grey	3
	9375-1	End Plate	1
	9369-1	End Clamp	2
	9368-079	Mounting Rail, 79 mm	1
	6161-4	MODULAR TERMINAL ASSEMBLY, 4 Pole, Terminal Block, (208-240V)	1
	9374-1	Modular Terminal, Grey	4
	9375-1	End Plate	1
	9369-1	End Clamp	2
	9368-098	Mounting Rail, 98 mm	1
	6161-4N	MODULAR TERMINAL ASSEMBLY, 3 Pole with Neutral, (380/220, 415/240, Includes the following parts:	1
	9374-1	Modular Terminal, Grey	3
	9374-2	Modular Terminal, Blue	1
	9375-1	End Plate	1

PARTS LIST, ELECTRIC COUNTER CONVECTION STEAMER, MODEL SXN-4

<u>ITEM</u>	<u>PART NO.</u>	<u>DESCRIPTION</u>	<u>QUANTITY</u>
	9369-1	End Clamp	2
	9368-098	Mounting Rail, 98 mm	1
37.	4195-3	Label, Delime (Rear of Unit)	1
38.	5917-1	Terminal Block Bracket	1
39.	4-70EU	Ground Lug	1
40.	4188-1	Earth I.D. Tag	1
41.	3-698E	Elbow, Brass, 1/2 C x 3/4 MPT	1
42.	3-S543-1	Solenoid Valve, Blowdown, 240V	1
43.	3-688E	Connector, Brass, 1/2 C x 3/4 MPT	1
44.	3-686A	Connector, Brass, 3/8 C x 1/8 MPT	1
45.	5162-2	Solenoid Valve, Fill, 240V	1
46.	3-696A	Elbow, Brass, 3/8 C x 1/8 MPT	3
46A.	3-694A	Elbow, Brass, 1/4C x 1/8 MPT	1
47.	5162-2	Solenoid Valve, Cooling, 240V	1
48.	7965-1	Drain Box (Not Serviceable)	1
49.	4771-1	Adapter, 1 M x 1 M	1
50.	8-5021	Striker Pin	1
*	8-5022	Front Washer	1
*	S01X-12	Split Lockwasher, 1/2	1
*	1-99S0	Hex Nut, 1/2-20 UNF, Stainless Steel.	1
51.	5224-2	Compartment Strainer	1
52.	9-3336	Actuator c/w Retaining Rings	1
53.	9-3213	Door Switch	1
54.	3-116CB	Forged Str. Elbow, 90°, Brass, 3/8 FPT x 1/4 MPT	2
*	9053-7	Hose Coupler, Brass, 5/8 x 3/8 MPT	2

PARTS LIST, ELECTRIC COUNTER CONVECTION STEAMER, MODEL SXN-4

<u>ITEM</u>	<u>PART NO.</u>	<u>DESCRIPTION</u>	<u>QUANTITY</u>
55.	9017-2	Gear Clamp, 3/8" - 7/8"	4
56.	9219-114	Blue Silicone Hose, R.H., 5/8 I.D. x 11-1/2	1
	9219-114	Blue Silicone Hose, L.H., 5/8 I.D. x 11-1/2	1
57.	3-1258C	Hose Barb, Brass 1/2 x 3/8 MPT	2
**	7972-1008	Element Assembly, 10 kW, 208V	1
	7972-1020	Element Assembly, 10 kW, 380/220V	1
	7972-1040	Element Assembly, 10 kW, 415/240V	1
	7972-1077	Element Assembly, 10 kW, 480V (277)	1
59.	5869-1	Element Gasket	1
60.	9030-1	Hex Nut, 1/4 - 20 UNC	4
61.	3-776	Bulkhead Union, Brass, 3/8 C	2
62.	5918-1	Pressure Switch Tube, 3/8	1
63.	3-666A	Connector, Brass, 3/8 C x 1/8 FPT	1
64.	5445-1	Pressure Switch, Safety	1
65.	3-696C	Elbow 90°, Brass, 3/8 C x 3/8 MPT	1
66.	7960-1	Back Panel	1
*	4204-56	Load Wire Harness	1
68.	3-116D	Forged Street Elbow 90°, Brass 1/2 NPT	1
69.	3-121D	Hex Hd. Plug, Brass, 1/2 NPT	1
70.	7963-1	Top Cover	1
*	M23S-1420-12	Binding HD Screw, 1/4-20 UNC x 1/2	3
*	9705-39-070	Tube, Condenser In, 3/8 x 7 Lg.	1
*	9705-39-055	Tube, Generator In, 3/8 x 5-5/8 Lg.	1
73.	7968-1	Generator Tank	1
74.	7971-1	Tank Cover	1

PARTS LIST, ELECTRIC COUNTER CONVECTION STEAMER, MODEL SXN-4

<u>ITEM</u>	<u>PART NO.</u>	<u>DESCRIPTION</u>	<u>QUANTITY</u>	
*	5920-1	Tank Gasket	1	
75.	M50S-51618-1	Hex Hd. Bolt 5/16 - 18 UNC x 1 Lg.	2	
76.	3738-3	Probe, Low Level Cut Off, 5 Lg.	1	
77.	3738-2	Probe, Low Level 4.25 Lg.	1	
78.	4-LLP2	Probe, High Level, 3-11/16 Lg.	1	
79.	4721-1	Hanger Pin Assembly	6	
*	80.	9084-1	Nut Cage, 1/4 - 20 UNC	3
*	81.	6315-2	Tube, Valve to Generator	1

\* NOT SHOWN.

\*\* SELECT AS REQUIRED.