



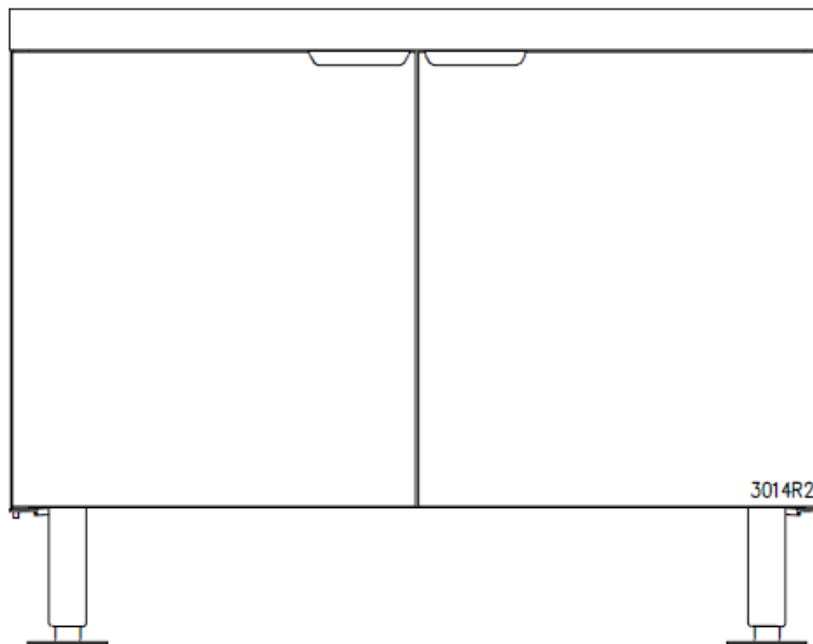
IMPORTANT FOR FUTURE REFERENCE
Please complete this information and retain this manual for the life of the equipment:

Model #: _____
Serial #: _____
Date Purchased: _____

PARTS LIST

Steam Coil Generator in Cabinet Base


CSC-24 CSC-36



 **WARNING**

Improper installation, adjustment, alteration, service or maintenance can cause property damage, injury or death. Read the installation, operating and maintenance instructions thoroughly before installing or servicing this equipment.

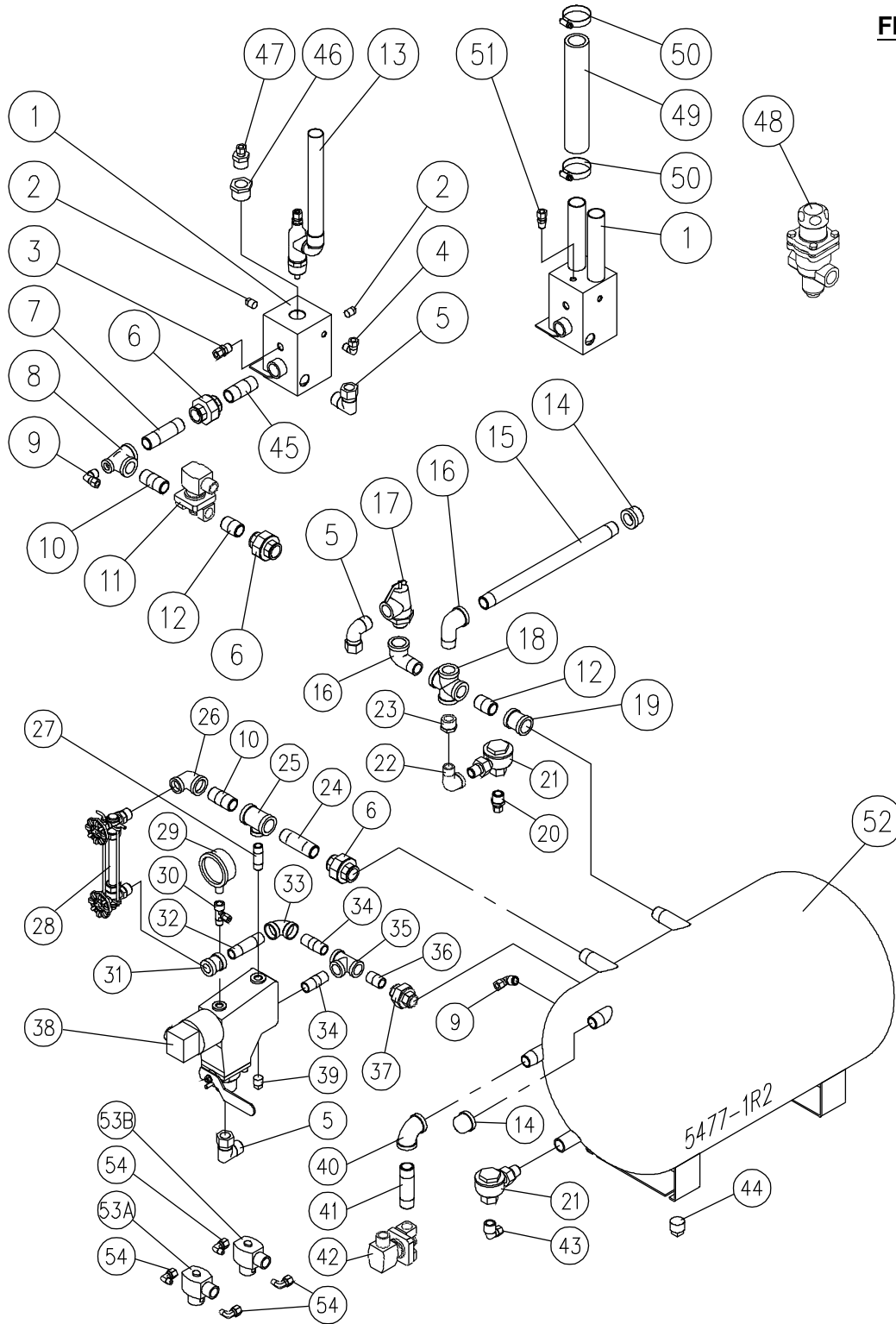
CROWN FOOD SERVICE EQUIPMENT

 A Middleby Company
70 Oakdale Road, Downsview (Toronto) Ontario, Canada, M3N 1V9
Telephone: 919-762-1000 www.crownsteamgroup.com
Printed in Canada



PARTS LIST, STEAM COIL GENERATORS, MODELS CSC-24, CSC-36

FIGURE 1



PARTS LIST, STEAM COIL GENERATORS, MODELS CSC-24, CSC-36

FIGURE 1

| <u>ITEM</u> | <u>PART NO.</u> | <u>DESCRIPTION</u> | <u>QUANTITY</u> |
|-------------|---------------------|-----------------------------------|-----------------|
| ** 1 | 6474-1 | Appliance Drain (Pressureless) | 1 |
| | 6475-1 | Appliance Drain (Pressure) | 1 |
| 2 | 9035-2 | Square Pipe Plug, 1/4" | 2 |
| 3 | 3-686C | Connector, 3/8C x 3/8" NPT | 1 |
| 4 | 3-696B | Elbow, 3/8C x 1/4" NPT | 1 |
| 5 | 3-6912E | Elbow, 3/4C x 3/4" NPT | 3 |
| 6 | 9015-4 | Union, 3/4" 150# | 2 |
| 7 | 9010-034 | Nipple, 3/4 x 3-1/2" | 1 |
| 8 | 9013-8 | Tee, 3/4 x 3/8 x 3/4 150# | 1 |
| 9 | 3-696C | Elbow, 3/8C x 3/8 NPT | 2 |
| 10 | 9090-020 | Nipple, 3/4 x 2" Brass | 2 |
| ** 11 | 3-S567 | Blowdown Valve | 1 |
| * | 3-BVEO | Ball Valve, 3/4" | 1 |
| 12 | 9090-000 | Close Nipple, 3/4" Brass | 2 |
| ** 13 | 8-1255 | Exhaust Drain Assembly (Pressure) | 1 |
| 14 | 9067-2 | Pipe Cap, 3/4" | 2 |
| 15 | 9090-134 | Pipe, 3/4 x 13-1/2" Brass | 1 |
| 16 | 9012-4 | St. Elbow, 3/4" 150# | 2 |
| 17 | 3529-3 | Relief Valve, 15 PSI | 1 |
| 18 | 9089-1 | Cross, 3/4" 150# | 1 |
| 19 | 9042-4 | Coupling, 3/4" 150# | 1 |
| 20 | 3-686D | Connector, 3/8C x 1/2 NPT | 1 |
| 21 | 9170-1 | Steam Trap, 1/2" | 2 |

PARTS LIST, STEAM COIL GENERATORS, MODELS CSC-24, CSC-36

| <u>ITEM</u> | <u>PART NO.</u> | <u>DESCRIPTION</u> | <u>QUANTITY</u> |
|-------------|-----------------|----------------------------------|-----------------|
| 22 | 9012-3 | St. Elbow, 1/2" 150# | 1 |
| 23 | 9033-2 | Reducer Bushing, 3/4 x 1/2" 150# | 1 |
| 24 | 9090-030 | Nipple, 3/4 x 3" Brass | 1 |
| 25 | 9013-6 | Tee, 3/4 x 3/4 x 3/8 150# | 1 |
| 26 | 9014-1 | Reducing Elbow, 1/2 x 3/4 150# | 1 |
| 27 | 9091-020 | Nipple, 3/8 x 2" Brass | 1 |
| 28 | 5395-1 | Water Gauge Valves Set | 1 |
| * | 9108-2 | Water Gauge Glass - 4-3/4" | 1 |
| * | 8-6016 | Rods | 2 |
| * | 8-6018 | Rubber Washers | 2 |
| * | 8-6019 | Brass Washers | 2 |
| 29 | 3-PG30 | Pressure Gauge, 30 PSI | 1 |
| 30 | 3-764B | Tee, 1/4C x 1/4 M&FNPT Ends | 1 |
| 31 | 9042-3 | Coupling, 1/2" 150# | 1 |
| 32 | 9072-030 | Nipple, 1/2 x 3" Brass | 1 |
| 33 | 9011-3 | Elbow, 1/2 150# | 1 |
| 34 | 9072-020 | Nipple, 1/2 x 2" Brass | 2 |
| 35 | 9013-3 | Tee, 1/2" 150# | 1 |
| 36 | 9072-000 | Close Nipple, 1/2" Brass | 1 |
| 37 | 9015-3 | Union, 1/2" 150# | 1 |
| 38 | 4-WC67 | Water Level Control | 1 |
| * | 8-6023 | Float | 1 |
| * | 8-6022 | Switch | 1 |
| * | 8-6020 | Round Gasket | 1 |

PARTS LIST, STEAM COIL GENERATORS, MODELS CSC-24, CSC-36

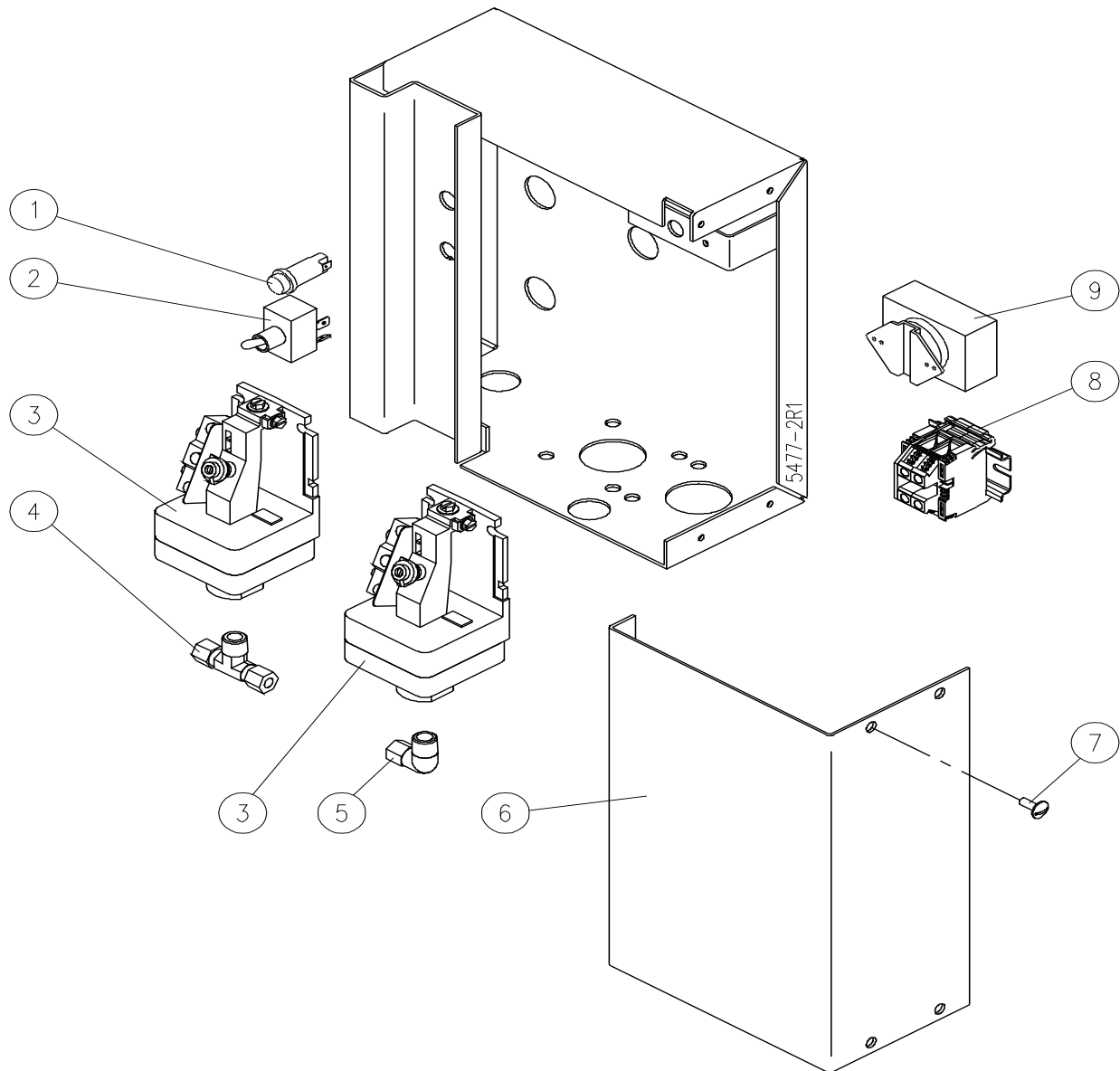
| <u>ITEM</u> | <u>PART NO.</u> | <u>DESCRIPTION</u> | <u>QUANTITY</u> | |
|-------------|-----------------|-----------------------------|--|---|
| * | 8-6021 | Square Gasket | 1 | |
| * | 8-6026 | Blowdown Valve | 1 | |
| 39 | 9035-3 | Square Head Pipe Plug, 3/8" | 1 | |
| 40 | 9011-4 | Elbow, 3/4" 150# | 1 | |
| 41 | 9090-034 | Nipple, 3/4 x 3-1/2" Brass | 1 | |
| 42 | 9272-1 | Steam In Solenoid, 3/4" | 1 | |
| 43 | 3-696D | Elbow, 3/8C x 1/2 NPT | 1 | |
| 44 | 9035-5 | Drain Plug, 3/4" NPT | 1 | |
| 45 | 9010-024 | Nipple, 3/4 x 2-1/2" | 1 | |
| ** | 46 | 9033-1 | Reducer Bushing, 1 x 3/4" | 1 |
| ** | 47 | 3-686C | Connector, 3/8C x 3/8 NPT | 1 |
| | 48 | 9361-1 | Pressure Regulator, 2 - 25 PSI | 1 |
| ** | 49 | 9-3296 | Drain Hose (10"), Pressureless Cookers | 2 |
| | | 9-3296-1 | Drain Hose (20"), Pressureless Cookers | 2 |
| | | 9-3296-2 | Drain Hose (15"), Pressureless Cookers | 2 |
| ** | 50 | 9017-5 | Gear Clamp | 4 |
| | 51 | 3-686B | Connector, 3/8C x 1/4 NPT | 1 |
| | 52 | 8-1256-1 | Heat Exchanger | 1 |
| | 53A | 9308-1 | Water Supply Solenoid | 1 |
| | 53B | 9310-1 | Cooling Solenoid | 1 |
| | 54 | 3-696A | Elbow, 3/8C x 1/8 NPT | 4 |

* NOT SHOWN.

** SELECT AS REQUIRED.

PARTS LIST, STEAM COIL GENERATORS, MODELS CSC-24, CSC-36

FIGURE 2



PARTS LIST, STEAM COIL GENERATORS, MODELS CSC-24, CSC-36

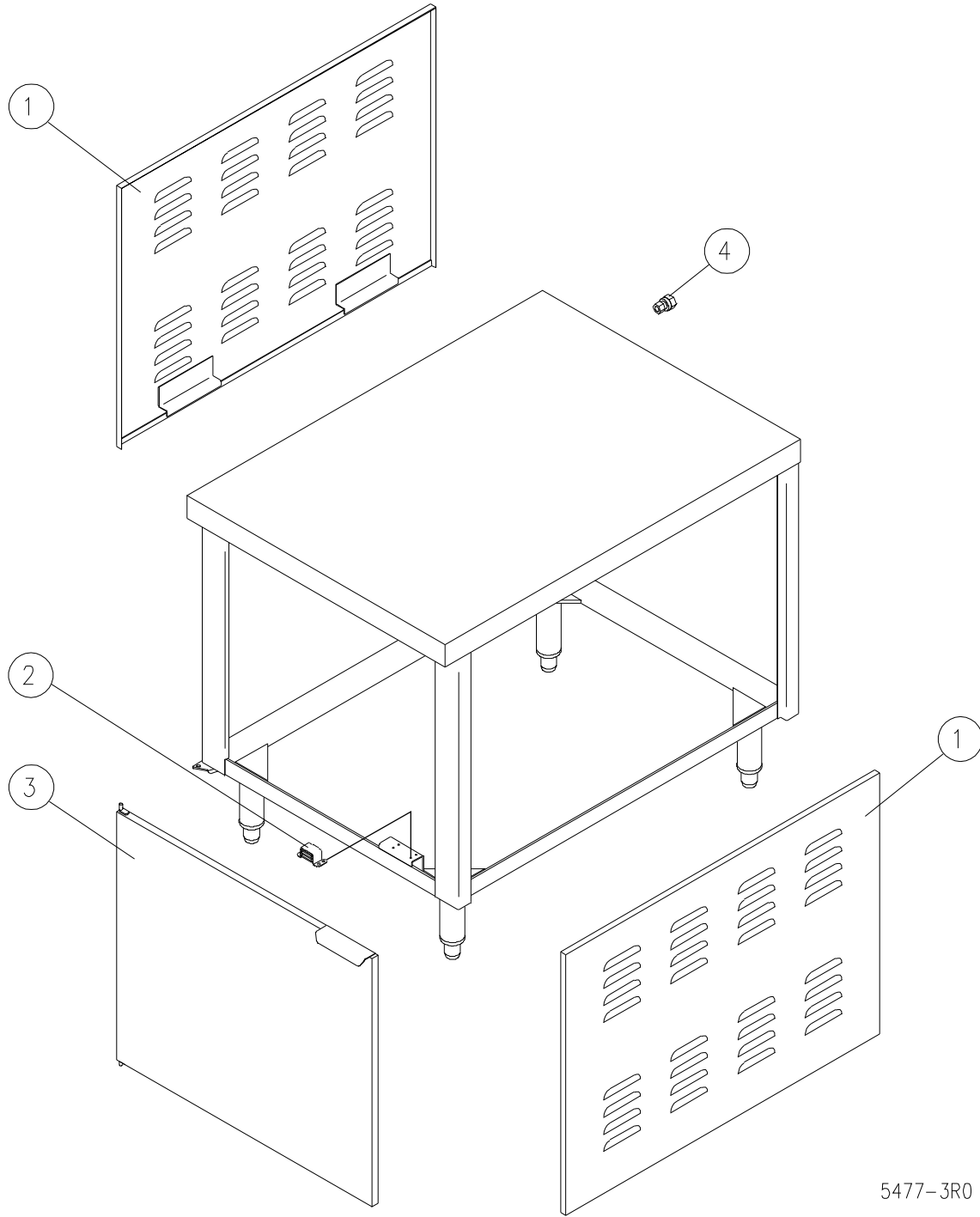
FIGURE 2

CONTROL BOX

| <u>ITEM</u> | <u>PART NUMBER</u> | <u>DESCRIPTION</u> | <u>QUANTITY</u> |
|--------------------|---------------------------|--|------------------------|
| 1 | 4-PL04 | Pilot Light - Green | 1 |
| 2 | 9110-1 | ON/OFF Switch | 1 |
| 3 | 9339-1 | Pressure Switch complete with Transducer | 2 |
| 4 | 3-724B | Tee, 1/4C x 1/4 MPT | 1 |
| 5 | 3-696B | Elbow, 3/8C x 1/4 MPT | 1 |
| 6 | 6573-1 | Control Box Cover | 1 |
| 7 | M19C1032-14 | Screw, 10-32 x 1/4 | 4 |
| 8 | 9390-2 | Terminal Block | |
| | | Modular Terminal Assembly, 2 Poles | 1 |
| | | Includes the following parts: | |
| | 9391-1 | Modular Terminal | 2 |
| | 9392-1 | End Plate | 1 |
| | 9393-1 | End Clamp | 2 |
| | 9394-053 | Mounting Rail, 53 mm | 1 |
| 9 | 4-TH04 | Condensate Thermostat | 1 |

PARTS LIST, STEAM COIL GENERATORS, MODELS CSC-24, CSC-36

FIGURE 3



5477-3R0

PARTS LIST, STEAM COIL GENERATORS, MODELS CSC-24, CSC-36

FIGURE 3

CABINET 28" HEIGHT

| <u>ITEM</u> | <u>PART NUMBER</u> | <u>DESCRIPTION</u> | <u>WIDTH</u> | | |
|-------------|--------------------|--------------------|--------------|------------|------------|
| | | | <u>24"</u> | <u>36"</u> | <u>48"</u> |
| 1 | 3563-1 | Side Panel | 2 | 2 | 2 |
| 2 | 5-MC02 | Magnet Catch | 1 | 2 | 2 |
| | M93X-632-14 | Catch Screw | 4 | 8 | 8 |
| 3 | 3373-1 | Cabinet Door | 1 | | |
| * | 3204-1 | Right Hand Door | | 1 | |
| * | 3209-1 | Left Hand Door | | 1 | |
| * | 9-3368-1 | Right Hand Door | | | 1 |
| * | 3373-1 | Left Hand Door | | | 1 |
| 4 | 3-666D | Water Connection | 1 | 1 | 1 |

* NOT SHOWN.

PARTS LIST, STEAM COIL GENERATORS, MODELS CSC-24, CSC-36

FIGURE 3

CABINET 32" HEIGHT

WIDTH

| <u>ITEM</u> | <u>PART NUMBER</u> | <u>DESCRIPTION</u> | <u>24"</u> | <u>36"</u> | <u>42"</u> | <u>44"</u> | <u>48"</u> | <u>60"</u> |
|-------------|--------------------|--------------------|------------|------------|------------|------------|------------|------------|
| 1 | 8-1305-1 | Side Panel | 2 | 2 | 2 | 2 | 2 | 2 |
| 2 | 5-MC02 | Magnetic Catch | 1 | 2 | 2 | 2 | 2 | 3 |
| | M93X-632-14 | Catch Screws | 4 | 8 | 8 | 8 | 8 | 12 |
| 3 | 8-1932-1 | Door | 1 | | | | | |
| * | 8-1303-1 | Right Hand Door | | 1 | | | | |
| * | 8-1304-1 | Left Hand Door | | 1 | | | | |
| * | 9-3368-6 | Right Hand Door | | | 1 | | | |
| * | 9-3369-5 | Left Hand Door | | | 1 | | | |
| * | 9-3368 | Right Hand Door | | | | 1 | | |
| * | 9-3369 | Left Hand Door | | | | 1 | | |
| * | 9-3368-5 | Right Hand Door | | | | | 1 | |
| * | 9-3369-4 | Left Hand Door | | | | | 1 | |
| * | 9-3368-3 | Right Hand Door | | | | | | 1 |
| * | 9-3369-3 | Left Hand Door | | | | | | 1 |
| * | 9-3368-4 | Centre Door | | | | | | 1 |
| 4 | 3-666D | Water Connection | 1 | 1 | 1 | 1 | 1 | 1 |

* NOT SHOWN.