



**IMPORTANT FOR FUTURE REFERENCE**

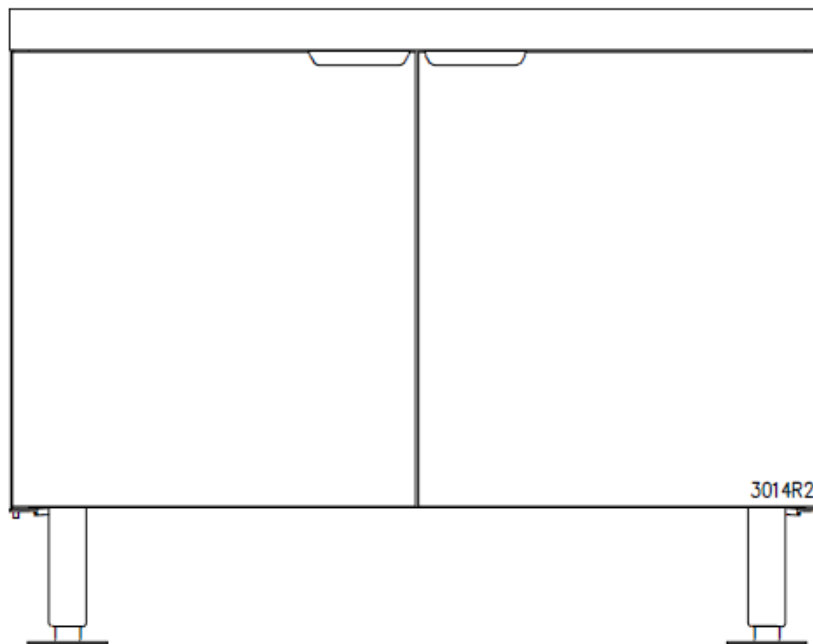
Please complete this information and retain this manual for the life of the equipment:

Model #: \_\_\_\_\_

Serial #: \_\_\_\_\_

Date Purchased: \_\_\_\_\_

**PARTS LIST**  
**Steam Coil Generator in Cabinet Base**  
**CSC-24 CSC-36**



**WARNING**

Improper installation, adjustment, alteration, service or maintenance can cause property damage, injury or death. Read the installation, operating and maintenance instructions thoroughly before installing or servicing this equipment.

**CROWN FOOD SERVICE EQUIPMENT**

 A Middleby Company

70 Oakdale Road, Downsview (Toronto) Ontario, Canada, M3N 1V9

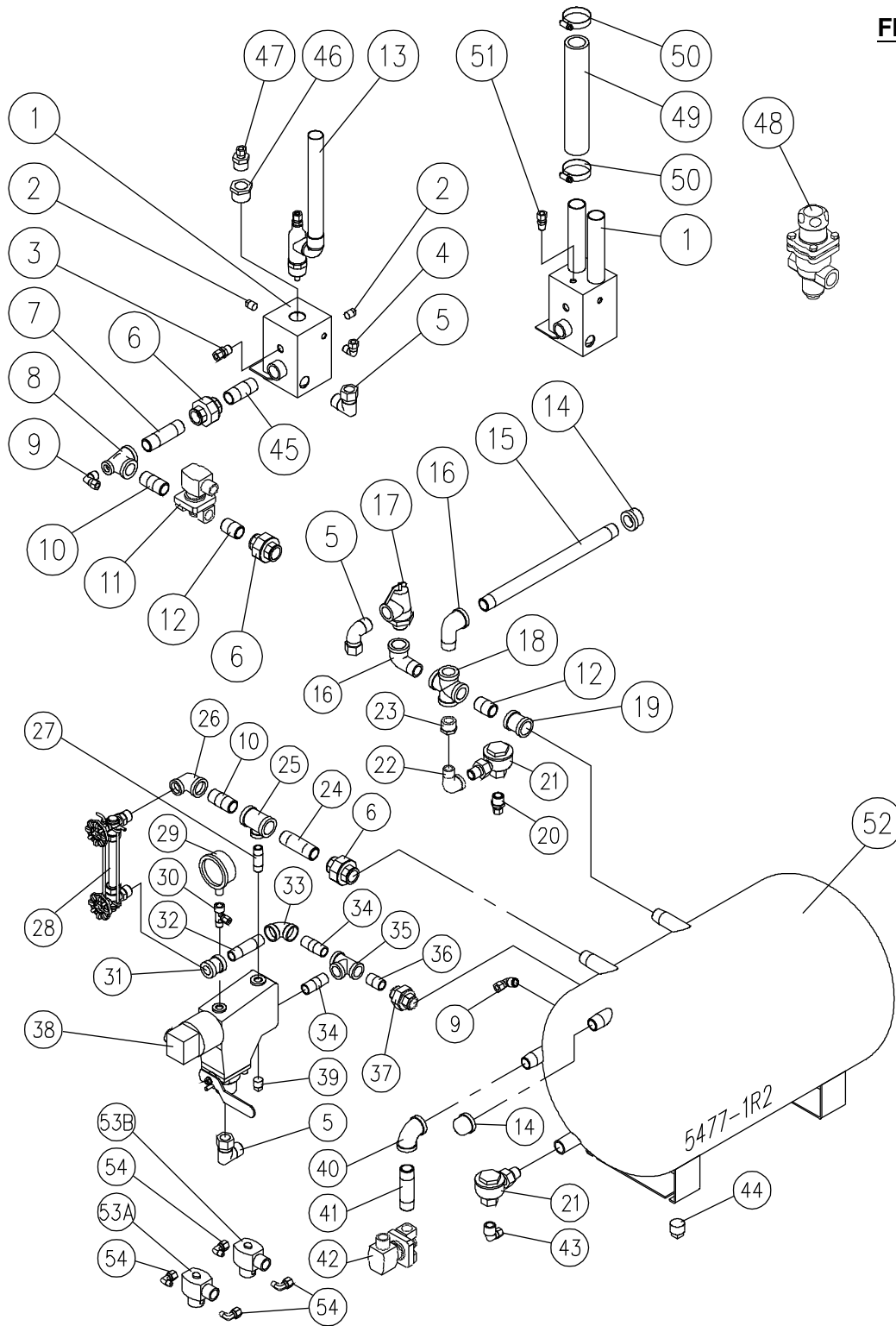
Telephone: 919-762-1000 [www.crownsteamgroup.com](http://www.crownsteamgroup.com)

Printed in Canada



PARTS LIST, STEAM COIL GENERATORS, MODELS CSC-24, CSC-36

**FIGURE 1**



## PARTS LIST, STEAM COIL GENERATORS, MODELS CSC-24, CSC-36

**FIGURE 1**

| <u>ITEM</u> | <u>PART<br/>NO.</u> | <u>DESCRIPTION</u>                | <u>QUANTITY</u> |
|-------------|---------------------|-----------------------------------|-----------------|
| ** 1        | 6474-1              | Appliance Drain (Pressureless)    | 1               |
|             | 6475-1              | Appliance Drain (Pressure)        | 1               |
| 2           | 9035-2              | Square Pipe Plug, 1/4"            | 2               |
| 3           | 3-686C              | Connector, 3/8C x 3/8" NPT        | 1               |
| 4           | 3-696B              | Elbow, 3/8C x 1/4" NPT            | 1               |
| 5           | 3-6912E             | Elbow, 3/4C x 3/4" NPT            | 3               |
| 6           | 9015-4              | Union, 3/4" 150#                  | 2               |
| 7           | 9010-034            | Nipple, 3/4 x 3-1/2"              | 1               |
| 8           | 9013-8              | Tee, 3/4 x 3/8 x 3/4 150#         | 1               |
| 9           | 3-696C              | Elbow, 3/8C x 3/8 NPT             | 2               |
| 10          | 9090-020            | Nipple, 3/4 x 2" Brass            | 2               |
| ** 11       | 3-S567              | Blowdown Valve                    | 1               |
| *           | 3-BVEO              | Ball Valve, 3/4"                  | 1               |
| 12          | 9090-000            | Close Nipple, 3/4" Brass          | 2               |
| ** 13       | 8-1255              | Exhaust Drain Assembly (Pressure) | 1               |
| 14          | 9067-2              | Pipe Cap, 3/4"                    | 2               |
| 15          | 9090-134            | Pipe, 3/4 x 13-1/2" Brass         | 1               |
| 16          | 9012-4              | St. Elbow, 3/4" 150#              | 2               |
| 17          | 3529-3              | Relief Valve, 15 PSI              | 1               |
| 18          | 9089-1              | Cross, 3/4" 150#                  | 1               |
| 19          | 9042-4              | Coupling, 3/4" 150#               | 1               |
| 20          | 3-686D              | Connector, 3/8C x 1/2 NPT         | 1               |
| 21          | 9170-1              | Steam Trap, 1/2"                  | 2               |

PARTS LIST, STEAM COIL GENERATORS, MODELS CSC-24, CSC-36

| <u>ITEM</u> | <u>PART NO.</u> | <u>DESCRIPTION</u>               | <u>QUANTITY</u> |
|-------------|-----------------|----------------------------------|-----------------|
| 22          | 9012-3          | St. Elbow, 1/2" 150#             | 1               |
| 23          | 9033-2          | Reducer Bushing, 3/4 x 1/2" 150# | 1               |
| 24          | 9090-030        | Nipple, 3/4 x 3" Brass           | 1               |
| 25          | 9013-6          | Tee, 3/4 x 3/4 x 3/8 150#        | 1               |
| 26          | 9014-1          | Reducing Elbow, 1/2 x 3/4 150#   | 1               |
| 27          | 9091-020        | Nipple, 3/8 x 2" Brass           | 1               |
| 28          | 5395-1          | Water Gauge Valves Set           | 1               |
| *           | 9108-2          | Water Gauge Glass - 4-3/4"       | 1               |
| *           | 8-6016          | Rods                             | 2               |
| *           | 8-6018          | Rubber Washers                   | 2               |
| *           | 8-6019          | Brass Washers                    | 2               |
| 29          | 3-PG30          | Pressure Gauge, 30 PSI           | 1               |
| 30          | 3-764B          | Tee, 1/4C x 1/4 M&FNPT Ends      | 1               |
| 31          | 9042-3          | Coupling, 1/2" 150#              | 1               |
| 32          | 9072-030        | Nipple, 1/2 x 3" Brass           | 1               |
| 33          | 9011-3          | Elbow, 1/2 150#                  | 1               |
| 34          | 9072-020        | Nipple, 1/2 x 2" Brass           | 2               |
| 35          | 9013-3          | Tee, 1/2" 150#                   | 1               |
| 36          | 9072-000        | Close Nipple, 1/2" Brass         | 1               |
| 37          | 9015-3          | Union, 1/2" 150#                 | 1               |
| 38          | 4-WC67          | Water Level Control              | 1               |
| *           | 8-6023          | Float                            | 1               |
| *           | 8-6022          | Switch                           | 1               |
| *           | 8-6020          | Round Gasket                     | 1               |

PARTS LIST, STEAM COIL GENERATORS, MODELS CSC-24, CSC-36

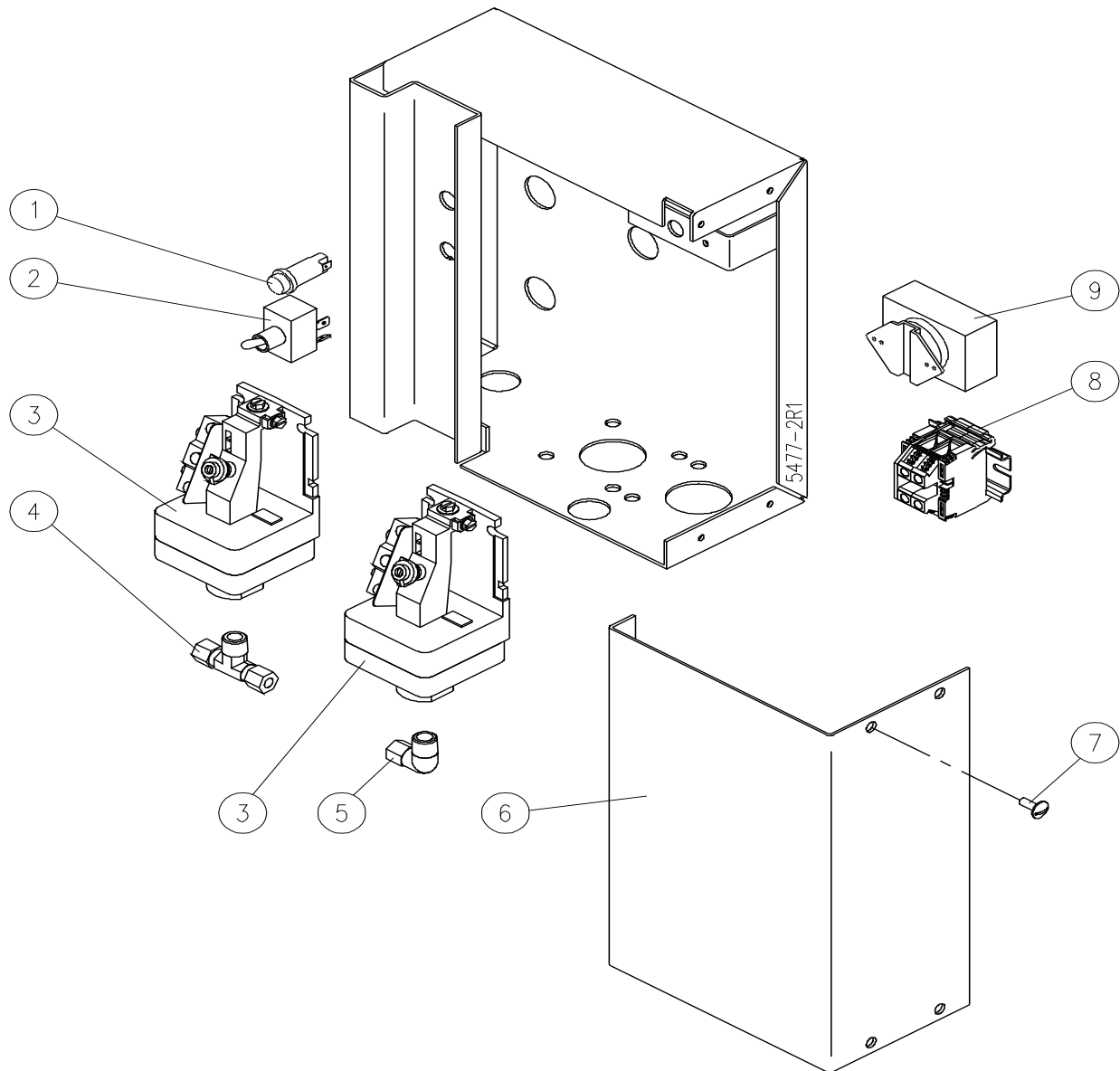
| <u>ITEM</u> | <u>PART<br/>NO.</u> | <u>DESCRIPTION</u>          | <u>QUANTITY</u>                        |   |
|-------------|---------------------|-----------------------------|--|---|
| *           | 8-6021              | Square Gasket               | 1                                      |   |
| *           | 8-6026              | Blowdown Valve              | 1                                      |   |
| 39          | 9035-3              | Square Head Pipe Plug, 3/8" | 1                                      |   |
| 40          | 9011-4              | Elbow, 3/4" 150#            | 1                                      |   |
| 41          | 9090-034            | Nipple, 3/4 x 3-1/2" Brass  | 1                                      |   |
| 42          | 9272-1              | Steam In Solenoid, 3/4"     | 1                                      |   |
| 43          | 3-696D              | Elbow, 3/8C x 1/2 NPT       | 1                                      |   |
| 44          | 9035-5              | Drain Plug, 3/4" NPT        | 1                                      |   |
| 45          | 9010-024            | Nipple, 3/4 x 2-1/2"        | 1                                      |   |
| **          | 46                  | 9033-1                      | Reducer Bushing, 1 x 3/4"              | 1 |
| **          | 47                  | 3-686C                      | Connector, 3/8C x 3/8 NPT              | 1 |
|             | 48                  | 9361-1                      | Pressure Regulator, 2 - 25 PSI         | 1 |
| **          | 49                  | 9-3296                      | Drain Hose (10"), Pressureless Cookers | 2 |
|             |                     | 9-3296-1                    | Drain Hose (20"), Pressureless Cookers | 2 |
|             |                     | 9-3296-2                    | Drain Hose (15"), Pressureless Cookers | 2 |
| **          | 50                  | 9017-5                      | Gear Clamp                             | 4 |
|             | 51                  | 3-686B                      | Connector, 3/8C x 1/4 NPT              | 1 |
|             | 52                  | 8-1256-1                    | Heat Exchanger                         | 1 |
|             | 53A                 | 9308-1                      | Water Supply Solenoid                  | 1 |
|             | 53B                 | 9310-1                      | Cooling Solenoid                       | 1 |
|             | 54                  | 3-696A                      | Elbow, 3/8C x 1/8 NPT                  | 4 |

\* NOT SHOWN.

\*\* SELECT AS REQUIRED.

PARTS LIST, STEAM COIL GENERATORS, MODELS CSC-24, CSC-36

**FIGURE 2**



PARTS LIST, STEAM COIL GENERATORS, MODELS CSC-24, CSC-36

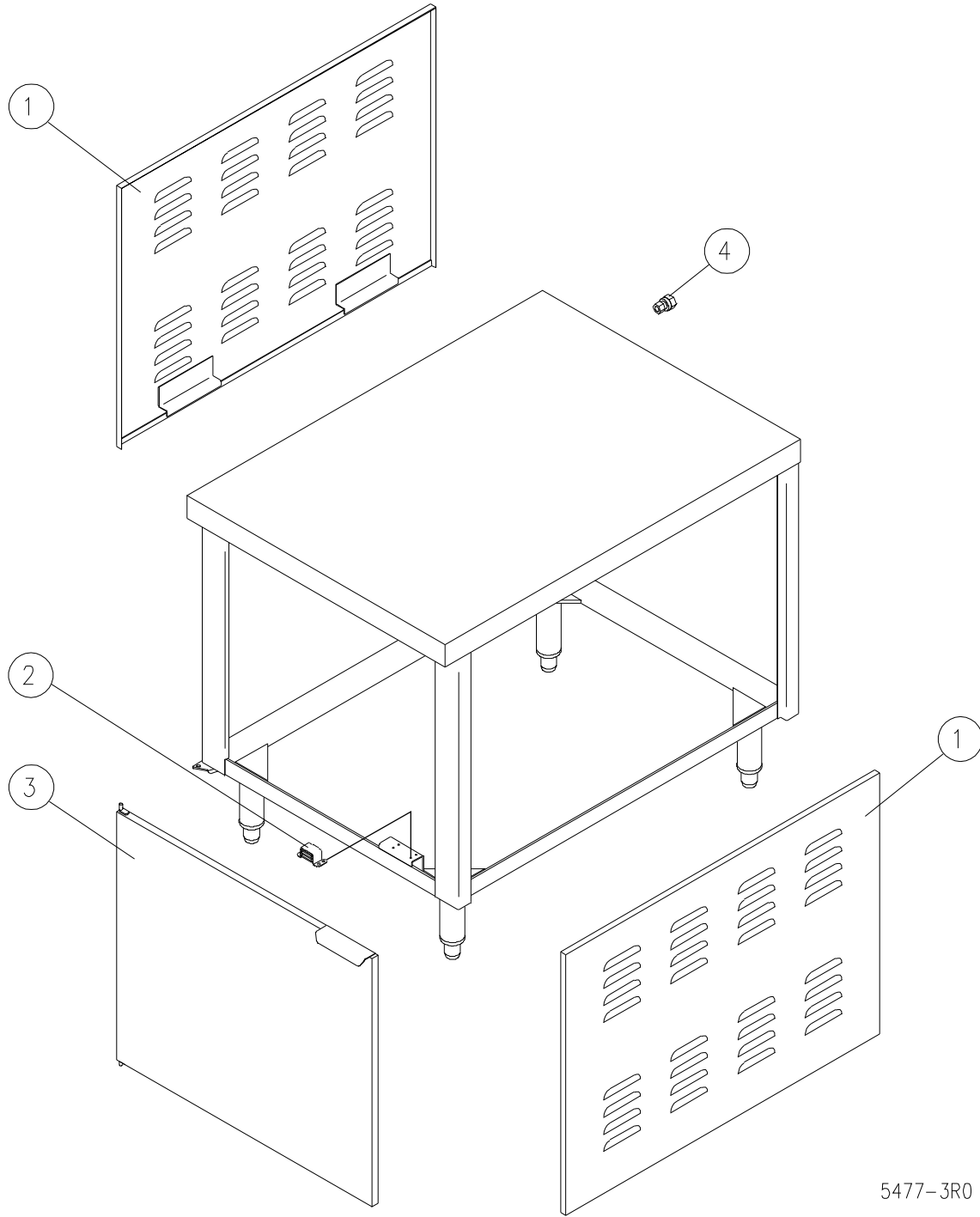
**FIGURE 2**

**CONTROL BOX**

| <b><u>ITEM</u></b> | <b><u>PART NUMBER</u></b> | <b><u>DESCRIPTION</u></b>                | <b><u>QUANTITY</u></b> |
|--------------------|---------------------------|--|------------------------|
| 1                  | 4-PL04                    | Pilot Light - Green                      | 1                      |
| 2                  | 9110-1                    | ON/OFF Switch                            | 1                      |
| 3                  | 9339-1                    | Pressure Switch complete with Transducer | 2                      |
| 4                  | 3-724B                    | Tee, 1/4C x 1/4 MPT                      | 1                      |
| 5                  | 3-696B                    | Elbow, 3/8C x 1/4 MPT                    | 1                      |
| 6                  | 6573-1                    | Control Box Cover                        | 1                      |
| 7                  | M19C1032-14               | Screw, 10-32 x 1/4                       | 4                      |
| 8                  | 9390-2                    | Terminal Block                           |                        |
|                    |                           | Modular Terminal Assembly, 2 Poles       | 1                      |
|                    |                           | Includes the following parts:            |                        |
|                    | 9391-1                    | Modular Terminal                         | 2                      |
|                    | 9392-1                    | End Plate                                | 1                      |
|                    | 9393-1                    | End Clamp                                | 2                      |
|                    | 9394-053                  | Mounting Rail, 53 mm                     | 1                      |
| 9                  | 4-TH04                    | Condensate Thermostat                    | 1                      |

PARTS LIST, STEAM COIL GENERATORS, MODELS CSC-24, CSC-36

**FIGURE 3**



5477-3R0

PARTS LIST, STEAM COIL GENERATORS, MODELS CSC-24, CSC-36

**FIGURE 3**

**CABINET 28" HEIGHT**

| <b><u>ITEM</u></b> | <b><u>PART NUMBER</u></b> | <b><u>DESCRIPTION</u></b> | <b><u>WIDTH</u></b> |                   |                   |
|--------------------|---------------------------|---------------------------|---------------------|-------------------|-------------------|
|                    |                           |                           | <b><u>24"</u></b>   | <b><u>36"</u></b> | <b><u>48"</u></b> |
| 1                  | 3563-1                    | Side Panel                | 2                   | 2                 | 2                 |
| 2                  | 5-MC02                    | Magnet Catch              | 1                   | 2                 | 2                 |
|                    | M93X-632-14               | Catch Screw               | 4                   | 8                 | 8                 |
| 3                  | 3373-1                    | Cabinet Door              | 1                   |                   |                   |
| *                  | 3204-1                    | Right Hand Door           |                     | 1                 |                   |
| *                  | 3209-1                    | Left Hand Door            |                     | 1                 |                   |
| *                  | 9-3368-1                  | Right Hand Door           |                     |                   | 1                 |
| *                  | 3373-1                    | Left Hand Door            |                     |                   | 1                 |
| 4                  | 3-666D                    | Water Connection          | 1                   | 1                 | 1                 |

\* NOT SHOWN.

PARTS LIST, STEAM COIL GENERATORS, MODELS CSC-24, CSC-36

**FIGURE 3**

**CABINET 32" HEIGHT**

**WIDTH**

| <u>ITEM</u> | <u>PART NUMBER</u> | <u>DESCRIPTION</u> | <u>24"</u> | <u>36"</u> | <u>42"</u> | <u>44"</u> | <u>48"</u> | <u>60"</u> |
|-------------|--------------------|--------------------|------------|------------|------------|------------|------------|------------|
| 1           | 8-1305-1           | Side Panel         | 2          | 2          | 2          | 2          | 2          | 2          |
| 2           | 5-MC02             | Magnetic Catch     | 1          | 2          | 2          | 2          | 2          | 3          |
|             | M93X-632-14        | Catch Screws       | 4          | 8          | 8          | 8          | 8          | 12         |
| 3           | 8-1932-1           | Door               | 1          |            |            |            |            |            |
| *           | 8-1303-1           | Right Hand Door    |            | 1          |            |            |            |            |
| *           | 8-1304-1           | Left Hand Door     |            | 1          |            |            |            |            |
| *           | 9-3368-6           | Right Hand Door    |            |            | 1          |            |            |            |
| *           | 9-3369-5           | Left Hand Door     |            |            | 1          |            |            |            |
| *           | 9-3368             | Right Hand Door    |            |            |            | 1          |            |            |
| *           | 9-3369             | Left Hand Door     |            |            |            | 1          |            |            |
| *           | 9-3368-5           | Right Hand Door    |            |            |            |            | 1          |            |
| *           | 9-3369-4           | Left Hand Door     |            |            |            |            | 1          |            |
| *           | 9-3368-3           | Right Hand Door    |            |            |            |            |            | 1          |
| *           | 9-3369-3           | Left Hand Door     |            |            |            |            |            | 1          |
| *           | 9-3368-4           | Centre Door        |            |            |            |            |            | 1          |
| 4           | 3-666D             | Water Connection   | 1          | 1          | 1          | 1          | 1          | 1          |

\* NOT SHOWN.