



IMPORTANT FOR FUTURE REFERENCE

Please complete this information and retain this manual for the life of the equipment:

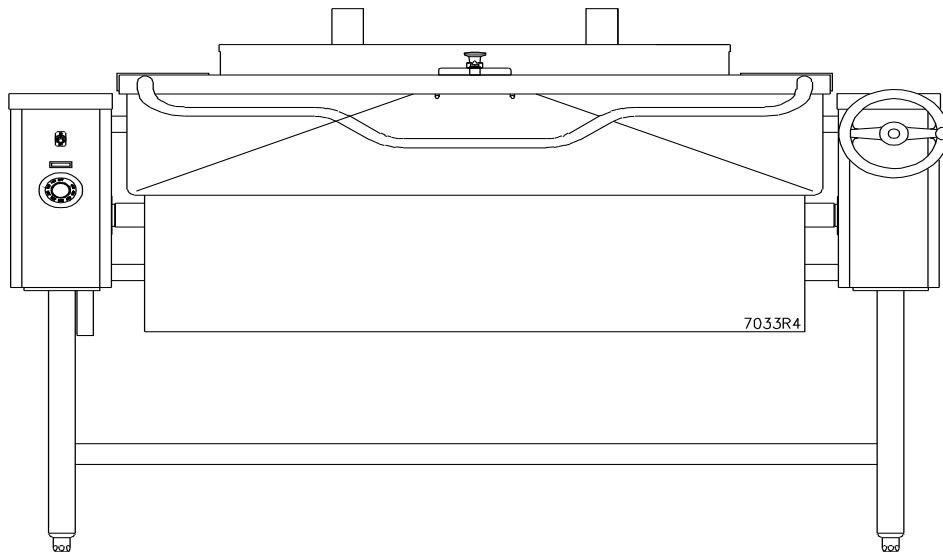
Model #: _____

Serial #: _____

Date Purchased: _____

PARTS LIST

Gas Tilting Skillets GTS-30 GTS-40



WARNING

Improper installation, adjustment, alteration, service or maintenance can cause property damage, injury or death. Read the installation, operating and maintenance instructions thoroughly before installing or servicing this equipment.

CROWN FOOD SERVICE EQUIPMENT

 A Middleby Company

70 Oakdale Road, Downsview (Toronto) Ontario, Canada, M3N 1V9

Telephone: 919-762-1000

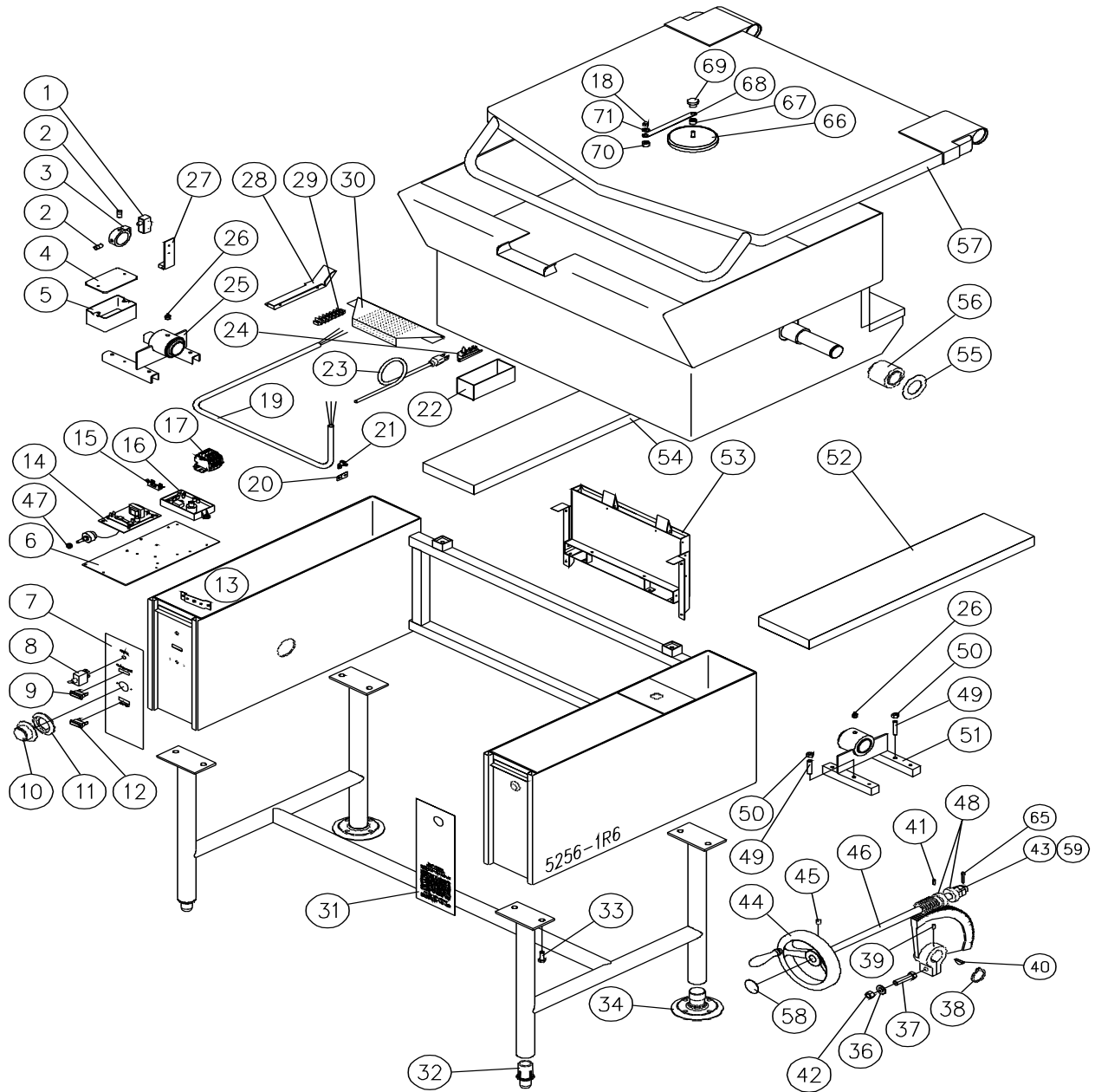
www.crownsteamgroup.com

Printed in Canada



PARTS LIST, GAS TILTING SKILLETS, MODELS: GTS-30, GTS-40

FIGURE 1



PARTS LIST, GAS TILTING SKILLETS, MODELS: GTS-30, GTS-40

| <u>ITEM</u> | <u>PART NUMBER</u> | <u>DESCRIPTION</u> | <u>30</u> | <u>40</u> | |
|-------------|------------------------|---|------------------------------|-----------|---|
| 1. | 4-M605 | Microswitch | 1 | 1 | |
| 2. | 9025-1 | Square Head Set Screw, 3/8 - 16 x 1/2" | 2 | 2 | |
| 3. | 3546-1 | Actuator Collar (8-3087) | 1 | 1 | |
| 4. | 9051-1 | Electrical Box Cover | 1 | 1 | |
| 5. | 9052-1 | Electrical Box | 1 | 1 | |
| 6. | 7766-1 | Component Mounting Plate | 1 | 1 | |
| 7. | 2856-1 | Console Decal (9-3283) | 1 | 1 | |
| 8. | 9110-1 | Power Switch | 1 | 1 | |
| 9. | 4996-2 | Pilot Light, Temp. 125V | 1 | 1 | |
| ** | 10. | 4352-1 | Dial F ° | 1 | 1 |
| | | 4689-1 | Dial C ° | 1 | 1 |
| 11. | 4-TB05 | Bezel | 1 | 1 | |
| 12. | 4996-1 | Pilot Light - Ignition, 125V | 1 | 1 | |
| 13. | 3691-1 | Potentiometer Spacer | 1 | 1 | |
| 14. | 5555-1 | Temperature Control Complete With Potentiometer, 120V | 1 | 1 | |
| ** | 15. | 9068-1 | Fuse Holder (120, 220V) | 1 | 1 |
| | | 9068-1 | Fuse Holder (208, 240V) | 2 | 2 |
| | | 9092-3 | Fuse 250V, 3 Amp. (120V) | 1 | 1 |
| | | 9092-1 | Fuse 250V, 1 Amp. (220V) | 1 | 1 |
| | | 9092-1 | Fuse 250V, 1 Amp (208, 240V) | 2 | 2 |
| 16. | 5373-2 | Ignition Module | 1 | 1 | |
| * | | 4851-2 | Ignition Module Wire Harness | 1 | 1 |
| 17. | 9390-2 | Modular Terminal Assembly, 2 Poles | 1 | 1 | |
| | | Includes the following parts: | | | |

PARTS LIST, GAS TILTING SKILLETS, MODELS: GTS-30, GTS-40

| <u>ITEM</u> | <u>PART NUMBER</u> | <u>DESCRIPTION</u> | <u>30</u> | <u>40</u> | |
|-------------|------------------------|-----------------------------|---|-----------|---|
| | 9391-1 | Modular Terminal | 2 | 2 | |
| | 9392-1 | End Plate | 1 | 1 | |
| | 9393-1 | End Clamp | 2 | 2 | |
| | 9394-053 | Mounting Rail, 53 mm | 1 | 1 | |
| 18. | 9031-5 | Acorn Nut, 1/4 - 20 UNC | 1 | 1 | |
| ** | 19. | 5219-3 | Brass Tube Complete With Thermocouple, High Limit Lead Wires | 1 | |
| | | 5219-4 | Brass Tube Complete With Thermocouple, High Limit Lead Wires | | 1 |
| * | | 9288-60 | Thermocouple Only | 1 | 1 |
| 20. | 4188-1 | Earth ID Tag | 1 | 1 | |
| 21. | 4-35EU | Ground Lug | 1 | 1 | |
| 22. | 5203-1 | Hi Limit Cover Assembly | 1 | 1 | |
| 23. | 4127-3 | Cord Set, 120V, 120" L | 1 | 1 | |
| 24. | 9-3021 | Hi Limit Switch (536°F) | 1 | 1 | |
| 25. | 6960-1 | Trunnion Housing Assembly | 1 | 1 | |
| | M50C-31618-58 | Hex Bolt, 3/16 - 18 x 5/8" | 4 | 4 | |
| 26. | 4898-1 | Grease Fitting, 1/8" NPT | 2 | 2 | |
| 27. | 3583-1 | Limit Switch Bracket | 1 | 1 | |
| 28. | 4758-1 | Terminal Block Enclosure | 1 | 1 | |
| 29. | 9-3332 | Terminal Block | 1 | 1 | |
| 30. | 7380-1 | Pour Lip Strainer | 1 | 1 | |
| 31. | 9-3284 | Console Decal | 1 | 1 | |
| 32. | 5-FS64 | Adjustable Foot | 2 | 2 | |
| 33. | M50C-3816-1 | Hex HD Screw, 3/8 - 16 x 1" | 8 | 8 | |
| 34. | 8-1308 | Adjustable Flanged Foot | 2 | 2 | |

PARTS LIST, GAS TILTING SKILLETS, MODELS: GTS-30, GTS-40

| <u>ITEM</u> | <u>PART NUMBER</u> | <u>DESCRIPTION</u> | <u>30</u> | <u>40</u> | |
|-------------|------------------------|--|--|-----------|---|
| 35. | 5393-1 | Segment Gear and Worm Kit (Includes Items 36 to 42) | 1 | 1 | |
| 36. | S01C-12 | Lock Washer, 1/2" | 1 | 1 | |
| 37. | 9302-5 | Hex Bolt, 1/2 - 13 x 2" | 1 | 1 | |
| 38. | 1-R315 | Spring Clip | 1 | 1 | |
| 39. | 9061-4 | Set Screw, 1/4 - 20 x 1/2" | 1 | 1 | |
| 40. | 1-K8U8 | Key | 1 | 1 | |
| 41. | 2-T6U5 | Tension Pin, 3/16" D x 1-1/4" L | 1 | 1 | |
| 42. | 1-99C0 | Hex Nut, 1/2 - 13 | 1 | 1 | |
| 43. | 2-HN66 | Jam Nuts | 2 | 2 | |
| 44. | 8-2054 | Hand Wheel | 1 | 1 | |
| | 8-2054-1 | Handle | 1 | 1 | |
| 45. | 9061-5 | Set Screw, 3/8 - 16 x 1/2" | 1 | 1 | |
| 46. | 6738-1 | Tilt Shaft | 1 | 1 | |
| 47. | 9109-2 | Potentiometer Shaft Seal | 1 | 1 | |
| 48. | 5327-1 | Thrust Bearing | 2 | 2 | |
| 49. | 9061-6 | Set Screw, 3/8 - 16 x 1-3/4" | 2 | 2 | |
| 50. | 1-79C0 | Hex Nut, 3/8 - 16 | 2 | 2 | |
| 51. | 6952-1 | Trunnion Housing Assembly | 1 | 1 | |
| | M50C-31618-58 | Hex Bolt, 3/16 - 18 x 5/8" | 4 | 4 | |
| ** | 52. | 3450-2 | Right Hand Console Cover | 1 | 1 |
| | | 4902-1 | Right Hand Console Cover for Faucet (Optional) | 1 | 1 |
| ** | 53. | 6875-1 | Flue Assembly | 1 | |
| | | 6874-1 | Flue Assembly | | 1 |
| | 54. | 4903-1 | Left Hand Console Cover | 1 | 1 |
| | 55. | 3625-1 | Washer | 2 | 2 |

PARTS LIST, GAS TILTING SKILLETS, MODELS: GTS-30, GTS-40

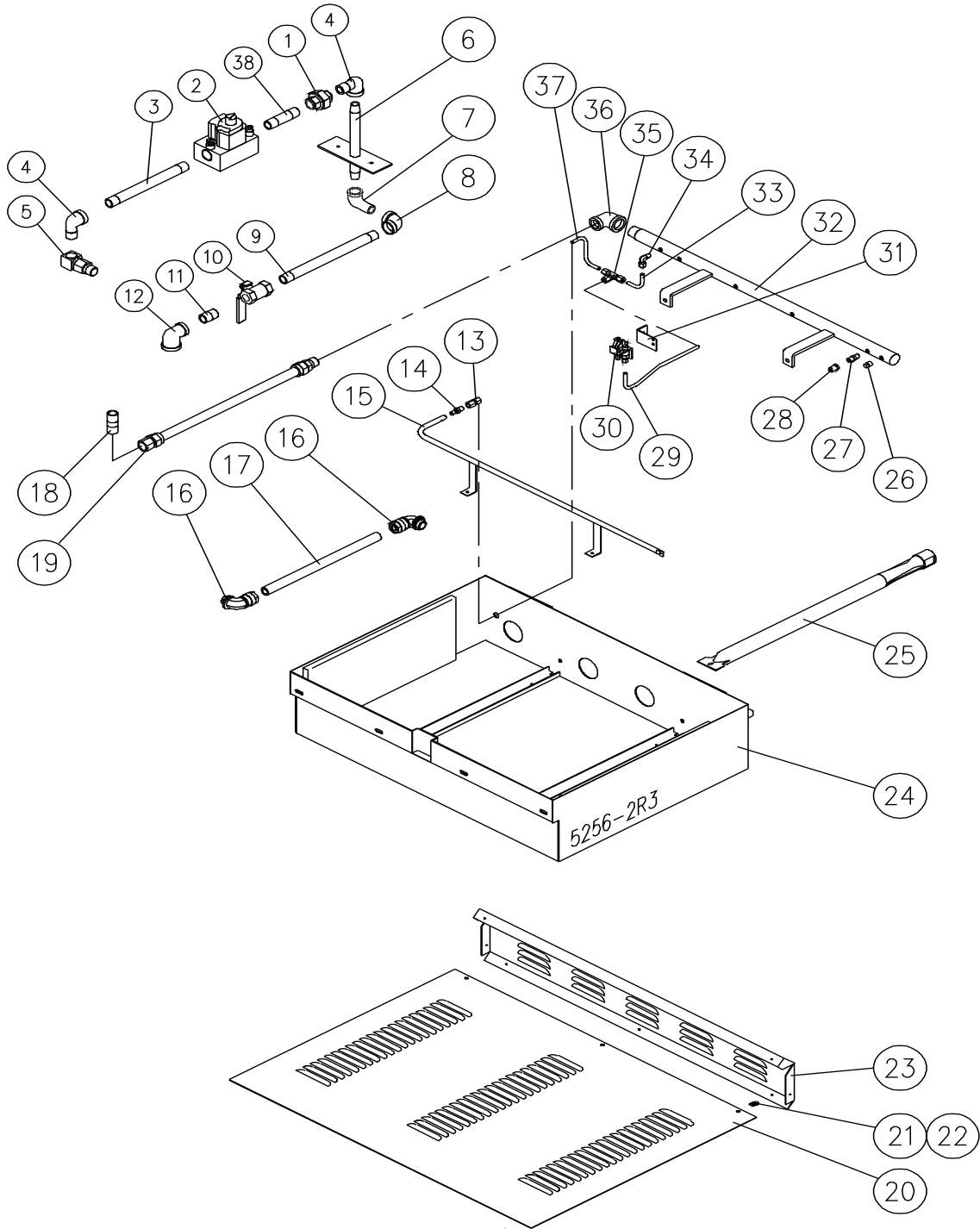
| <u>ITEM</u> | <u>PART NUMBER</u> | <u>DESCRIPTION</u> | <u>30</u> | <u>40</u> |
|-------------|------------------------|--------------------|--|-----------|
| | 56. | 3462-1 | Spacer | 2 2 |
| ** | 57 | 7381-2 | Pan Cover Assembly with Vent | 1 |
| | | 7382-2 | Pan Cover Assembly with Vent | 1 |
| | 58. | 5608-1 | Tilt Label | 1 1 |
| | 59. | 5328-1 | Washer, 3/4" ID x 1-1/4" OD | 1 1 |
| * | 60. | 3754-1 | Transformer and Fuse Mounting Bracket | 1 1 |
| * ** | 61. | 4-T265 | Transformer, 220/240 - 120V | 1 1 |
| | | 4-T259 | Transformer, 208/415 - 120V | 1 1 |
| * ** | 62. | 4326-1 | Double Pantry Faucet - 18" Spout | 1 1 |
| | | 4326-2 | Double Pantry Faucet - 12" Spout | 1 1 |
| | | 4327-1 | Single Pantry Faucet - 18" Spout | 1 1 |
| | | 4327-2 | Single Pantry Faucet - 12" Spout | 1 1 |
| * ** | 63. | 4763-1 | Caster Complete With Brake | 2 2 |
| | | 4763-2 | Caster Without Brake | 2 2 |
| * | 64. | 4343-1 | Thermocouple Extension, 48" | 1 1 |
| | 65. | 5329-1 | Cotter Pin, Stainless Steel, 3/16" x 1" L. | 1 1 |
| | 66. | 4139-1 | Vent Cover | 1 1 |
| | 67. | 4355-1 | Swivel Spacer | 1 1 |
| | 68. | 5817-1 | Arm | 1 1 |
| | 69. | 9248-1 | Knob | 1 1 |
| | 70. | 4355-1 | Swivel Base | 1 1 |
| | 71. | F05N-14 | Flat Washer, 1/4" | 1 1 |

* NOT SHOWN.

** SELECT AS REQUIRED.

PARTS LIST, GAS TILTING SKILLETS, MODELS: GTS-30, GTS-40

FIGURE 2



PARTS LIST, GAS TILTING SKILLETS, MODELS: GTS-30, GTS-40

FIGURE 2

| <u>ITEM</u> | <u>PART NUMBER</u> | <u>DESCRIPTION</u> | <u>30</u> | <u>40</u> |
|-------------|--------------------|--|-----------|-----------|
| 1. | 3-U4BE | Union Elbow, 1/2" | 1 | 1 |
| ** 2. | 5188-1 | Combination Gas Control, 1/2", Natural Gas | 1 | 1 |
| | 5188-2 | Combination Gas Control, 1/2", LP Gas | 1 | 1 |
| 3. | 9009-142 | Nipple, 1/2" x 14-1/4" Long | 1 | 1 |
| 4. | 9012-3 | Street Elbow, 1/2" | 1 | 1 |
| 5. | 9196-1 | Swivel Joint, 1/2" | 1 | 1 |
| 6. | 3581-1 | Gas Inlet Assembly, 1/2" | 1 | 1 |
| 7. | 9012-3 | 90° ST. Elbow, 1/2" | 1 | 1 |
| 8. | 9011-3 | 90° Elbow, 1/2" | 1 | 1 |
| 9. | 9009-094 | Nipple, 1/2" x 9-1/2" Long | 1 | 1 |
| 10. | 4918-1 | Gas Shut Off Valve, 1/2" | 1 | 1 |
| 11. | 9009-000 | Close Nipple, 1/2" | 1 | 1 |
| 12. | 9014-1 | 90° Reducing Elbow, 3/4" x 1/2" | 1 | 1 |
| 13. | 3-664A | Connector, 1/4 C x 1/8 FPT | 1 | 1 |
| ** 14. | 9-3335-56 | Lighter Tube Orifice, #56, Natural Gas | 1 | 1 |
| | 9-3335-72 | Lighter Tube Orifice, #72, LP Gas | 1 | 1 |
| ** 15. | 2486-1 | Lighter Tube Assembly | 1 | |
| | 2488-1 | Lighter Tube Assembly | | 1 |
| 16. | 9018-1 | Liquid Tite Elbow, 3/8" | 2 | 2 |
| 17. | 9020-1 | Liquid Tite Conduit, 3/8" | 1 | 1 |
| 18. | 9009-020 | Nipple, 1/2" x 2" Long | 1 | 1 |
| 19. | 9026-18 | Gas Flex Hose | 1 | 1 |
| ** 20. | 6877-1 | Bottom Cover | 1 | |
| | 6876-1 | Bottom Cover | | 1 |

PARTS LIST, GAS TILTING SKILLETS, MODELS: GTS-30, GTS-40

| <u>ITEM</u> | <u>PART NUMBER</u> | <u>DESCRIPTION</u> | <u>30</u> | <u>40</u> |
|-------------|------------------------|---|-----------|-----------|
| 21. | 9000-3 | Spring Nut, 8-32 | 8 | 10 |
| 22. | 1-23C2 | Screw, 8-32 x 1/4" | 8 | 10 |
| ** 23. | 2493-1 | Manifold Cover | 1 | |
| | 2494-1 | Manifold Cover | | 1 |
| ** 24. | 7196-1 | Burner Box | 1 | |
| | 7197-1 | Burner Box | | 1 |
| 25. | 7227-2 | Burner | 4 | 6 |
| 26. | 9035-1 | Pipe Plug, 1/8" NPT | 1 | 1 |
| 27. | 3-122A | Orifice Nipple | 4 | 6 |
| ** 28. | 9-3351-44 | Burner Orifice, Natural Gas | 4 | |
| | 9-3351-55 | Burner Orifice, LP Gas | 4 | |
| | 9-3351-56 | Burner Orifice, LP Gas | | 6 |
| | 9-3351-47 | Burner Orifice, Natural Gas | | 6 |
| 29. | 5264-1 | Burner Pilot Inlet Tube | 1 | 1 |
| ** 30. | 5171-1 | Pilot Burner Complete With Ignitor (.018), Nat. Gas | 1 | 1 |
| | 5171-2 | Pilot Burner Complete With Ignitor (.010), LP Gas | 1 | 1 |
| 31. | 5170-1 | Pilot Mounting Bracket | 1 | 1 |
| ** 32. | 2491-1 | Manifold Assembly | 1 | |
| | 2492-1 | Manifold Assembly | | 1 |
| 33. | 5262-1 | Manifold Outlet Tube | 1 | 1 |
| 34. | 3-694A | 90° Elbow, 1/4 C x 1/8 MPT | 1 | 1 |
| 35. | 3-644 | Tee, 1/4 C | 1 | 1 |
| 36. | 9014-1 | 90° Reducing Elbow, 3/4" x 1/2" | 1 | 1 |
| 37. | 5263-1 | Orifice Inlet Tube | 1 | 1 |

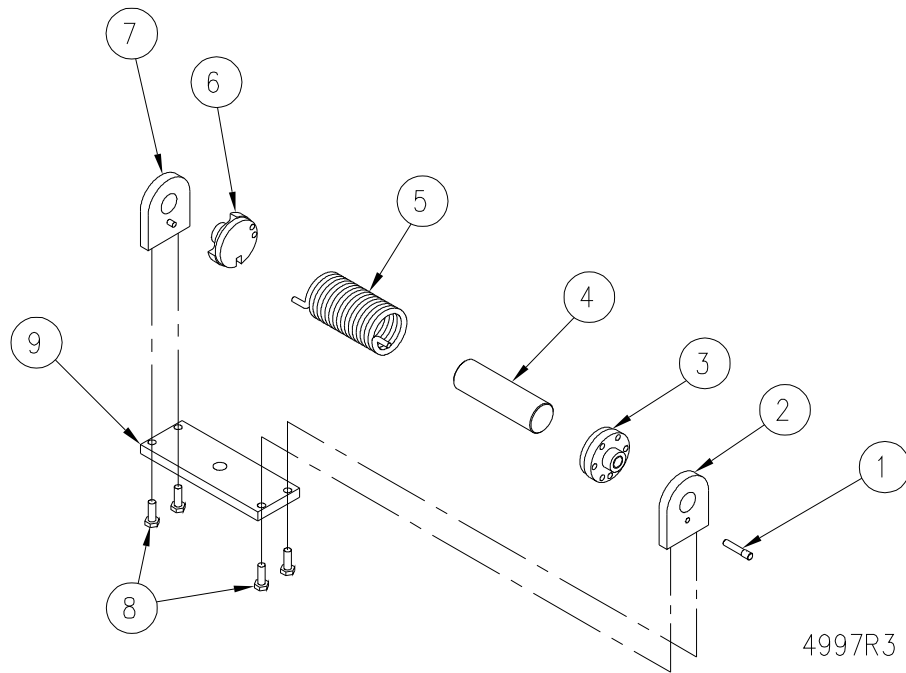
* NOT SHOWN.

** SELECT AS REQUIRED.

PARTS LIST, GAS TILTING SKILLETS, MODELS: GTS-30, GTS-40

HINGE ASSEMBLY

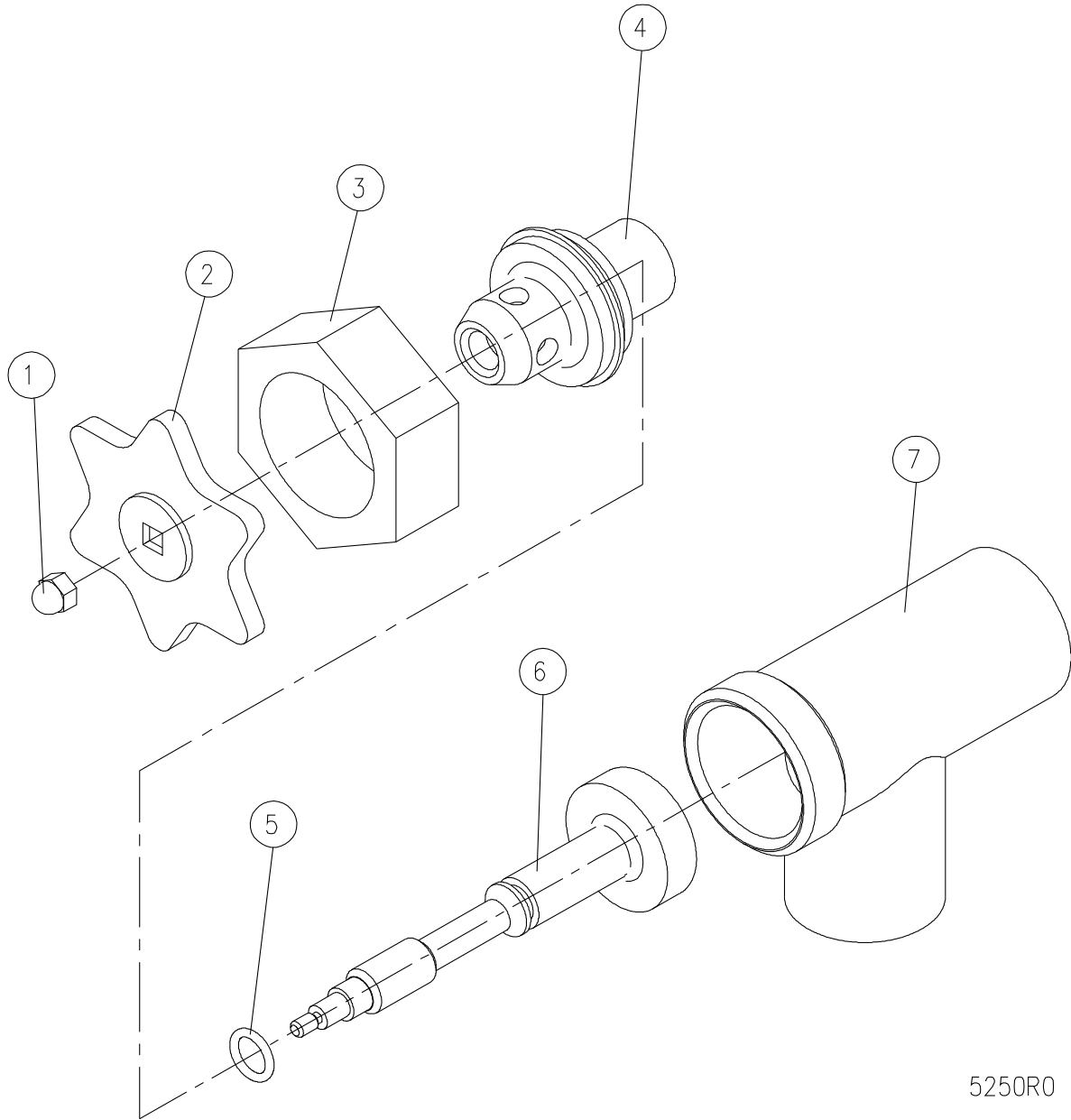
FIGURE 3



| <u>ITEM NUMBER</u> | <u>PART NUMBER</u> | <u>DESCRIPTION 24 & 30 GALLON</u> | <u>QUANTITY</u> |
|---------------------------|---------------------------|--|------------------------|
| | 9-3185 | LARGE HINGE ASSEMBLY | |
| 1. | 8-2029 | Lock Pin | 1 |
| 2. | 8-2035L | End Lock Plate | 1 |
| 3. | 5428-1 | Stationary Disc | 1 |
| 4. | 5430-1 | Core | 1 |
| 5. | 8-2026 | Spring | 1 |
| 6. | 5429-1 | Rotary Disc | 1 |
| 7. | 8-2021 | End Stop Plate | 1 |
| 8. | M506-1420-34 | Hex HD Screw, 1/4-20 x 3/4, Stainless Steel | 4 |
| 9. | 3730-1 | Base Plate | 1 |

PARTS LIST, GAS TILTING SKILLETS, MODELS: GTS-30, GTS-40

FIGURE 4



5250R0

PARTS LIST, GAS TILTING SKILLETS, MODELS: GTS-30, GTS-40

FIGURE 4

| <u>ITEM</u> | <u>PART NUMBER</u> | <u>DESCRIPTION</u> | <u>QTY.</u> |
|-------------|--------------------|--------------------------------|-------------|
| | 3-D015 | 1-1/2" DRAW-OFF VALVE ASSEMBLY | |
| 1. | 9031-3 | Acorn Nut 10-24 UNC | 1 |
| 2. | 4115-1 | Handle, Stainless Steel | 1 |
| 3. | 3-DV14 | Bonnet | 1 |
| 4. | 3-DV13 | Gland Nut | 1 |
| 5. | 3-DV16 | "O" Ring | 1 |
| 6. | 3-DV15RV | Stem Assembly | 1 |
| 7. | 3-DV17 | Valve Body | 1 |

| <u>ITEM</u> | <u>PART NUMBER</u> | <u>DESCRIPTION</u> | <u>QTY.</u> |
|-------------|--------------------|----------------------------|-------------|
| | 3-D020 | 2" DRAW-OFF VALVE ASSEMBLY | |
| 1. | 9031-3 | Acorn Nut 10-24 UNC | 1 |
| 2. | 4115-1 | Handle, Stainless Steel | 1 |
| 3. | 3-DV24 | Bonnet | 1 |
| 4. | 3-DV23 | Gland Nut | 1 |
| 5. | 3-DV26 | "O" Ring | 1 |
| 6. | 3-DV25RV | Stem Assembly | 1 |
| 7. | 3-DV27 | Valve Body | 1 |

| <u>ITEM</u> | <u>PART NUMBER</u> | <u>DESCRIPTION</u> | <u>QTY.</u> |
|-------------|--------------------|----------------------------|-------------|
| | 3-D030 | 3" DRAW-OFF VALVE ASSEMBLY | |
| 1. | 3-DV31 | Acorn Nut, 7/16 - 14 UNC | 1 |
| 2. | 3-DV32 | Handle, Stainless Steel | 1 |
| 3. | 3-DV34 | Bonnet | 1 |
| 4. | 3-DV33 | Gland Nut | 1 |
| 5. | 3-DV36 | "O" Ring | 1 |
| 6. | 3-DV35RV | Stem Assembly | 1 |
| 7. | 3-DV37 | Valve Body | 1 |