

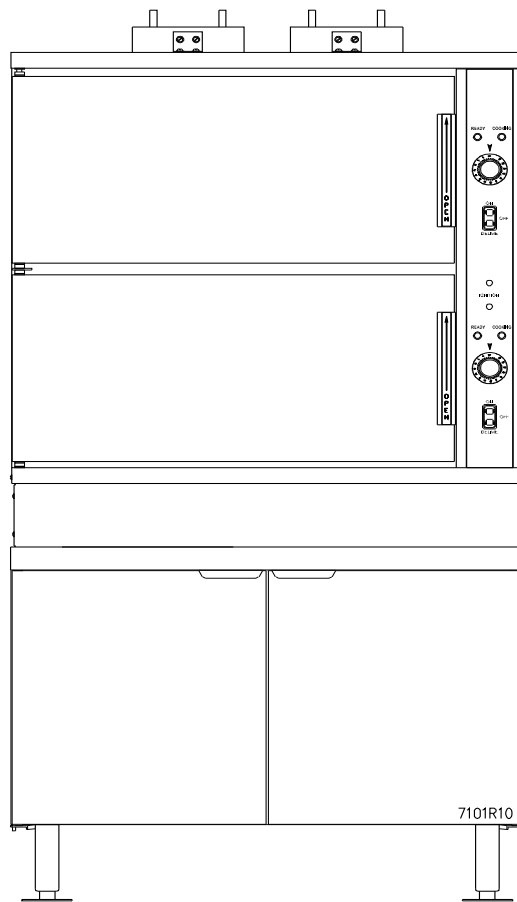


**IMPORTANT FOR FUTURE REFERENCE**  
 Please complete this information and retain this manual for the life of the equipment:

Model #: \_\_\_\_\_  
 Serial #: \_\_\_\_\_  
 Date Purchased: \_\_\_\_\_

# PARTS LIST

; Ug`Hk c`7 ca dUfha Ybh7 cbj YWjcb`GhYUa Yf`cb`7 UV]bYhi6 UgY  
 ...; GL!%6<9`



**⚠ WARNING**

Improper installation, adjustment, alteration, service or maintenance can cause property damage, injury or death. Read the installation, operating and maintenance instructions thoroughly before installing or servicing this equipment.

**CROWN FOOD SERVICE EQUIPMENT**

A Middleby Company

70 Oakdale Road, Downsview (Toronto) Ontario, Canada, M3N 1V9  
 Telephone: 919-762-1000      www.crownsteamgroup.com

Printed in Canada





PARTS LIST, PRESSURELESS COOKER, MODEL GSX-16HE

**FIGURE 1**

<u>ITEM</u>	<u>PART NO.</u>	<u>DESCRIPTION</u>	<u>QUANTITY</u>
1	7159-2	Left Hand Side Panel	1
2	1-34S8	Screw, 10 - 32 x 1", Stainless Steel	14
3	4251-1	Door Assembly	2
4	4247-1	Hinge Rod	1
5	5116-1	Flue Support	2
6	6714-1	Flue Top	2
7	1344-3	Flue	2
8	5281-1	Steam Diverters	8
9	9-3336	Door Actuator Pin Complete With Clip	2
	9-3213	Door Switch	2
10	7264-1	Decal, Control Panel	1
11	8-5021	Striker (3498)	2
	8-5022	Washer Stainless Steel	2
	1-90S0	Lock Washer	2
	1-99S0	Nut	2
12	4721-1	Rack Hanger Assembly	8
13	4-PL04	Pilot Light - Green	2
14	4-PL07	Pilot Light - Red	2
**	4104-1	Dial, 60 Minutes, 60 Hz	2
	4103-1	Dial, 60 Minutes, 50 Hz	2
16	9124-2	Switch, 120V	2
17	4-PL04-2	Pilot Light, Green (28V)	2
18	2833-1	Front Riser	1
19	0672-2	Generator Tank	2

PARTS LIST, PRESSURELESS COOKER, MODEL GSX-16HE

<u>ITEM</u>	<u>PART NO.</u>	<u>DESCRIPTION</u>	<u>QUANTITY</u>	
	20	5224-2	Compartment Strainer	2
	21	8-5023-6	Perforated Trough	1
**	22	8-1303	Cabinet Door Assembly, Right Hand	1
		8-1304	Cabinet Door Assembly, Left Hand	1
	23	5288-1	Delime Funnel	1
	24	3-696A	Elbow, 3/8" C x 1/8" MPT	2
	25	2-686C	Thermostat Fitting	2
	26	4874-3	High Limit Sensor	2
	27	3-6912E	Elbow - Blowdown, 3/4" C x 3/4" MPT	4
	28	3-S543	Blowdown Valve, 3/4" FPT	2
**	29	2681-2	Pan Rack	4
		7848-1	18" x 24" Pan Rack (Optional)	4
	30	2667-1	Centre Pan Support	2
	31	5380-1	Bullet Leg Assembly, 6"	2
	32	5379-1	Flanged Leg Assembly, 6"	2
	33	3-121C	Brass Plug, 3/8" MPT	2
	34	3-124C	45° Brass Street Elbow 3/8" MPT	2
	35	9026-24	Gas Flex Tube, 1/2" x 24" (Left Hand)	1
		9026-18	Gas Flex Tube, 1/2" x 18" (Right Hand)	1
	36	3-696A	Elbow, 3/8 c x 1/8 MPT	2
	37	5162-1	Fill Solenoid	2
	38	3-686A	Connector, 3/8" C x 1/8" MPT	1
	39	3-726A	Tee, 3/8 C x 1/8 MPT	1
	40	3-696D	Elbow, 3/8" C x 1/2" MPT	1
	41	5444-1	Thermostatic Cooling Valve	1
*	41	5376-1	Cooling Valve Bracket	1

PARTS LIST, PRESSURELESS COOKER, MODEL GSX-16HE

<u>ITEM</u>	<u>PART NO.</u>	<u>DESCRIPTION</u>	<u>QUANTITY</u>	
	42	3-686D	Connector, 3/8 C x 1/2 MPT	1
	43	9012-3	Street Elbow, 1/2"	3
**	44	5450-1	Combination Control, Natural Gas	2
		5450-2	Combination Control, LP	2
	45	3-U4BE	Union Elbow, 1/2"	2
	46	9010-030	Pipe, 3/4" x 3"	1
	47	9012-4	Street Elbow, 3/4"	1
	48	9009-000	Close Nipple, 1/2"	2
	49	9014-1	Reducing Elbow, 1/2" x 3/4"	1
	50	9013-3	Tee, 1/2"	1
	51	9009-076	Nipple, 1/2" x 7-3/4"	1
	52	3738-12	Probe, 3 Inches	2
	53	3738-11	Probe, 2-1/2 Inches	2
	54	3738-10	Probe, 2 Inches	2
	55	5286-1	Relief Valve, 5 PSI	2
	56	3-776	Bulk Head, 3/8"C, Water Fill	2
	57	5233-1	Gas Supply Pipe, 3/4" x 9 - 13/16"	1
	58	1-33C4	Screw, 10 - 32 x 1/2" Plated	4
	59	4127-3	Cord Set, 120V	1
**	60	9083-36	Bottom, Flex Steam Tube, 36"	2
		9083-48	Top, Flex Steam Tube, 48"	2
	61	5282-1	Steam Manifold	4
	62	3-7012E	Elbow, 3/4" C x 3/4" FPT	8
**	63	4-T210	Timer, 60 Minutes	2
	64	1-34S4	Screw, 10 - 32 x 1/2" Stainless Steel	28
	65	2835-1	Side Riser Panel	2

PARTS LIST, PRESSURELESS COOKER, MODEL GSX-16HE

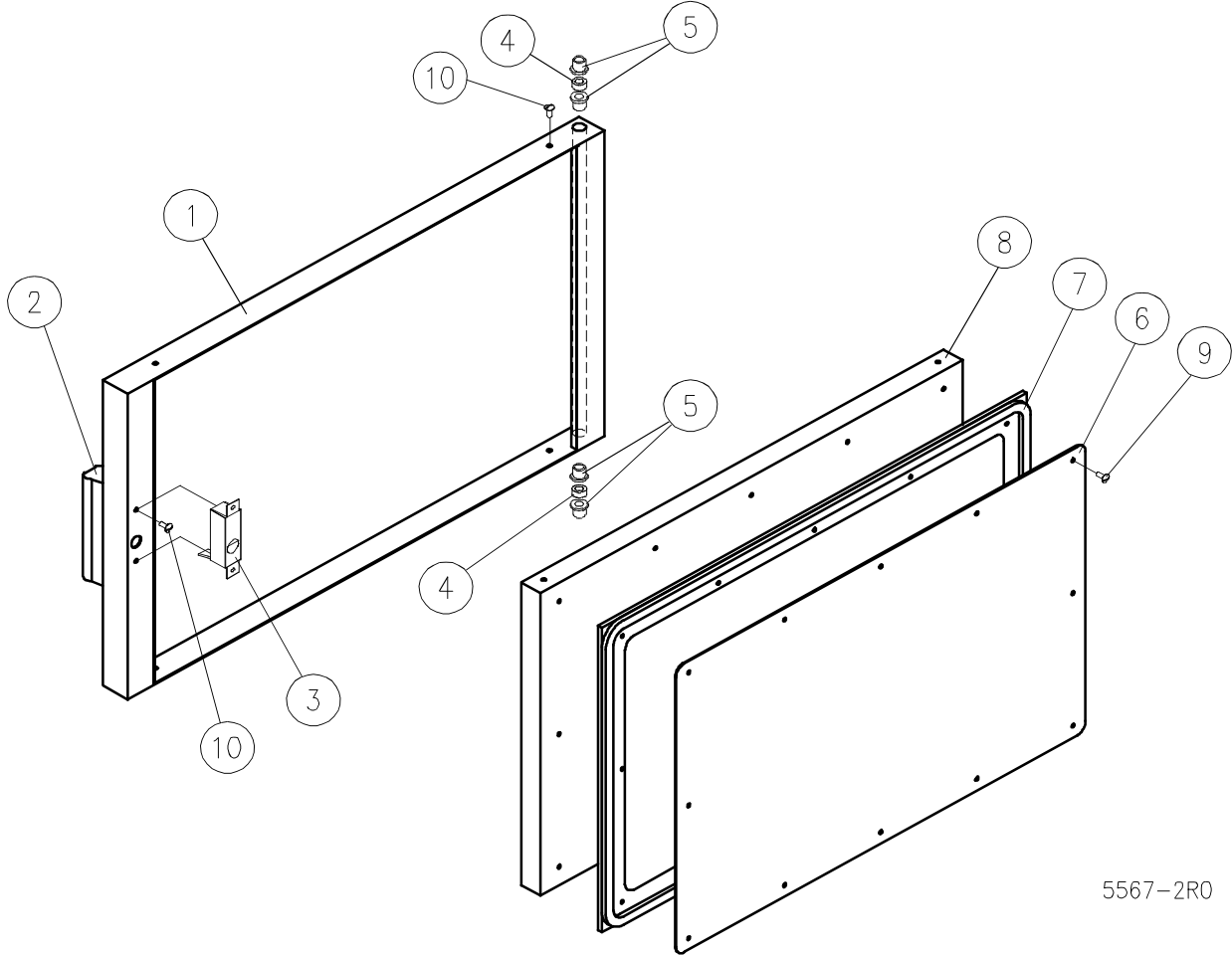
<u>ITEM</u>	<u>PART NO.</u>	<u>DESCRIPTION</u>	<u>QUANTITY</u>	
66	8-5102-6	Right Hand Side Panel	1	
67	1-53S4	Screw, 1/4 - 20 x 1/2" Stainless Steel	2	
68	3933-1	Flue Cover	1	
69	8-5108-6	Top Panel	1	
*	70	7156-1	Drain Box Assembly	1
*		3-6812E	Connector - Drain, 3/4C" x 3/4" MPT	4
		3-U6BE	Union Elbow, 3/4" - Drain	2
		3-686D	Connector, 3/8" C x 1/2" MPT	1
*	71	5299-2	High Limit Sensor Cover	1
* **	72	5381-1	Swivel 5" Caster Complete With Brake, Optional	2
* **	73	5382-1	Swivel 5" Caster, Optional	2
*	74	3-TS01	Thermal Switch (Inside Compartment)	2
	75	5784-1	Relief Valve Extension	2

\* NOT SHOWN.

\*\* SELECT AS REQUIRED.

PARTS LIST, PRESSURELESS COOKER, MODEL GSX-16HE

**FIGURE 2**



5567-2R0

PARTS LIST, PRESSURELESS COOKER, MODEL GSX-16HE

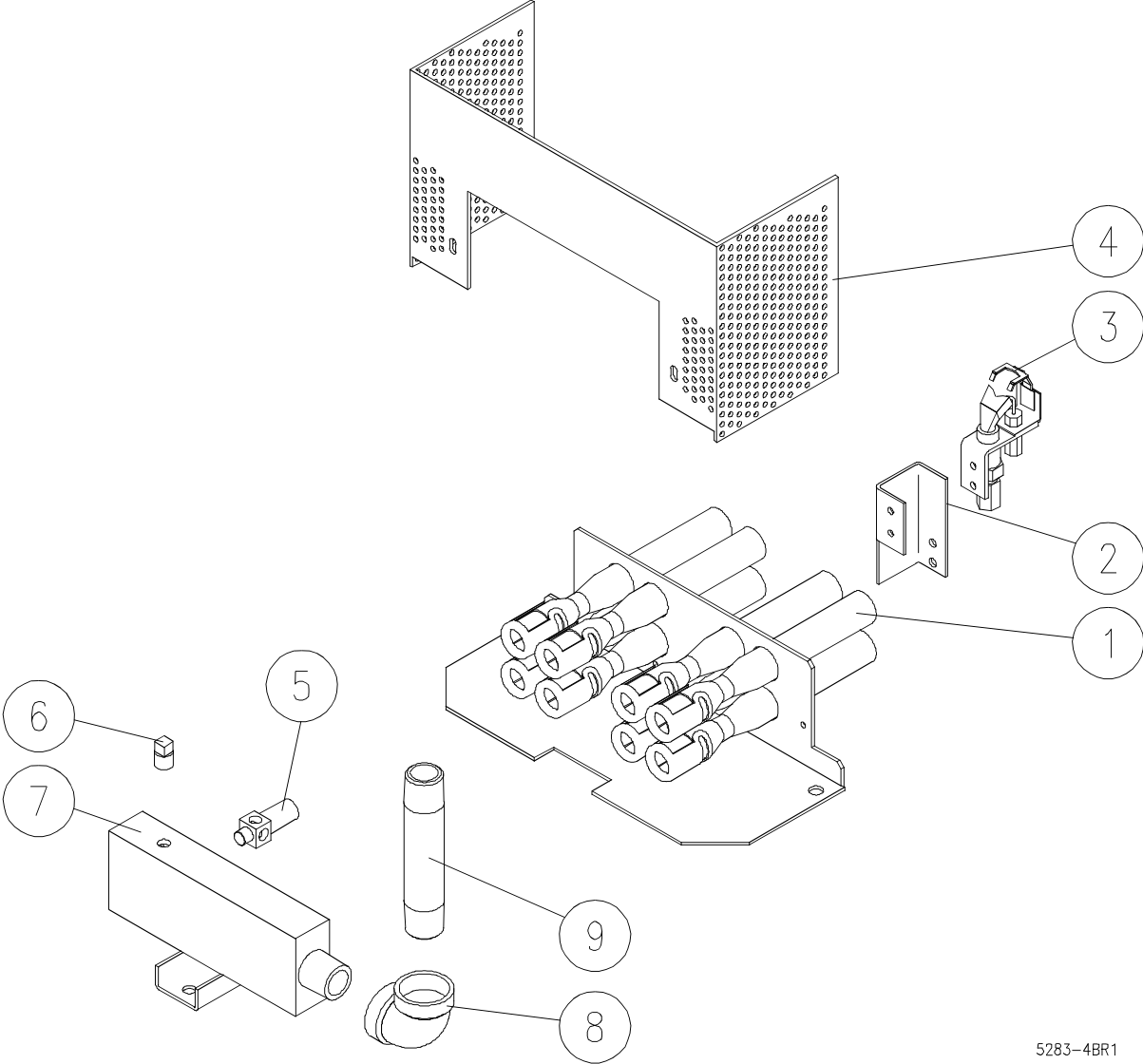
**FIGURE 2**

<u>ITEM</u>	<u>PART NO.</u>	<u>DESCRIPTION</u>	<u>QUANTITY</u>
1	3103-1	Door Frame	1
2	3903-2	Door Handle Assembly	1
*	3646-1	Decal	1
3	8-5068-9	Latch Assembly (3900)	1
4	4249-1	Spacer - Top Door, Stainless Steel	2
	4250-1	Spacer, Lower Door, Stainless Steel	2
5	4248-1	Door Bushing	4
6	2805-1	Gasket Retaining Plate	1
7	8-5063-6	Gasket	1
8	2804-1	Door Panel, Inner	1
9	9-1011-1	Screw 10 - 32 x 1/2"	12
10	1-34S4	Screw 10 - 32 x 1/2"	6

\* NOT SHOWN.

PARTS LIST, PRESSURELESS COOKER, MODEL GSX-16HE

**FIGURE 3**



5283-4BR1

PARTS LIST, PRESSURELESS COOKER, MODEL GSX-16HE

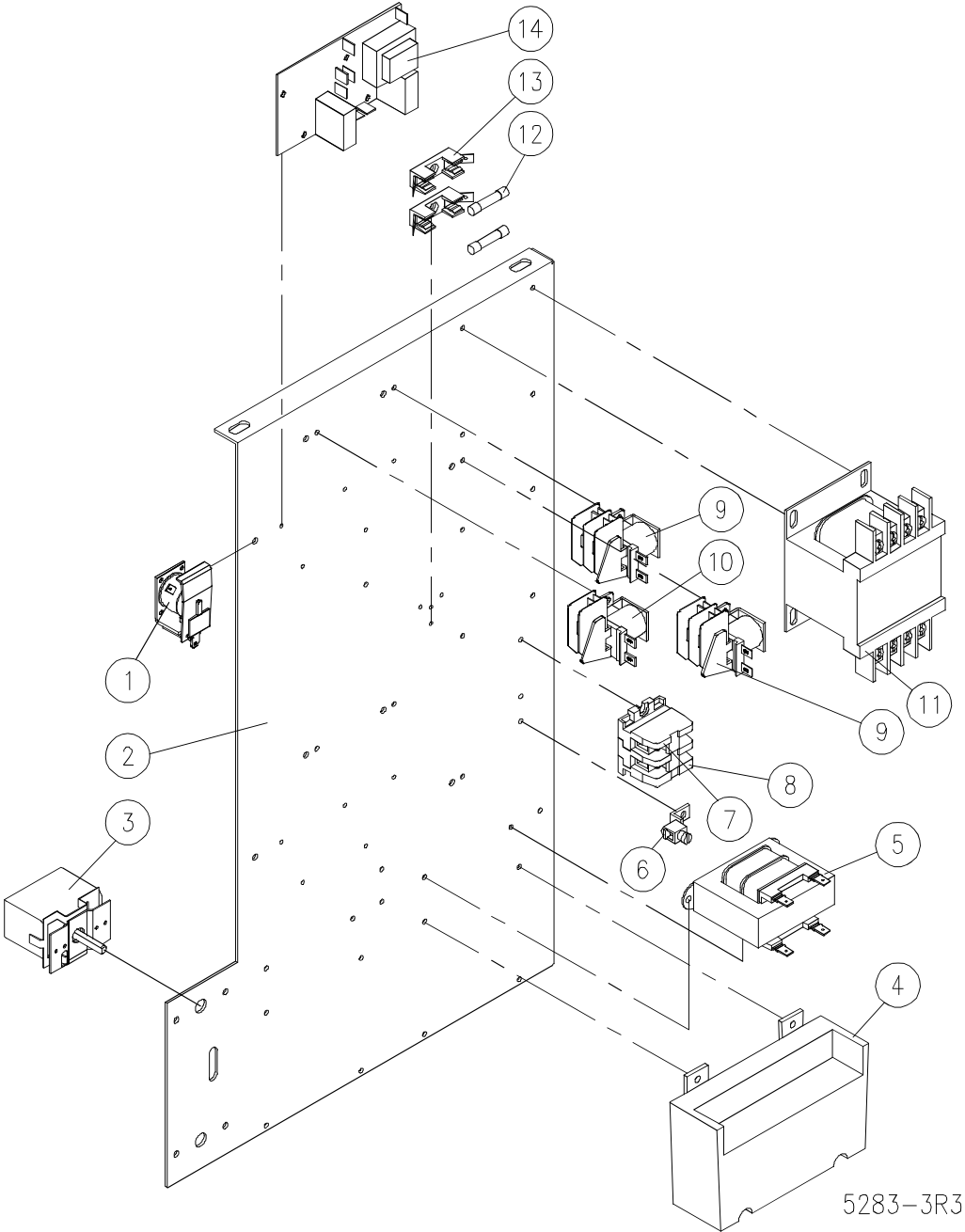
**BURNER PARTS**

<b><u>ITEM</u></b>	<b><u>PART NO.</u></b>	<b><u>DESCRIPTION</u></b>	<b><u>QUANTITY</u></b>
1	7283-1	Burner Bracket Assembly	2
2	5861-1	Bracket, Pilot Assembly	2
** 3	5171-024	Pilot Burner, Natural Gas	2
	5171-016	Pilot Burner, Propane Gas	2
4	5593-1	Burner Cover	2
5	4951-52	Orifice Jet, Natural Gas, #52	16
	4951-61	Orifice Jet, Propane Gas, #61	16
6	3-109C	Square Head Pipe Plug, 1/8" MPT	2
7	7280-1	Manifold Assembly	2
8	9011-3	Elbow, 1/2 NPT	2
9	9009-050	Nipple, 1/2 NPT x 5 LG.	2

\*\* SELECT AS REQUIRED.

PARTS LIST, PRESSURELESS COOKER, MODEL GSX-16HE

**FIGURE 4**



PARTS LIST, PRESSURELESS COOKER, MODEL GSX-16HE

**FIGURE 4**

<u>ITEM</u>	<u>PART NO.</u>	<u>DESCRIPTION</u>	<u>QUANTITY</u>	
1	3821-1	Buzzer, 120V	2	
2	7926-1	Component Mounting Board	1	
3	9126-1	Operating Thermostat	2	
4	9210-2	Ignition Module, Intermittent Pilot	1	
5	9-3383	Transformer, 115/230V - 24V CT	2	
6	4-35EU	Ground Lug	1	
7	4-22TB	Terminal Block	2	
8	4-22ES	Terminal Block End Section	1	
9	9-3175-1	Relay, SPDT, 120V	4	
10	9-3174-1	Relay, DPDT, 120V	2	
11	4-T265	Transformer, 240/480V - 120V, 50/60 Hz	2	
**	12	9092-2	Glass Fuse, 2 AMP, 120V	2
		9092-1	Glass Fuse, 1 AMP, 208-240V	2
	13	9068-1	Fuse Holder	2
**	14	4038-4	Level Control Board, 10K OHM, 120V	2
		5230-1	Level Control Board, 1 M OHM, 208-240V	4

\* NOT SHOWN.

\*\* SELECT AS REQUIRED.