



**IMPORTANT FOR FUTURE REFERENCE**

Please complete this information and retain this manual for the life of the equipment:

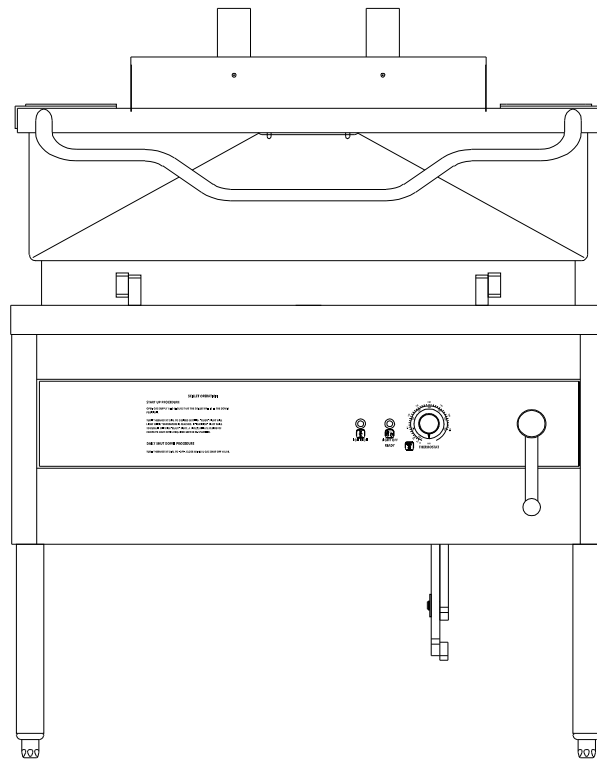
Model #: \_\_\_\_\_

Serial #: \_\_\_\_\_

Date Purchased: \_\_\_\_\_

## PARTS LIST


### Gas Floor Model Braising Pan With Manual Gearbox Tilt GS-30 GS-40 GS-40N GS-60



#### WARNING

Improper installation, adjustment, alteration, service or maintenance can cause property damage, injury or death. Read the installation, operating and maintenance instructions thoroughly before installing or servicing this equipment.

#### CROWN FOOD SERVICE EQUIPMENT

 A Middleby Company

70 Oakdale Road, Downsview (Toronto) Ontario, Canada, M3N 1V9

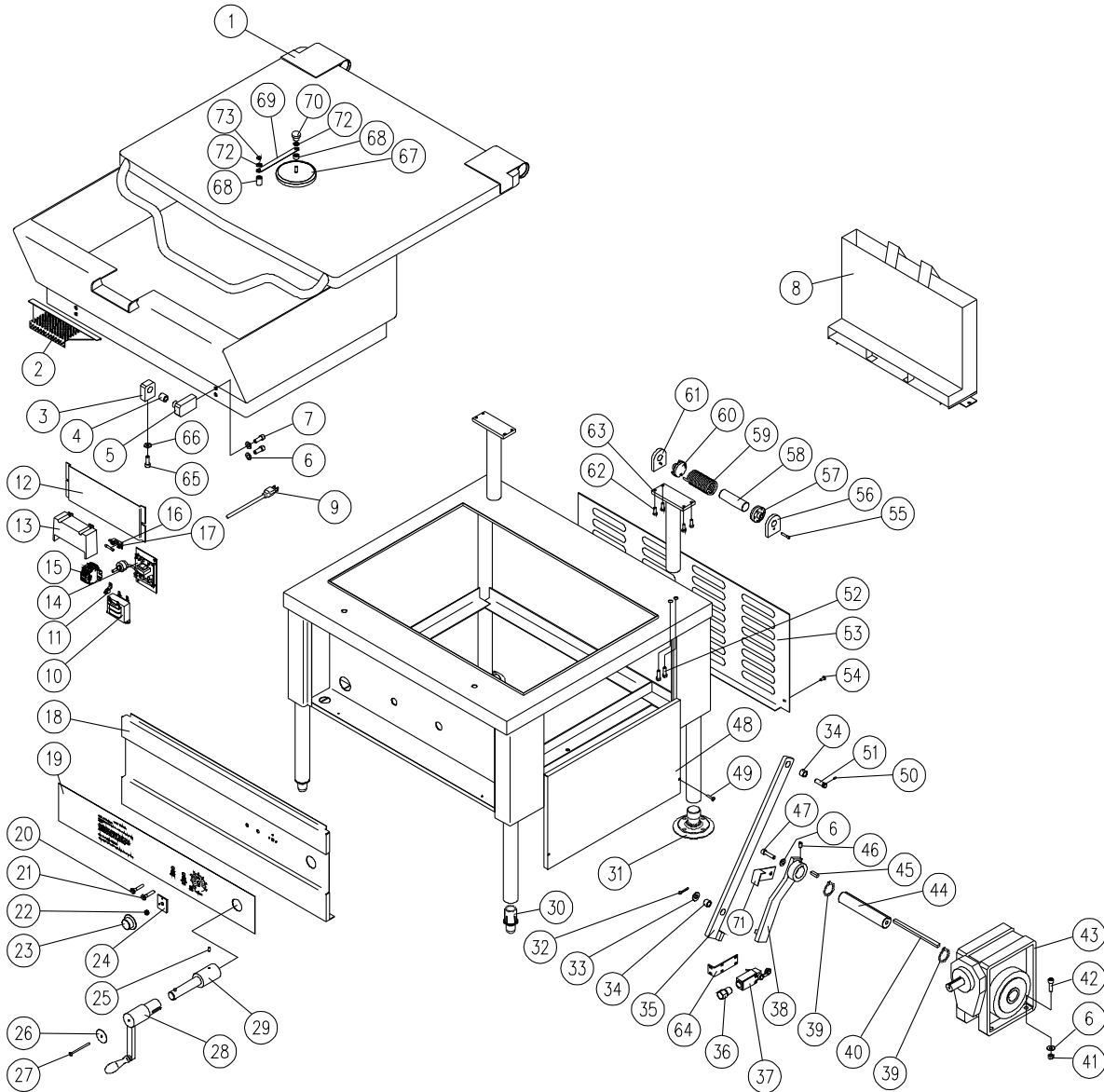
Telephone: 919-762-1000 [www.crownsteamgroup.com](http://www.crownsteamgroup.com)

Printed in Canada



PARTS LIST, GAS FLOOR MODEL BRAISING PAN WITH MANUAL GEARBOX TILT,  
GS-30, GS-40, GS-40N, GS-60

**FIGURE 1**



5634-1R4

PARTS LIST, GAS FLOOR MODEL BRAISING PAN WITH MANUAL GEARBOX TILT,  
GS-30, GS-40, GS-40N, GS-60

**FIGURE 1**

<u>ITEM</u>	<u>PART NO.</u>	<u>DESCRIPTION</u>	<u>QUANTITY</u>			
			<u>GS-30/40N</u>	<u>GS-40</u>	<u>GS-60</u>	
1.	8113-4	Pan Cover Assembly	1			
	8114-4	Pan Cover Assembly		1		
	8115-4	Pan Cover Assembly			1	
2.	7380-1	Pour Lip Strainer	1	1	1	
3.	5877-1	Base Bracket	2	2	2	
4.	3704-1	Bronze Bearing	2	2	2	
5.	5878-1	Pan Tilt Bracket, RH	1	1	1	
	5878-2	Pan Tilt Bracket, LH	1	1	1	
6.	S01X-38	Lock Washer, 3/8"	9	9	9	
7.	M68P-3816-1	Socket Head Screw, 3/8 - 16 x 1"	4	4	4	
**	8.	7385-1	Flue Assembly	1		
		7457-1	Flue Assembly		1	1
9.	4127-3	Cord Set - 120V Units	1	1	1	
10.	9-3383	Transformer, 120V - 24V	1	1	1	
	9123-1	Transformer, 230V - 24V, 50 VA, (220V Units)	1	1	1	
11.	4189-1	Ground Lug	1	1	1	
12.	7854-1	Component Mounting Plate	1	1	1	
13.	9210-2	Ignition Module, 24V	1	1	1	
14.	5555-1	Operating Temperature Control, 120V	1	1	1	
	5555-2	Operating Temperature Control, 220V	1	1	1	
15.	9390-2	Modular Terminal Assembly, 2 Poles	1	1	1	
		Includes the following parts:				

PARTS LIST, GAS FLOOR MODEL BRAISING PAN WITH MANUAL GEARBOX TILT,  
GS-30, GS-40, GS-40N, GS-60

ITEM	PART NO.	DESCRIPTION	QUANTITY			
			GS-30/40N	GS-40	GS-60	
15.	9391-1	Modular Terminal	2	2	2	
	9392-1	End Plate	1	1	2	
	9393-1	End Clamp	2	2	2	
	9394-053	Mounting Rail, 53 mm	1	1	1	
16.	9092-1	Fuse, 1 Amp., 250V	1	1	1	
17.	9068-1	Fuse Holder	1	1	1	
18.	7432-1	Control Panel	1			
	7432-2	Control Panel		1	1	
19.	7274-2	Control Decal	1	1	1	
20.	4661-1	Pilot, Ignition, Green, 24V	1	1	1	
21.	4661-8	Pilot, Temperature, Red, 24V	1	1	1	
22.	9109-1	Potentiometer Shaft Seal	1	1	1	
**	23.	4352-1	Knob (F)	1	1	1
	4689-1	Knob (C)	1	1	1	
*	3987-1	Bezel	1	1	1	
24.	3691-1	Potentiometer Spacer	1	1	1	
25.	9061-4	Set Screw, 1/4 - 20 x 1/2	1	1	1	
26.	5608-1	Decal - Tilt	1	1	1	
27.	M92S-1032-3	Screw, 10 - 32 x 3	1	1	1	
28.	5628-1	Tilt Handle Assembly	1	1	1	
	5628-2	Tilt Handle Assembly (GS-60)			1	
29.	5627-1	Input Shaft	1	1	1	
30.	5-FS64-1	Adjustable Foot	2	2	2	
31.	8-1308	Flanged Adjustable Foot	2	2	2	
32.	5329-4	Cotter Pin, 1/8 x 1 Lg.	1	1	1	

PARTS LIST, GAS FLOOR MODEL BRAISING PAN WITH MANUAL GEARBOX TILT,  
GS-30, GS-40, GS-40N, GS-60

<u>ITEM</u>	<u>PART NO.</u>	<u>DESCRIPTION</u>	<u>QUANTITY</u>			
			<u>GS-30/40N</u>	<u>GS-40</u>	<u>GS-60</u>	
33.	5647-1	Special Flat Washer, 1/2"	1	1	1	
34.	9103-2	Oilite Bushing	2	2	2	
35.	5619-1	Upper Tilt Arm	1	1	1	
36.	9176-1	Liquid Tight Connector/Strain Relief	2	2	2	
*	9176-2	Liquid Tight Lock Nut	2	2	2	
37.	9168-1	Tilt Limit Switch	1	1	1	
38.	5620-1	Lower Tilt Arm	1	1	1	
39.	9174-1	External Retaining Ring	2	2	2	
**	40.	5337-2	Key, 8 mm x 10 mm x 5 1/2"	1	1	
		5337-4	Key, 8 mm x 10 mm x 6-3/8"	1		
41.	9029-3	Hex Nut, 3/8 - 16	4	4	4	
42.	M68P-3816-114	Socket Head Screw, 3/8 - 16 x 1-1/4	4	4	4	
43.	9131-1	Gear Box	1	1	1	
**	44.	5637-1	Output Shaft	1		
		5637-2	Output Shaft		1	1
45.	5337-3	Key, 8 mm x 10 mm x 1"	1	1	1	
46.	9061-5	Set Screw, 3/8" x 16 UNC x 1/2	1	1	1	
47.	M68P-3816-112	Socket Head Screw, 3/8 - 16 NC x 1-1/2	1	1	1	
48.	7448-1	Side Access Panel	1	1	1	
49.	M33S-1032-1	Screw, 10 - 32 x 1	2	2	2	
50.	S2101N-832-516	Set Screw, 8 - 32 x 5/16	1	1	1	
51.	5624-1	Yoke Pin	1	1	1	

PARTS LIST, GAS FLOOR MODEL BRAISING PAN WITH MANUAL GEARBOX TILT,  
GS-30, GS-40, GS-40N, GS-60

ITEM	PART NO.	DESCRIPTION	QUANTITY			
			GS-30/40N	GS-40	GS-60	
52.	M50S-51618-1	Hex Head Screw, 5/16 - 18 UNC x 1	4	4	4	
*	S01X-516	Slit Lock Washer, 5/16" Diameter	4	4	4	
53.	7449-2	Rear Panel	1			
	7462-2	Rear Panel		1	1	
54.	M33S-1032-12	Screw, 10 - 32 x 1/2"	2	2	2	
55.	3725-1	Lock Pin	2	2	2	
56.	3726-1	End Lock Plate	2	2	2	
57.	5428-1	Stationary Disc	2	2	2	
58.	5430-1	Core	2	2	2	
59.	4008-1	Spring	2	2	2	
60.	5429-1	Rotary Disc	2	2	2	
61.	3727-1	End Stop Plate	2	2	2	
62.	M50S-1420-34	Screw, 1/4 - 20 x 3/4	8	8	8	
**	63.	5651-1	Hinge Support Assembly for GS-30/40	2	2	
		5651-3	Hinge Support Assembly for GS-40N	2		
		5651-2	Hinge Support Assembly for GS-60			2
64.	5635-1	Tilt Switch Bracket	1	1	1	
65.	M68P-1213-1	Socket Head Screw, 1/2 - 13 x 1"	2	2	2	
66.	S01X-12	Lock Washer, 1/2"	2	2	2	
67.	4139-1	Vent Cover	1	1	1	
68.	4355-1	Swivel Spacer	2	2	2	
69.	5817-1	Arm	1	1	1	

PARTS LIST, GAS FLOOR MODEL BRAISING PAN WITH MANUAL GEARBOX TILT,  
GS-30, GS-40, GS-40N, GS-60

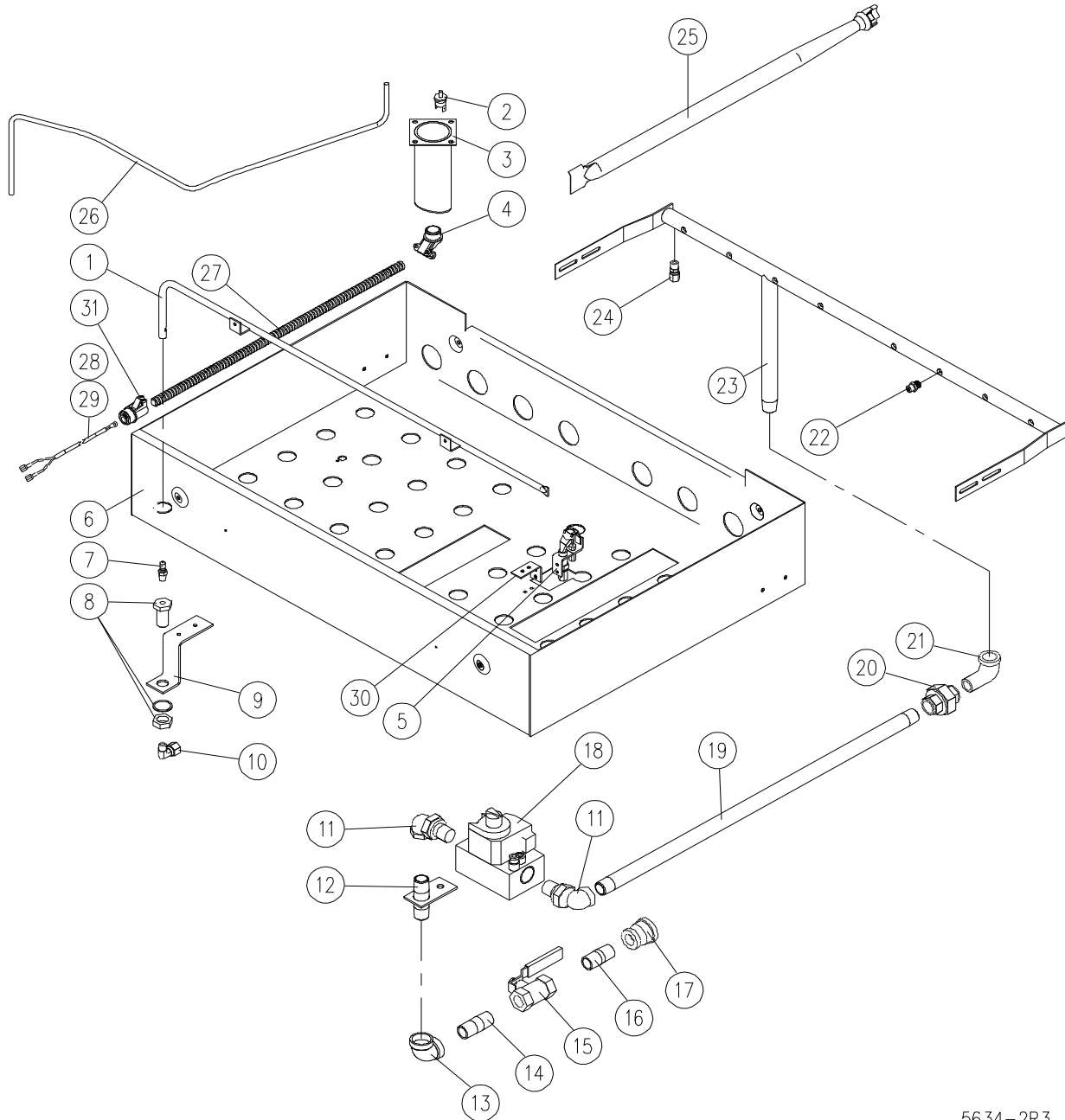
<u>ITEM</u>	<u>PART NO.</u>	<u>DESCRIPTION</u>	<u>QUANTITY</u>		
			<u>GS-30/40N</u>	<u>GS-40</u>	<u>GS-60</u>
70.	9248-1	Knob	1	1	1
71.	5767-1	Tilt Switch Cam	1	1	1
72.	F105N-14	Washer, 1/4	2	2	2
73.	9031-5	Acorn Nut, 1/4 - 20 x 3/8	1	1	1
* 74.	9214-14	Control Panel Support Chain	1	1	1

\* NOT SHOWN.

\*\* SELECT AS REQUIRED.

PARTS LIST, GAS FLOOR MODEL BRAISING PAN WITH MANUAL GEARBOX TILT,  
GS-30, GS-40, GS-40N, GS-60

**FIGURE 2**



5634-2R3

PARTS LIST, GAS FLOOR MODEL BRAISING PAN WITH MANUAL GEARBOX TILT,  
GS-30, GS-40, GS-40N, GS-60

**FIGURE 2**

<u>ITEM</u>	<u>PART NO.</u>	<u>DESCRIPTION</u>	<u>GS-30/40N</u>	<u>GS-40</u>	<u>GS-60</u>
** 1.	7393-1	Lighter Tube	1		
	7459-1	Lighter Tube		1	1
2.	4914-2	High Limit Thermostat	1	1	1
3.	5978-1	High Limit Cover	1	1	1
*	5045-1	Ceramic Fiber Insulation Liner, 5" x 4"	1	1	1
4.	9325-1	45° Connector, 1/2"	1	1	1
** 5.	5171-1	Pilot Burner, Natural Gas	1	1	1
	5171-2	Pilot Burner, Liquid Propane	1	1	1
6.	7618-1	Burner Box	1		
	7619-1	Burner Box		1	1
** 7.	3574-56	Lighter Orifice, #56, Natural Gas	1	1	1
	3574-72	Lighter Orifice, #72, LP Gas	1	1	1
8.	3-129B	Orifice Bulkhead	1	1	1
9.	5633-1	Bulkhead Bracket	1	1	1
10.	3-694A	Elbow, 1/4 C x 1/8 MPT	1	1	1
11.	3-U4BE	Union Elbow, 1/2"	2	2	2
12.	5239-1	Flange Nipple, 1/2"	1	1	1
13.	9011-3	Elbow, 1/2"	1	1	1
14.	9009-020	Nipple, 1/2" x 2"	1	1	1
15.	4918-1	Gas Shut-Off Valve	1	1	1
16.	9009-000	Close Nipple, 1/2"	1	1	1
17.	9034-1	Reducing Coupling, 3/4" x 1/2"	1	1	1
** 18.	5450-1	Gas Control, Natural Gas	1	1	1

PARTS LIST, GAS FLOOR MODEL BRAISING PAN WITH MANUAL GEARBOX TILT,  
GS-30, GS-40, GS-40N, GS-60

<u>ITEM</u>	<u>PART NO.</u>	<u>DESCRIPTION</u>	<u>GS- 30/40N</u>	<u>GS-40</u>	<u>GS-60</u>	
	5450-2	Gas Control, LP Gas	1	1	1	
19.	9009-244	Gas Supply Pipe, 1/2" x 24 - 1/2"	1	1	1	
20.	9015-3	Union, 1/2"	1	1	1	
21.	9012-3	Street Elbow, 1/2"	1	1	1	
**	22.	3598-51	Orifice #51, Natural Gas	8	10	10
		3598-60	Orifice #60, LP Gas	8	10	10
**	23.	7438-1	Manifold Assembly	1		
		7458-1	Manifold Assembly		1	1
	24.	3-684A	Connector, 1/4 CC x 1/8 MPT	1	1	1
	25.	9167-1	Burner	8	10	
**	26.	8271-1	Pilot Tube	1		
		8272-1	Pilot Tube		1	1
**	27.	9021-2210	Flexible Metal Conduit, 21"	1		
		9021-2194	Flexible Metal Conduit, 19-1/2"		1	1
	28.	9288-60	Thermocouple	1	1	1
	29.	9271-05YE300	Silicone Sleeve	1	1	1
	30.	5858-1	Bracket, Pilot Burner	1	1	1
	31.	9326-1	Straight Connector, 1/2"	1	1	1

\* NOT SHOWN.

\*\* SELECT AS REQUIRED.