



**IMPORTANT FOR FUTURE REFERENCE**

Please complete this information and retain this manual for the life of the equipment:

Model #: \_\_\_\_\_

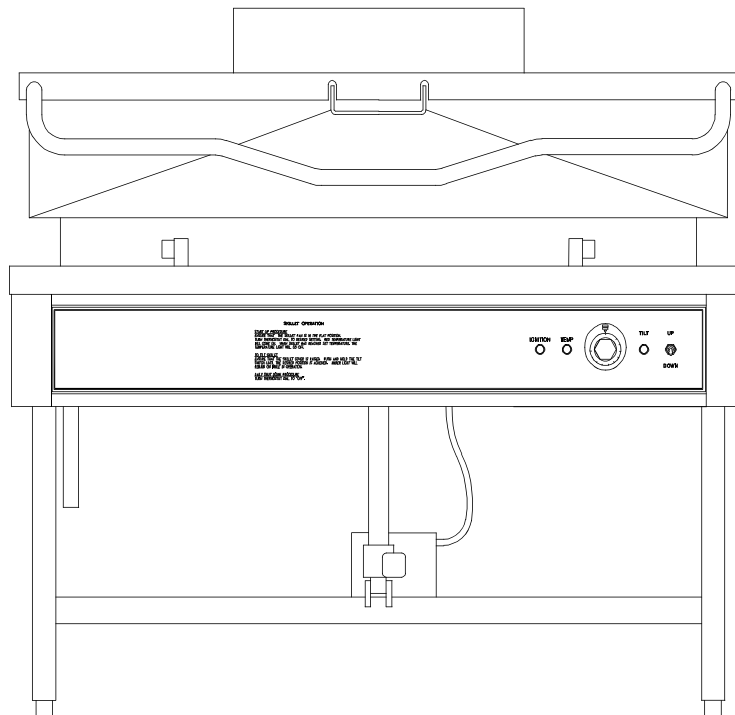
Serial #: \_\_\_\_\_

Date Purchased: \_\_\_\_\_

# PARTS LIST

## Gas Power Tilt Skillets

### GLTS-30 GLTS-40



### WARNING

Improper installation, adjustment, alteration, service or maintenance can cause property damage, injury or death. Read the installation, operating and maintenance instructions thoroughly before installing or servicing this equipment.

### CROWN FOOD SERVICE EQUIPMENT

 A Middleby Company

70 Oakdale Road, Downsview (Toronto) Ontario, Canada, M3N 1V9

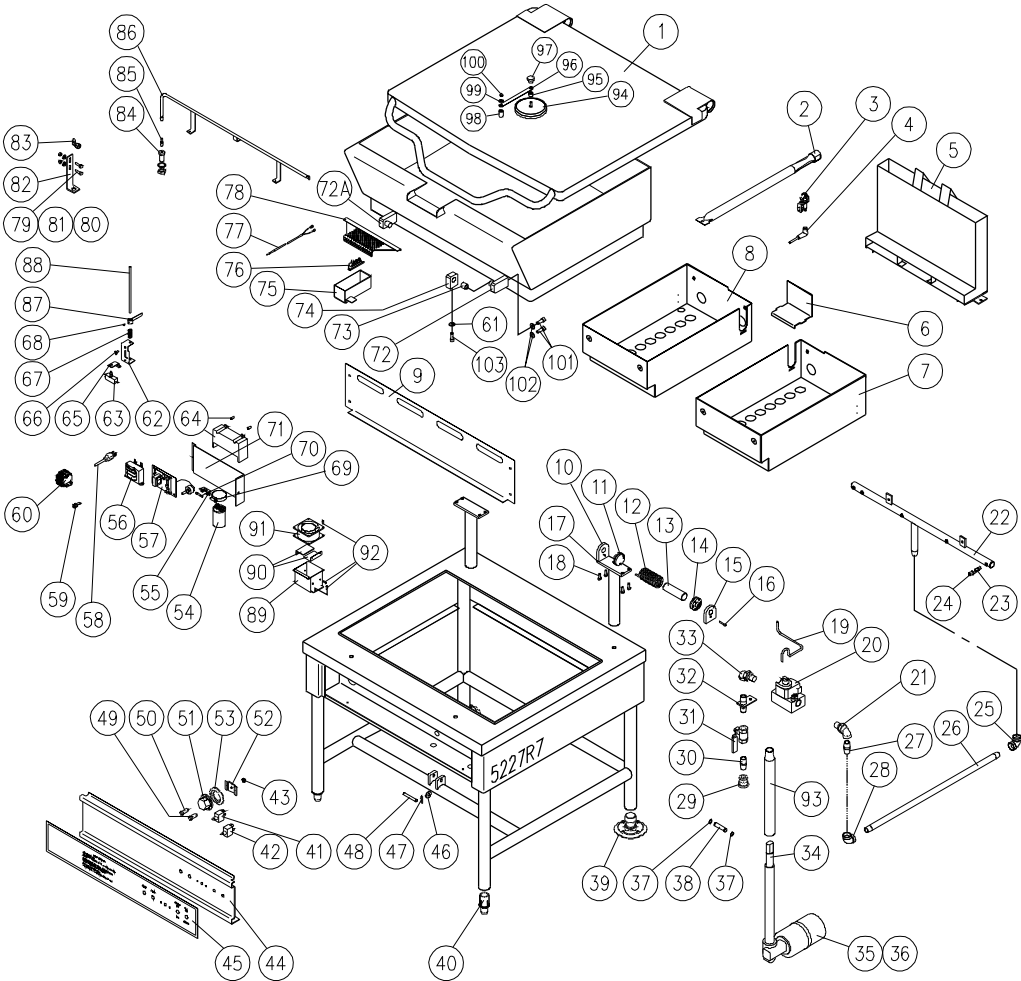
Telephone: 919-762-1000 [www.crownsteamgroup.com](http://www.crownsteamgroup.com)

Printed in Canada



PARTS LIST, GAS TILTING SKILLETS, MODELS GLTS-30, GLTS-40

FIGURE 1



PARTS LIST, GAS TILTING SKILLET, MODELS GLTS-30, GLTS-40

**FIGURE 1**

<u>ITEM</u>	<u>PART NO.</u>	<u>DESCRIPTION</u>	<u>QUANTITY</u>	
			<u>GLTS-30</u>	<u>GLTS-40</u>
1.	8113-4	Pan Cover Assembly	1	
	8114-4	Pan Cover Assembly		1
2.	7227-1	Burner	4	6
**	9-3380	Pilot Complete With Spark Ignitor, Natural Gas	1	1
	9-3380-1	Pilot Complete With Spark Ignitor, Propane	1	1
4.	5169-2	Ignition Cable	1	1
5.	6891-1	Flue Assembly	1	
	6888-1	Flue Assembly		1
6.	4872-1	Compartment Spacer	1	1
7.	7126-1	Right Hand Burner Compartment	1	
	7128-1	Right Hand Burner Compartment		1
8.	7125-1	Left Hand Burner Compartment	1	
	7127-1	Left Hand Burner Compartment		1
9.	6897-1	Back Panel	1	
	6898-1	Back Panel		1
10.	8-2021	End Stop Plate	2	2
11.	5429-1	Rotary Disc	2	2
12.	8-2026	Spring	2	2
13.	5430-1	Core	2	2
14.	5428-1	Stationary Disc	2	2
15.	8-2035L	End Lock Plate	2	2
16.	8-2029	Lock Pin	2	2

PARTS LIST, GAS TILTING SKILLETS, MODELS GLTS-30, GLTS-40

<u>ITEM</u>	<u>PART NO.</u>	<u>DESCRIPTION</u>	<u>QUANTITY</u>		
			<u>GLTS-30</u>	<u>GLTS-40</u>	
17.	5651-1	Hinge Support Assembly	2	2	
18.	M50S-1420-34	Hex HD Screw, 1/4 - 20 x 3/4"	8	8	
19.	5724-1	Pilot Burner Tube, 30 gallon	1		
	5724-2	Pilot Burner Tube, 40 gallon		1	
**	20.	5450-1	Combination Gas Control, Natural Gas	1	1
		5450-2	Combination Gas Control, LP	1	1
21.	4446-1	Union Elbow Assembly, 1/2"	1	1	
22.	2432-1	Gas Manifold Assembly	1		
	1189-1	Gas Manifold Assembly		1	
23.	3-122A	Orifice Nipple	4	6	
**	24.	9-3351-44	Burner Orifice, Natural Gas	4	
		9-3351-47	Burner Orifice, Natural Gas		6
		9-3351-55	Burner Orifice, LP	4	
		9-3351-56	Burner Orifice, LP		6
25.	9011-3	90° Elbow, 1/2"	1	1	
26.	9009-274	Pipe, 1/2" x 27-1/2"	1	1	
27.	9009-014	Nipple, 1/2" x 1-1/2"	1	1	
28.	9011-3	90° Elbow, 1/2"	1	1	
29.	9034-1	Reducing Coupling, 3/4" x 1/2"	1	1	
30.	9009-000	Close Nipple, 1/2"	1	1	
31.	4918-1	Gas Shut Off Valve	1	1	
32.	5239-1	Nipple with Flange, 1/2" x 2-1/2"	1	1	
33.	3-U4BE	Union Elbow, 1/2"	1	1	
**	34.	5526-1	Ball Drive Actuator Assembly, 115V (Includes 35, 36, 93)	1	1

PARTS LIST, GAS TILTING SKILLETS, MODELS GLTS-30, GLTS-40

<u>ITEM</u>	<u>PART NO.</u>	<u>DESCRIPTION</u>	<u>QUANTITY</u>	
			<u>GLTS-30</u>	<u>GLTS-40</u>
	5525-1	Ball Drive Actuator Assembly, 220V (Includes 35, 36, 93)	1	1
**	35. 9-3329	Motor 115V	1	1
	9-3326	Motor 220V	1	1
	36. 4267-1	Motor Cover	1	1
	37. 1-R350	Retaining Ring	2	2
	38. 4062-1	Yoke Pin	1	1
*	4060-1	Bushing	2	2
	39. 8-1308	Adjustable Foot-Flanged	2	2
	40. 5-FS64-1	Adjustable Foot	2	2
	41. 9110-1	Power Switch	1	1
	42. 9111-1	Up/Down Switch	1	1
	43. 9109-2	Rotary Shaft Seal	1	1
	44. 2527-1	Control Panel	1	
	2609-1	Control Panel		1
	45. 6854-2	Control Panel Label	1	
	6855-2	Control Panel Label		1
	46. 9078-2	Washer, 1" Diameter x 3/8 OD	1	1
	47. 5329-2	Cotter Pin, 1/8 x 3/4 S.S.	1	1
	48. 3733-1	Pin Lower	1	1
	49. 5396-8	Pilot Light - Temperature, Red	1	1
	50. 5396-7	Pilot Light - Ignition, Green	1	1
**	51. 4352-1	Dial F°	1	1
	4689-1	Dial C°	1	1
	52. 3691-1	Pot Spacer	1	1

PARTS LIST, GAS TILTING SKILLETS, MODELS GLTS-30, GLTS-40

<u>ITEM</u>	<u>PART NO.</u>	<u>DESCRIPTION</u>	<u>QUANTITY</u>		
			<u>GLTS-30</u>	<u>GLTS-40</u>	
53.	4-TB05	Bezel	1	1	
**	54.	9-3327	Capacitor 30 MFD, 120V	1	1
		9-3324	Capacitor 10 MFD, 220V	1	1
55.	9068-1	Fuse Holder	1	1	
**	56.	9-3383	Transformer, 120V-24V	1	1
		9123-1	Transformer, 230V-24V, 50VA, (220V Units)	1	1
**	57.	5555-1	Temperature Control complete with Potentiometer, 120V	1	1
		5555-2	Temperature Control complete with Potentiometer, 240V	1	1
58.	4127-3	Power Cord - 120V Only	1	1	
59.	4-35EU	Ground Lug	1	1	
60.	9390-2	Terminal Block Assembly, 2 Pole	1	1	
		Includes the following parts:			
		9391-1	Modular Terminal	2	2
		9392-1	End Plate	1	1
		9393-1	End Clamp	2	2
		9394-053	Mounting Rail	1	1
61.	S01X-12	Lock Washer, 1/2"	2	2	
62.	5415-1	Switch Mounting Bracket	1	1	
63.	9-3213	Limit Switch	1	1	
64.	9210-2	Ignition Module	1	1	
		9082-4	Phenolic Spacer, # 8 x 1/2"	2	2
65.	5416-1	Switch Bracket	1	1	
66.	M33S-1024-38	Machine Screw, 10-24 x 3/8"	2	2	

PARTS LIST, GAS TILTING SKILLETS, MODELS GLTS-30, GLTS-40

<u>ITEM</u>	<u>PART NO.</u>	<u>DESCRIPTION</u>	<u>QUANTITY</u>	
			<u>GLTS-30</u>	<u>GLTS-40</u>
67.	5419-1	Spring	1	1
68.	9061-12	Set Screw, 8-32 x 3/16	1	1
69.	9017-5	Gear Clamp	1	1
70.	9092-1	Fuse - 1 Amp, 250V	1	1
71.	4471-1	Control Mounting Plate	1	1
72.	5878-1	Pan Bracket Assembly, RH	1	1
72A.	5878-2	Pan Bracket Assembly, LH	1	1
73.	3704-1	Bushing	2	2
74.	5877-1	Bracket Assembly	2	2
75.	2426-2	High-Limit Box	1	1
76.	9-3021	High-Limit Safety Thermostat	1	1
77.	9288-60	Thermocouple	1	1
*	9351-06BK310	Sleeve, High Limit and Thermocouple	1	1
78.	7380-1	Strainer	1	1
79.	M50C-1420-12	Hex Cap Screw, 1/4-20 x 1/2	2	2
80.	S01X-14	Lock Washer, 1/4"	2	2
81.	9029-1	Hex Nut, 1/4 - 20	2	2
82.	3991-1	Lighter Orifice Bracket	1	1
83.	3-694A	Elbow, 1/4 cc x 1/8 MPT	1	1
84.	3-1495BA	Terminal Bolt, Brass	1	1
**	9-3335-56	Lighter Orifice, Natural Gas	1	1
	9-3335-65	Lighter Orifice, LP	1	
	9-3335-72	Lighter Orifice, LP		1
86.	6350-2	Lighter Tube	1	
	6351-2	Lighter Tube		1

PARTS LIST, GAS TILTING SKILLETS, MODELS GLTS-30, GLTS-40

<u>ITEM</u>	<u>PART NO.</u>	<u>DESCRIPTION</u>	<u>QUANTITY</u>		
			<u>GLTS-30</u>	<u>GLTS-40</u>	
87.	5418-1	Switch Actuator	1	1	
88.	5417-1	Actuator Rod	1	1	
89.	7229-1	Fan Bracket	1	1	
90.	5410-1	Deflector	2	2	
**	91.	9113-1	Box Fan, 120V	1	1
		9113-2	Box Fan, 240V	1	1
92.	M23C-632-14	Machine Screw, 6-32 x 1/4"	10	10	
93.	5400-1	Lift Jack Extension Shield	1	1	
94.	4139-1	Vent Cover	1	1	
95.	4355-1	Swivel Spacer	1	1	
96.	5817-1	Arm	1	1	
97.	9248-1	Knob	1	1	
98.	4355-1	Swivel Base	1	1	
99.	F05N-14	Washer, 1/4 SS	1	1	
100.	9031-5	Acorn Nut, 1/4-20 x 3/8 SS	1	1	
101.	M68P-3816-1	Hex Socket Head Screw, 3/8-16 x 1	4	4	
102.	S01X-38	Split Lock Washer, 3/8	4	4	
103.	M68P-1213-1	Hex Socket HD Screw, 1/2-13 NC x 1	2	2	

\* NOT SHOWN.

\*\* SELECT AS REQUIRED.