



**IMPORTANT FOR FUTURE REFERENCE**

Please complete this information and retain this manual for the life of the equipment:

Model #: \_\_\_\_\_

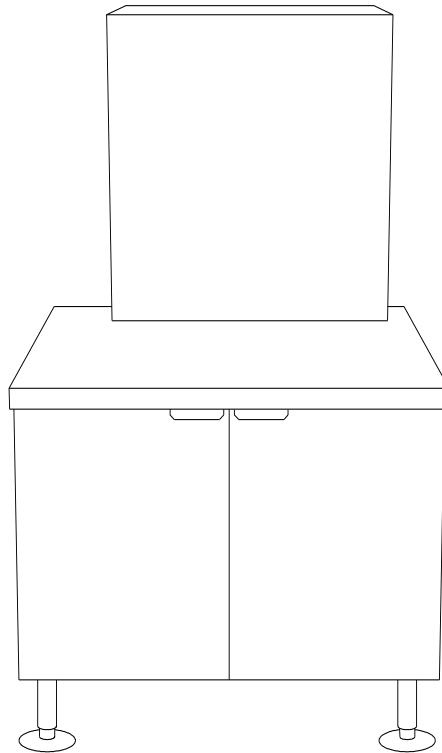
Serial #: \_\_\_\_\_

Date Purchased: \_\_\_\_\_

## PARTS LIST

### Gas Fired Steam Generator in Cabinet Base


### CG-320(E) CG-325(E) CG-330(E)



#### WARNING

Improper installation, adjustment, alteration, service or maintenance can cause property damage, injury or death. Read the installation, operating and maintenance instructions thoroughly before installing or servicing this equipment.

#### CROWN FOOD SERVICE EQUIPMENT

 A Middleby Company

70 Oakdale Road, Downsview (Toronto) Ontario, Canada, M3N 1V9

Telephone: 919-762-1000

[www.crownsteamgroup.com](http://www.crownsteamgroup.com)

Printed in Canada

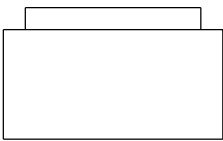
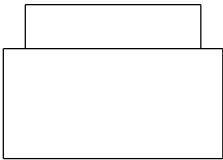
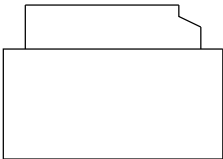
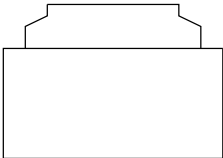
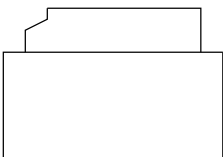


**PARTS LIST, GAS BOILERS,  
MODELS: CG320 (E), CG325 (E), CG330 (E)**

**FIGURE 1**

**GAS BOILER SHELLS, 24" WIDE**

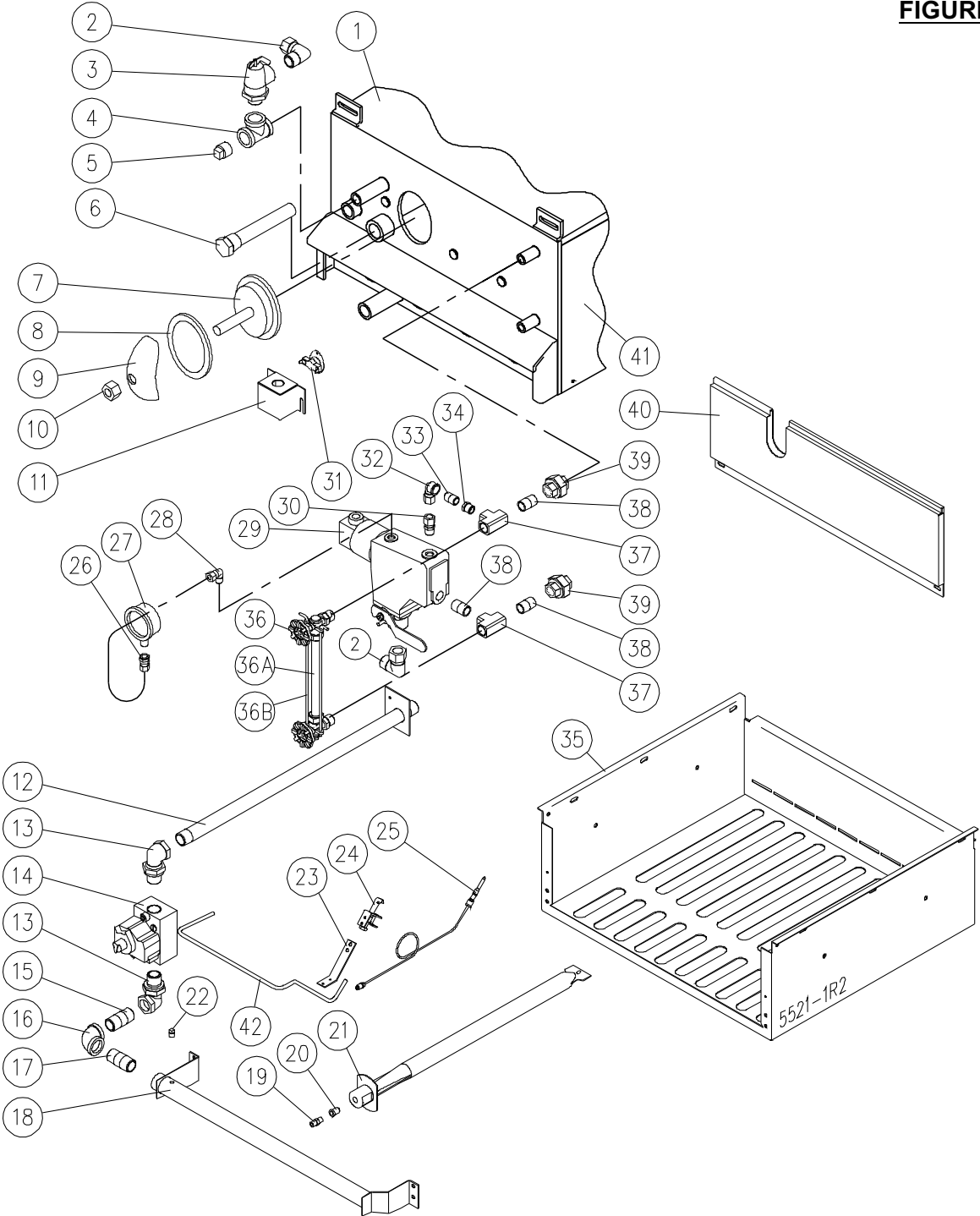
(Choose replacement boiler shell based on description and shape of flue as illustrated in the diagrams. Illustrations are based on front view of the boiler when looking at front of unit.)

| <u>ITEM</u> | <u>PART NO.</u>   | <u>DESCRIPTION</u>   |
|-------------|-------------------|--|
| 1           | 8-6014 (6779-1)   |  <p>200,000, 250,000, 300,000 BTU<br/>USED ON ALL COOKERS IN<br/>36" CABINET BASE OR LARGER.<br/>ALSO BOILER BASE UNITS.<br/>I.E. CG320, CG325</p>  |
| 2           | 8-6014-1 (6780-1) |  <p>200,000, 250,000, 300,000 BTU<br/>USED ON UNITS THAT HAVE A 6 GAL.<br/>DIRECT STEAM KETTLE MOUNTED<br/>ON THE CABINET WITH THE COOKER.<br/>I.E. GC-2-6, GCX-2-6, GCX10-6<br/>OR A GMT-10-6</p>                   |
| 3           | 8-6014-2 (6781-1) |  <p>200,000, 250,000, 300,000 BTU<br/>USED ON UNITS THAT HAVE A 10 GAL.<br/>DIRECT STEAM KETTLE MOUNTED<br/>ON THE RIGHT HAND SIDE OF THE<br/>CABINET WITH A COOKER.<br/>I.E. GCX-2-10, GC-2-10,<br/>GCX-2-10-6</p> |
| 4           | 8-6014-3 (6782-1) |  <p>200,000, 250,000, 300,000 BTU<br/>USED ON GMT-10-10</p>   |
| 5           | 8-6014-4 (6782-2) |  <p>200,000, 250,000, 300,000 BTU<br/>USED ON GMT-10-6 ON A 42"<br/>CABINET BASE.</p>   |

5442-5R1

PARTS LIST, GAS BOILERS,  
 MODELS: CG320 (E), CG325 (E), CG330 (E)

**FIGURE 2**



PARTS LIST, GAS BOILERS,  
MODELS: CG320 (E), CG325 (E), CG330 (E)

**FIGURE 2**

| <u>ITEM</u> | <u>PART NO.</u> | <u>DESCRIPTION</u>       | <u>CG320</u>   | <u>CG325</u> | <u>CG330</u> |   |
|-------------|-----------------|--------------------------|--|--------------|--------------|---|
| 1.          | 9-3112          | Top Insulation Cover     | 1  | 1            | 1            |   |
| 2.          | 3-6912E         | Elbow, 3/4C x 3/4 MPT    | 1  | 1            | 1            |   |
| 3.          | 3-SRV3          | Safety Relief Valve      | 1  | 1            | 1            |   |
| 4.          | 9013-4          | Tee, 3/4 FPT             | 1  | 1            | 1            |   |
| 5.          | 9035-5          | Square Head Plug 3/4 MPT | 1  | 1            | 1            |   |
| **          | 6.              | 9-3441                   | Anode, 1" NPT x 6"                                       | 1            | 1            | 1 |
| *           |                 | 8-6011                   | Anode (Hanging)  | 1            | 1            | 1 |
| 7.          | 8-1922          | Hand Hole Cover Plate    | 1  | 1            | 1            |   |
| 8.          | 8-1923          | Hand Hole Gasket         | 1  | 1            | 1            |   |
| 9.          | 8-1924          | Yoke                     | 1  | 1            | 1            |   |
| 10.         | HN01N-3816      | Nut                      | 1  | 1            | 1            |   |
| 11.         | 4079-1          | High Limit Box           | 1  | 1            | 1            |   |
| 12.         | 5522-1          | Gas Supply Pipe Assembly | 1  | 1            | 1            |   |
| 13.         | 3-U6BE          | Union Elbow, 3/4"        | 2  | 2            | 2            |   |
| **          | 14.             | 6-36C0                   | Combination Gas Control,<br>Natural                      | 1            | 1            | 1 |
|             |                 | 6-36C0-1                 | Combination Gas Control, LP                              | 1            | 1            | 1 |
|             |                 | 5447-1                   | Combination Gas Control,<br>Natural, Electronic Ignition | 1            | 1            | 1 |
|             |                 | 5447-2                   | Combination Gas Control LP,<br>Electronic Ignition       | 1            | 1            | 1 |
| 15.         | 9010-030        | Nipple, 3/4 x 3"         | 1  | 1            | 1            |   |
| 16.         | 9011-4          | Elbow, 3/4"              | 1  | 1            | 1            |   |
| 17.         | 9010-024        | Nipple, 3/4 x 2-1/2      | 1  | 1            | 1            |   |
| **          | 18.             | 2236-1                   | Manifold Assembly  | 1            | 1            |   |
|             |                 | 2920-1                   | Manifold Assembly  |              |              | 1 |

PARTS LIST, GAS BOILERS,  
MODELS: CG320 (E), CG325 (E), CG330 (E)

| <u>ITEM</u> | <u>PART NO.</u> | <u>DESCRIPTION</u>            | <u>CG320</u>   | <u>CG325</u> | <u>CG330</u> |   |
|-------------|-----------------|-------------------------------|--|--------------|--------------|---|
| 19.         | 3-122A          | Hex Nipple                    | 8  | 10           | 8            |   |
| **          | 20.             | 9-3351-39                     | Orifice, Natural Gas, #39                            | 8            | 10           |   |
|             |                 | 9-3351-34                     | Orifice, Natural Gas, #34                            |              |              | 8 |
|             |                 | 9-3351-52                     | Orifice, LP Gas, #52                                 | 8            | 10           |   |
|             |                 | 9-3351-50                     | Orifice, LP Gas, #50                                 |              |              | 8 |
| **          | 21.             | 8-1407                        | Burner Complete With Bracket                         | 1            | 1            |   |
|             |                 | 8-1406                        | Burner   | 7            | 9            |   |
|             |                 | 2936-1                        | Burner   |              |              | 8 |
|             |                 | 8-1407-1                      | Burner Complete with Bracket,<br>Electronic Ignition | 1            | 1            |   |
|             | 22.             | 9035-1                        | Pipe Plug, 1/8 MPT                                   | 1            | 1            | 1 |
|             | 23.             | 4058-1                        | Pilot Mounting Bracket                               |              |              | 1 |
| **          | 24.             | 6-36PB                        | Pilot Burner, Natural                                | 1            | 1            | 1 |
|             |                 | 6-36PB-1                      | Pilot Burner, LP                                     | 1            | 1            | 1 |
|             |                 | 9-3380                        | Pilot/Ignitor Natural, Electronic                    | 1            | 1            | 1 |
|             |                 | 9-3380-1                      | Pilot/Ignitor LP, Electronic<br>Ignition             | 1            | 1            | 1 |
|             | 25.             | 6-36TB                        | Thermocouple   | 1            | 1            | 1 |
|             | 26.             | 3-666B                        | Connector 3/8C x MPT                                 | 1            | 1            | 1 |
|             | 27.             | 3-PG30                        | Pressure Gauge                                       | 1            | 1            | 1 |
|             | 28.             | 3-696B                        | Elbow, 3/8 C x 1/4 MPT                               | 1            | 1            | 1 |
|             | 29.             | 4-WC67                        | Water Level Control                                  | 1            | 1            | 1 |
|             |                 | Includes the following parts: |  |              |              |   |
| *           |                 | 8-6023                        | Float  | 1            | 1            | 1 |
| *           |                 | 8-6022                        | Switch   | 1            | 1            | 1 |
| *           |                 | 8-6020                        | Round Gasket   | 1            | 1            | 1 |

PARTS LIST, GAS BOILERS,  
MODELS: CG320 (E), CG325 (E), CG330 (E)

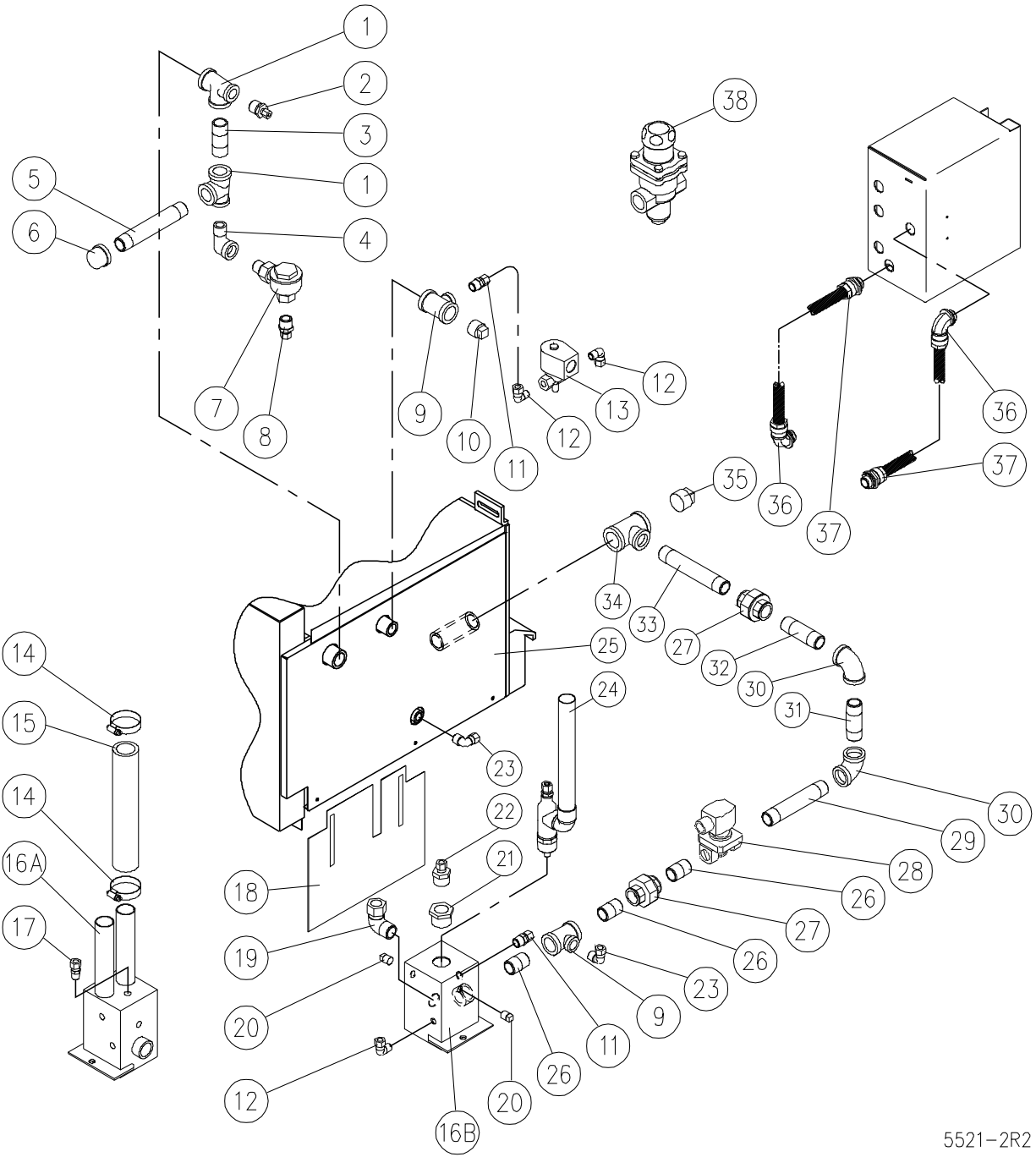
| <u>ITEM</u> | <u>PART NO.</u> | <u>DESCRIPTION</u>           | <u>CG320</u>                    | <u>CG325</u> | <u>CG330</u> |   |
|-------------|-----------------|------------------------------|---------------------------------|--------------|--------------|---|
| *           | 8-6021          | Square Gasket                | 1                               | 1            | 1            |   |
| *           | 8-6026          | Blowdown Valve               | 1                               | 1            | 1            |   |
| 30.         | 3-688C          | Connector, 1/2C x 3/8 MPT    | 1                               | 1            | 1            |   |
| 31.         | 4874-1          | High Limit Thermostat, 500°F | 1                               | 1            | 1            |   |
| 32.         | 3-708C          | Elbow, 1/2C x 3/8 FPT        | 1                               | 1            | 1            |   |
| 33.         | 9091-000        | Close Nipple, 3/8 Brass      | 1                               | 1            | 1            |   |
| 34.         | 3-110DC         | Bushing, 1/2 MPT x 3/8 FPT   | 1                               | 1            | 1            |   |
| **          | 35.             | 9-3111                       | Burner Box                      | 1            | 1            |   |
|             |                 | 6827-1                       | Burner Box                      |              |              | 1 |
|             | 36.             | 5395-1                       | Water Gauge Valves              | 1            | 1            | 1 |
|             | 36A.            | 9108-3                       | Water Gauge Glass, 5/8 x 5"     | 1            | 1            | 1 |
|             | 36B.            | 8-6016                       | Rod                             | 2            | 2            | 2 |
| *           | 36C.            | 8-6018                       | Rubber Washer                   | 2            | 2            | 2 |
| *           | 36D.            | 8-6019                       | Brass Washer                    | 2            | 2            | 2 |
|             | 37.             | 3-X101D                      | Tee, 1/2 NPT                    | 1            | 1            | 1 |
|             | 38.             | 9072-000                     | Close Nipple, 1/2 NPT           | 1            | 1            | 1 |
|             | 39.             | 3-104D                       | Union Coupling, 1/2 NPT         | 1            | 1            | 1 |
|             | 40.             | 5663-2                       | Front Insulation Cover          | 1            | 1            | 1 |
|             | 41.             | 9-3113                       | Right Hand Insulation Cover     | 1            | 1            | 1 |
| **          | 42.             | 5958-1                       | Pilot Tube, Electronic Ignition | 1            | 1            |   |
|             |                 | 5959-1                       | Pilot Tube, Electronic Ignition |              |              | 1 |
|             |                 | 5960-1                       | Pilot Tube, Standing Pilot      | 1            | 1            |   |
|             |                 | 5961-1                       | Pilot Tube, Standing Pilot      |              |              | 1 |

\* NOT SHOWN.

\*\* SELECT AS REQUIRED.

PARTS LIST, GAS BOILERS,  
 MODELS: CG320 (E), CG325 (E), CG330 (E)

**FIGURE 3**



5521-2R2

PARTS LIST, GAS BOILERS,  
MODELS: CG320 (E), CG325 (E), CG330 (E)

**FIGURE 3**

| <u>ITEM</u> | <u>PART NO.</u> | <u>DESCRIPTION</u>         | <u>CG320</u>                 | <u>CG325</u> | <u>CG330</u> |   |
|-------------|-----------------|----------------------------|------------------------------|--------------|--------------|---|
| 1.          | 9013-12         | Tee, 3/4 x 1/2 x 3/4       | 2                            | 2            | 2            |   |
| 2.          | 3-684D          | Connector, 1/4 C x 1/2 MPT | 1                            | 1            | 1            |   |
| 3.          | 9010-024        | Nipple, 3/4 x 2-1/2        | 1                            | 1            | 1            |   |
| 4.          | 9012-3          | Street Elbow, 1/2          | 1                            | 1            | 1            |   |
| 5.          | 9090-060        | Nipple, 3/4 x 6            | 1                            | 1            | 1            |   |
| 6.          | 9067-2          | Pipe Cap, 3/4              | 1                            | 1            | 1            |   |
| 7.          | 9170-1          | Steam Trap, 1/2 NPT        | 1                            | 1            | 1            |   |
| 8.          | 3-686D          | Connector, 3/8C x 1/2 MPT  | 1                            | 1            | 1            |   |
| 9.          | 9013-6          | Tee, 3/4 x 3/4 x 3/8       | 1                            | 1            | 1            |   |
| 10.         | 9035-5          | Pipe Plug, 3/4             | 1                            | 1            | 1            |   |
| 11.         | 3-686C          | Connector, 3/8C x 3/8 MPT  | 2                            | 2            | 2            |   |
| 12.         | 3-696B          | Elbow, 3/8C x 1/4 MPT      | 2                            | 2            | 2            |   |
| 13.         | 3-S263          | Override Solenoid          | 1                            | 1            | 1            |   |
| 14.         | 9017-5          | Gear Clamp                 | 4                            | 4            | 4            |   |
| **          | 15.             | 9-3296                     | Drain Hose, 1-1/4 I.D. x 10" | 2            | 2            | 2 |
|             |                 | 9-3296-1                   | Drain Hose, 1-1/4 I.D. x 20" | 2            | 2            | 2 |
|             |                 | 9-3296-2                   | Drain Hose, 1-1/4 I.D x 15"  | 2            | 2            | 2 |
| **          | 16.             | 6474-1                     | Drain (Pressureless)         | 1            | 1            | 1 |
|             |                 | 6475-1                     | Drain (Boilers, Cookers)     | 1            | 1            | 1 |
| 17.         | 3-686B          | Connector 3/8C x 1/4 MPT   | 1                            | 1            | 1            |   |
| 18.         | 3943-1          | Baffle Plate               | 1                            | 1            |              |   |
| 19.         | 3-6912E         | Elbow, 3/4C x 3/4 MPT      | 1                            | 1            | 1            |   |
| 20.         | 9035-2          | Pipe Plug, 1/4 NPT         | 1                            | 1            | 1            |   |

PARTS LIST, GAS BOILERS,  
MODELS: CG320 (E), CG325 (E), CG330 (E)

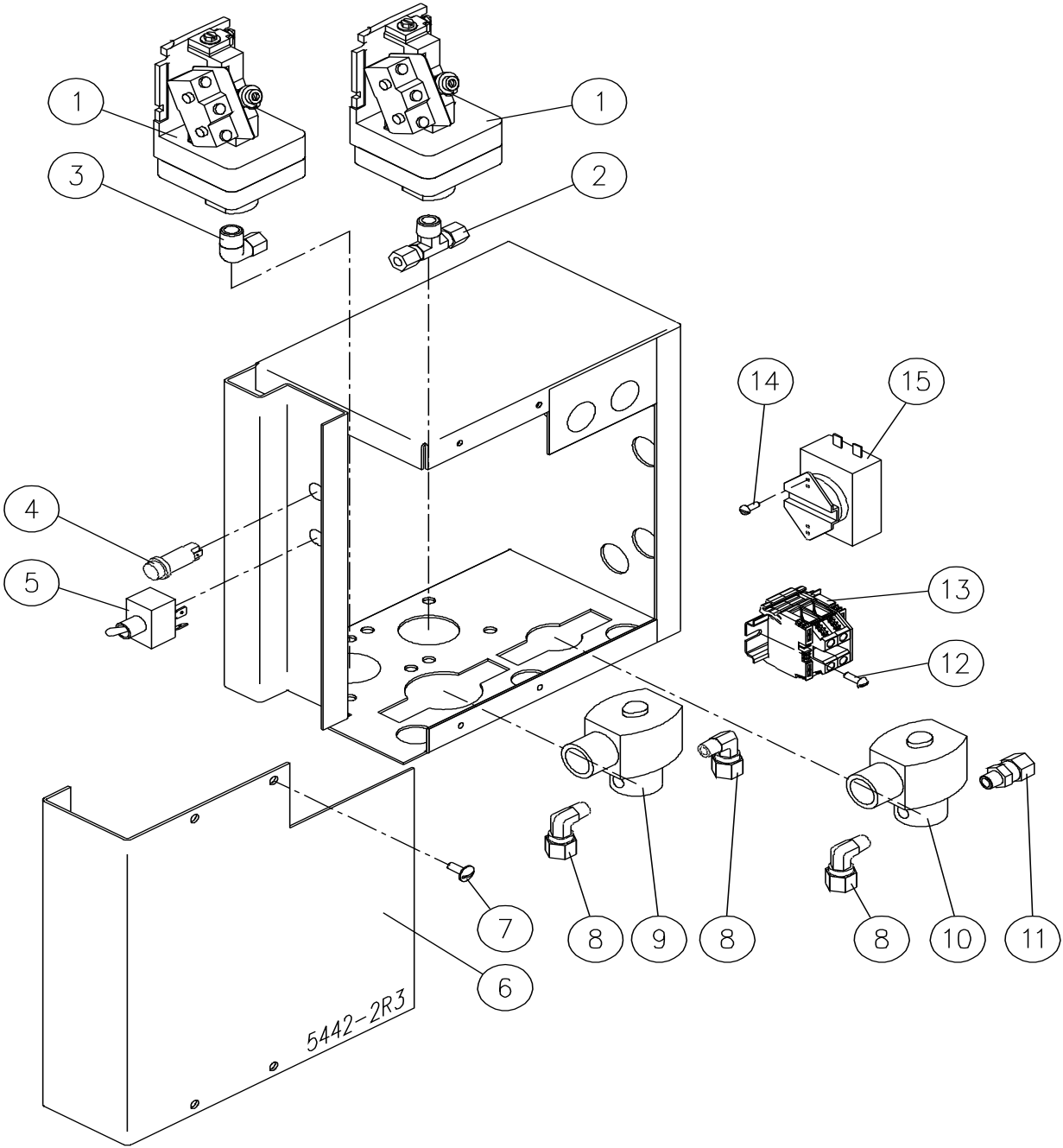
| <u>ITEM</u> | <u>PART NO.</u> | <u>DESCRIPTION</u>            | <u>CG320</u>              | <u>CG325</u> | <u>CG330</u> |   |
|-------------|-----------------|-------------------------------|---------------------------|--------------|--------------|---|
| 21.         | 9033-1          | Reducing Bushing, 1 x 3/4 NPT | 1                         | 1            | 1            |   |
| 22.         | 3-686E          | Connector, 3/8 C x 3/4 MPT    | 1                         | 1            | 1            |   |
| 23.         | 3-696C          | Elbow, 3/8C x 3/8 MPT         | 1                         | 1            | 1            |   |
| 24.         | 5388-1          | Drain (Pressure Cookers)      | 1                         | 1            | 1            |   |
| 25.         | 9-3114          | Left Hand Insulation Cover    | 1                         | 1            | 1            |   |
| 26.         | 9010-000        | Close Nipple, 3/4             | 3                         | 3            | 3            |   |
| 27.         | 9015-4          | Union, 3/4 NPT                | 2                         | 2            | 2            |   |
| ** *        | 28.             | 3-BVE0                        | Ball Valve, 3/4           | 1            | 1            | 1 |
|             |                 | 3-S567                        | Solenoid Valve, Optional  | 1            | 1            | 1 |
| 29.         | 9010-044        | Nipple 3/4 x 4-1/2"           | 1                         | 1            | 1            |   |
| 30.         | 9011-4          | Elbow, 3/4                    | 2                         | 2            | 2            |   |
| 31.         | 9010-040        | Nipple, 3/4 x 4"              | 1                         | 1            | 1            |   |
| 32.         | 9010-032        | Nipple, 3/4 x 3-1/4"          | 1                         | 1            | 1            |   |
| 33.         | 9010-060        | Nipple, 3/4 x 6"              | 1                         | 1            | 1            |   |
| 34.         | 9013-11         | Tee, 1 x 1 x 3/4              | 1                         | 1            | 1            |   |
| 35.         | 9035-6          | Pipe Plug 1"                  | 1                         | 1            | 1            |   |
| 36.         | 9018-1          | Liquid Tite Elbow, 3/8"       | 2                         | 2            | 2            |   |
| 37.         | 9019-1          | Liquid Tite Connector, 3/8"   | 2                         | 2            | 2            |   |
| 38.         | 9361-1          | Pressure Regulator            | 1                         | 1            | 1            |   |
| *           | 39.             | 7140-1                        | Left Hand Side Insulation |              |              | 1 |

\* NOT SHOWN.

\*\* SELECT AS REQUIRED.

PARTS LIST, GAS BOILERS,  
MODELS: CG320 (E), CG325 (E), CG330 (E)

**FIGURE 4**



PARTS LIST, GAS BOILERS,  
MODELS: CG320 (E), CG325 (E), CG330 (E)

**FIGURE 4**

| <u>ITEM</u> | <u>PART NO.</u> | <u>DESCRIPTION</u>                       | <u>CG320</u><br><u>CG325</u> | <u>CG330</u> |
|-------------|-----------------|--|------------------------------|--------------|
| 1.          | 9339-1          | Pressure Switch Assembly with Transducer | 2                            | 2            |
| 2.          | 3-724B          | Brass Tee, 1/4 C x 1/4 C x 1/4 MPT       | 1                            | 1            |
| 3.          | 3-694B          | Brass Elbow, 90°, 1/4 C x 1/4 MPT        | 1                            | 1            |
| 4.          | 4-PL04          | Pilot Light, Round, Green, 125V          | 1                            | 1            |
| 5.          | 9110-1          | Splash Resistant Toggle Switch           | 1                            | 1            |
| ** 6.       | 4135-1          | Control Box Cover (Electric Ignition)    | 1                            |              |
|             | 4055-1          | Control Box Cover (Electric Ignition)    |                              | 1            |
|             | 3238-1          | Control Box Cover (Standing Pilot)       | 1                            | 1            |
| 7.          | M19X-1032-14    | Round Hd. Screw, #10-32 UNF x 1/4        | 4                            | 4            |
| 8.          | 3-696A          | Brass Elbow, 90°, 3/8 C x 1/8 MPT        | 3                            | 3            |
| 9.          | 9308-1          | Solenoid Valve, 1/8 NPT, Water Fill      | 1                            | 1            |
| 10.         | 9310-1          | Solenoid Valve, 1/8 NPT, Cooling         | 1                            | 1            |
| 11.         | 3-686A          | Brass Connector, 3/8 C x 1/8 MPT         | 1                            | 1            |
| 12.         | M19X-832-14     | Round Hd. Screw, #8-32 UNC x 1/4         | 2                            | 2            |
| 13.         | 9390-2          | Terminal Block Assembly, 2 Pole          | 1                            | 1            |
|             |                 | Includes the following parts:            |                              |              |
|             | 9391-2          | Modular Terminal                         | 2                            | 2            |
|             | 9392-1          | End Plate                                | 1                            | 1            |
|             | 9393-1          | End Clamp                                | 2                            | 2            |
|             | 9394-053        | Mounting Rail, 53 mm                     | 1                            | 1            |
| 14.         | M23X-632-14     | Binding Hd. Screw, #6-32 UNC x 1/4       | 2                            | 2            |
| 15.         | 4-TH04          | Drain Thermostat                         | 1                            | 1            |

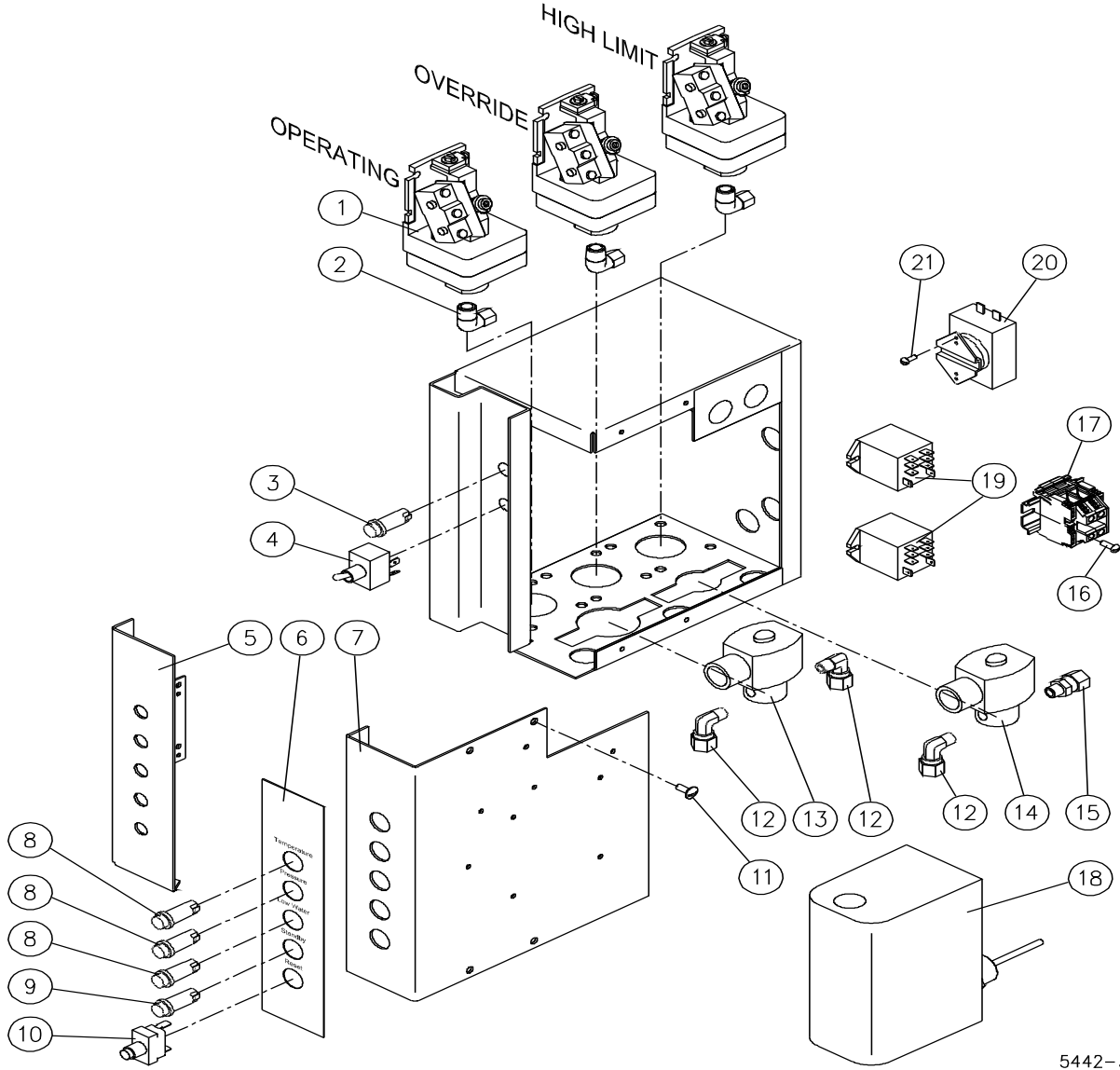
\* NOT SHOWN.

\*\* SELECT AS REQUIRED.

PARTS LIST, GAS BOILERS,  
MODELS: CG320 (E), CG325 (E), CG330 (E)

**FIGURE 5**

**CSD-1 CONTROLS**



5442-3R3

PARTS LIST, GAS BOILERS,  
MODELS: CG320 (E), CG325 (E), CG330 (E)

**FIGURE 5**

| <u>ITEM</u> | <u>PART NO.</u> | <u>DESCRIPTION</u>                       | <u>CG320</u> | <u>CG325</u> | <u>CG330</u> |
|-------------|-----------------|--|--------------|--------------|--------------|
| 1.          | 9339-1          | Pressure Switch complete with Transducer | 3            | 3            | 3            |
| 2.          | 3-694B          | Elbow, 1/4 C x 1/4 MPT                   | 3            | 3            | 3            |
| 3.          | 4-PL04          | Pilot Light - Green, 125V                | 1            | 1            | 1            |
| 4.          | 9110-1          | Power Switch                             | 1            | 1            | 1            |
| 5.          | 6582-1          | Inner Panel                              | 1            | 1            | 1            |
| 6.          | 6590-1          | Decal                                    | 1            | 1            | 1            |
| 7.          | 4602-1          | Control Box Cover                        | 1            | 1            |              |
|             | 4055-2          | Control Box Cover - CSD                  |              |              | 1            |
| 8.          | 4-PL07          | Pilot Light - Red, 125V                  | 3            | 3            | 3            |
| 9.          | 4-PL06          | Pilot Light - Amber, 125V                | 1            | 1            | 1            |
| 10.         | 8-6012          | Reset Switch                             | 1            | 1            | 1            |
| 11.         | M19X-1032-14    | Round HD Screw                           | 4            | 4            | 4            |
| 12.         | 3-696A          | Elbow, 3/8C x 1/8 MPT                    | 3            | 3            | 3            |
| 13.         | 9308-1          | Water Fill Solenoid                      | 1            | 1            | 1            |
| 14.         | 9310-1          | Cooling Solenoid                         | 1            | 1            | 1            |
| 15.         | 3-686A          | Connector, 3/8C x 1/8 MPT                | 1            | 1            | 1            |
| 16.         | M19X-832-14     | Terminal Block Screw                     | 2            | 2            | 2            |
| 17.         | 9390-2          | Terminal Block Assembly, 2 Poles         | 1            | 1            | 1            |
|             |                 | Includes the following parts:            |              |              |              |
|             | 9391-1          | Modular Terminal                         | 2            | 2            | 2            |
|             | 9392-1          | End Plate                                | 1            | 1            | 1            |
|             | 9393-1          | End Clamp                                | 2            | 2            | 2            |

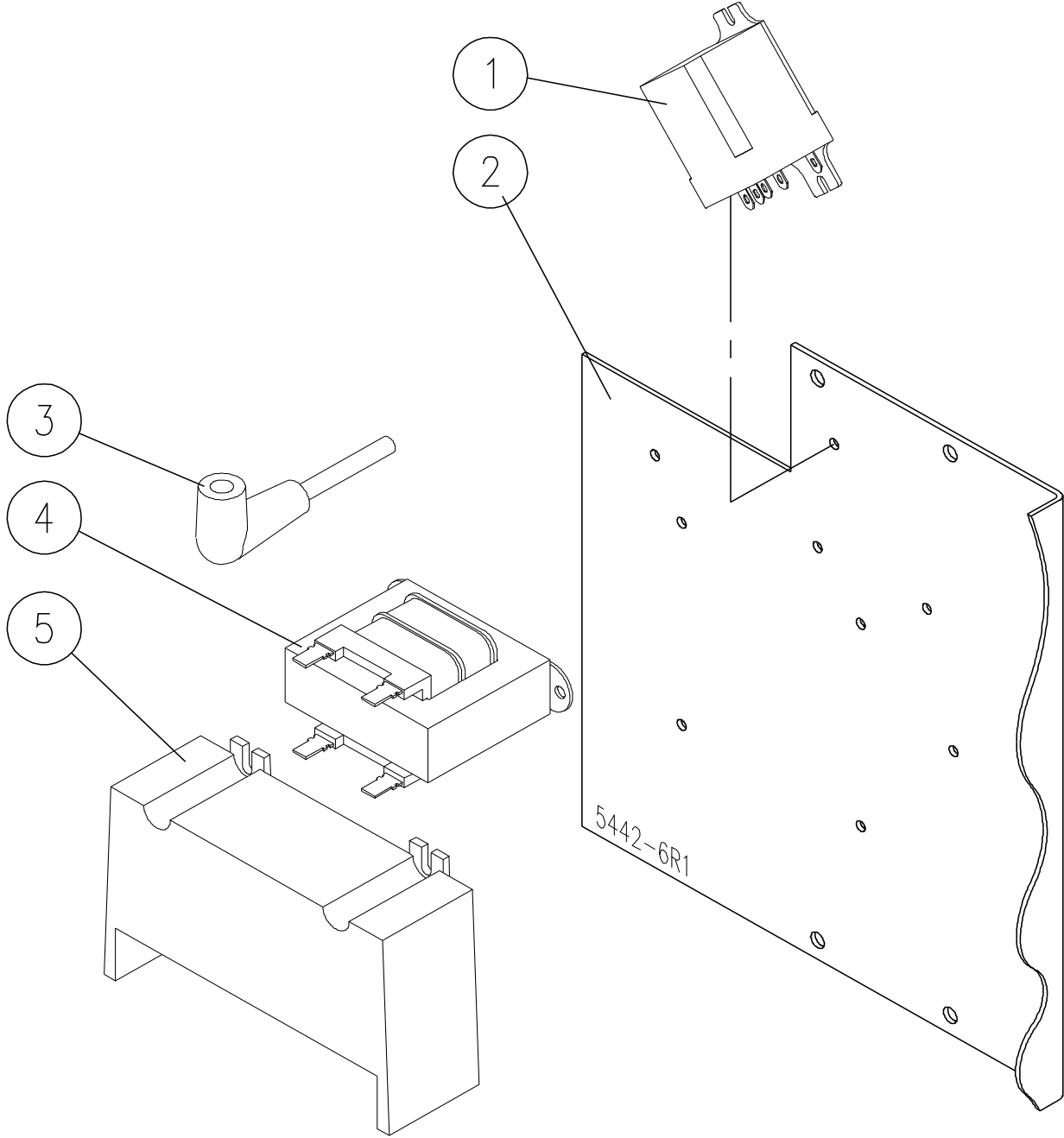
PARTS LIST, GAS BOILERS,  
 MODELS: CG320 (E), CG325 (E), CG330 (E)

| <u>ITEM</u> | <u>PART NO.</u> | <u>DESCRIPTION</u>                                | <u>CG320</u> | <u>CG325</u> | <u>CG330</u> |
|-------------|-----------------|---|--------------|--------------|--------------|
|             | 9394-053        | Mounting Rail, 53 mm                              | 1            | 1            | 1            |
| 18.         | 4-WC80          | Low Water Cut Off Secondary                       | 1            | 1            | 1            |
|             |                 | Includes the following parts:                     |              |              |              |
| *           | 4-WP80          | Probe   | 1            | 1            | 1            |
| 19.         | 9332-1          | Relay - Double Pole, 120V<br>(Single Pole in Use) | 2            | 2            | 2            |
| 20.         | 4-TH04          | Drain Thermostat                                  | 1            | 1            | 1            |
| 21.         | M23X-632-14     | Binding HD Screw                                  | 2            | 2            | 2            |

PARTS LIST, GAS BOILERS,  
MODELS: CG320 (E), CG325 (E), CG330 (E)

**FIGURE 6**

**ELECTRONIC IGNITION PARTS**



PARTS LIST, GAS BOILERS,  
 MODELS: CG320 (E), CG325 (E), CG330 (E)

**FIGURE 6**

| <u>ITEM</u> | <u>PART NO.</u> | <u>DESCRIPTION</u>             | <u>CG320</u> | <u>CG325</u> | <u>CG330</u> |
|-------------|-----------------|--------------------------------|--------------|--------------|--------------|
| 1.          | 4-RL55          | Relay                          | 1            | 1            | 1            |
| ** 2.       | 4135-1          | Control Box Cover              | 1            | 1            |              |
|             | 4055-1          | Control Box Cover              |              |              | 1            |
|             | 4055-2          | Control Box Cover (CSD-1)      |              |              | 1            |
| 3.          | 5169-1          | Ignitor Cable                  | 1            | 1            | 1            |
| ** 4.       | 9-3383          | Transformer, 120-24V, 60 Hz    | 1            | 1            | 1            |
|             | 9123-1          | Transformer, 230-24V, 50/60 Hz | 1            | 1            | 1            |
| 5.          | 9210-2          | Ignition Module                | 1            | 1            | 1            |

\*\* SELECT AS REQUIRED.



PARTS LIST, GAS BOILERS,  
MODELS: CG320 (E), CG325 (E), CG330 (E)

**FIGURE 7**

| <u>ITEM</u> | <u>PART NO.</u> | <u>DESCRIPTION</u>      | <u>QUANTITY</u>                  |   |
|-------------|-----------------|-------------------------|----------------------------------|---|
| 1.          | 3563-1          | Side Panel              | 2                                |   |
| 2.          | 3209-1          | Left Hand Cabinet Door  | 1                                |   |
| 3.          | 3204-1          | Right Hand Cabinet Door | 1                                |   |
| 4.          | 5-MC02          | Magnet Catch            | 2                                |   |
|             | M93X-632-14     | Catch Screw, 6-32 x 1/4 | 8                                |   |
| 5.          | 3-666D          | Water Connection        | 1                                |   |
| **          | 6.              | 2200-1                  | Flue (GC-2, GCX-2, CG320, CG325) | 1 |
|             |                 | 2200-2                  | Flue (GC-2L)                     | 1 |
|             |                 | 2200-3                  | Flue (GC-3L)                     | 1 |
|             |                 | 2200-4                  | Flue (GC-3, GCX-10)              | 1 |
| **          | 7.              | 3226-1                  | Flue Cover (GDA-2)               | 1 |
|             |                 | 3226-2                  | Flue Cover (GDA-3)               | 1 |
|             |                 | 3226-3                  | Flue Cover (GDA-4)               | 1 |
|             |                 | 3226-4                  | Flue Cover (GC-2L)               | 1 |
|             |                 | 3226-5                  | Flue Cover (GC-3L)               | 1 |
|             |                 | 3377-1                  | Flue Cover (GCX-2)               | 1 |
|             |                 | 3938-1                  | Flue Cover (GCX-10)              | 1 |
|             |                 | 3933-1                  | Flue Cover (GCX-16)              | 1 |
|             |                 | 4052-1                  | Flue Cover (CG-330)              | 1 |
|             |                 | 4052-2                  | Flue Cover (CG-320, CG-325)      | 1 |
|             |                 | 4276-1                  | Flue Cover (GCX-10 - [10])       | 1 |
|             |                 | 4276-3                  | Flue Cover (GCX-2- [10])         | 1 |

PARTS LIST, GAS BOILERS,  
MODELS: CG320 (E), CG325 (E), CG330 (E)

| <u>ITEM</u> | <u>PART NO.</u> | <u>DESCRIPTION</u>                     | <u>QUANTITY</u> |
|-------------|-----------------|--|-----------------|
|             | 4276-5          | Flue Cover (GCX-2- [10] with CG-330)   | 1               |
|             | 4276-7          | Flue Clover (GCX-10- [10] with CG-330) | 1               |
| 8.          | 5379-1          | Flanged Foot Leg                       | 4               |

\*\* SELECT AS REQUIRED.