



**IMPORTANT FOR FUTURE REFERENCE**  
Please complete this information and retain this manual for the life of the equipment:

Model #: \_\_\_\_\_  
Serial #: \_\_\_\_\_  
Date Purchased: \_\_\_\_\_

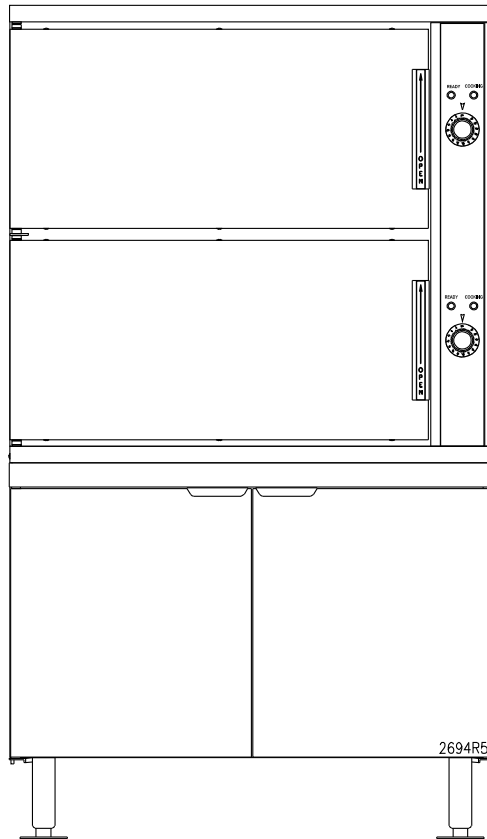
## PARTS LIST

### Two Compartment Steamer Heads

CX-% CX-&

Used on: DCX-% ECX-% GCX-% SCX-%


DCX-& ECX-& GCX-& SCX-&



### **WARNING**

Improper installation, adjustment, alteration, service or maintenance can cause property damage, injury or death. Read the installation, operating and maintenance instructions thoroughly before installing or servicing this equipment.

### CROWN FOOD SERVICE EQUIPMENT

 A Middleby Company

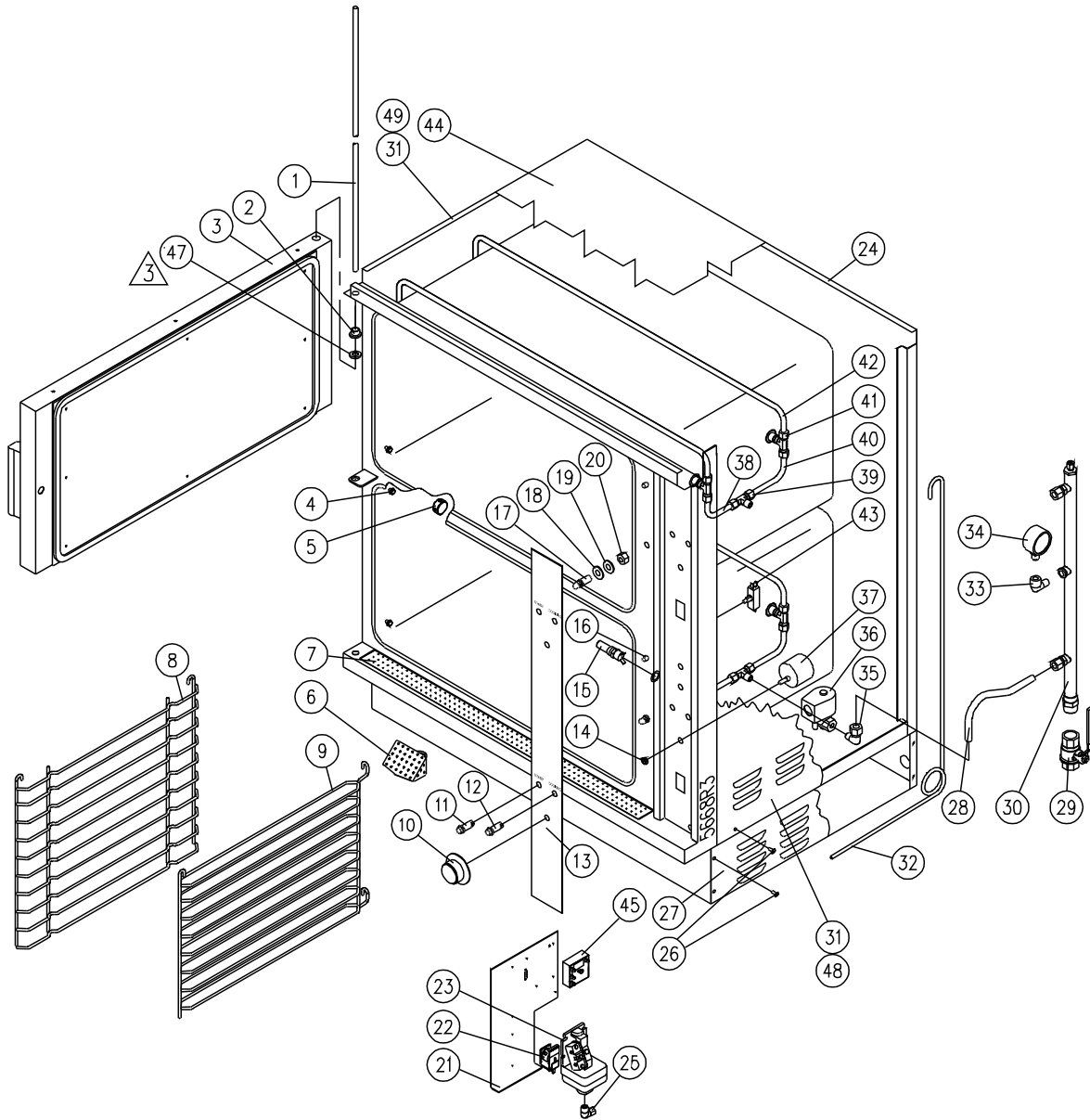
70 Oakdale Road, Downsview, (Toronto), Ontario, Canada, M3N 1V9  
Telephone: 919-762-1000 [www.crownsteamgroup.com](http://www.crownsteamgroup.com)

Printed in Canada



PARTS LIST, TWO COMPARTMENT STEAMER TONS,  
 CX-16, CX-24, DCX-16, DCX-24, ECX-16, ECX-24, GCX-16, GCX-24, SCX-16, SCX-24

**FIGURE 1**



PARTS LIST, TWO COMPARTMENT STEAMER TOPS,  
 CX-16, CX-24, DCX-16, DCX-24, ECX-16, ECX-24, GCX-16, GCX-24, SCX-16, SCX-24

**FIGURE 1**

<u>ITEM NUMBER</u>	<u>PART NUMBER</u>	<u>DESCRIPTION</u>	<u>QUANTITY</u>	
			<u>16 PAN</u>	<u>24 PAN</u>
1.	4247-1	Hinge Rod	1	
	4247-2	Hinge Rod		1
2.	4248-1	Bronze Flanged Bushing	8	8
3.	4251-1	Door Assembly	2	
	9925-1	Door Assembly		2
4.	4721-1	Hanger Pin Assembly	12	
	9926-1	Hanger Pin Assembly		12
5.	3502-2	Steam Diverter Kit	8	
	5281-2	Steam Diverter Kit		8
6.	5224-2	Compartment Strainer	2	2
7.	2283-1	Perforated Trough (8-5023-6)	1	1
8.	2681-2	Pan Rack	4	
	8811-1	Pan Rack		4
9.	2667-1	Centre Pan Support	2	
	8812-1	Centre Pan Support		2
** 10.	4104-1	Timer Knob, 60 Min., 60 Hz	2	2
	4103-1	Timer Knob, 60 Min., 50 Hz	2	2
11.	4753-5	Pilot Light, Green (4-PL04)	2	2
12.	4753-7	Pilot Light, Red (4-PL07)	2	2
13.	2663-2	Control Panel Decal	1	
	8853-1	Control Panel Decal		1
14.	9109-1	Rotary Shaft Seal	2	2
15.	3826-1	Thermal Switch (3-TS01)	2	2

PARTS LIST, TWO COMPARTMENT STEAMER TOPS,  
CX-16, CX-24, DCX-16, DCX-24, ECX-16, ECX-24, GCX-16, GCX-24, SCX-16, SCX-24

<u>ITEM NUMBER</u>	<u>PART NUMBER</u>	<u>DESCRIPTION</u>	<u>QUANTITY</u>	
			<u>16 PAN</u>	<u>24 PAN</u>
16.	3775-1	Actuator Pin (9-3336)	2	2
17.	3498-1	Striker (8-5021)	2	2
18.	3499-1	Flat Washer, 1/2 (8-5022)	2	2
19.	S05N-12	Split Lock Washer, 1/2	2	2
20.	HN05N-1220	Hex Nut, 1/2 - 20 UNF, Stainless Steel	2	2
21.	2718-1	Component Panel (9-3223)	1	1
22.	3821-1	Buzzer	1	1
23.	9411-1	Pressure Switch Assembly	1	1
24.	8641-1	Back Panel	1	
	8942-1	Back Panel		1
25.	9659-9	Elbow, 1/4 C x 1/4 NPTM (3-694B)	1	1
26.	M33S-1032-12	Truss Head Screw 10 - 32 UNC x 1/2	8	
27.	2835-1	Side Riser	2	
28.	4659-3	Steam Tube, $\varnothing$ 1/2, (9-3029-2)	2	2
29.	4918-1	Ball Valve (3-BVE0)	1	1
30.	2252-3	Steam Manifold Assembly (9-3019-2)	1	
	2252-4	Steam Manifold Assembly		1
31.	6765-4	Side Panel (8-5102-6), Dwg. 6765	2	
32.	9-3220-2	Steam Tube, $\varnothing$ 1/4	1	1
33.	3-H116B	Elbow, 1/4 NPTF x 1/4 NPTM	1	1
34.	3-BM15	Pressure Gauge	1	1
35.	9659-14	Elbow, 1/2 C x 1/4 MPT (3-698B)	2	
	9659-5	Elbow, 3/8 C x 1/2 MPT (3-696D)		2
36.	9273-1	Solenoid Valve, 1/2	2	2

PARTS LIST, TWO COMPARTMENT STEAMER TOPS,  
 CX-16, CX-24, DCX-16, DCX-24, ECX-16, ECX-24, GCX-16, GCX-24, SCX-16, SCX-24

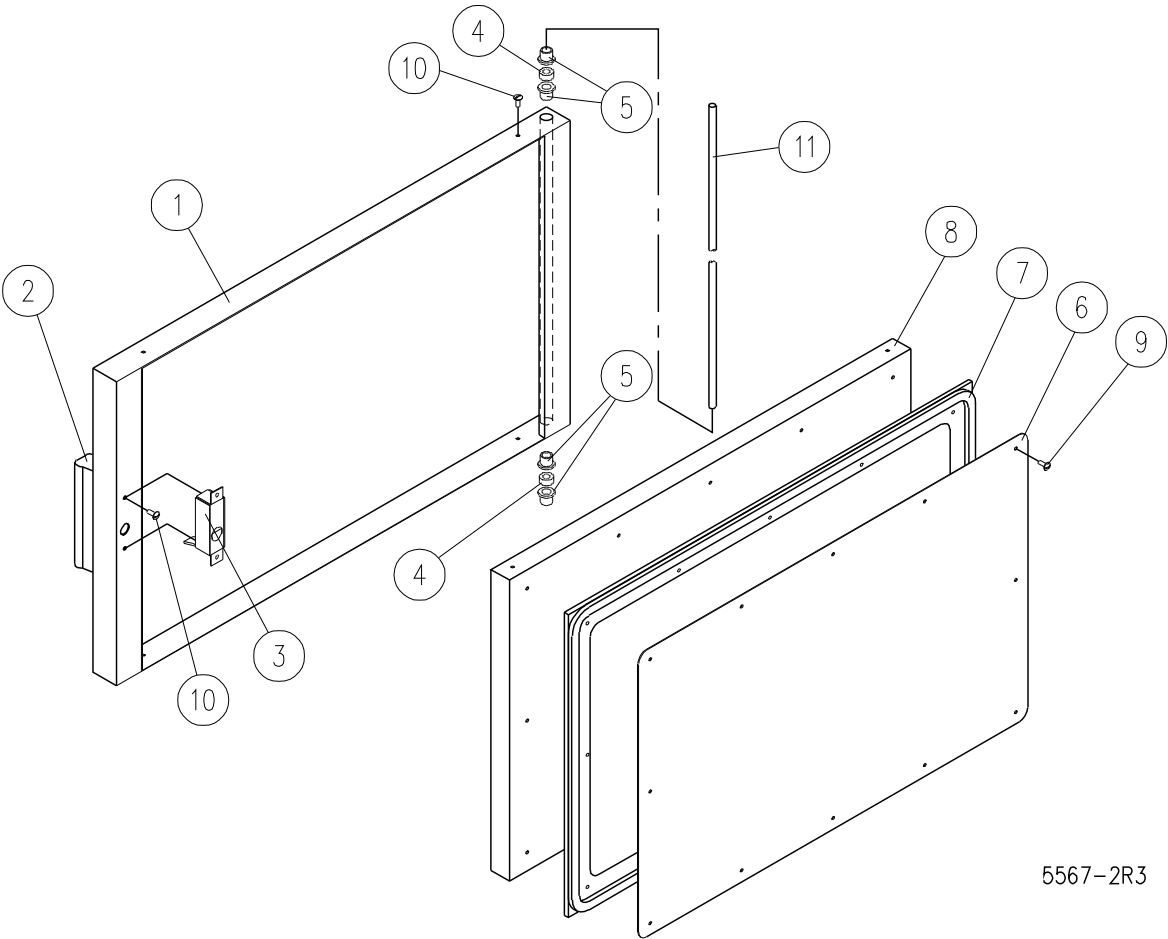
<u>ITEM NUMBER</u>	<u>PART NUMBER</u>	<u>DESCRIPTION</u>	<u>QUANTITY</u>	
			<u>16 PAN</u>	<u>24 PAN</u>
37.	9451-1	Timer, 60 Minutes (4-T210)	2	2
38.	9-3221	Steam Tube - Front, 3/8	2	2
39.	9738-8	Tee, 3/8C x 1/2 MPT (3-726D)	2	6
40.	9-3222	Steam Tube - Rear, 3/8	2	2
41.	9738-6	Tee, 3/8C x 1/4 NPTM (3-726D)	4	
42.	4579-1	Steam Supply Crossover Tube	4	
	4579-2	Steam Supply Crossover Tube		4
43.	9208-1	Door Switch	2	2
44.	7930-2	Top Cover	1	1
45.	9229-1	Time Delay Relay	1	1
* 46.	9-3296-1	Steam Hose	2	2
47.	9924-1	Spacer, Top Bushing, Door	1	1
48.	8943-1	Access Panel, Right Hand		1
49.	8944-1	Access Panel, Left Hand		1

\* NOT SHOWN.

\*\* SELECT AS REQUIRED.

PARTS LIST, TWO COMPARTMENT STEAMER TOPS,  
CX-16, CX-24, DCX-16, DCX-24, ECX-16, ECX-24, GCX-16, GCX-24, SCX-16, SCX-24

**FIGURE 2**



5567-2R3

PARTS LIST, TWO COMPARTMENT STEAMER TOPS,  
 CX-16, CX-24, DCX-16, DCX-24, ECX-16, ECX-24, GCX-16, GCX-24, SCX-16, SCX-24

**FIGURE 2**

<u>ITEM</u>	<u>PART NUMBER</u>	<u>DESCRIPTION</u>	<u>QUANTITY</u>	
			<u>16 PAN</u>	<u>24 PAN</u>
1.	3103-1	Door Frame	1	
	3103-3	Door Frame		1
2.	3903-2	Door Handle Assembly	1	1
*	3646-1	Decal	1	1
*	4090-2	Handle	1	1
*	4089-2	Door Handle, Plate	1	1
*	M68S-1420-134	Socket Screw, 1/4 - 20 x 1 3/4	2	2
*	M68S-1420-34	Socket Screw, 1/4 - 20 x 3/4	1	1
*	4088-1	Spacer	2	2
*	S05N-14	Lock Washer 1/4	2	2
*	HN05N-1420	Nut, 1/4 - 20	2	2
3.	3900-1	Latch Assembly (8-5068-9)	1	1
4.	4249-1	Spacer, Top Door, Stainless Steel	1	1
	4250-1	Spacer, Lower Door, Stainless Steel	1	1
5.	4248-1	Door Bushing	4	4
6.	2805-1	Door Gasket Retainer (8-5065-6)	1	
	8941-1	Door Gasket Retainer		1
7.	2666-1	Door Gasket (8-5063-6)	1	
	8790-1	Door Gasket		1
8.	2804-1	Door Panel (8-5060-6)	1	
	8940-1	Door Panel		1
9.	9423-1	Door Gasket Screw (9-1011-1)	12	14
10.	M33S-1032-12	Screw, 10-32 x 1/2	6	6

PARTS LIST, TWO COMPARTMENT STEAMER TOPS,  
 CX-16, CX-24, DCX-16, DCX-24, ECX-16, ECX-24, GCX-16, GCX-24, SCX-16, SCX-24

<u>ITEM</u>	<u>PART NUMBER</u>	<u>DESCRIPTION</u>	<u>QUANTITY</u>	
			<u>16 PAN</u>	<u>24 PAN</u>
11.	4247-1	Hinge Rod	1	
	4247-2	Hinge Rod		1

\* NOT SHOWN.