



**IMPORTANT FOR FUTURE REFERENCE**

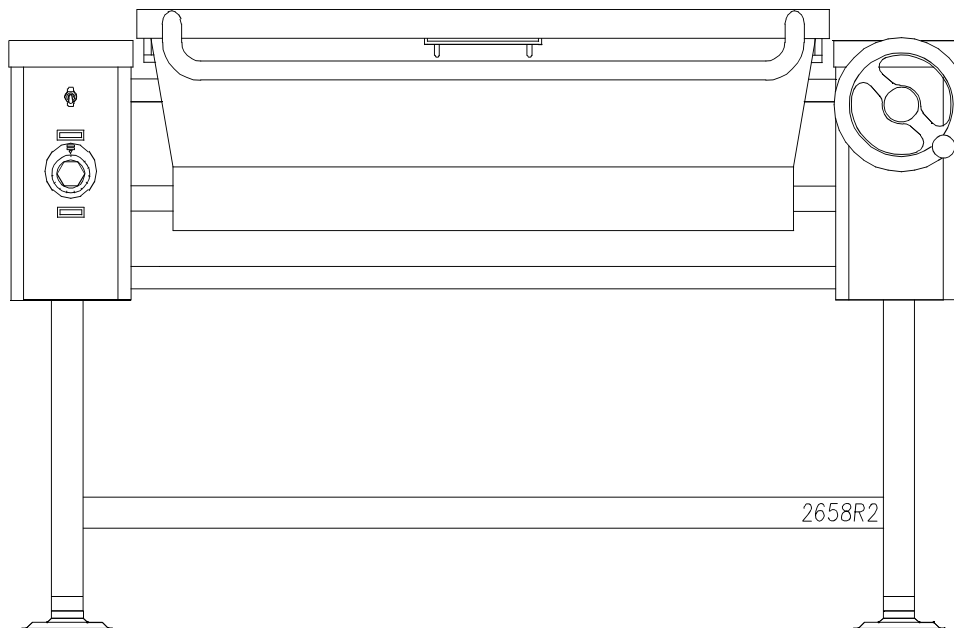
Please complete this information and retain this manual for the life of the equipment:

Model #: \_\_\_\_\_

Serial #: \_\_\_\_\_

Date Purchased: \_\_\_\_\_

**PARTS LIST**  
**Electric Tilting Skillets**  
**ETS-30 ETS-40**



**WARNING**

Improper installation, adjustment, alteration, service or maintenance can cause property damage, injury or death. Read the installation, operating and maintenance instructions thoroughly before installing or servicing this equipment.

**CROWN FOOD SERVICE EQUIPMENT**

 A Middleby Company

70 Oakdale Road, Downsview (Toronto) Ontario, Canada, M3N 1V9

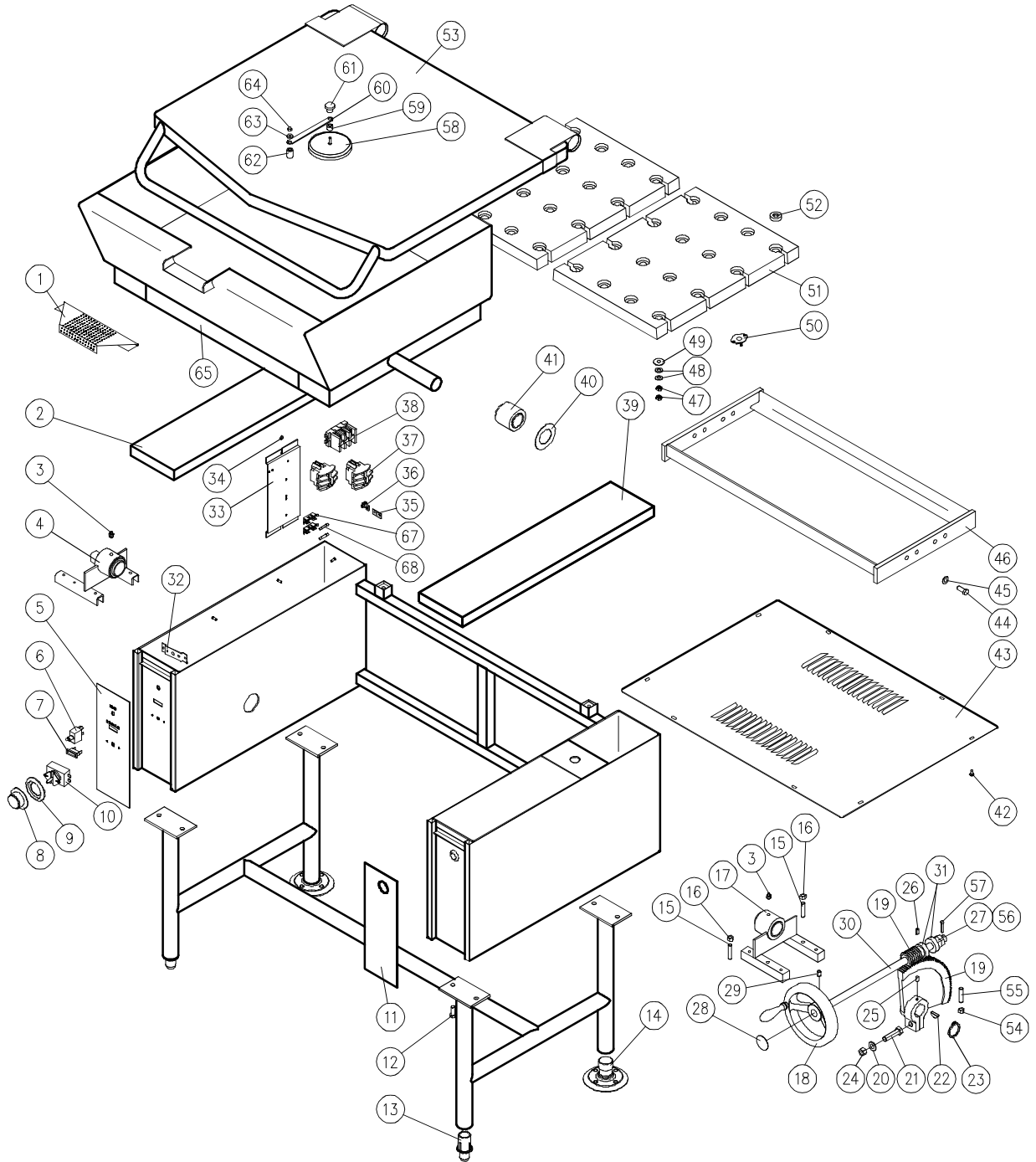
Telephone: 919-762-1000 [www.crownsteamgroup.com](http://www.crownsteamgroup.com)

Printed in Canada



PARTS LIST, ELECTRIC TILTING SKILLETS, MODELS: ETS-30, ETS-40

**FIGURE 1**



5979R0

PARTS LIST, ELECTRIC TILTING SKILLETS, MODELS: ETS-30, ETS-40

**FIGURE 1**

<u>ITEM</u>	<u>PART NO.</u>	<u>DESCRIPTION</u>	<u>QUANTITY</u>	<u>QUANTITY</u>	
			<u>30</u>	<u>40</u>	
1.	7380-1	Strainer	1	1	
2.	4903-1	Left Hand Console Cover	1	1	
3.	4898-1	Grease Nipple	2	2	
4.	6960-1	Trunnion Housing Assembly	1	1	
5.	3185-1	Left Hand Console Decal	1	1	
6.	9110-1	Power Switch	1	1	
7.	4-PL08	Pilot Light	1	1	
**	8.	4736-1	Dial (°F)	1	1
		4737-1	Dial (°C)	1	1
9.	4-TB05	Bezel	1	1	
10.	4-TH47	Thermostat	1	1	
*		3828-1	Clamp, Thermostat Bulb	1	1
11.	6408-1	Right Hand Console Decal	1	1	
12.	1-75C8	Bolt, 3/8 - 16 x 1"	8	8	
13.	5-FS64	Adjustable Foot	2	2	
14.	8-1308	Flanged Adjustable Foot	2	2	
15.	9061-6	Set Screw, 3/8 - 16 x 1-3/4"	2	2	
16.	1-79C0	Nut, 3/8 - 16	2	2	
17.	6952-1	Trunnion Housing Assembly	1	1	
18.	8-2054	Hand Wheel	1	1	
19.	5393-1	Segment Gear & Worm Gear Kit (Includes 20 to 26)			
20.	1-W4C0	Lock Washer, 1/2"	1	1	
21.	2-96C8	Bolt, 1/2 - 13 x 2"	1	1	

PARTS LIST, ELECTRIC TILTING SKILLETS, MODELS: ETS-30, ETS-40

<u>ITEM</u>	<u>PART NO.</u>	<u>DESCRIPTION</u>	<u>QUANTITY</u>	<u>QUANTITY</u>	
			<u>30</u>	<u>40</u>	
22.	1-K8U8	Woodruff Key	1	1	
23.	1-R315	Retaining Clip	1	1	
24.	1-99C0	Nut, 1/2 -13	1	1	
25.	1-52U4	Set Screw, 1/4 - 20 x 1/2"	1	1	
26.	2-T6U5	Tension Pin, 3/16" D x 1-1/4" L	1	1	
27.	2-HN66	Jam Nut, 3/4 - 16	2	2	
28.	9-3374	Decal Tilt	1	1	
29.	9075-4	Set Screw, 3/8 - 16 x 5/8"	1	1	
30.	6738-1	Tilt Shaft	1	1	
31.	5327-1	Thrust Bearing	2	2	
32.	4473-1	Thermostat Mounting Bracket	1	1	
33.	9-3237	Component Mounting Plate	1	1	
34.	1-39C0	Hex Nut 10 - 32	1	1	
35.	4188-1	Earth ID Tag	1	1	
36.	4-70EU	Ground Lug	1	1	
**	37.	4-NG41	Contact, 208V, 220V, 240V	2	-
		4-NG41	Contact, 380V, 416V, 480V	1	-
		4-NG41	Contact, 220/380V, 240/416V	1	1
		4-CG42	Contact, 208V, 220V, 240V	-	2
		4-CG42	Contact, 380V, 416V, 480V	-	1
	38.	4-33TB	Terminal Block	3	3
		4-33ES	End Section	1	1
**	39.	3450-1	Right Hand Console Cover	1	1
		4902-1	Right Hand Console Cover Faucet Mounting	1	1
	40.	3625-1	Washer	2	2

PARTS LIST, ELECTRIC TILTING SKILLETS, MODELS: ETS-30, ETS-40

<u>ITEM</u>	<u>PART NO.</u>	<u>DESCRIPTION</u>	<u>QUANTITY</u>	<u>QUANTITY</u>	
			<u>30</u>	<u>40</u>	
41.	3462-1	Spacer	2	2	
42.	1-33C4	Screw, 10 - 32 x 1/2"	8	8	
43.	8022-1	Bottom Cover	1	-	
43.	8023-1	Bottom Cover	-	1	
44.	1-75C7	Bolt, 3/8 - 16 x 7/8"	8	8	
45.	1-70C0	Lock Washer, 3/8"	8	8	
46.	8020-1	Element Block Tie Down	1	-	
	8021-2	Element Block Tie Down	-	1	
47.	1-79C0	Nut, 3/8 - 16	58	80	
48.	9063-1	Bellville Washer	58	80	
49.	F01C-516	Flat Washer, 5/16"	29	40	
50.	4874-2	High-Limit	2	3	
**	51.	7545-208	Element Asm, 6 kW, 208V	2	
		7545-220	Element Asm, 6 kW, 220(380)V	2	
		7545-240	Element Asm, 6 kW, 240(415)V	2	
		7545-277	Element Asm, 6 kW, 277V(480)V	2	
		7547-208	Element Asm, 6 kW, 208V		3
		7547-220	Element Asm, 6 kW, 220(380)V		3
		7547-240	Element Asm, 6 kW, 240(415)V		3
		7547-277	Element Asm, 6 kW, 277(480)V		3
		8090-208	Element Asm, 9 kW, 208V	2	
		8090-220	Element Asm, 9 kW, 220(380)V	2	
		8090-240	Element Asm, 9 kW, 240(415)V	2	
		8090-277	Element Asm, 9 kW, 277(480)V	2	
		8091-208	Element Asm, 208V, 9 kW		3

PARTS LIST, ELECTRIC TILTING SKILLETS, MODELS: ETS-30, ETS-40

<u>ITEM</u>	<u>PART NO.</u>	<u>DESCRIPTION</u>	<u>QUANTITY</u>	<u>QUANTITY</u>
			<u>30</u>	<u>40</u>
**	51.	8091-220		3
		8091-240		3
		8091-277		3
	52.	3599-1	29	40
	53.	7386-2	1	-
		7387-2	-	1
	54.	1-79C0	1	1
	55.	9061-6	1	1
	56.	5328-1	1	1
	57.	5329-1	1	1
	58.	4139-1	1	1
	59.	5837-1	1	1
	60.	5817-1	1	1
	61.	9248-1	1	1
	62.	5836-1	1	1
	63.	F05N-14	1	1
	64.	9031-5	1	1
	65.	8016-1	1	
		8018-1		1
*	66.	8017-1	1	
		8019-1		1
**	67.	9068-1	2	2
		9068-1	1	1
		9002-1	2	2

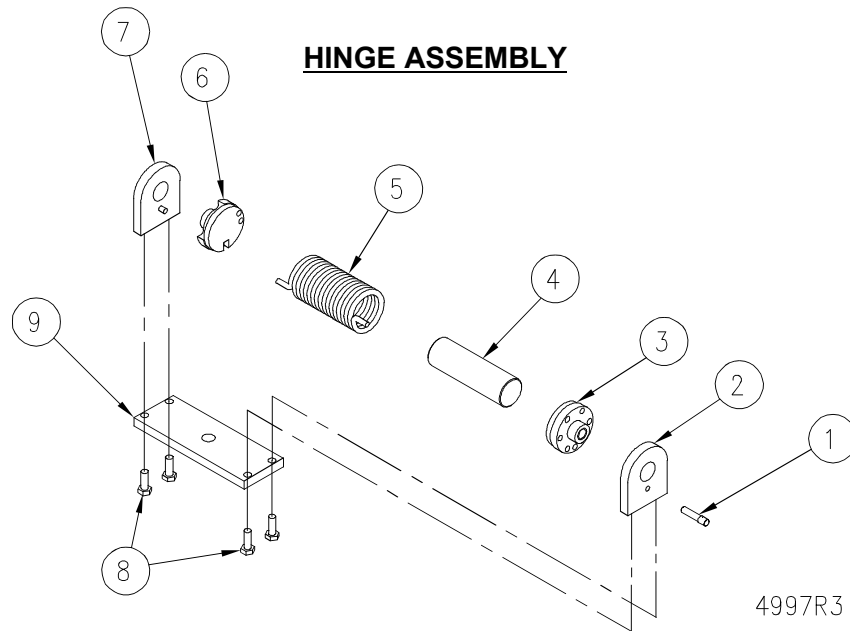
PARTS LIST, ELECTRIC TILTING SKILLETS, MODELS: ETS-30, ETS-40

<u>ITEM</u>	<u>PART NO.</u>	<u>DESCRIPTION</u>	<u>QUANTITY</u> <u>30</u>	<u>QUANTITY</u> <u>40</u>	
**	68.	9092-3	Fuse, Glass, 3 Amp., 250V (208, 220, 240V)	2	2
		9092-3	Fuse, 3 Amp. 250V (380/220, 415/240V)	1	1
		9001-2	Fuse, 1/2 Amp., 600V, (380, 415, 480V)	2	2
* **	69.	4-T251	Transformer, 380/415V-240V, 50/60 Hz, 100 VA	1	1
		4-T255	Transformer, 480-240V, 50/60 Hz, 100 VA	1	1

\* NOT SHOWN.

\*\* SELECT AS REQUIRED.

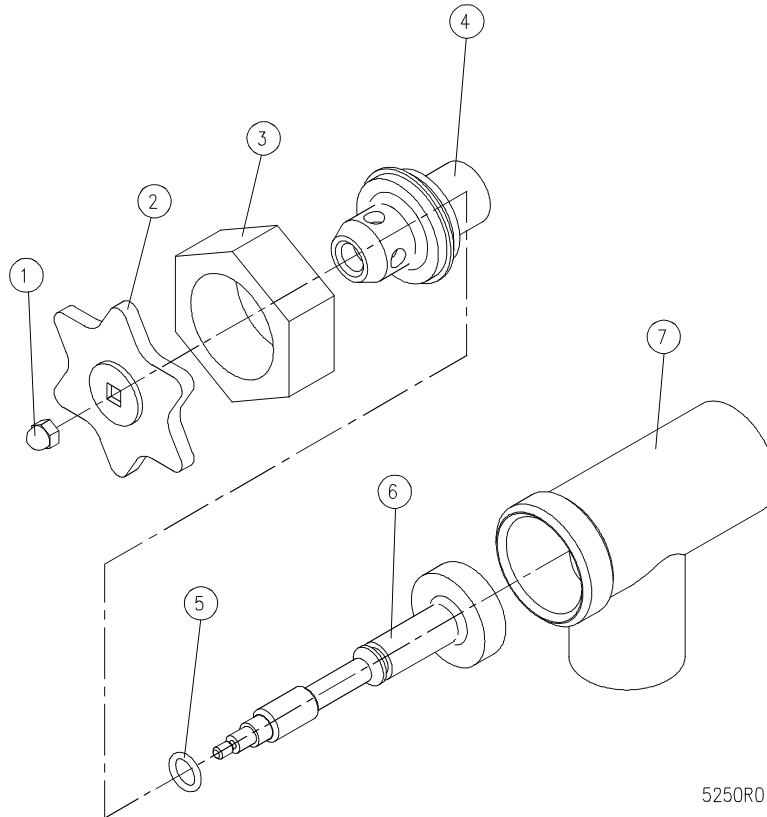
PARTS LIST, ELECTRIC TILTING SKILLETS, MODELS: ETS-30, ETS-40



<u>ITEM</u>	<u>PART NO.</u>	<u>DESCRIPTION</u>	<u>QUANTITY</u>
	<b>9-3185</b>	<b>LARGE HINGE ASSEMBLY</b>	
1.	8-2029	Lock Pin	1
2.	8-2035L	End Lock Plate	1
3.	5428-1	Stationary Disc	1
4.	5430-1	Core	1
5.	8-2026	Spring	1
6.	5429-1	Rotary Disc	1
7.	8-2021	End Stop Plate	1
8.	1-56S6	Cap Screws, 1/4-20 x 3/4, Stainless Steel	4
9.	3730-1	Base Plate	1

PARTS LIST, ELECTRIC TILTING SKILLETS, MODELS: ETS-30, ETS-40

**DRAW-OFF VALVE**



5250R0

<u>ITEM</u>	<u>PART NO.</u>	<u>DESCRIPTION</u>	<u>QUANTITY</u>
	<b>3-D015</b>	<b>1-1/2" DRAW OFF VALVE ASSEMBLY</b>	
1.	9031-3	Acorn Nut 10 - 24 UNC	1
2.	4115-1	Handle, Stainless Steel	1
3.	3-DV13	Gland Nut	1
4.	3-DV14	Bonnet	1
5.	3-DV16	"O" Ring	1
6.	3-DV15RV	Stem Assembly	1
7.	3-DV17	Valve Body	1

PARTS LIST, ELECTRIC TILTING SKILLETS, MODELS: ETS-30, ETS-40

<u>ITEM</u>	<u>PART NO.</u>	<u>DESCRIPTION</u>	<u>QUANTITY</u>
	<b>3-D020</b>	<b>2" DRAW OFF VALVE ASSEMBLY</b>	
1.	9031-3	Acorn Nut 10 - 24 UNC	1
2.	4115-1	Handle, Stainless Steel	1
3.	3-DV23	Gland Nut	1
4.	3-DV24	Bonnet	
5.	3-DV26	"O" Ring	1
6.	3-DV25RV	Stem Assembly	1
7.	3-DV27	Valve Body	1

<u>ITEM</u>	<u>PART NO.</u>	<u>DESCRIPTION</u>	<u>QUANTITY</u>
	<b>3-D030</b>	<b>3" DRAW OFF VALVE ASSEMBLY</b>	
1.	3-DV31	Acorn Nut, 7/16 - 14 UNC	1
2.	3-DV32	Handle, Stainless Steel	1
3.	3-DV33	Gland Nut	1
4.	3-DV34	Bonnet	1
5.	3-DV36	"O" Ring	1
6.	3-DV35RV	Stem Assembly	1
7.	3-DV37	Valve Body	1