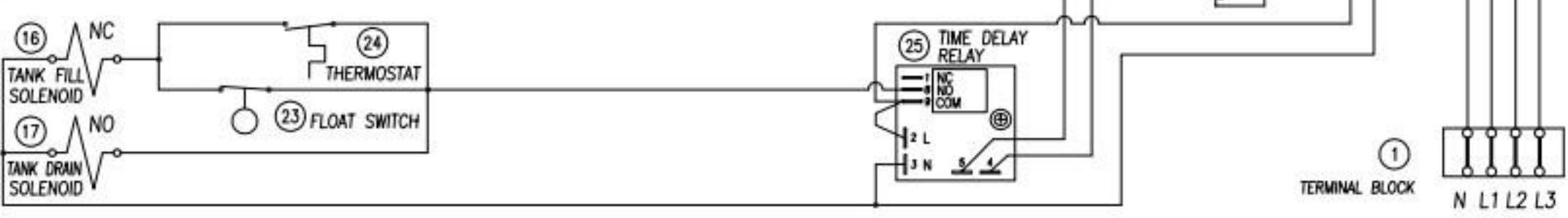
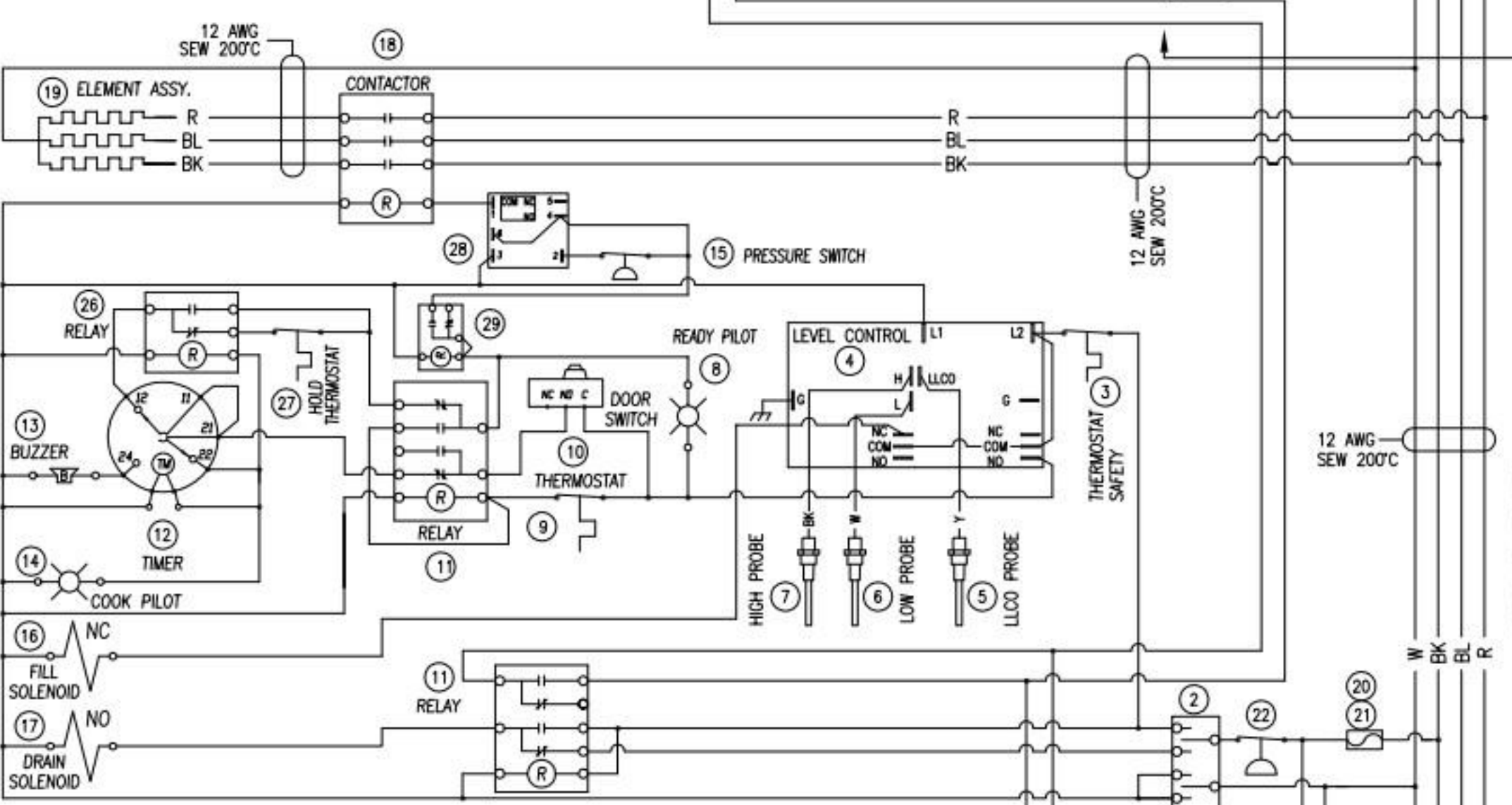
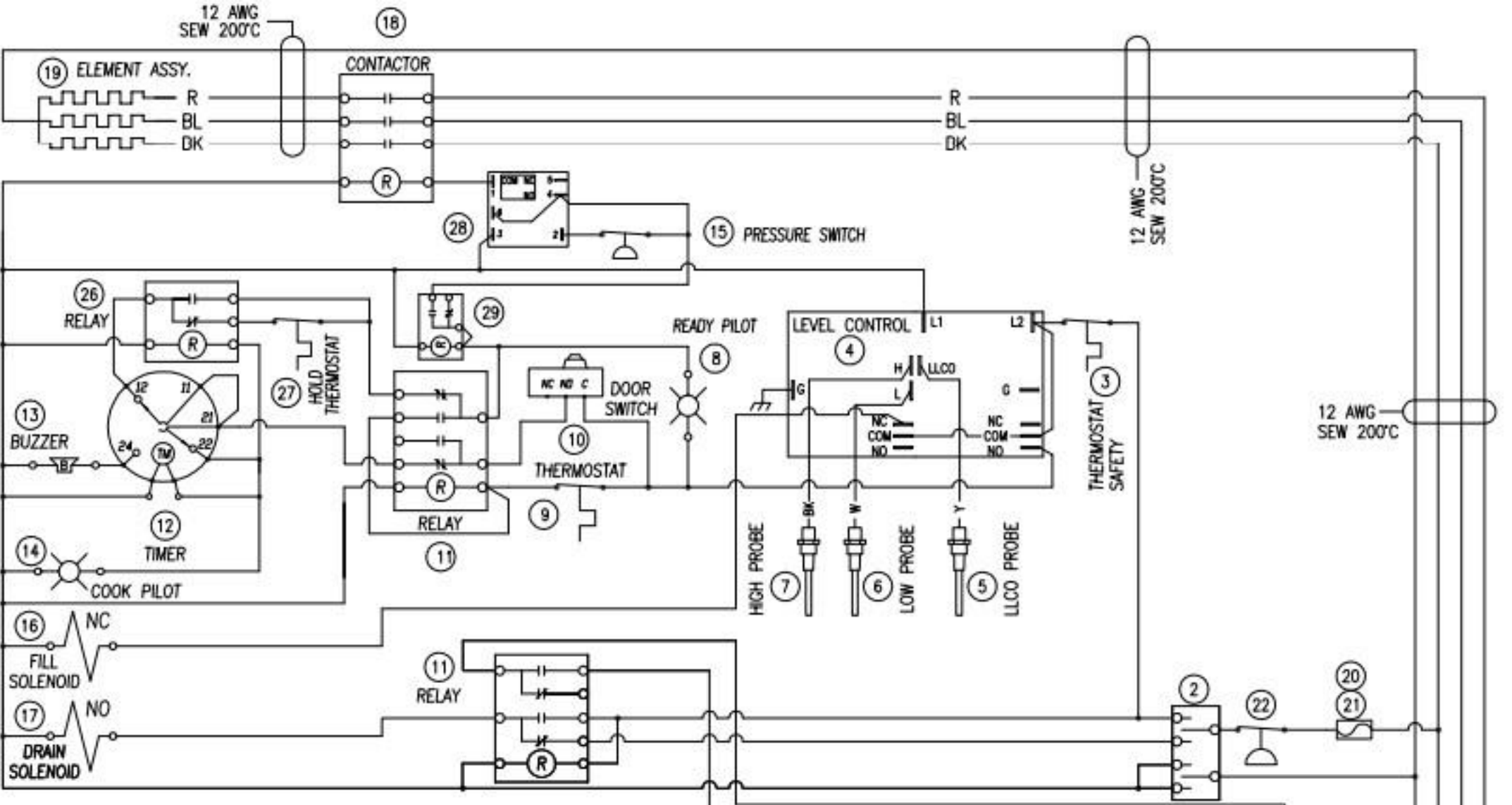
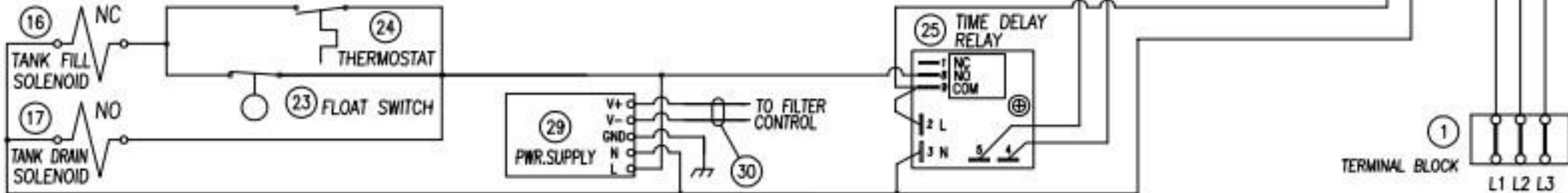
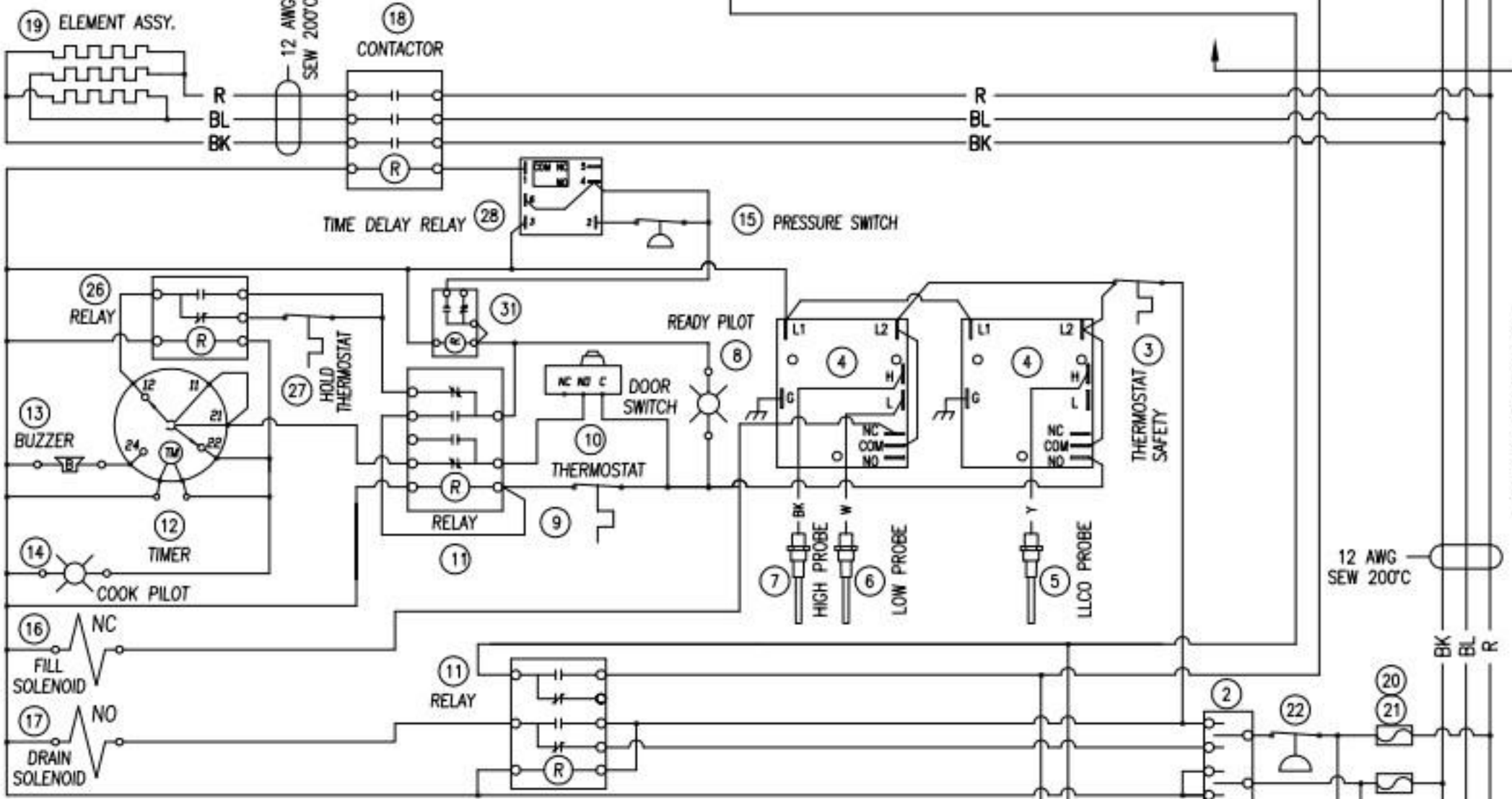
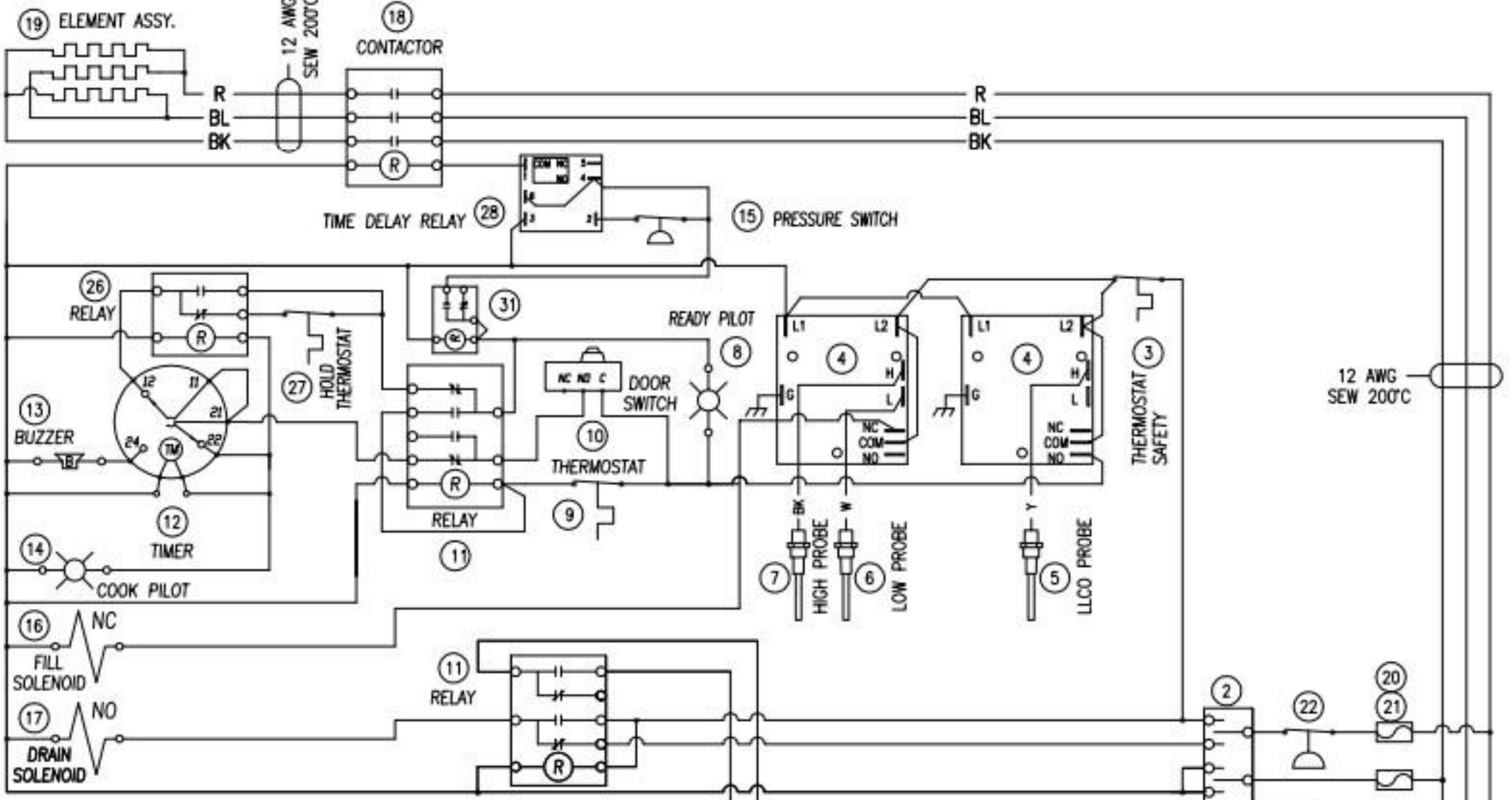


CONTROL CIRCUIT WIRE: 16 AWG SEW 200°C
 LOAD CIRCUIT WIRE: 12 AWG SEW 200°C



FOR TWO COMPARTMENTS



FOR TWO COMPARTMENTS

