



MARKET FORGE

ETP-5E & ETP-10E ECO-TECH® PLUS ELECTRIC CONVECTION STEAMER PARTS AND SERVICE MANUAL

EFFECTIVE JANUARY 10, 2018

Superseding All Previous Parts Lists.

The Company reserves the right to make substitution in the event that items specified are not available.

ERRORS: Descriptive and/or typographic errors are subject to correction.

MARKET FORGE

Telephone: (802) 658-6600 Fax: (802) 860-3732

www.marketforge.com

P/N 14-0283 Rev C (1/18)

TABLE OF CONTENTS

GENERAL TROUBLESHOOTING GUIDE	3
ELECTRICAL FAULT ISOLATION GUIDE	5
TROUBLESHOOTING.....	6
ADJUSTMENTS	7
WIRING DIAGRAMS	8
ILLUSTRATED PARTS LIST	
STEAMER EXPLODED VIEW.....	14
COMPONENT PANEL.....	19
CABINET ASSEMBLY	20
ALTERNATE FILTER SYSTEM.....	23

GENERAL TROUBLESHOOTING GUIDE

PROBLEM	PROBABLE CAUSE	REMEDY
Cooking indicator light fails to light with Timer set.	<ul style="list-style-type: none"> a. Main power circuit breaker tripped. b. Door interlock switch contacts not closed. c. Door interlock switch faulty. d. Indicator light burned out. e. Faulty timer contacts. f. Faulty wiring. 	<ul style="list-style-type: none"> a. Locate external circuit breaker for incoming power and place in ON position. b. Shut cooker door to close switch contacts. Check alignment of door with switch c. Replace switch. d. Replace light. e. Replace timer. f. Inspect condition of wire and tightness of all connections. Correct as needed.
Steam fails to enter cooking compartment with cooking indicator light on.	<ul style="list-style-type: none"> a. Faulty wiring. 	<ul style="list-style-type: none"> a. Inspect condition of wire and tightness of all connections. Correct as needed.
Steam enters compartment continuously without the cooking or ready light on.	<ul style="list-style-type: none"> a. Standby thermostat not set correctly. b. Faulty thermostatic switch. c. HOLD set on timer. 	<ul style="list-style-type: none"> a. Adjust the thermostat lower. b. Replace thermostat. c. Rotate timer knob to 'OFF' position.
Timer dial not turning.	<ul style="list-style-type: none"> a. Faulty timer motor. b. Faulty wiring. 	<ul style="list-style-type: none"> a. Replace timer. b. Inspect condition of wire and tightness of all connections. Correct as needed.
Buzzer fails to sound at end of timer setting.	<ul style="list-style-type: none"> a. Timer contacts faulty. b. Buzzer faulty. c. Faulty wiring. 	<ul style="list-style-type: none"> a. Replace timer. b. Replace buzzer. c. Inspect condition of wire and tightness of all connections. Correct as needed.
Steam flows continuously from drain line with cooker in operation.	<ul style="list-style-type: none"> a. Cold water not connected. b. Faulty cooling valve. c. Faulty wiring. d. Faulty or misadjusted operating. 	<ul style="list-style-type: none"> a. Turn on external shutoff valve. b. Replace cooling valve. c. Inspect condition of wire and tightness of all connections. Correct as needed. d. Inspect operation of pressure switch and setting and operation of time delay relay.

GENERAL TROUBLESHOOTING GUIDE

PROBLEM	PROBABLE CAUSE	REMEDY
Door leaks.	<ul style="list-style-type: none"> a. Damaged door gasket. b. Clogged compartment drain or plumbing. 	<ul style="list-style-type: none"> a. Check gasket for cuts and replace if necessary. b. Remove screen and clean drain line or plumbing.
Water flows into cooking compartment.	<ul style="list-style-type: none"> a. Level control has failed. b. Water has very high resistance. (i.e. low mineral content or Reverse Osmosis Water). c. Scale build-up on probe. d. Water fill solenoid valve. 	<ul style="list-style-type: none"> a. Replace. b. Replace level control with high sensitivity control. c. Clean all probes in steam generator. d. Plugged, defective, clean or replace.
Water accumulates in compartment.	<ul style="list-style-type: none"> a. Plugged compartment drain. 	<ul style="list-style-type: none"> a. Remove screen and clean drain line.
Water flows into drain during shutdown.	<ul style="list-style-type: none"> a. Cooling valve does not close. 	<ul style="list-style-type: none"> a. Check valve for foreign material or damage.
Water not being supplied to Generator.	<ul style="list-style-type: none"> a. Water supply off. b. Supply water pressure too low. c. Defective water solenoid valve. d. Level Probe shorted. e. Defective water level control. f. Drain valve is open. 	<ul style="list-style-type: none"> a. Check incoming water valve is on. b. Call supply agency. c. Replace or clean. d. Check and correct. e. Replace. f. Check valve, clean or replace.

NOTE: THESE PROBLEMS ARE AN INDICATION OF SEVERE WATER CONDITIONS WHICH SHOULD BE CORRECTED IMMEDIATELY TO AVOID DAMAGE TO THE COMPONENTS AND PERFORMANCE OF THE STEAMER. CALL YOUR SERVICE AGENCY FOR ASSISTANCE.

ELECTRICAL FAULT ISOLATION GUIDE

FAILURE	FAULT LOCATION
1. WILL NOT OPERATE IN EITHER HOLD OR 60-MINUTE TIMER POSITIONS.	<ul style="list-style-type: none"> a. Incoming power b. Timer c. Door interlock switch d. Wiring
2. OPERATING IN HOLD POSITION BUT NOT IN 60-MINUTE TIMER POSITION.	<ul style="list-style-type: none"> a. 60-Minute timer b. Wiring
3. OPERATES IN 60-MINUTE TIMER POSITION BUT NOT IN HOLD POSITION.	<ul style="list-style-type: none"> a. Timer b. Wiring c. Hold thermostat.
4. WITH COOK INDICATOR LIGHT ON AND STEAM ENTERING THE CAVITY, TIMER DIAL FAILS TO TURN.	<ul style="list-style-type: none"> a. Hold position set on timer. b. Timer motor c. Wiring
5. BUZZER FAILS TO SOUND AT END OF 60-MINUTE TIMER MODE.	<ul style="list-style-type: none"> a. 60-Minute timer contacts b. Buzzer c. Wiring
6. STEAM FLOWS CONTINUOUSLY FROM BOILER DRAIN LINE.	<ul style="list-style-type: none"> a. Cooling valve needs replacing b. Wiring c. Thermostat faulty.

TROUBLESHOOTING

TIMER MOTOR

A defective timer motor will cause continuous operation in the TIME mode, with the timer dial failing to return to the "0 - Minute" position.

To confirm timer motor condition, proceed as follows:

1. Carefully check motor wire leads and tighten loose connections.
2. Turn on power to the steamer.
3. Set timer dial (any setting beyond "0 - Minute"). If operation is correct, the motor will turn the dial toward "0 - Minute". If the motor fails to operate, it is defective and the entire timer must be replaced.
4. Shut off power to the cooker

DOOR INTERLOCK SWITCH

Malfunction of the cooker door interlock switch prevents indicator lights from turning on and steam generator from operating when the timer dial is set. If steam does not enter the compartment and the cooking indicator light fails to turn on with the door latch securely engaged, the fault may be in the door interlock switch. Proceed as follows:

1. Turn off power to the cooker.
2. Disconnect wires to the door switch terminals.
3. Connect an ohmmeter between the terminals of the switch. The switch is marked "C" for common, 'NC' for normally closed and "NO" for normally open.
4. Actuate the switch by closing the cooking compartment door. If a zero reading cannot be obtained between the C and NO terminals, the switch is defective and must be replaced.
5. Remove the ohmmeter and replace the leads on switch terminals.

INDICATOR LIGHTS

If the cooker compartment functions correctly, with the single exception that the indicator light fails to light during operation, the fault is a defective indicator light. A "burned out" or defective light is verified by using an AC volt-meter at the leads, with input power on the selector switch in the correct position for that timer, the timer set, and the door latches closed. If 240 volts is present, the fault is in the indicator light and requires replacement. If 240 volts is not present, the fault is in the wiring or control components (selector switch, timer or door switch).

BUZZER

If the buzzer does not sound at the termination of the operator-selected timer setting (timer dial returned to "0 - Minute" position), the fault may be a defective buzzer. Buzzer operation is verified using an AC volt-meter at buzzer coil connections with input power on and selector switch and coinciding timer dial set at the "0 - Minute" position. If voltage is 240 volts, the fault is in the buzzer, which must be replaced. If 240 volts is not present, the fault is in the wiring or control components (timer or selector switch).

WIRING

Using an ohmmeter, wiring continuity between the connections shown on the wiring diagram is readily verified. This is best done in stages, removing only those wires required for each continuity check. As each lead is replaced, it should be checked for evidence of corrosion, and cleaned if necessary. All leads must be tightly attached so as to provide a good electrical connection.

ADJUSTMENTS

WARNING

At least twice a year, have an authorized service person clean and adjust the unit for maximum performance.

ADJUSTMENT FOR HIGH ALTITUDE LOCATIONS

The steamer has been factory set so that when it is ON, and during the READY phase, it will maintain water temperature in the steam generator tank at approximately 200°F (93°C) (just below water boiling point). However, for high altitude locations, an authorized service agency must adjust the steamer to achieve this temperature.

CAUTION

Shut off main electrical power to unit.

DOOR GASKET REPLACEMENT

The cooking compartment door gaskets are made of a silicone-type rubber material that is very durable but subject to wear during normal operation. Should the gasket leak replace it.

1. Open the cooking compartment door.
2. Remove the four screws on the outside of the door frame, and remove the door panel assembly.
3. Remove the six screws from the gasket plate in the door panel assembly.
4. Remove the gasket plate and the door gasket from door panel.
5. Install the new door gasket to the door panel. Replace the gasket plate and six screws.
6. Reassemble the door panel assembly in the door frame using the four screws.
7. Gasket replacement is now complete.

Door may be difficult to close until gasket has compressed to conform to opening. Leaving door closed overnight will compress gasket.

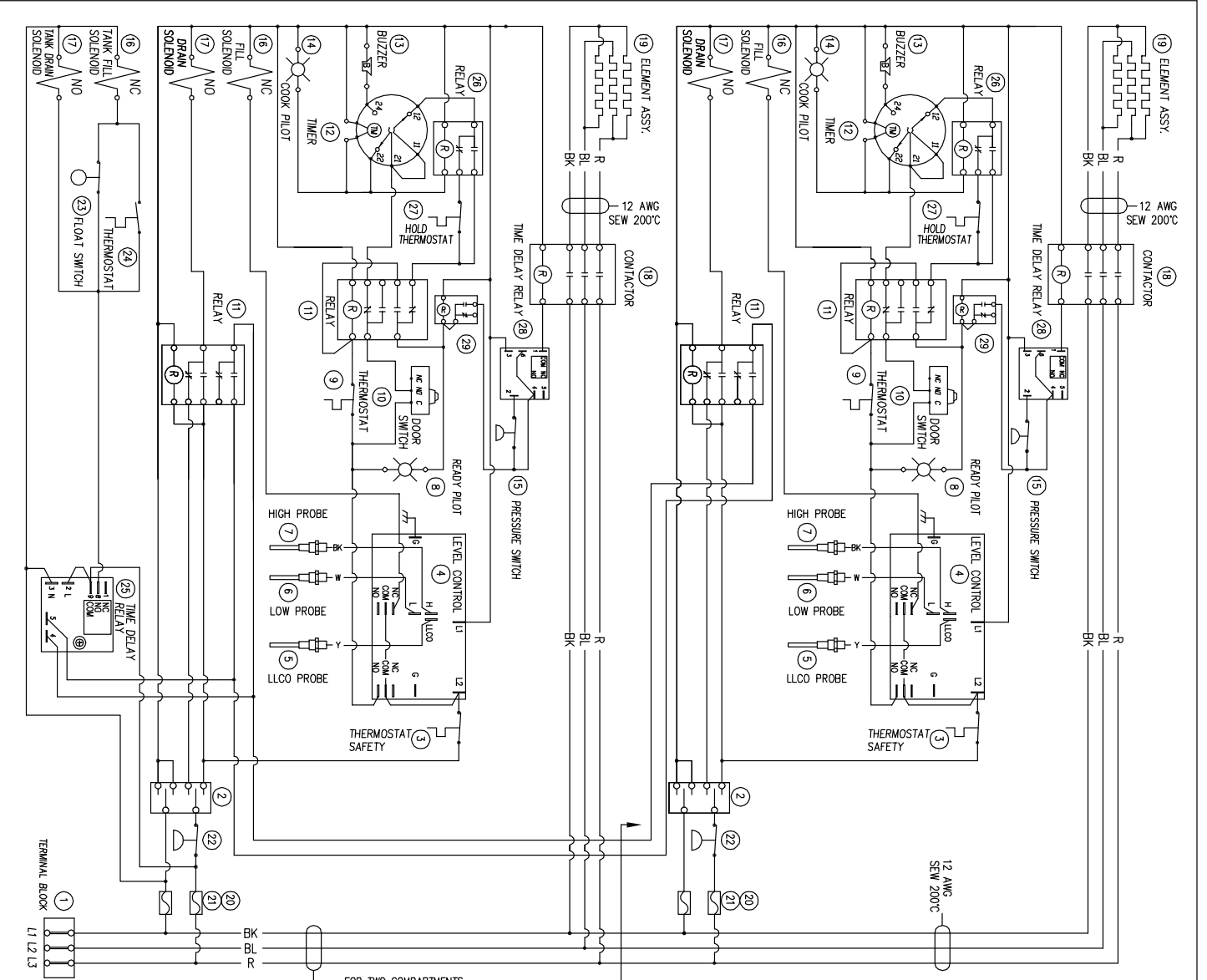
EXTERIOR PANEL REMOVAL

WARNING

To prevent hazard in servicing the cooker, be certain the cold water shut-off valve is closed, and the electrical disconnect circuit breaker for the Cooker unit is OFF before removing side panels.

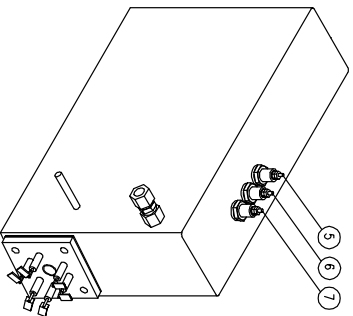
Access to all internal plumbing and electrical assemblies is from the right side. The right-side panel is removed by removing the bottom screws from panel.

WIRING DIAGRAMS



TW	DESCRIPTION	PART NO.	QUANTITY		
1A	TERMINAL BLOCK	4-33TB	3		
1B	TERMINAL BLOCK END	4-33ES	1		
2	SWITCH, ON/DELIME	9124-1	2		
3	THERMOSTAT, HIGH LIMIT SAFETY	9128-1	2		
4	LEVEL CONTROL, 10K OHM	4038-3	2		
5	PROBE, LOW LEVEL CUT-OFF	3738-3	2		
6	PROBE, LOW LEVEL	3738-2	2		
7	PROBE, HIGH LEVEL	4-LLP2	2		
8	READY PILOT, GREEN	4-PI04-1	2		
9	THERMOSTAT, OPERATING	9126-1	2		
10	DOOR SWITCH	9-3213	2		
11	RELAY, DPDT	9-3174	4		
12	TIMER	08-6621	2		
13	BUZZER	4742-1	2		
14	COOKING PILOT, RED	4-PI07-1	2		
15	PRESSURE SWITCH, UNIT RUN	08-6502	2		
16	FILL SOLENOID VALVE	5162-2	3		
17	BLOW-DOWN SOLENOID VALVE	3-SS43-1	3		
18	CONTRACTOR, 208V-240V	4-CG42	2		
*19	ELEMENT ASSEMBLY	SEE BELOW	2		
	Volts	kW	Amps/Phase	Part No.	
20	208	10	27.8	8-5050	
	220	10	26.3	8-5056	
	240	10	24.1	8-5051	
20	FUSE, 2A, 250V			9092-2	4
21	FUSE HOLDER			9068-1	4
22	PRESSURE SWITCH, SAFETY			5445-1	2
23	FLOAT SWITCH			08-5023	1
24	THERMOSTAT			08-6514	1
25	TIME DELAY RELAY, COOLING			9224-2	1
26	RELAY, SPDT			9-3175	2
27	HOLD THERMOSTAT			08-6588	2
28	TIME DELAY RELAY, OPERATING			9242-2	2
29	RELAY, DPDT, 220 VAC			9344-2	2

* SELECT AS REQUIRED FOR VOLTAGE, KW OR MODEL.

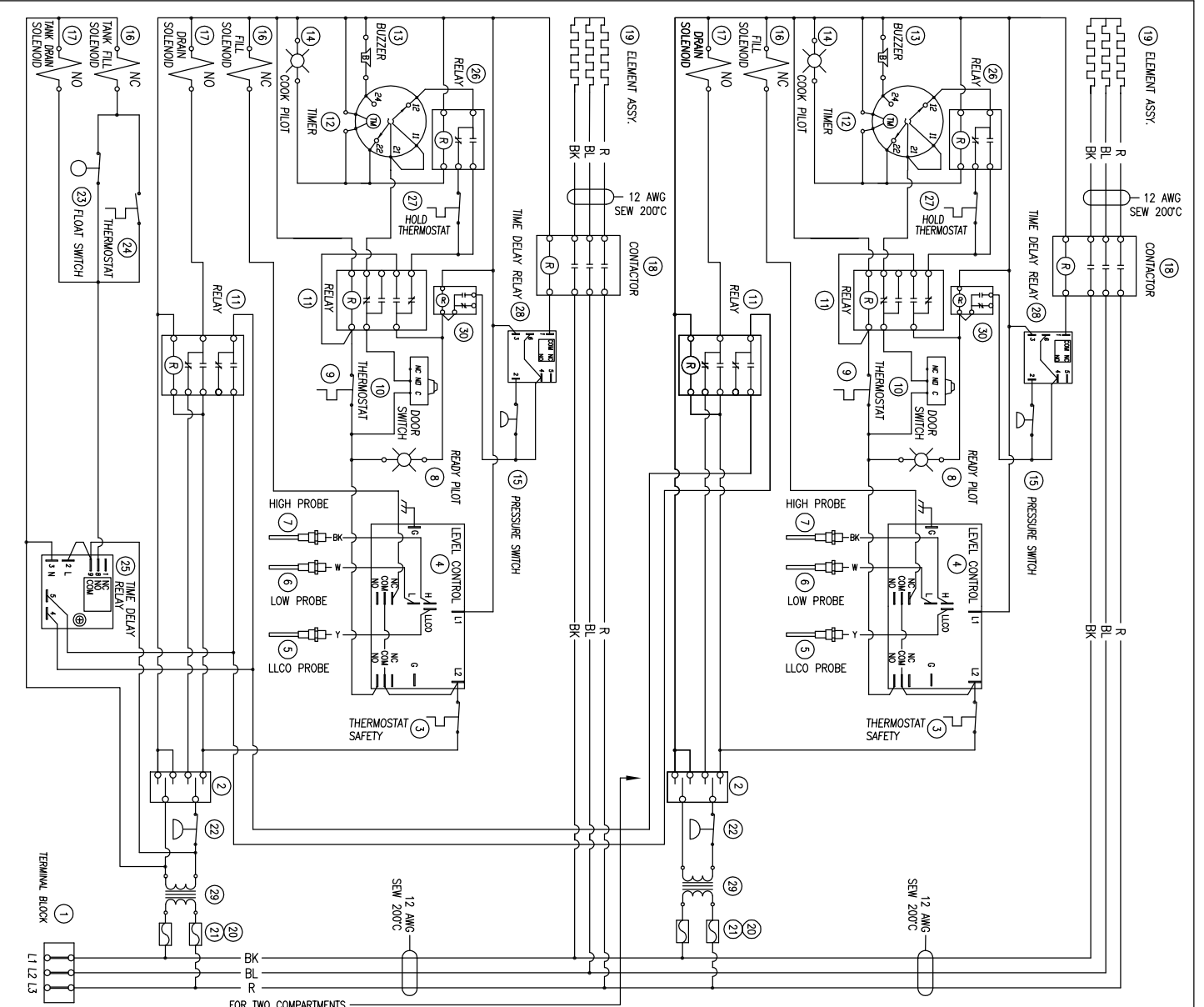


CONTROL CIRCUIT WIRE: 16 AWG SEW 200°C
LOAD CIRCUIT WIRE: 12 AWG SEW 200°C

3E-10067R8

MARKET FORGE ETP-SE, ETP-10E (208-240V)

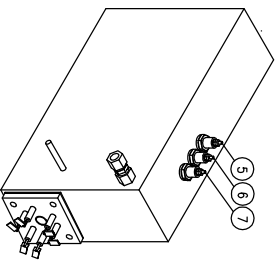
WIRING DIAGRAMS



FOR TWO COMPARTMENTS

TM#	DESCRIPTION	PART NO.	QUANTITY
1A	TERMINAL BLOCK	4-33TB	3
1B	TERMINAL BLOCK END	4-33ES	1
2	SWITCH, ON/DELTIME	9124-1	2
3	THERMOSTAT, HIGH LIMIT SAFETY	9128-1	2
4	LEVEL CONTROL, 10K OHM	4038-3	2
5	PROBE, LOW LEVEL CUT-OFF	3738-3	2
6	PROBE, LOW LEVEL	3738-2	2
7	PROBE, HIGH LEVEL	4-LLP2	2
8	READY PILOT, GREEN	4-PI04-1	2
9	THERMOSTAT, OPERATING	9126-1	2
10	DOOR SWITCH	9-3213	2
11	RELAY, DPDT	9-3174	4
12	TIMER	08-6621	2
13	BUZZER	4742-1	2
14	COOKING PILOT, RED	4-PI07-1	2
15	PRESSURE SWITCH, UNIT RUN	08-6502	2
16	FILL SOLENOID VALVE	5162-2	3
17	BLOW-DOWN SOLENOID VALVE	3-SS43-1	3
18	CONTRACTOR, 208V-240V	4-CQ42	2
*19	ELEMENT ASSEMBLY	SEE BELOW	2
	Volts [Emt. V]	Part No.	
	kW	Amps/Phase	
20	FUSE, 1/2A, 600V	9001-2	4
21	FUSE HOLDER	9002-1	4
22	PRESSURE SWITCH, SAFETY	5445-1	2
23	FLOAT SWITCH	08-5023	1
24	THERMOSTAT	08-6514	1
25	TIME DELAY RELAY, COOLING	9224-2	1
26	RELAY, SPDT	9-3175	2
27	HOLD THERMOSTAT	08-6588	2
28	TIME DELAY RELAY, OPERATING	9242-2	2
*29	TRANSFORMER, 380/415V-240V	4-1251	2
*29	TRANSFORMER, 480V-240V	4-1755	2
*29	TRANSFORMER, 600V-240V	4-1760	2
30	RELAY, DPDT, 220 VAC	9344-2	2

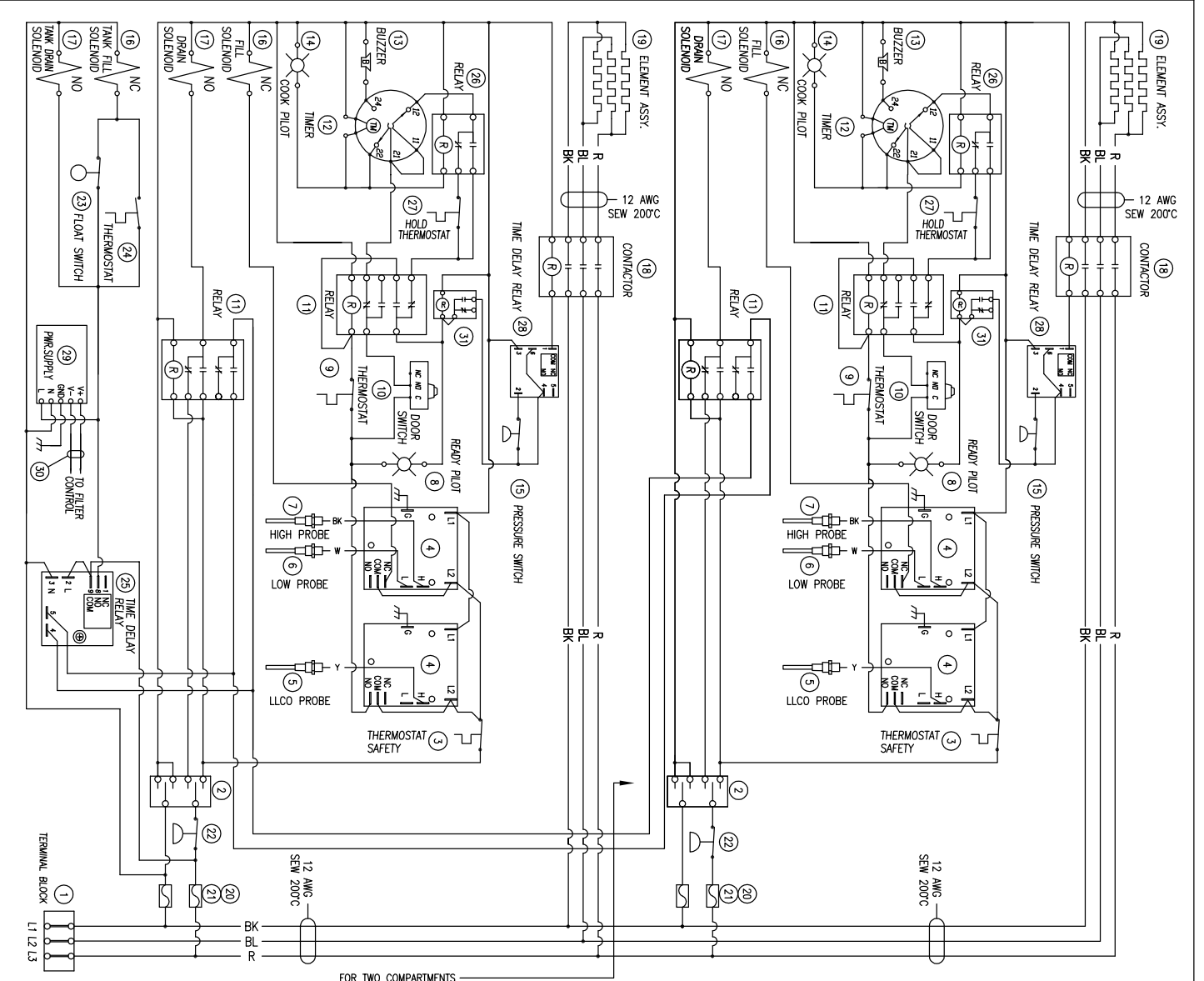
* SELECT AS REQUIRED FOR VOLTAGE, KW OR MODEL.



CONTROL CIRCUIT WIRE: 16 AWG SEW 200°C
LOAD CIRCUIT WIRE: 12 AWG SEW 200°C

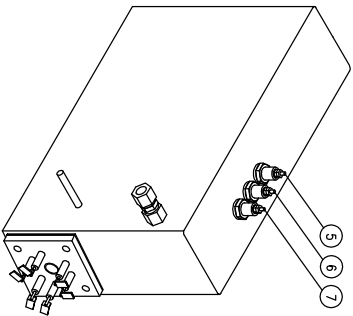
MARKET FORGE ETP-5E, ETP-10E (380-600V)

WIRING DIAGRAMS



ITEM	DESCRIPTION	PART NO.	QUANTITY																
1A	TERMINAL BLOCK	4-337B	3																
1B	TERMINAL BLOCK END	4-33ES	1																
2	SWITCH, ON/DELTIME	9128-1	2																
3	THERMOSTAT, HIGH LIMIT SAFETY	5230-2	2																
4	LEVEL CONTROL, 1M OHM	3738-3	2																
5	PROBE, LOW LEVEL CUT-OFF	4-LLP2	2																
6	PROBE, LOW LEVEL	4-LLP2	2																
7	PROBE, HIGH LEVEL	4-PL04-1	2																
8	THERMOSTAT, OPERATING	9126-1	2																
10	DOOR SWITCH	9-3213	2																
11	RELAY, DPDT	9-3174	4																
12	TIMER	08-6621	2																
13	BUZZER	4742-1	2																
14	COOKING PILOT, RED	4-PI07-1	2																
15	PRESSURE SWITCH, UNIT RUN	08-6502	2																
16	FILL SOLENOID VALVE	5162-2	3																
17	BLOW-DOWN SOLENOID VALVE	3-5545-1	3																
18	CONTACTOR, 208V-240V	4-CG42	2																
*19	ELEMENT ASSEMBLY	SEE BELOW	2																
<table border="1" style="width: 100%; border-collapse: collapse;"> <thead> <tr> <th>Volts</th> <th>kW</th> <th>Amps/Phase</th> <th>Part No.</th> </tr> </thead> <tbody> <tr> <td>208</td> <td>10</td> <td>27.8</td> <td>8-5050</td> </tr> <tr> <td>220</td> <td>10</td> <td>26.3</td> <td>8-5056</td> </tr> <tr> <td>240</td> <td>10</td> <td>24.1</td> <td>8-5051</td> </tr> </tbody> </table>				Volts	kW	Amps/Phase	Part No.	208	10	27.8	8-5050	220	10	26.3	8-5056	240	10	24.1	8-5051
Volts	kW	Amps/Phase	Part No.																
208	10	27.8	8-5050																
220	10	26.3	8-5056																
240	10	24.1	8-5051																
20	FUSE, 2A, 250V		9092-2																
21	FUSE HOLDER		9068-1																
22	PRESSURE SWITCH, SAFETY		5445-1																
23	FLOAT SWITCH		08-5023																
24	THERMOSTAT		08-6514																
25	TIME DELAY RELAY, COOLING		9224-2																
26	RELAY, SPDT		9-3175																
27	HOLD THERMOSTAT		08-6588																
28	TIME DELAY RELAY, OPERATING		9242-2																
29	POWER SUPPLY, 240V-5VDC		98-4206																
30	ADAPTER CORD		9426-1																
31	RELAY, DPDT, 220 VAC		9344-2																

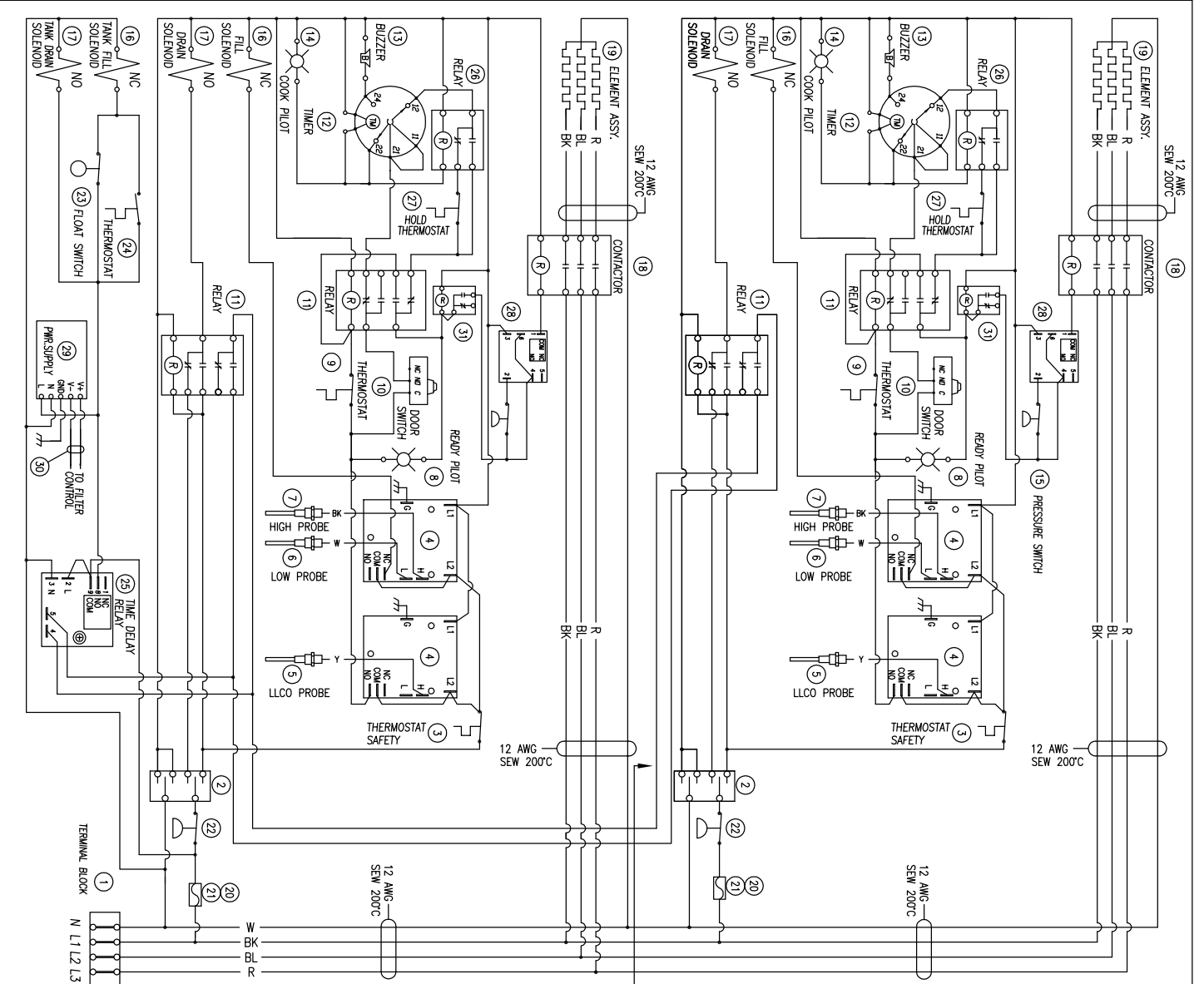
* SELECT AS REQUIRED FOR VOLTAGE, KW OR MODEL.



CONTROL CIRCUIT WIRE: 16 AWG SEW 200°C
LOAD CIRCUIT WIRE: 12 AWG SEW 200°C

MARKET FORGE: ETP-5E, ETP-10E, R.O. CONTROLS (208-240V)

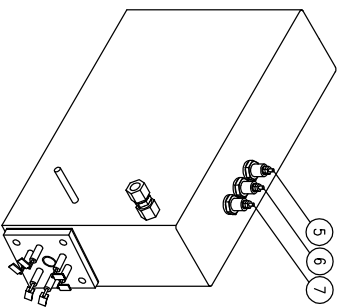
WIRING DIAGRAMS



FOR TWO COMPARTMENTS

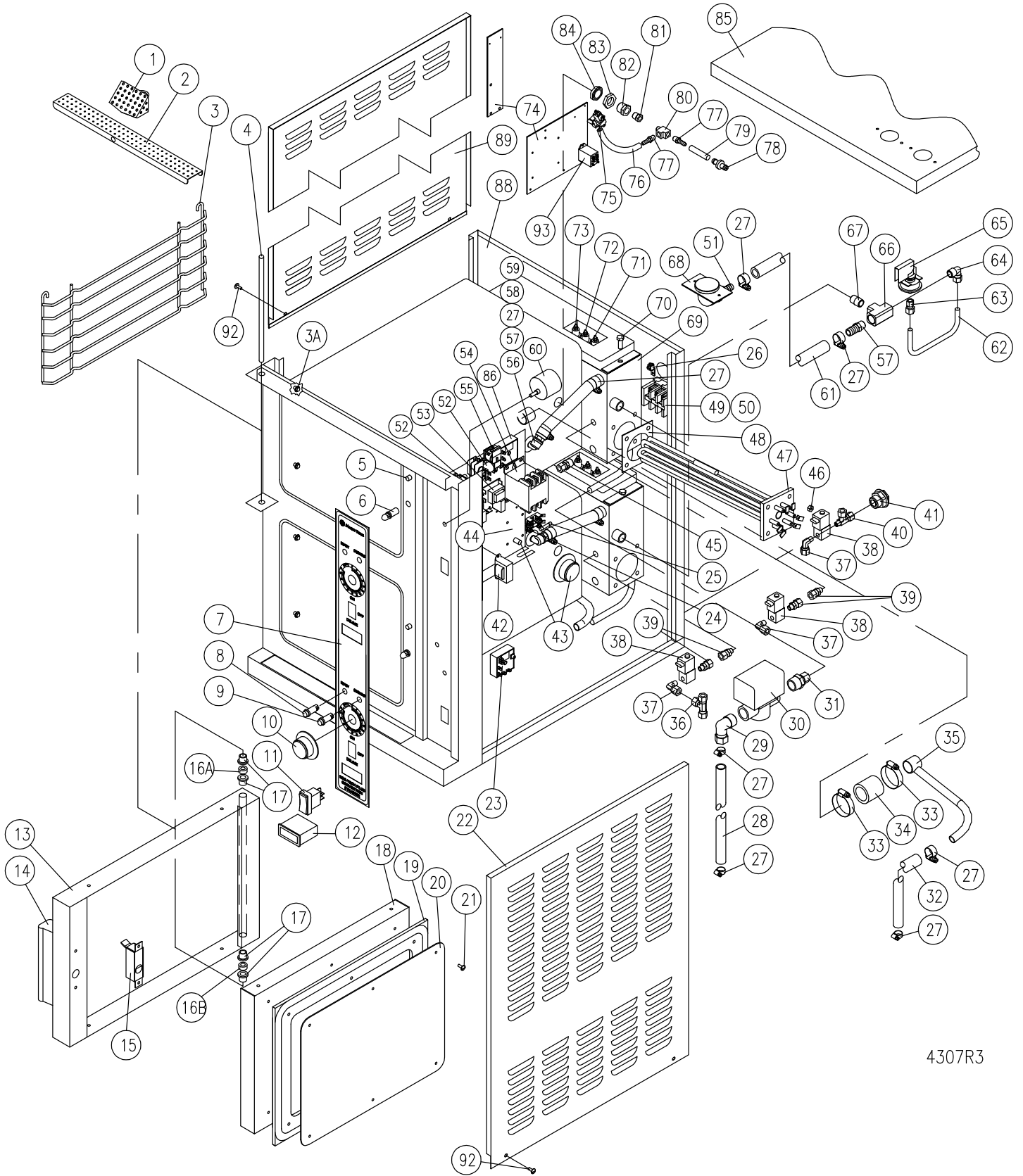
ITEM	DESCRIPTION	PART NO.	QUANTITY
1A	TERMINAL BLOCK	4-337B	4
1B	TERMINAL BLOCK END	4-33ES	1
2	SWITCH, ON/DELTIME	9124-1	2
3	THERMOSTAT, HIGH LIMIT SAFETY	9128-1	2
4	LEVEL CONTROL, 1M OHM	5230-2	4
5	PROBE, LOW LEVEL CUT-OFF	3738-3	2
6	PROBE, LOW LEVEL	3738-2	2
7	PROBE, HIGH LEVEL	4-LLR2	2
8	READY PILOT, GREEN	4-PLD4-1	2
9	THERMOSTAT, OPERATING	9126-1	2
10	DOOR SWITCH	9-3213	2
11	RELAY, DPDT	9-3174	4
12	TIMER	08-6621	2
13	BUZZER	4742-1	2
14	COOKING PILOT, RED	4-PLD7-1	2
15	PRESSURE SWITCH, UNIT RUN	08-6502	2
16	FILL SOLENOID VALVE	5162-2	3
17	BLOW-DOWN SOLENOID VALVE	3-SS43-1	3
18	CONTACTOR, 208V-240V	4-CG42	2
*19	ELEMENT ASSEMBLY	SEE BELOW	2
	Volts		
	[Emt. V]		
	220/380		
	[220]		
	240/415		
	[240]		
	kW	Amps/Phase	Part No.
20	FUSE, 2A, 250V		9092-2
21	FUSE HOLDER		9068-1
22	PRESSURE SWITCH, SAFETY		5445-1
23	FLOAT SWITCH		08-5023
24	THERMOSTAT		08-6514
25	TIME DELAY RELAY, COOLING		9224-2
26	RELAY, SPDT		9-3175
27	HOLD THERMOSTAT		08-6588
28	TIME DELAY RELAY, OPERATING		9242-2
29	POWER SUPPLY, 240V-5VDC		98-4206
30	ADAPTER CORD		9246-1
31	RELAY, DPDT, 220 VAC		9344-2

* SELECT AS REQUIRED FOR VOLTAGE, KW OR MODEL.



CONTROL CIRCUIT WIRE: 16 AWG SEW 200°C
LOAD CIRCUIT WIRE: 12 AWG SEW 200°C

STEAMER EXPLODED VIEW



4307R3

STEAMER EXPLODED VIEW

	ITEM	PART NO.	DESCRIPTION	ETP-5E	ETP-10E
	1	97-6334	Compartment Strainer	1	2
	2	97-6177	Perforated Trough	1	1
	3	97-6175	Pan Rack	2	4
	4	97-6269	Hinge Rod		2
	5	97-6191	Door Switch	1	2
		97-6301	Switch Actuator	1	2
		97-6429	Switch Actuator	1	2
	6	97-6178	Striker	1	2
	7	97-6580	Control Panel Decal, ETP-10E		1
	8	97-6270	Pilot Light, Green, 250V	1	2
	9	97-6271	Pilot Light, Red, 250V	1	2
	10	98-6046	Knob	1	2
	11	97-6272	Switch, On/Delime	1	2
	12	08-7521	Temperature Indicator	1	2
	12A	91-6491	Grommet	1	2
	13	97-6227	Outer Door Shell	1	2
	14	97-6432	Door Handle Assembly	1	2
	15	97-6232	Latch Assembly	1	2
	16	97-6236	Spacer, Upper	1	2
	17	97-6261	Bushing	4	8
	18	97-6230	Door Panel	1	2
	19	97-6228	Door Gasket	1	2
	20	97-6229	Gasket Retaining Plate	1	2
	21	97-6233	Gasket Panel Screws	6	12
	22		Right Side Panel		1
	23		See Component Panel page		
**	24	97-5864	Fuse Holder (208 - 240V)	1	2
		98-6187	Fuse Holder (380 - 600V)	1	2
		97-5864	Fuse Holder (220/380V, 240/415V)	1	1
**	25	97-6186	Fuse (208 - 240V)	1	2
		98-6188	Fuse (380 - 600V)	1	2
		97-6186	Fuse, (220/380V, 240/465V)	1	1
	26	97-5052	Grounding Lug	1	1
	27	97-6481	Hose Clamp	10	20
	28	97-6434	Upper Tubing, Silicone, 5/8" ID x 13/16" OD x 30 Lg		1

* NOT SHOWN ** SELECT AS REQUIRED

STEAMER EXPLODED VIEW

	ITEM	PART NO.	DESCRIPTION	ETP-5E	ETP-10E
		97-6584	Lower Tubing, Silicone, 5/8" ID x 13/16" OD x 12 Lg		1
**	29	97-6436	Brass Elbow, 5/8" C x 3/4" MPT		2
	30	97-6283	Blowdown Solenoid Valve	1	2
		97-6210	Blowdown Solenoid Valve	1	2
	31	97-6326	Brass Connector, 1/2" C x 3/4" MPT	1	2
	32	97-6583	Upper Tubing, Silicone, 5/8" ID x 13/16" OD x 32 Lg		1
		97-6582	Lower Tubing, Silicone, 5/8" ID x 13/16" OD x 11 Lg		1
	33	97-6443	Hose Clamp	2	4
	34	97-6444	Drain Hose	1	2
	35	97-6445	Drain Tube Assembly	1	2
	36	97-6440	Brass Tee, 3/8" C		1
	37	97-6188	Brass Elbow, 3/8" C x 1/8" MPT		2
	38	97-6308	Solenoid Valve		3
		97-6282	Solenoid Valve		3
	39	97-6344	Brass Connector, 3/8" C x 1/8" MPT		3
	40	97-6327	Brass Tee, 3/8" C x 1/8" MPT x 3/8"C		1
	41	97-6226	Bulk Head Union, 3/8" NPT		1
	42	97-6306	Transformer, 230 - 120V	1	2
	43		See Component Panel page		
		97-6987	Dial		2
	44	97-6278	High Limit Safety Thermostat	1	2
	45	97-5619	Thermostat Fitting, 3/8" C x 3/8" MPT	1	2
	46	97-6585	Hex Nut, 1/4 - 20 UNC	1	8
**	47	97-6309	Element Assembly, 10 kW, 208V	1	2
		97-6310	Element Assembly, 10 kW, 220V (220V, 380V Units)	1	2
		97-6311	Element Assembly, 10 kW, 240V (240V, 415V Units)	1	2
		97-6312	Element Assembly, 10 kW, 277V (480V Units)	1	2
		97-6313	Element Assembly, 10 kW, 347V (600V Units)	1	2
	48	97-6319	Element Gasket	1	2
**	49	10-6962	Terminal Block, White	3	3
		97-6586	Terminal Block Rail, 3"	1	1
		10-6962	Terminal Block (380/220V, 415/240)	4	4
			Rail 3.75L		
**	50	98-6186	Terminal Block End, White	1	1
	51	97-6587	Brass Hose Barb, 5/8" x 1/2" NPT		2

* NOT SHOWN ** SELECT AS REQUIRED

STEAMER EXPLODED VIEW

	ITEM	PART NO.	DESCRIPTION	ETP-5E	ETP-10E
		97-6422	Brass Hose Barb, 5/8" x 1/2" NPT		2
	52		See Component Panel page		
**	53		See Component Panel page		
			See Component Panel page		
	54		See Component Panel page		
	55		See Component Panel page		
			See Component Panel page		
	56	97-6420	Brass Street Elbow, 3/8" FPT x 1/4" MPT		4
	57	97-6588	Brass Hose Barb, 5/8" x 3/8" MPT		6
	58	97-6589	Right Hand Hose Silicone Blue, 5/8" ID x .955" OD x 10 Lg		2
	59	97-6590	Left Hand Hose Silicone Blue, 5/8" ID x .955" OD x 9.5 Lg		2
**	60	08-6621	240V, Timer	1	2
**	61	97-6424	Hose, Upper, 5/8" ID x 21" Long		1
		97-6425	Hose, Lower, 5/8" ID x 37"		1
	62	97-6351	Pressure Switch Tube	1	2
	63	97-6591	Connector, 3/8"C x 1/8" FPT		2
	64	97-6346	Brass Elbow, 3/8" C x 3/8" MPT		2
	65	97-6347	Pressure Switch, Safety 5 PSI	1	2
	66	97-6592	Brass Extruded Tee, 3/8"		2
	67	97-6593	Brass Close Nipple, 3/8"		2
	68	91-7594	Delime Elbow Assembly	1	2
		91-7765	Clean Port Plug, with "O" Ring	1	2
		08-7511	"O" Ring		2
	69	97-6321	Generator Tank	1	2
		97-6322	Tank Cover		
		97-6323	Tank Gasket	1	2
	70	97-6594	Hex Head Bolt, 5/16 - 18 UNC x 1" Long		4
	71	97-6324	Probe - Low Level Cut-Off	1	2
	72	97-6325	Probe - Low Level	1	2
	73	97-6326	Probe, High Level	1	2
	74	97-6595	Pressure Switch Bracket	1	2
	75		See Component Panel page		
	76	97-6446	Tubing, Silicone, 1/4" ID x 8" Long		2
	77	97-6596	Brass Hose Barb, 1/4" x 1/8" MPT		4
		97-6447	Brass Hose Barb, 1/4" x 1/8" MPT	2	

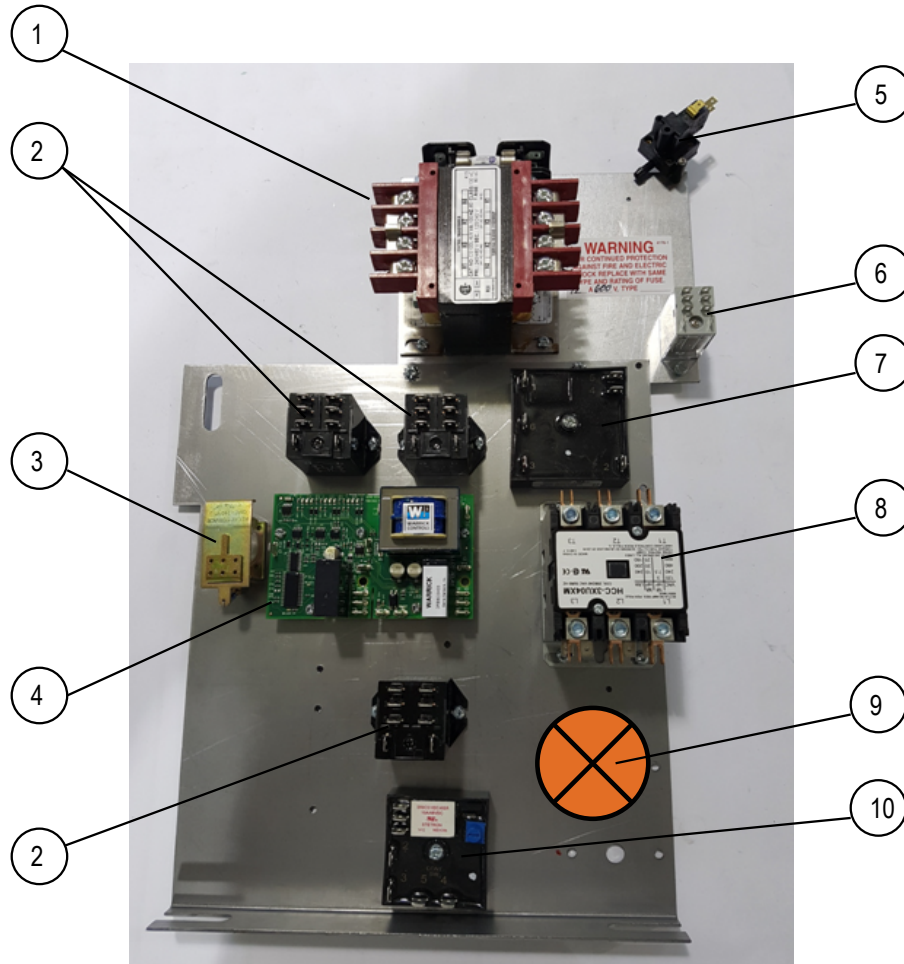
* NOT SHOWN ** SELECT AS REQUIRED

STEAMER EXPLODED VIEW

	ITEM	PART NO.	DESCRIPTION	ETP-5E	ETP-10E
	78	08-5015	Check Valve	1	2
	79	97-6597	Tubing, Silicone, 1/4" ID x 2" Long		2
		97-6449	Tubing, Silicone, 1/4" ID x 2" Long	1	
	80	97-6598	Brass Extruded Tee, 1/8" FPT		2
	81	97-6452	Brass Bushing, NPT, 1/4" to 1/8"		2
	82	97-6453	Brass Bushing, NPT, 1/2" to 1/4"		2
	83	97-6454	Brass Locknut, 1/2" NPT		2
	84	10-4586	Sealing Nut, 1/2" NPT		2
	85	97-6599	Top Panel		1
	86	97-6600	Time Delay Relay, Operating, 30 Seconds	1	2
*	87		See Component Panel page		
*	90	08-6588	Hold Thermostat, 175°F	1	2
** *	91		See Component Panel page		
			See Component Panel page		
			See Component Panel page		
	92		Truss, HD Screw #10-32 UNF x 1/2	2	2
	93		12 Amp Power Relay, DPDT 220V	1	1

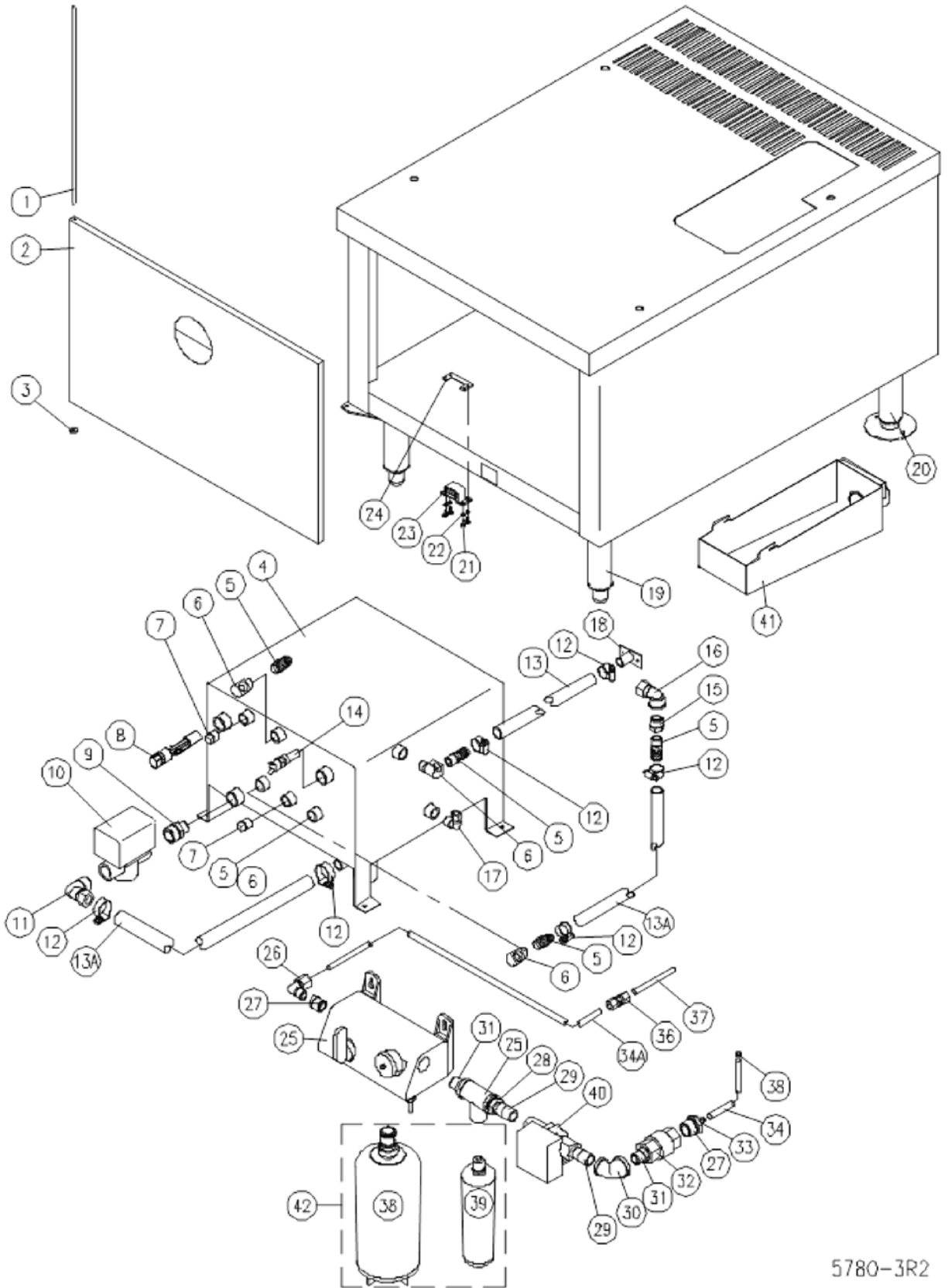
* NOT SHOWN ** SELECT AS REQUIRED

COMPONENT PANEL



ITEM	PART NO.	DESCRIPTION	QTY
1	97-5613	TRANSFORMER - 480V-240V 100VA	1
	97-5616	TRANSFORMER - 380-415V-240V 100VA	1
	98-6191	TRANSFORMER - 600V-240V 100VA	1
2	97-9080	RELAY - DPDT 240V	3
3	97-5945	BUZZER - 240V	1
4	97-6276	WATER LEVEL BOARD - 240V - 10K Ohm	1
	97-6277	WATER LEVEL BOARD - 240V - 1M Ohm	1
5	08-6502	WC PRESSURE SWITCH	1
6	92-0189	RELAY	1
7	97-6600	TIME DELAY RELAY - 240V - OPERATING	1
8	97-5610	CONTACTOR - 240V	1
9	97-5048	THERMOSTAT, PREHEAT	1
10	97-6581	TIME DELAY RELAY - 240V - COOLING	1

CABINET ASSEMBLY



5780-3R2

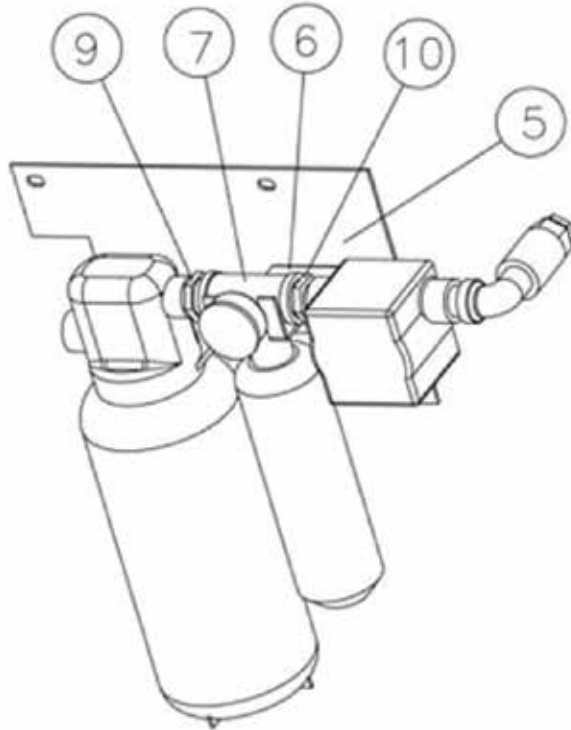
CABINET ASSEMBLY

	ITEM	PART NO.	DESCRIPTION	ETP-5E	ETP-10E
**	1	97-6537	Hinge Rod	1	
		97-6473	Hinge Rod		1
**	2	97-6538	Cabinet Door Assembly	1	
		97-6539	Cabinet Door Assembly		1
	3	~NPN~	Flat Washer	1	1
	4	98-3784	Tempering Tank	1	1
	5	97-6421	Brass Hose Barb, 5/8" x 3/8" MPT	5	7
	6	97-6476	Brass Extruded, 90° Street Elbow, 3/8"	4	6
	7	~NPN~	Brass Square Head, 3/8"	2	
	8	08-5023	Float Switch	1	1
	9	97-6477	Hex Nipple, 3/4" MPT x 1/2" MPT	1	1
	10	97-5946	Drain Valve, Tank	1	1
	11	97-6436	Brass Elbow, 90°, 5/8" C x 3/4" MPT	1	1
	12	97-6422	Hose Clamp, 5/8 - 1-1/4"	6	6
**	13	97-6439	Hose, 5/8" I.D. x 16" Long	1	
		97-6480	Hose, 5/8" I.D. x 14" Long		1
	13A	97-6480	Hose, 5/8" I.D. x 14" Long	2	2
	14	08-6514	Tank Thermostat, 130°F	1	1
	15	97-6482	Brass Bushing, 1/2" MPT to 3/8" FPT	1	1
	16	97-6483	Brass Elbow, 90°, 5/8" C x 1/2" FPT	1	1
	17	97-6346	Brass Elbow, 90°, 3/8" C x 3/8" MPT	1	1
	18	97-6484	Vent	1	1
**	19	97-6415	Bullet Leg, Optional	2	2
*		97-6406	Swivel Caster, 5", c/w Brake, Optional	2	2
**	20	97-6486	Adjustable Flanged Foot	2	2
*		97-6561	Swivel Caster, 5", Optional	2	2
	21	97-6487	Pan Slot Head Screws, #6-32 UNC x 3/8" Long	4	4
	22	97-6488	Spring Lock Washer, #6	4	4
	23	97-6489	Magnetic Catch	1	1
	24	97-6490	Magnetic Catch Plate	1	1
	25	97-6540	Manifold Assembly with Check Valve and Tee Fitting	1	1
	26	97-6541	Elbow, 3/8" C to 3/8" MPT, Nylon	1	1
	27	97-6542	Bushing, 3/4" to 3/8", Nylon	2	2
	28	97-6543	Bushing, 3/4" to 1/2", Nylon	1	1
	29	97-6544	Nipple, 1/2" NPT, Nylon	2	2

CABINET ASSEMBLY

	ITEM	PART NO.	DESCRIPTION	ETP-5E	ETP-10E
	30	97-6545	Reducing Elbow, 3/4" to 1/2", Brass	1	1
	31	97-6546	Nipple, 3/4" NPT, Nylon	2	2
	32	08-8053	Check Valve, Nylon	1	1
	33	97-6547	Connector, 3/8" C to 3/8" MPT, Nylon	1	1
	34	97-6548	Tubing, 3/8" O.D., x 18" Long, Nylon		1
	34A	~NPN~	Tubing, 3/8" O.D. x 30" Long, Nylon	1	1
	35	97-6549	Sleeve, 3/8", Brass	2	2
	36	97-6550	Connector, 3/8" C to 3/8" Nylon	1	1
	37	~NPN~	Tubing, 3/8" O.D. x 8" Long, Copper	1	1
	38	08-8020	Filter, Large (* See Item 42).	1	1
	39	08-8008	Filter, Small, Scale Inhibitor(* See Item 42)	1	1
	41	97-6411	Drain Collector	1	1
	42	08-8052	* Kit, Filter Replacement Cartridges	1	1

ALTERNATE FILTER SYSTEM



ITEM	PART NO.	DESCRIPTION
1	08-8020	CUNO HF-40 Filter Cartridge (One Included in Kit 08-8052)
2	08-8008	CUNO HF8-S Filter Cartridge (One Included in Kit 08-8052)
4	08-8055	CUNO Filter Head, VH3 – NPT without Gauge Port
5	98-4378	Mounting Plate, CUNO Filter Assy
6	98-4379	Retainer Bracket, CUNO Filter Assy
7	08-8057	Tee, CUNO SF-18-S, Scale Feeder
8	08-8059	CUNO Pressure Gauge
9	97-6542	Reducing Nipple, Nylon, 3/4 x 3/8 NPT
10	97-6543	Reducing Nipple, Nylon, 3/4 x 1/2 NPT
11	08-8052	CUNO Filter Cartridge Kit (Includes HF-40 and HF8-S)