

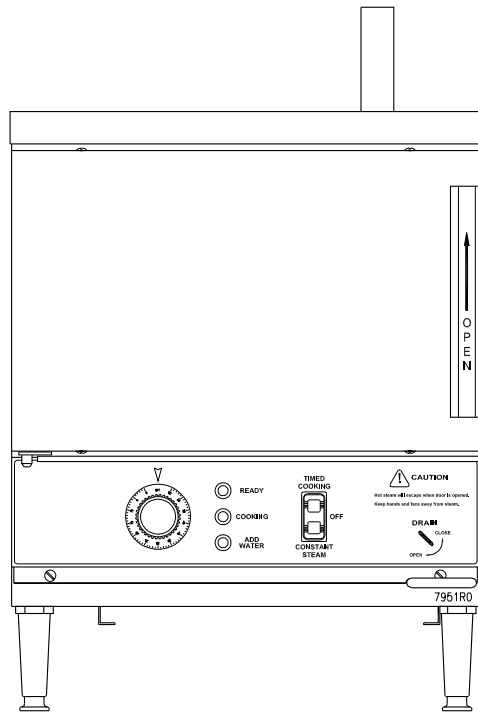


IMPORTANT FOR FUTURE REFERENCE
 Please complete this information and retain this manual for the life of the equipment:

Model #: _____
 Serial #: _____
 Date Purchased: _____

PARTS LIST

9`YwfjW7 ci bhYf`DUb`GhYUa Yf
 9 DLB!' ``9 DLB!)



WARNING

Improper installation, adjustment, alteration, service or maintenance can cause property damage, injury or death. Read the installation, operating and maintenance instructions thoroughly before installing or servicing this equipment.

CROWN FOOD SERVICE EQUIPMENT

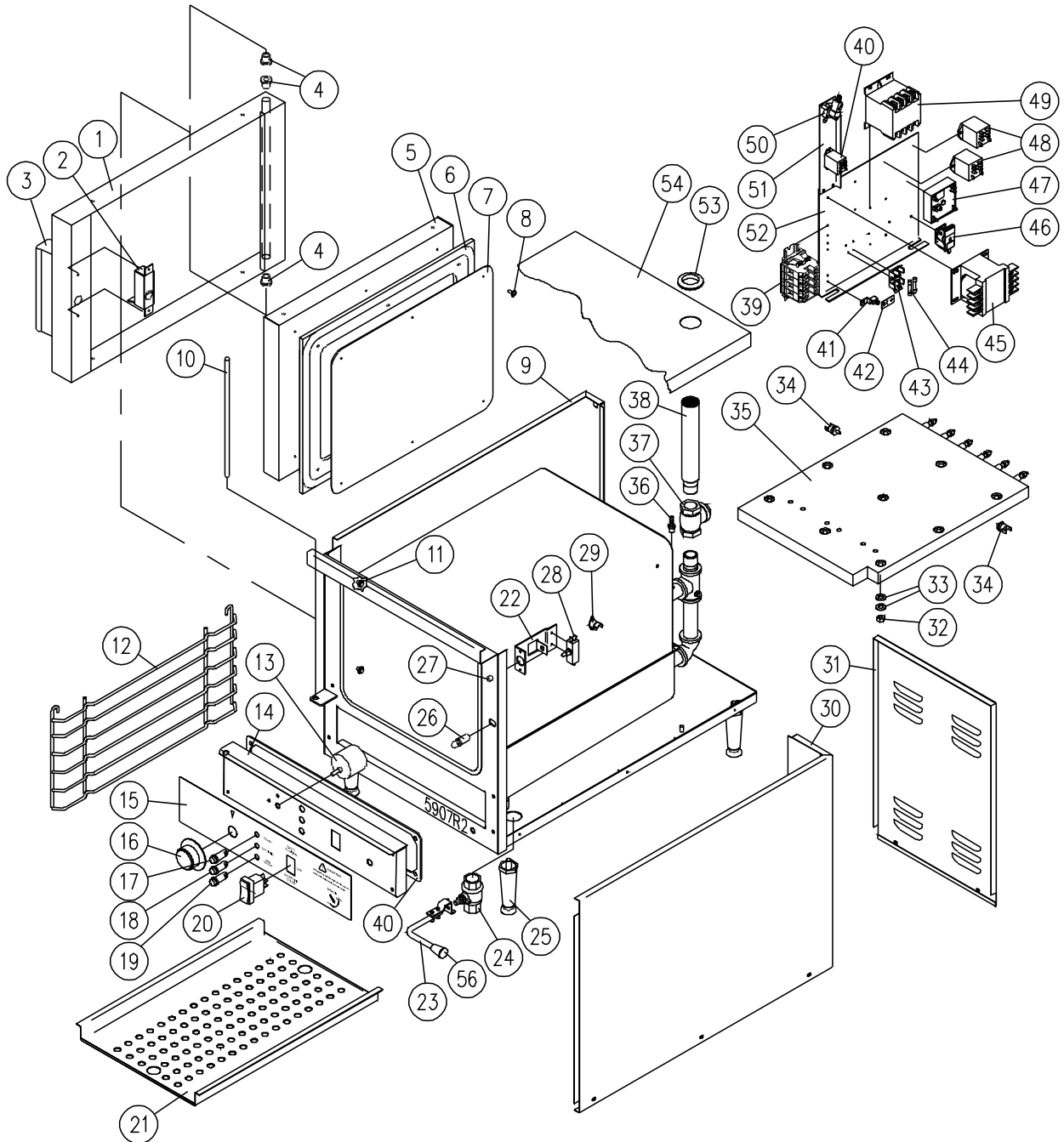
A Middleby Company
 70 Oakdale Road, Downsview (Toronto) Ontario, Canada, M3N 1V9
 Telephone: 919-762-1000 www.crownsteamgroup.com
 Printed in Canada



PARTS LIST, PAN STEAMERS, MODELS EPXN-3 AND EPXN-5

GENERAL ASSEMBLY

FIGURE 1



PARTS LIST, PAN STEAMERS, MODELS EPXN-3 AND EPXN-5

FIGURE 1

<u>ITEM</u>	<u>PART NUMBER</u>	<u>DESCRIPTION</u>	<u>QUANTITY</u>		
			<u>EPXN-3</u>	<u>EPXN-5</u>	
1.	2822-1	Door, Outer Shell	1		
	2840-1	Door, Outer Shell		1	
2.	3900-1	Latch Assembly	1	1	
3.	3903-2	Door Handle Assembly	1	1	
3A.	3646-1	Decal, Door Handle	1	1	
4.	8-5078	Bushing	3	3	
5.	8-5065-9	Panel	1		
	8-5065-8	Panel		1	
6.	8-5063-9	Gasket	1		
	8-5063-8	Gasket		1	
7.	8-5064-9	Gasket Retaining Plate	1		
	8-5064-8	Gasket Retaining Plate		1	
8.	9423-1	Special Screw	6	8	
9.	7944-1	Left Panel	1		
	7944-2	Left Panel		1	
10.	8-5077-9	Hinge Rod	1		
	8-5077-8	Hinge Rod		1	
11.	4721-1	Pan Rack, Hanger Assembly	6	6	
12.	2681-1	Pan Rack	2		
	2681-3	Pan Rack		2	
**	13.	4-T209-1	Timer, 60 Minutes	1	1
		9386-2	Timer, 120 Minutes	1	1
14.	8183-1	Control Panel	1	1	

PARTS LIST, PAN STEAMERS, MODELS EPXN-3 AND EPXN-5

<u>ITEM</u>	<u>PART NUMBER</u>	<u>DESCRIPTION</u>	<u>QUANTITY</u>		
			<u>EPXN-3</u>	<u>EPXN-5</u>	
15.	7949-1	Decal, Control Panel	1	1	
**	16.	4104-1	Knob, 60 Minutes, 60 Hz	1	1
		4103-1	Knob, 60 Minutes, 50 Hz, Optional	1	1
		4105-1	Knob, 120 Min. 60 Hz, Optional	1	1
17.	4-PL04-1	Pilot Lamp, Green, Ready	1	1	
18.	4-PL07-1	Pilot Lamp, Red, Cooking	1	1	
19.	4-PL06-1	Pilot Lamp, Amber, Low Water	1	1	
20.	9124-1	Switch ON/OFF/ON	1	1	
21.	7761-1	Deflector Plate	1	1	
22.	5908-1	Door Switch Bracket	1	1	
23.	4934-1	Drain Handle Assembly	1	1	
24.	4918-1	Drain Valve	1	1	
25.	5-FS66	Leg Assembly	4	4	
26.	8-5021	Striker	1	1	
26A.	S05N-14	Lock Washer,	1	1	
26B.	8-5022	Stainless Steel Washer	1	1	
26C.	1-99S0	Hex Nut, 1/2-20 UNF, Stainless Steel	1	1	
27.	9-3336	Actuator Rod with Clip	1	1	
28.	9-3213	Door Switch	1	1	
29.	9077-1	Thermostat, Stand-By	1	1	
30.	7945-1	Right Panel	1		
	7945-2	Right Panel		1	
31.	7946-1	Rear Panel	1		
31.	7946-2	Rear Panel		1	
32.	9029-2	Hex Nut, 5/16-18	9	9	

PARTS LIST, PAN STEAMERS, MODELS EPXN-3 AND EPXN-5

<u>ITEM</u>	<u>PART NUMBER</u>	<u>DESCRIPTION</u>	<u>QUANTITY</u>		
			<u>EPXN-3</u>	<u>EPXN-5</u>	
33.	9063-1	Spring Disc, 3/4 O.D.	18	18	
34.	4914-1	Thermostat, High Limit	2	2	
**	35.	7952-1	Element Assembly, 208V, 9 kW	1	
		7952-2	Element Assembly, 220V, 380V, 9 kW	1	
		7952-3	Element Assembly, 240V, 415V, 9 kW	1	
		7952-4	Element Assembly, 480V, 9 kW	1	
		7952-5	Element Assembly, 600V, 9 kW	1	
		7952-6	Element Assembly, 208V, 15 kW		1
		7952-7	Element Assembly, 220V, 380V, 15 kW		1
		7952-8	Element Assembly, 240V, 415V, 15 KW		1
		7952-9	Element Assembly, 480V, 15 kW		1
		7952-10	Element Assembly, 600V, 15 kW		1
	36.	3-1254A	Brass Hose Barb, 1/4 x 1/8 MPT	1	1
*		9222-090	Tube, 1/4" x 9" Long	1	1
	37.	5808-1	Restrictor Valve	1	1
	38.	5842-1	Vent Tube	1	
		5842-2	Vent Tube		1
**	39.	6161-3	Modular Terminal Assembly, 3 Pole (380-600V)	1	1
		Includes the following parts:			
		9374-1	Modular Terminal, Grey	3	3
		9375-1	End Plate	1	1
		9369-1	End Clamp	2	2
		9368-079	Mounting Rail, 79 mm	1	1

PARTS LIST, PAN STEAMERS, MODELS EPXN-3 AND EPXN-5

<u>ITEM</u>	<u>PART NUMBER</u>	<u>DESCRIPTION</u>	<u>QUANTITY</u>		
			<u>EPXN-3</u>	<u>EPXN-5</u>	
**	6161-4	Modular Terminal Assembly, 4 Pole (208-240V) Includes the following parts:	1	1	
	9374-1	Modular Terminal, Grey	4	4	
	9375-1	End Plate	1	1	
	9369-1	End Clamp	2	2	
	9368-098	Mounting Rail, 98 mm	1	1	
**	6161-4N	Modular Terminal Assembly, 3 Pole with Neutral (380/220V, 415/240V) Includes the following parts:	1	1	
	9374-1	Modular Terminal, Grey	3	3	
	9374-2	Modular Terminal, Blue	1	1	
	9375-1	End Plate	1	1	
	9369-1	End Clamp	2	2	
	9368-098	Mounting Rail, 98 mm	1	1	
40.	5923-1	Front Panel Gasket	1	1	
41.	4-70EU	Grounding Lug	1	1	
42.	4188-1	Earth I.D. Tag	1	1	
**	43.	9068-1	Fuse Holder, 208-240V	2	2
		9002-1	Fuse Holder, 380-600V	2	2
		9068-1	Fuse Holder, 380/220V, 415/240V	1	1
**	44.	9092-1	Fuse, 1A, 250V, (208-240V)	2	2
		9001-2	Fuse, 1/2A, 600V (380-600V)	2	2
		9092-1	Fuse, 1A, 250V (380/220V, 415/240V)	1	1
**	45.	4-T251	Transformer, 380/415V-120/220V	1	1

PARTS LIST, PAN STEAMERS, MODELS EPXN-3 AND EPXN-5

<u>ITEM</u>	<u>PART NUMBER</u>	<u>DESCRIPTION</u>	<u>QUANTITY</u>	
			<u>EPXN-3</u>	<u>EPXN-5</u>
	4-T255	Transformer, 240/480V-120/240V	1	1
	4-T260	Transformer, 600V-120/240V	1	1
46.	4742-1	Buzzer	1	1
47.	9242-2	Time Delay Relay, 230V	1	1
48.	9332-2	Relay, DPDT, 240V, 30A	2	2
** 49.	4-CG42-1	Contactor, 4 Pole, 208V - 240V	1	1
	9348-208	Contactor, 3 Pole, 380 - 600V	1	1
50.	9247-1	Pressure Switch	1	1
51.	5840-2	Pressure Switch Bracket	1	1
52.	7956-1	Component Board	1	1
53.	3842-4	Grommet	1	1
54.	7943-1	Top Panel	1	1
55.	9344-2	Relay, DPDT, 220 VAC, 12A	1	1
56.	4935-1	Knob	1	1

* NOT SHOWN.

** SELECT AS REQUIRED.