

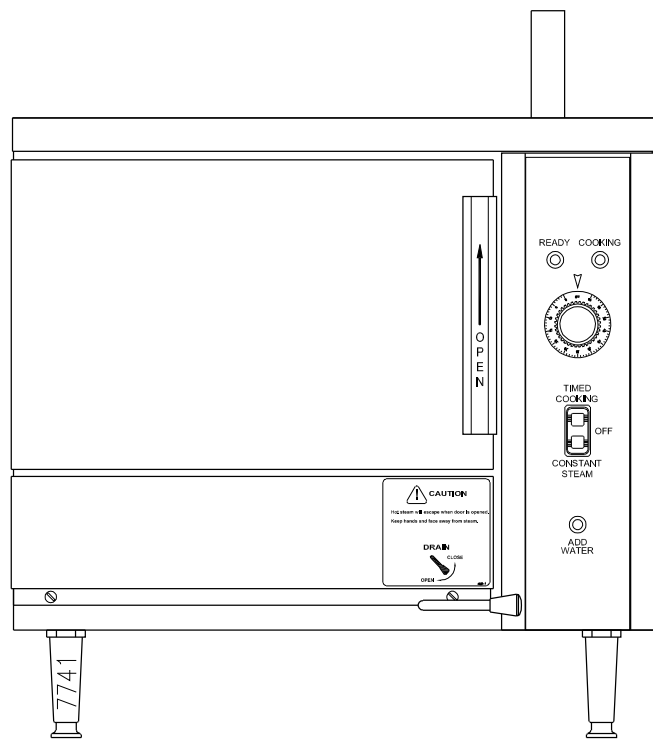


**IMPORTANT FOR FUTURE REFERENCE**  
Please complete this information and retain this manual for the life of the equipment:

Model #: \_\_\_\_\_  
Serial #: \_\_\_\_\_  
Date Purchased: \_\_\_\_\_

# PARTS LIST


9`YWfjW7 ci bhYf`DUb`GhYUa Yf  
9DL!' ``9DL!)



## **WARNING**

Improper installation, adjustment, alteration, service or maintenance can cause property damage, injury or death. Read the installation, operating and maintenance instructions thoroughly before installing or servicing this equipment.

### **CROWN FOOD SERVICE EQUIPMENT**

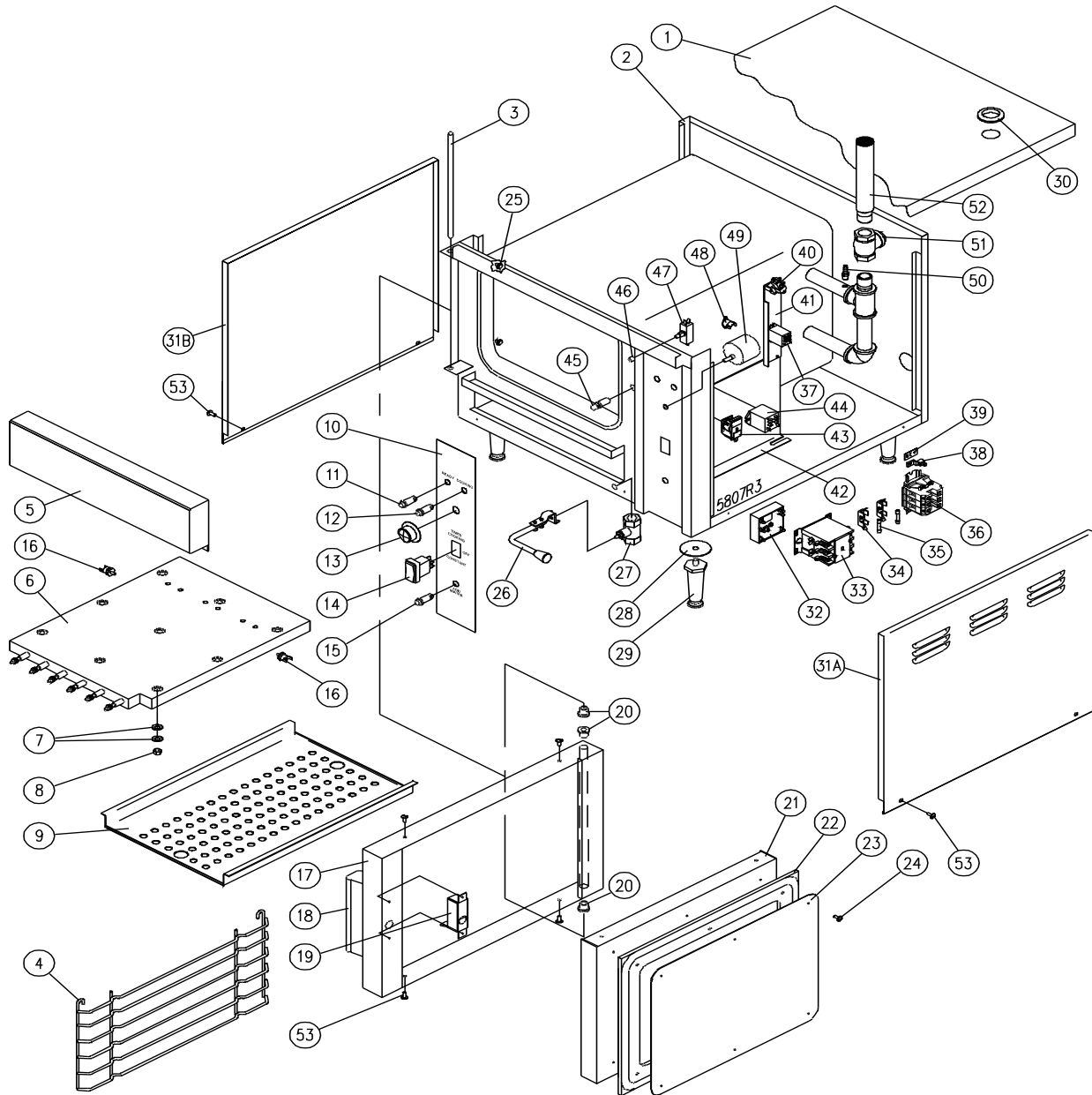
 A Middleby Company  
70 Oakdale Road, Downsview (Toronto) Ontario, Canada, M3N 1V9  
Telephone: 919-762-1000      [www.crownsteamgroup.com](http://www.crownsteamgroup.com)  
Printed in Canada



PARTS LIST, PAN STEAMERS, MODELS: EPX-3, EPX-5

**GENERAL ASSEMBLY**

**FIGURE 1**



PARTS LIST, PAN STEAMERS, MODELS: EPX-3, EPX-5

**FIGURE 1**

<b><u>ITEM</u></b>	<b><u>PART NUMBER</u></b>	<b><u>DESCRIPTION</u></b>	<b><u>QUANTITY</u></b>		
			<b><u>EPX-3</u></b>	<b><u>EPX-5</u></b>	
1.	7762-1	Top Panel	1	1	
**	2.	8158-1	Back Panel	1	
		8160-1	Back Panel	1	
**	3.	8-5077-9	Hinge Rod	1	
		8-5077-8	Hinge Rod	1	
**	4.	2681-1	Pan Rack	2	
		2681-3	Pan Rack	2	
	5.	6926-1	Element Front Cover	1	1
**	6.	6921-1	Element Assembly, 208V, 9 kW	1	
		6921-2	Element Assembly, 220V, 380V, 9 kW	1	
		6921-3	Element Assembly, 240V, 415V, 9 kW	1	
		6921-4	Element Assembly, 480V, 9 kW	1	
		6921-5	Element Assembly, 600V, 9 kW	1	
		6921-6	Element Assembly, 208V, 15 kW		1
		6921-7	Element Assembly, 220V, 380V, 15 kW		1
		6921-8	Element Assembly, 240V, 415V, 15 kW		1
		6921-9	Element Assembly, 480V, 15 kW		1
		6921-10	Element Assembly, 600V, 15 kW		1
	7.	9063-1	Spring Disc, 3/4 Outside Diameter	18	18
	8.	9029-2	Hex Nut, 5/16 - 18	9	9
	9.	7761-1	Compartment Drip Pan	1	1
**	10.	7732-1	Decal	1	
		7733-1	Decal		1
	11.	4-PL04-1	Pilot Lamp, Green, Ready	1	1

PARTS LIST, PAN STEAMERS, MODELS: EPX-3, EPX-5

<u>ITEM</u>	<u>PART NUMBER</u>	<u>DESCRIPTION</u>	<u>QUANTITY</u>		
			<u>EPX-3</u>	<u>EPX-5</u>	
12.	4-PL07-1	Pilot Lamp, Red, Cooking	1	1	
**	13.	4104-1	Knob, 60M, 60 Hz	1	1
		4103-1	Knob, 60M, 50 Hz, Optional	1	1
		4105-1	Knob, 120M, 60 Hz, Optional	1	1
14.	9124-1	Switch, ON/OFF/ON	1	1	
15.	4-PL06-1	Pilot Lamp, Amber, Low Water	1	1	
16.	4914-1	High-Limit Thermostat	1	1	
**	17.	2822-1	Door Shell	1	
		2840-1	Door Shell		1
18.	3903-2	Door Handle Assembly	1	1	
18A.	3646-1	Door Handle Decal	1	1	
19.	3900-1	Latch Assembly	1	1	
20.	8-5078	Door Bushing	3	3	
**	21.	8-5065-9	Door Panel	1	
		8-5065-8	Door Panel		1
**	22.	8-5063-9	Door Gasket	1	
		8-5063-8	Door Gasket		1
**	23.	8-5064-9	Gasket Plate	1	
		8-5064-8	Gasket Plate		1
24.	9423-1	Gasket Panel Screws	6	8	
25.	4721-1	Pan Rack Hanger Assembly	6	6	
26.	4933-1	Drain Handle Assembly	1	1	
26A.	4935-1	Knob	1	1	
27.	4918-1	Drain Valve	1	1	
28.	9078-1	Washer	4	4	

PARTS LIST, PAN STEAMERS, MODELS: EPX-3, EPX-5

<u>ITEM</u>	<u>PART NUMBER</u>	<u>DESCRIPTION</u>	<u>QUANTITY</u>		
			<u>EPX-3</u>	<u>EPX-5</u>	
29.	5-FS66	Leg Assembly	4	4	
30.	3842-4	Grommet	1	1	
**	31A.	6927-2	Side Panel, Right Hand	1	
		6928-2	Side Panel, Right Hand	1	
**	31B.	6927-3	Side Panel, Left Hand	1	
		6928-3	Side Panel, Left Hand	1	
32.	9242-2	Relay Timer, 230V	1	1	
33.	4-CG42-1	Contactora, 208-240V	1	1	
		9348-208	Contactora, 380-600V	1	
34.	9068-1	Fuse Holder	2	2	
35.	9092-1	Fuse, 1A, 250V	2	2	
**	36.	6161-3	Modular Terminal Assembly, 3 Pole, 380 - 600V	1	1
		Includes the following parts:			
		9374-1	Modular Terminal, Grey	3	3
		9375-1	End Plate	1	1
		9369-1	End Clamp	2	2
		9368-079	Mounting Rail, 79 mm	1	1
**	36.	6161-4	Modular Terminal Assembly, 4 Pole, 208 - 240V	1	1
		Includes the following parts:			
		9374-1	Modular Terminal, Grey	4	4
		9375-1	End Plate	1	1
		9369-1	End Clamp	2	2
		9368-098	Mounting Rail, 98 mm	1	1

PARTS LIST, PAN STEAMERS, MODELS: EPX-3, EPX-5

<u>ITEM</u>	<u>PART NUMBER</u>	<u>DESCRIPTION</u>	<u>QUANTITY</u>		
			<u>EPX-3</u>	<u>EPX-5</u>	
36.	6161-4N	Modular Terminal Assembly, 3 Pole with Neutral, 380/220V, 415/240V	1	1	
		Includes the following parts:			
	9374-1	Modular Terminal, Grey	3	3	
	9374-2	Modular Terminal, Blue	1	1	
	9375-1	End Plate	1	1	
	9369-1	End Clamp	2	2	
	9368-098	Mounting Rail, 98 mm	1	1	
37.	9344-2	Relay, DPDT, 220V	1	1	
38.	4-70EU	Grounding Lug	1	1	
39.	4188-1	Earth I.D. Tag	1	1	
40.	9247-1	Pressure Switch	1	1	
41.	5840-1	Pressure Switch Bracket	1	1	
42.	7765-1	Component Board	1	1	
43.	4742-1	Buzzer	1	1	
44.	9332-2	Relay, DPDT	2	2	
45.	8-5021	Striker	1	1	
45A.	S05N-12	Lock Washer, 1/2"	1	1	
45B.	8-5022	Stainless Steel Washer	1	1	
45C.	1-89S0	Hex Nut, 1/2-20 UNF, Stainless Steel	1	1	
46.	9-3336	Switch Actuator Rod with Clip	1	1	
47.	9-3213	Door Switch	1	1	
48.	9077-1	Stand-By Temperature Thermostat	1	1	
**	49.	4-T209-1	Timer, 60 Minutes	1	1
		9386-2	Timer, 120 Minutes	1	1
	50.	9053-8	Hose Barb, 1/4" x 1/8" MPT	1	1

PARTS LIST, PAN STEAMERS, MODELS: EPX-3, EPX-5

<u>ITEM</u>	<u>PART NUMBER</u>	<u>DESCRIPTION</u>	<u>QUANTITY</u>	
			<u>EPX-3</u>	<u>EPX-5</u>
**	9222-090	Tube, 1/4" x 9" Long	1	1
51.	5808-1	Check Valve - Modified	1	1
**	52.	5842-1	Vent Tube Sub Assembly	1
		5842-2	Vent Tube Sub Assembly	1
53.	M33S-1032-12	Truss HD. Screw 10-32 UNF x 1/2	8	8
*	NOT SHOWN.			
**	SELECT AS REQUIRED.			