



IMPORTANT FOR FUTURE REFERENCE
 Please complete this information and retain this manual for the life of the equipment:

Model #: _____
 Serial #: _____
 Date Purchased: _____

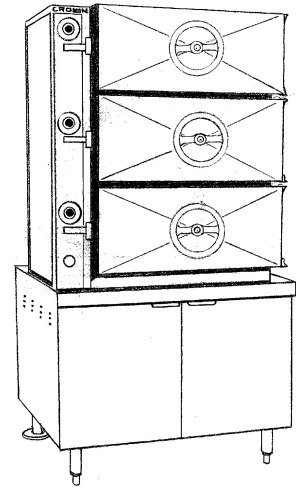
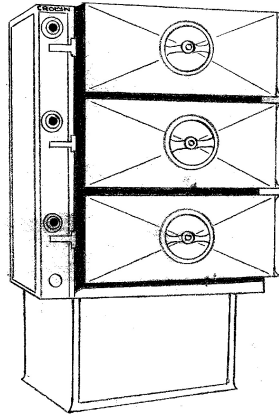
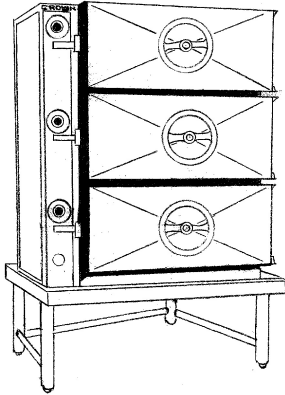
PARTS LIST

8 jfYWwGHYUa 7 ca dUfha Ybh7 cc_Yfg

DC-2 DC-3 EC-2 EC-3 GC-2 GC-3 SC-2 SC-3

87 @&87 @' 87 D!&87 D!' 87 K!&87 K!' 885!&885!' 985!&985!' GDA-2 GDA-3 SCDA-2 SCDA-3

885!&885!' 985!&985!' GDA-2 GDA-3 SCDA-2 SCDA-3



⚠ WARNING

Improper installation, adjustment, alteration, service or maintenance can cause property damage, injury or death. Read the installation, operating and maintenance instructions thoroughly before installing or servicing this equipment.

CROWN FOOD SERVICE EQUIPMENT

A Middleby Company

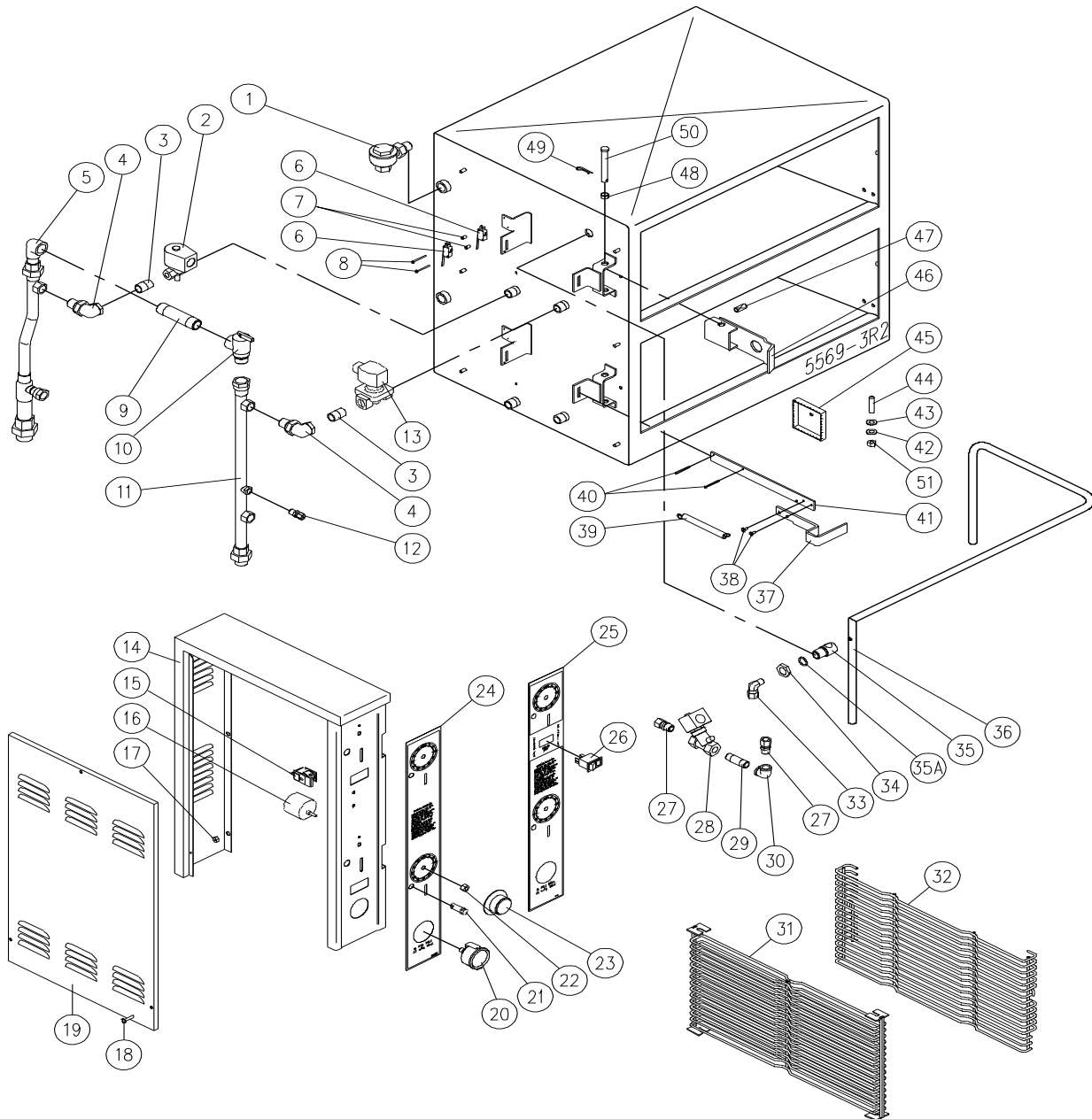
70 Oakdale Road, Downsview (Toronto) Ontario, Canada, M3N 1V9
 Telephone: 919-762-1000 www.crownsteamgroup.com

Printed in Canada



PARTS LIST, PRESSURE COOKERS, MODELS, DC-2, 3, DCL-2, 3, 4, DCP-2, 3, 4,
 DCW-2, 3, DDA-2, EC-2, 3, EDA-2, GC-2, 3, GDA-2, SC-2, 3, SCDA-2.

FIGURE 1



PARTS LIST, PRESSURE COOKERS, MODELS, DC-2, 3, DCL-2, 3, 4, DCP-2, 3, 4,
DCW-2, 3, DDA-2, EC-2, 3, EDA-2, GC-2, 3, GDA-2, SC-2, 3, SCDA-2.

ITEM	PART NO.	DESCRIPTION	PRESSURE COOKER COMPARTMENTS		DO-ALL COMPARTMENTS	
			<u>2</u>	<u>3</u>	<u>2</u>	<u>3</u>
1.	9170-1	Steam Trap	2	3	2	3
2.	3-S467	Exhaust Solenoid Valve	2	3	2	3
3.	9072-000	Brass Close Nipple, 1/2"	4	6	4	6
4.	3-U4BE	Union Elbow, 1/2"	4	6	4	6
5.	8-1228	Exhaust Header Assembly	1		1	
	8-1229	Exhaust Header Assembly		1		1
6.	9177-1	Micro Switch	4	6	4	6
7.	9082-2	Micro Switch Spacer	4	6	4	6
8.	M93C-440-138	Screw, #4 - 40 x 1-3/8"	4	6	4	6
9.	9090-040	Brass Nipple, 3/4 x 4"	1	1	1	1
10.	3-SRV1	Relief Valve, 8 psi	1	1	1	1
11.	8-1226	Steam Header Assembly	1		1	
	8-1227	Steam Header Assembly		1		1
12.	3-684B	Connector, 1/4 C x 1/4 MPT	1	1	1	1
13.	9273-1	Steam In Solenoid Valve	2	3	2	3
14.	8-1207	Control Enclosure	1		1	
	8-1208	Control Enclosure		1		1
15.	3821-1	Buzzer	1	1	1	1
16.	4-T209	Timer	2	3	2	3
17.	HN01X-1420	Nut, 1/4 - 20	6	7	6	7
18.	M33S-1032-1	Screw, 10 - 32 x 1"	3	3	3	3
19.	8-1211	Control Box Cover	1		1	

PARTS LIST, PRESSURE COOKERS, MODELS, DC-2, 3, DCL-2, 3, 4, DCP-2, 3, 4,
DCW-2, 3, DDA-2, EC-2, 3, EDA-2, GC-2, 3, GDA-2, SC-2, 3, SCDA-2.

<u>ITEM</u>	<u>PART NO.</u>	<u>DESCRIPTION</u>	<u>PRESSURE COOKER COMPARTMENTS</u>		<u>DO-ALL COMPARTMENTS</u>	
			<u>2</u>	<u>3</u>	<u>2</u>	<u>3</u>
19.	8-1212	Control Box Cover		1		1
20.	3-CB15	Pressure Gauge	1	1	1	1
21.	4-PL04	Pilot Light	2	3	2	3
22.	9109-1	Rotary Shaft Seal	2	3	2	3
23.	4-TD02	Timer Dial	2	3	2	3
24.	6459-1	Cooker Instructions	1			
	6462-1	Cooker Instructions		1		
25.	6456-1	Do-All Cooker Instructions			1	
	6458-1	Do-All Cooker Instructions				1
26.	9124-2	Pressureless Mode Switch			1	1
27.	3-688C	Connector, 1/2"C x 3/8" MPT			2	2
28.	3-S322	Steam Solenoid Valve			1	1
29.	9091-024	Brass Nipple, 3/8" x 2-1/2"			1	1
30.	3-100C	Brass Elbow, 3/8" FPT			1	1
31.	2680-1	Universal Pan Support	2	3	2	3
32.	6809-1	Pan Slides, Right Hand and Left Hand	4	6	4	6
33.	3-698C	Elbow, 1/2"C x 3/8" MPT			1	1
34.	3-111D	Lock Nut, 1/2" NPT			1	1
35.	3345-1	Manifold Fitting			1	1
35A.	2-115R	O-Ring			1	1
36.	9-3225	Steam Manifold			1	1

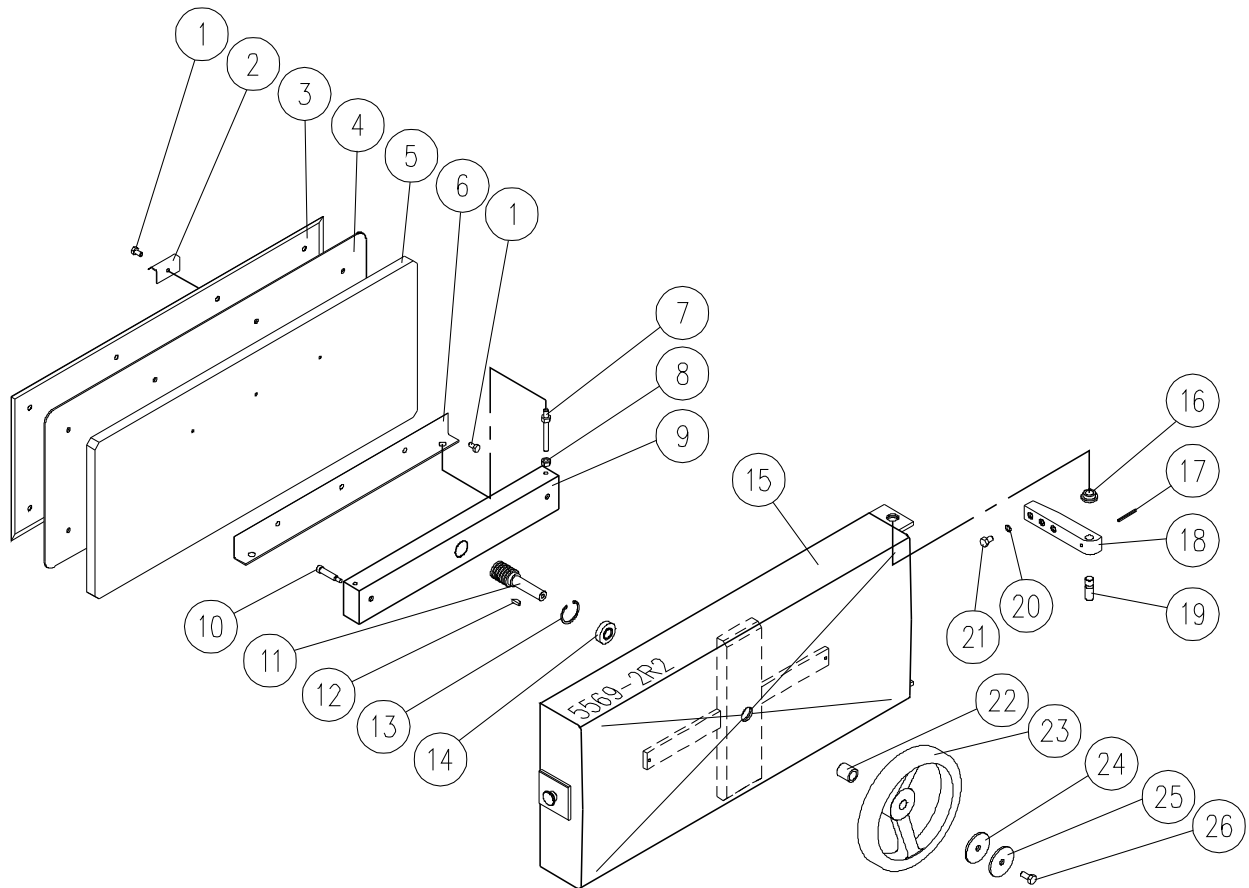
PARTS LIST, PRESSURE COOKERS, MODELS, DC-2, 3, DCL-2, 3, 4, DCP-2, 3, 4,
DCW-2, 3, DDA-2, EC-2, 3, EDA-2, GC-2, 3, GDA-2, SC-2, 3, SCDA-2.

<u>ITEM</u>	<u>PART NO.</u>	<u>DESCRIPTION</u>	<u>PRESSURE COOKER COMPARTMENTS</u>		<u>DO-ALL COMPARTMENTS</u>	
			<u>2</u>	<u>3</u>	<u>2</u>	<u>3</u>
37.	8-1247	Operating Handle	2	3	2	3
38.	M43C-1032-38	Screw, 10 - 32 x 3/8"	4	6	4	6
39.	2-ES89	Extension Spring	2	3	2	3
40.	9032-2	Tension Pin, 1/8 x 1-1/4	4	6	4	6
41.	3901-1	Handle Extension	2	3	2	3
42.	S01X-38	Lock Washer, 3/8"	4	4	4	4
43.	F01X-38	Flat Washer, 3/8"	4	4	4	4
44.	S2101P-3816-134	Hold Down Bolt, 3/8-16 x 1-3/4	4	4	4	4
45.	4073-1	Compartment Strainer	2	3	2	3
46.	8-1249	Hasp Assembly	2	3	2	3
47.	9341-1	Compression Spring	2	3	2	3
48.	8-1251	Hasp Alignment Spacer	2	3	2	3
49.	9004-6	Hasp Pin Clip	2	3	2	3
50.	2-P8C9	Hasp Pin	2	3	2	3
51.	HN01X-3816	Nut, 3/8 - 16 UNC	4	4	4	4
* 52.	B-2230G1	Rack, Stainless Steel	2	3	2	3

* NOT SHOWN.

PARTS LIST, PRESSURE COOKERS, MODELS, DC-2, 3, DCL-2, 3, 4, DCP-2, 3, 4,
DCW-2, 3, DDA-2, EC-2, 3, EDA-2, GC-2, 3, GDA-2, SC-2, 3, SCDA-2.

FIGURE 2



PARTS LIST, PRESSURE COOKERS, MODELS, DC-2, 3, DCL-2, 3, 4, DCP-2, 3, 4,
DCW-2, 3, DDA-2, EC-2, 3, EDA-2, GC-2, 3, GDA-2, SC-2, 3, SCDA-2.

FIGURE 2

<u>ITEM</u>	<u>PART NO.</u>	<u>DESCRIPTION</u>	<u>QUANTITY</u>
1.	M50S-1420-12	Hex Head Cap Screw, 1/4" -20 UNC x 1/2" Long	11
2.	8-1176	Finger Hook	2
3.	8-1177	Gasket Panel	1
4.	8-1178	Door Gasket	1
5.	8-1179	Aluminum Plate	1
6.	3279-1	Support Angle	1
7.	3281-2	Alignment Screw	2
8.	HN01X-51618	Nut, 5/16" - 18 UNC	2
9.	6532-1	Thrust Bar	1
10.	9115-1	Shoulder Screw, 1/4" - 20 UNC x 1-1/4" Long	2
11.	8-1183-1	Thrust Screw	1
12.	5312-2	Woodruff Key	1
13.	9-3200	Bearing Clip	1
14.	5326-1	Thrust Bar Bearing	1
15.	8-1184-A	Compartment Door Assembly	1
	8-1184	Compartment Door Body	1
16.	8-1187	Bronze Bushing	2
17.	9032-6	Spring Tension Pin	2
18.	8-1188	Hinge	2
19.	8-1189	Hinge Pin	2
20.	2-011R	"O" Ring	6
21.	M50S-51618-12	Hex Cap Screw, 5/16" - 18 UNC x 1/2" Long	6
22.	8-1190-1	Stainless Steel Bushing	1

PARTS LIST, PRESSURE COOKERS, MODELS, DC-2, 3, DCL-2, 3, 4, DCP-2, 3, 4,
DCW-2, 3, DDA-2, EC-2, 3, EDA-2, GC-2, 3, GDA-2, SC-2, 3, SCDA-2.

<u>ITEM</u>	<u>PART NO.</u>	<u>DESCRIPTION</u>	<u>QUANTITY</u>
23.	8-1191	Handwheel	1
24.	3962-1	Front Handle Washer	1
25.	3298-1	Open - Close Label	1
26.	M50S-51618-34	Hex Screw, 5/16" - 18 x 3/4"	1