



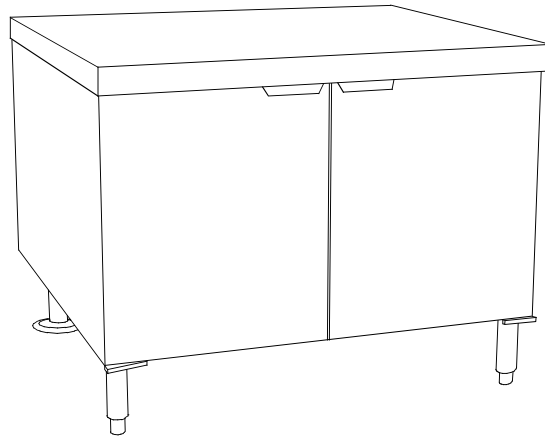
**IMPORTANT FOR FUTURE REFERENCE**  
 Please complete this information and retain this manual for the life of the equipment:

Model #: \_\_\_\_\_  
 Serial #: \_\_\_\_\_  
 Date Purchased: \_\_\_\_\_

## PARTS LIST

9`YWf]WSteam ; YbYfUrcf`]b`7 UV]bYh6 UgY


79!& ``79!' \* ``79!( & ``79!(, ``79!' & ``79!' ' \* ``79!' ( & ``79!' ( ,



 **WARNING**

Improper installation, adjustment, alteration, service or maintenance can cause property damage, injury or death. Read the installation, operating and maintenance instructions thoroughly before installing or servicing this equipment.

**CROWN FOOD SERVICE EQUIPMENT**

 A Middleby Company

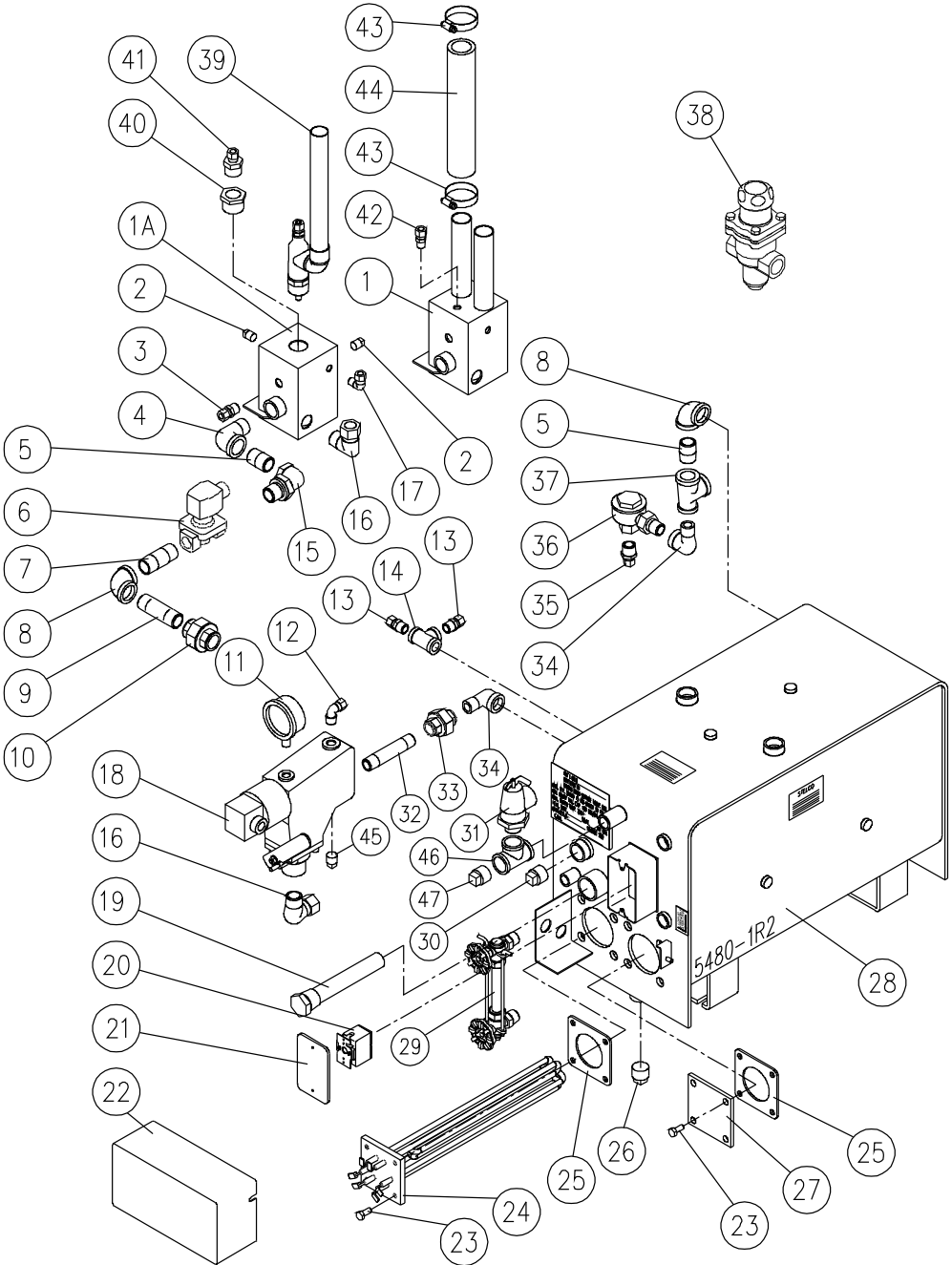
70 Oakdale Road, Downsview (Toronto) Ontario, Canada, M3N 1V9  
 Telephone: 919-762-1000      www.crownsteamgroup.com

Printed in Canada



PARTS LIST, ELECTRIC BOILERS,  
MODELS CE24, CE36, CE42, CE48, CE324, CE336, CE342, CE348

**FIGURE 1**



PARTS LIST, ELECTRIC BOILERS,  
MODELS CE24, CE36, CE42, CE48, CE324, CE336, CE342, CE348

**FIGURE 1**

<u>ITEM</u>	<u>PART NO.</u>	<u>DESCRIPTION</u>	<u>QUANTITY</u>
**	1. 6474-1	Appliance Drain (Pressureless Cooker)	1
	1A. 6475-1	Appliance Drain	1
	2. 9035-2	Square Plug 1/4 NPT	1
	3. 3-686C	Connector, 3/8C x 3/8 NPT	1
	4. 9012-4	Street Elbow, 3/4 NPT 150 #	1
	5. 9090-000	Close Nipple, 3/4"	2
* **	6. 3-BVE0	Ball Valve	1
	3-S567	Blowdown Solenoid (Optional)	1
	7. 9090-024	Nipple, 3/4 x 2-1/2"	1
	8. 9011-4	Elbow, 3/4", 150 #	2
	9. 9090-030	Nipple, 3/4 x 3"	1
	10. 9015-4	Ground Joint Union 3/4", 150 #	1
	11. 3-PG30	Pressure Gauge, 30 PSI	1
	12. 3-696C	Elbow, 3/8C x 3/8 NPT	1
	13. 3-686C	Connector, 3/8C x 3/8 NPT	2
	14. 9013-2	Tee 3/8", 150 #	1
	15. 3-U6BE	Union Elbow, 3/4"	1
	16. 3-6912E	Elbow, 3/4C x 3/4 NPT	1
	17. 3-696B	Elbow, 3/8C x 1/4 NPT	1
	18. 4-WC67	Water Level Control	1
*	8-6023	Float	1
*	8-6022	Switch	1
*	8-6020	Round Gasket	1
*	18. 8-6021	Square Gasket	1

PARTS LIST, ELECTRIC BOILERS,  
MODELS CE24, CE36, CE42, CE48, CE324, CE336, CE342, CE348

<u>ITEM</u>	<u>PART NO.</u>	<u>DESCRIPTION</u>	<u>QUANTITY</u>
*	8-6026	Blowdown Valve	1
**	19. 9-3441	Anode-Screw Type	1
*	8-6011E	Anode	1
	20. 9128-1	High Limit Thermostat	1
*	M19C-632-14	Screw, 6 - 32 x 1/4	2
	21. 9-2001	High Limit Box Cover	1
	22. 2830-1	Element Cover	1
	23. M50S-51618-34	Hex Bolt, 5/16 - 18 x 3/4	4 Per Element
**	24. 7-5031	Element, 24 kW, 208V	1
	7-5032	Element, 24 kW, 240 (415) V	1
	7-5033	Element, 24 kW, 277 (480) V	1
	7-5037	Element, 24 kW, 220 (380) V	1
	9-3299	Element, 24 kW, 347 (600) V	1
UNITS RATED AT THE FOLLOWING kW REQUIRE TWO ELEMENT ASSEMBLY AS LISTED BELOW:			
	7-5027	Element, (18 kW), 36 kW, 208V	2
	7-5028	Element, (18 kW), 36 kW, 220 (380) V	2
	7-5029	Element, (18 kW), 36 kW, 240 (415) V	2
	7-5030	Element, (18 kW), 36 kW, 277 (480) V	2
	9-3298	Element, (18 kW), 36 kW, 347 (600) V	2
	7-5027	Element, (18 kW), 42 kW, 208V	1
	7-5031	Element, (24 kW), 42 kW, 208V	1
**	24. 7-5028	Element, (18 kW), 42 kW, 220 (380) V	1

PARTS LIST, ELECTRIC BOILERS,  
MODELS CE24, CE36, CE42, CE48, CE324, CE336, CE342, CE348

<u>ITEM</u>	<u>PART NO.</u>	<u>DESCRIPTION</u>	<u>QUANTITY</u>	
	7-5037	Element, (24 kW), 42 kW, 220 (380) V	1	
	7-5029	Element, (18 kW), 42 kW, 240 (415) V	1	
	7-5032	Element, (24 kW), 42 kW, 240 (415) V	1	
	7-5030	Element, (18 kW), 42 kW, 277 (480) V	1	
	7-5033	Element, (24 kW), 42 kW, 277 (480) V	1	
	9-3298	Element, (18 kW), 42 kW, 347 (600) V	1	
	9-3299	Element, (24 kW), 42 kW, 347 (600) V	1	
	7-5032	Element, (24 kW), 48 kW, 240 (415) V	2	
	7-5037	Element, (24 kW), 48 kW, 220 (380) V	2	
	7-5033	Element, (24 kW), 48 kW, 277 (480) V	2	
	9-3299	Element, (24 kW), 48 kW, 347 (600) V	2	
25.	5986-1	Element Gasket	2	
26.	9035-5	Square Plug 3/4"	1	
**	27.	9-3356	Blank Plate	1
*		9-3370	Mounting Plate complete with Anode (8-6011E)	1
28.	8-1600	Boiler Shell	1	
29.	5395-1	Water Gauge Valves Set	1	
*		9108-2	Water Gauge Glass - 4-3/4"	1
*		8-6016	Rods	2
*		8-6018	Rubber Washers	2
*		8-6019	Brass Washers	2
30.	9035-5	Square Head Plug, 3/4 NPT	1	
31.	3-SRV3	Relief Valve, 15 PSI	1	

PARTS LIST, ELECTRIC BOILERS,  
MODELS CE24, CE36, CE42, CE48, CE324, CE336, CE342, CE348

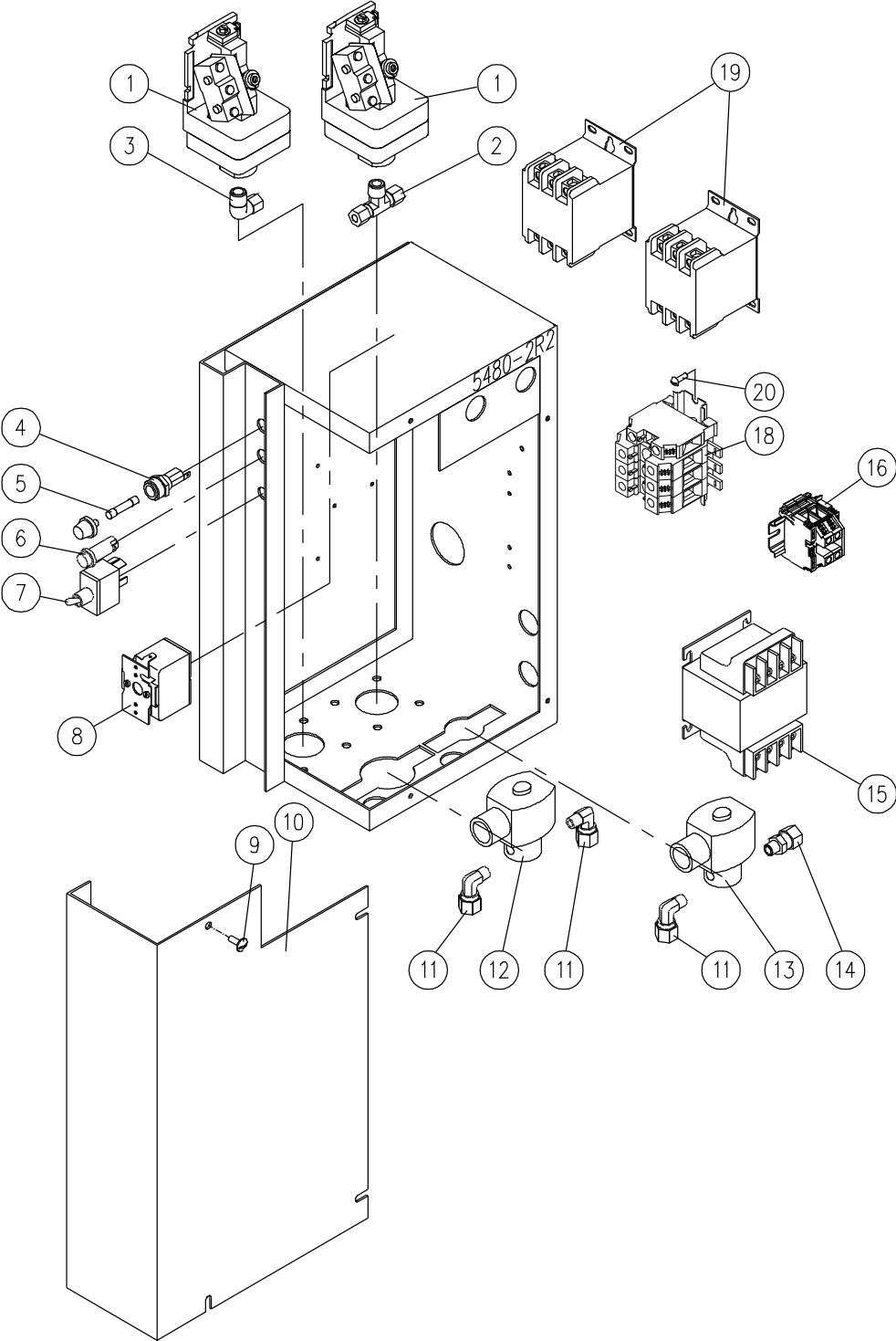
<u>ITEM</u>	<u>PART NO.</u>	<u>DESCRIPTION</u>	<u>QUANTITY</u>	
32.	9072-040	Nipple, 1/2 x 4" Brass	1	
33.	9015-3	Ground Joint Union 1/2", 150 #	1	
34.	9012-3	Street Elbow, 1/2", 150#	2	
35.	3-686D	Connector, 3/8C x 1/2 NPT	1	
36.	9170-1	Steam Trap, 1/2"	1	
37.	9013-12	Tee, 3/4 x 1/2 x 3/4, 150 #	1	
38.	9361-1	Pressure Regulator, 2-25 PSI (Pressure Cooker)	1	
39.	5388-1	Drain Assembly (Pressure Cooker)	1	
40.	9033-1	Reducer Bushing 1 x 3/4 NPT	1	
41.	3-686C	Connector, 3/8C x 3/8 NPT	1	
42.	3-686B	Connector, 3/8C x 1/4 NPT	1	
43.	9017-5	Gear Clamp	4	
**	44.	9-3296	Drain Hose, 10", (Pressureless Cookers)	2
		9-3296-1	Drain Hose, 20", (Pressureless Cookers)	2
		9-3296-2	Drain Hose, 15", (Pressureless Cookers)	2
45.	9035-3	Square Head Plug, 3/8 NPT	1	
46.	3-101E	Forged Tee, Brass, 3/4 FPT	1	
47.	3-109E	Square Head Plug, Brass, 3/4 NPT	1	

\* NOT SHOWN.

\*\* SELECT AS REQUIRED.

PARTS LIST, ELECTRIC BOILERS,  
MODELS CE24, CE36, CE42, CE48, CE324, CE336, CE342, CE348

**STANDARD CONTROLS**



PARTS LIST, ELECTRIC BOILERS,  
MODELS CE24, CE36, CE42, CE48, CE324, CE336, CE342, CE348

**FIGURE 2**

<u>ITEM</u>	<u>PART NO.</u>	<u>DESCRIPTION</u>	<u>QUANTITY</u>
1.	9339-1	Pressure Switch complete with Transducer	2
2.	3-724B	Tee, 1/4C x 1/4 NPT	1
3.	3-696B	Elbow, 3/8C x 1/4 NPT	1
4.	9093-1	Fuse Holder	1
**	9092-2	Fuse, 2 Amp., 250V	1
6.	4-PL04	Pilot Light - Green	1
7.	9110-1	ON/OFF Switch	1
8.	4-TH04	Condensate Thermostat	1
9.	M19C1032-14	Screw, 10 - 32 x 1/4	4
10.	8-1244-1	Control Box Cover	1
11.	3-696A	Elbow, 3/8C x 1/8 NPT	3
12.	9308-1	Water Fill Valve	1
**	9310-1	Condensate Valve	1
	9308-1	Condensate Valve, ECX-16	1
14.	3-686A	Connector, 3/8C x 1/8 NPT	1
**	4-T256	Transformer, 208/120V, 60 Hz, 200VA	1
	4-T253	Transformer, 220/110V, 50/60 Hz, 200VA	1
	4-T253	Transformer, 240/120V, 50/60 Hz, 200VA	1
	4-T254	Transformer, 380/120V, 50/60 Hz, 200VA	1
	4-T254	Transformer, 415/120V, 50/60 Hz, 200VA	1
	4-T253	Transformer, 480/120V, 50/60 Hz, 200VA	1
	4694-200	Transformer, 600/120V, 60 Hz, 200VA	1
16.	9390-2	Modular Terminal Assembly, 2 Poles	1
		Includes the following parts:	

PARTS LIST, ELECTRIC BOILERS,  
MODELS CE24, CE36, CE42, CE48, CE324, CE336, CE342, CE348

<u>ITEM</u>	<u>PART NO.</u>	<u>DESCRIPTION</u>	<u>QUANTITY</u>
	9391-1	Modular Terminal	2
	9392-1	End Plate	1
	9393-1	End Clamp	2
	9394-053	Mounting Rail, 53 mm	1
* ** 17.	9068-1	Fuse Holder, 25A, 300V, 208-240V Units	2
	9002-1	Fuse Holder, 30A, 600V, 380-600V Units	2
* **	9092-2	Fuse, 250V, 2A, 208-240V Units	2
	9001-3	Fuse, 600V, 1A, 380-600V Units	2
** 18.	6160-3	Modular Terminal Assy, 3 Pole w/Ground	1
		Includes following parts:	
	9367-1	Terminal, Beige	3
	9367-2	Terminal, Blue	1
	9370-1	Terminal, Ground	1
	9369-1	End Clamp	1
	9368-098	Mounting Rail	1
	6160-4	Modular Terminal Assembly, 4 Pole with Ground	1
		Includes the following parts:	
	9367-1	Terminal, Beige	3
	9370-1	Terminal, Ground	1
	9369-1	End Clamp	1
	9368-098	Mounting Rail, 98 mm	1
** 19.	9348-120	Contact, 24 kW, 208, 220, 240V	2
	9348-120	Contact, 24 kW, 380, 415, 480, 600 380/220, 415/240V	1

PARTS LIST, ELECTRIC BOILERS,  
 MODELS CE24, CE36, CE42, CE48, CE324, CE336, CE342, CE348

<u>ITEM</u>	<u>PART NO.</u>	<u>DESCRIPTION</u>	<u>QUANTITY</u>	
**	19.	9349-120	Contactora, 36 kW, 208, 220, 240V	2
		9349-120	Contactora, 36 kW, 380, 415, 380/220, 415/240V	1
		9348-120	Contactora, 36 kW, 480, 600V	1
		9349-120	Contactora, 42 kW, 208, 220, 240V	2
		9349-120	Contactora, 42 kW, 380, 415, 480, 380/220, 415/240V	1
		9348-120	Contactora, 42 kW, 600V	1
		9349-120	Contactora, 48 kW, 240V	2
		9349-120	Contactora, 48 kW, 380, 415, 480, 380/220, 415/240V	1
	20.	M19C-832-14	Screw, 8-32 x 1/4	2

\* NOT SHOWN.

\*\* SELECT AS REQUIRED.



PARTS LIST, ELECTRIC BOILERS,  
MODELS CE24, CE36, CE42, CE48, CE324, CE336, CE342, CE348

**CSD-1 CONTROL BOX**

**FIGURE 3**

<b><u>ITEM</u></b>	<b><u>PART NO.</u></b>	<b><u>DESCRIPTION</u></b>	<b><u>QUANTITY</u></b>
1.	9339-1	Pressure Switch complete with Transducer	2
2.	3-724B	Tee, 1/4C x 1/4 NPT	1
3.	3-694B	Elbow, 1/4C x 1/4 NPT	1
4.	4-TH04	Condensate Thermostat	1
5.	9093-1	Fuse Holder	1
** 6.	9092-2	Fuse, 2 Amp., 250V	1
7.	4-PL04	Pilot Light, Green	1
8.	9110-1	ON/OFF Switch	1
9.	6558-1	Control Panel	1
10.	6590-1	Control Decal	1
11.	4-PL07	Pilot Light, Red	3
12.	4-PL06	Pilot Light, Amber	1
13.	8-6012	Reset Switch	1
14.	M19C1032-14	Screw 10-32 x 1/4	4
15.	4611-1	Control Box Cover	1
16.	3-696A	Elbow, 3/8C x 1/8 NPT	3
17.	9308-1	Water Fill Valve	1
** 18.	9310-1	Condensate Valve	1
	9308-1	Condensate Valve, SCX-16	1
19.	3-686A	Connector, 3/8C x 1/8 NPT	1
** 20.	4-T256	Transformer, 208/120, 60 Hz, 200VA	1
	4-T253	Transformer, 220/110, 50/60 Hz, 200VA	1
** 20.	4-T253	Transformer, 240/120, 50/60 Hz, 200VA	1

PARTS LIST, ELECTRIC BOILERS,  
MODELS CE24, CE36, CE42, CE48, CE324, CE336, CE342, CE348

<u>ITEM</u>	<u>PART NO.</u>	<u>DESCRIPTION</u>	<u>QUANTITY</u>
	4-T254	Transformer, 380/120, 50/60 Hz, 200VA	1
	4-T254	Transformer, 415/120, 50/60 Hz, 200VA	1
	4-T253	Transformer, 480/120, 50/60 Hz, 200VA	1
	4694-200	Transformer, 600/120, 60 Hz, 200VA	1
**	21.	9390-2 Terminal Block Assembly, 2 Pole	1
		Includes the following parts:	
		9391-1 Modular Terminal	2
		9392-1 End Plate	1
		9393-1 End Clamp	2
		9394-053 Mounting Rail	1
* **	22.	9068-1 Fuse Holder, 25A, 300V, 208-240V Units	2
		9002-1 Fuse Holder, 30A, 600V, 380-600V Units	2
		9092-2 Fuse, 2A, 250V, 208-240V Units	2
		9001-3 Fuse, 1A, 600V, 380-600V Units	2
**	23.	6160-3 Modular Terminal Assembly, 3 Pole with Ground, 208-204, 380, 415, 480, 600V	1
		Includes the following parts:	
		9367-1 Terminal, Beige	3
		9370-1 Terminal, Ground	1
		9369-1 End Clamp	1
		9368-098 Mounting Rail, 98 mm	1
		6160-4 Modular Terminal Assembly, 4 Pole with Ground, 380/220, 415/240V	
		Includes the following parts:	
		9367-1 Terminal, Beige	3
		9367-2 Terminal, Blue	1

PARTS LIST, ELECTRIC BOILERS,  
MODELS CE24, CE36, CE42, CE48, CE324, CE336, CE342, CE348

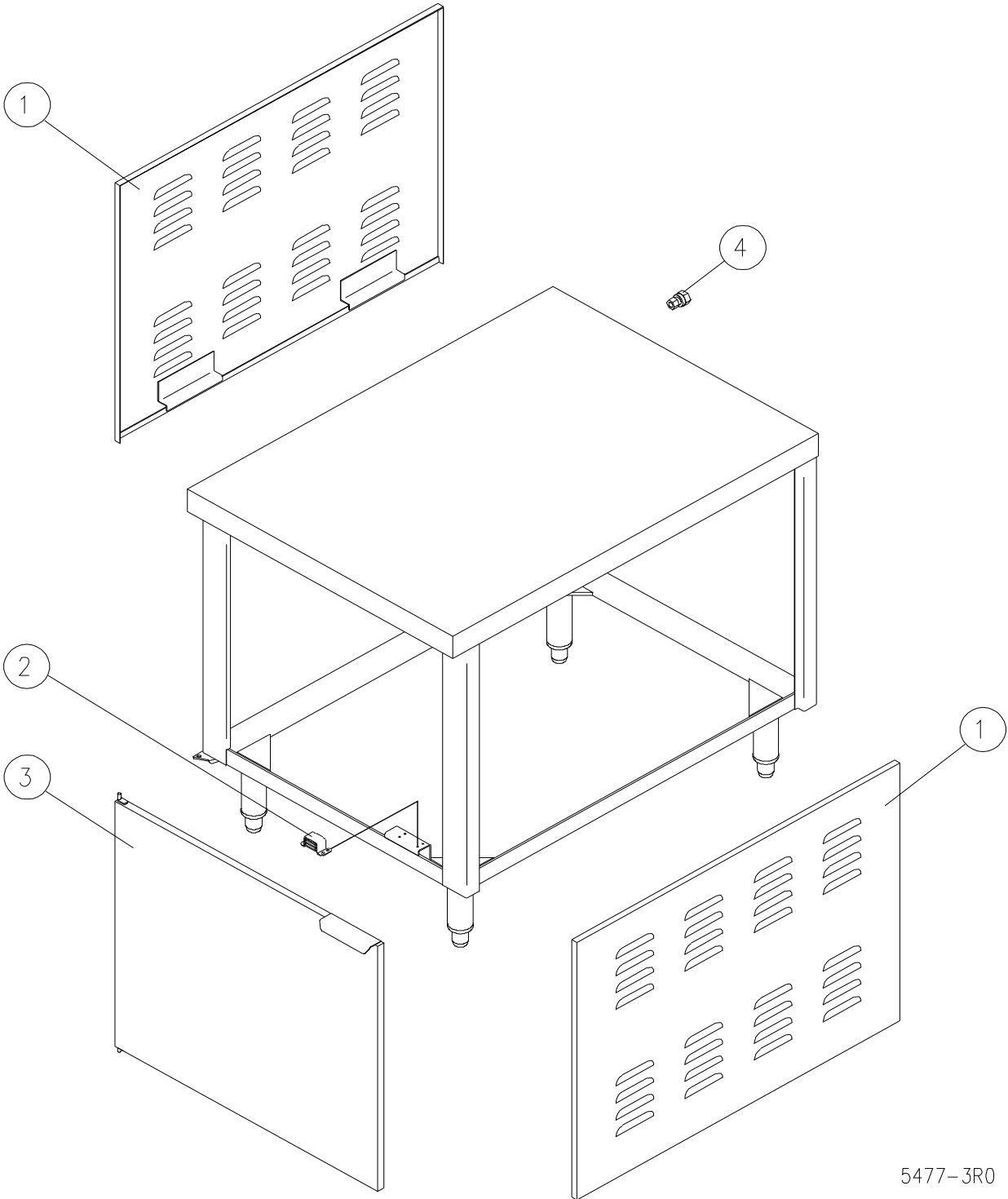
<u>ITEM</u>	<u>PART NO.</u>	<u>DESCRIPTION</u>	<u>QUANTITY</u>	
	9370-1	Terminal, Ground	1	
	9369-1	End Clamp	1	
	9368-098	Mounting Rail	1	
24.	4-WC80	Level Control, Low Water Cut Off	1	
	4-WP80	Probe	1	
25.	9332-1	Relay DPDT (Single Pole in Use)	2	
**	26.	9348-120	Contactor, 24 kW, 208, 220, 240V	2
		9348-120	Contactor, 24 kW, 380, 415, 480, 600, 380/220, 415/240V	1
		9349-120	Contactor, 36 kW, 208, 220, 240V	2
		9349-120	Contactor, 36 kW, 380, 415, 380/220, 415/240V	1
		9348-120	Contactor, 36 kW, 480, 600V	1
		9348-120	Contactor, 42 kW, 600V	1
		9349-120	Contactor, 48 kW, 240V	2
		9349-120	Contactor, 48 kW, 380, 415, 480, 380/220, 415/240V	1
27.	M19C-832-14	Round HD Screw #8-32 UNC x 1/4	2	

\* NOT SHOWN.

\*\* SELECT AS REQUIRED.

PARTS LIST, ELECTRIC BOILERS,  
MODELS CE24, CE36, CE42, CE48, CE324, CE336, CE342, CE348

**FIGURE 4**



5477-3R0

PARTS LIST, ELECTRIC BOILERS,  
 MODELS CE24, CE36, CE42, CE48, CE324, CE336, CE342, CE348

**FIGURE 4**

**CABINET 28" HEIGHT**

<u>ITEM</u>	<u>PART NUMBER</u>	<u>DESCRIPTION</u>	<u>WIDTH</u>		
			<u>24"</u>	<u>36"</u>	<u>48"</u>
1.	3563-1	Side Panel	2	2	2
2.	5-MC02	Magnet Catch	1	2	2
	1-11C2	Catch Screw	4	8	8
3.	3373-1	Cabinet Door	1		
*	8-1303	Right Hand Door		1	
*	8-1304	Left Hand Door		1	
*	9-3368-1	Right Hand Door			1
*	9-3369-1	Left Hand Door			1
4.	3-666D	Water Connection	1	1	1

PARTS LIST, ELECTRIC BOILERS,  
MODELS CE24, CE36, CE42, CE48, CE324, CE336, CE342, CE348

**CABINET 32" HEIGHT**

**FIGURE 4**

<u>ITEM</u>	<u>PART NO.</u>	<u>DESCRIPTION</u>	<u>WIDTH</u>					
			<u>24"</u>	<u>36"</u>	<u>42"</u>	<u>44"</u>	<u>48"</u>	<u>60"</u>
1.	8-1305-1	Side Panel	2	2	2	2	2	2
2.	5-MC02	Magnetic Catch	1	2	2	2	2	3
	1-11C2	Catch Screws	4	8	8	8	8	12
3.	8-1932-1	Door	1					
*	8-1303-1	Right Hand Door		1				
*	8-1304-1	Left Hand Door		1				
*	9-3368-6	Right Hand Door			1			
*	9-3369-5	Left Hand Door			1			
*	9-3368	Right Hand Door				1		
*	9-3369	Left Hand Door				1		
*	9-3368-5	Right Hand Door					1	
*	9-3369-4	Left Hand Door					1	
*	9-3368-3	Right Hand Door						1
*	9-3369-3	Left Hand Door						1
*	9-3368-4	Centre Door						1
4.	3-666D	Water Connection		1	1	1	1	1

\* NOT SHOWN.