

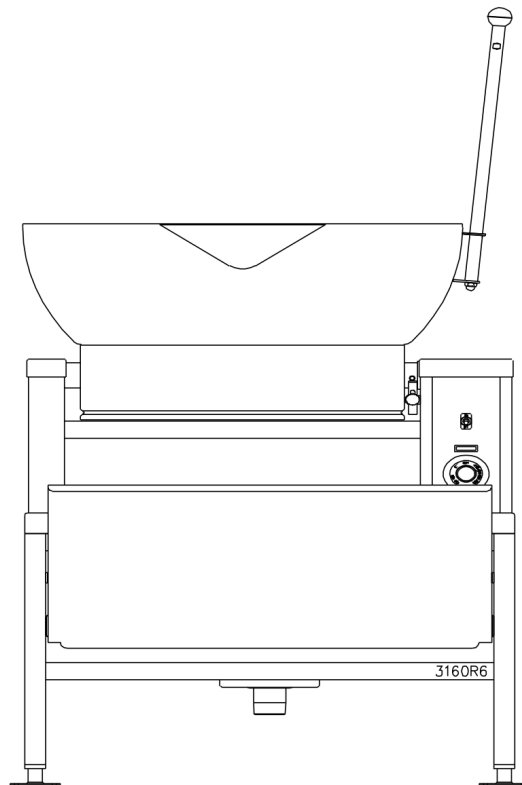


IMPORTANT FOR FUTURE REFERENCE
Please complete this information and retain this manual for the life of the equipment:

Model #: _____
Serial #: _____
Date Purchased: _____

PARTS LIST


Electric Counter Tilting Skillet ECTRS-16



 **WARNING**

Improper installation, adjustment, alteration, service or maintenance can cause property damage, injury or death. Read the installation, operating and maintenance instructions thoroughly before installing or servicing this equipment.

CROWN FOOD SERVICE EQUIPMENT

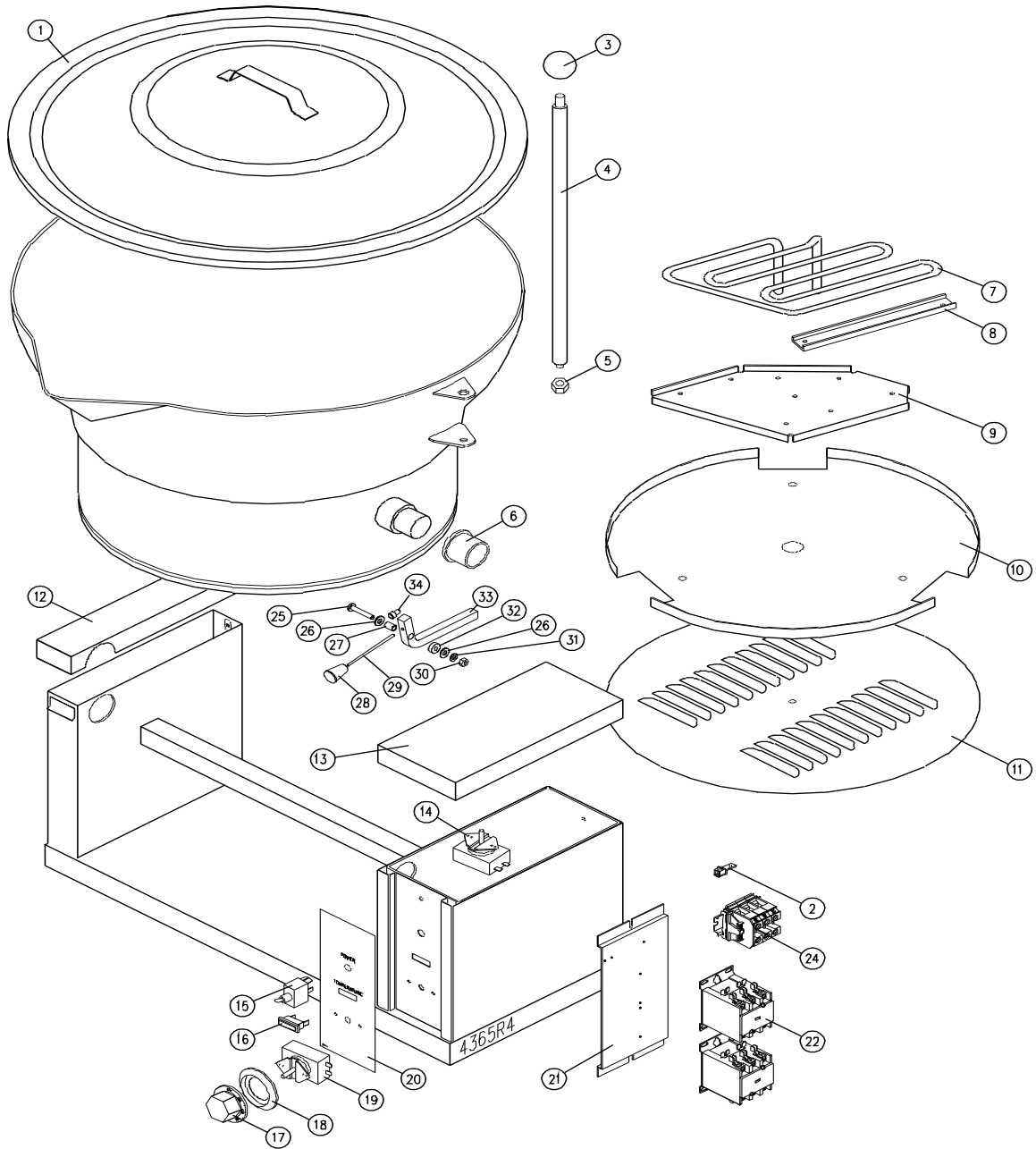
 A Middleby Company

70 Oakdale Road, Downsview (Toronto) Ontario, Canada, M3N 1V9
Telephone: 919-762-1000 www.crownsteamgroup.com

Printed in Canada



PARTS LIST, ROUND ELECTRIC COUNTER TILTING KETTLE, MODEL ECTRS-16



PARTS LIST, ROUND ELECTRIC COUNTER TILTING KETTLE, MODEL ECTRS-16

<u>ITEM</u>	<u>PART NO.</u>	<u>DESCRIPTION</u>	<u>QUANTITY</u>
1.	4403-1	Cover Assembly	1
2.	4-70EU	Ground Lug	1
3.	2-KB01	Knob - Red	1
4.	4368-1	Handle	1
5.	1-78S0	Acorn Nut	1
6.	9036-114	Bearing	2
** 7.	3162-1	Element, 2.5 kW, 208V	3
	3162-2	Element, 2.5 kW, 220V, (380V)	3
	3162-3	Element, 2.5 kW, 240V, (415V)	3
	3162-4	Element, 2.5 kW, 277V, (480V)	3
	3162-5	Element, 2.5 kW, 347V, (600V)	3
8.	3686-1	Capillary Clamp	1
9.	6368-1	Element Clamp	1
10.	4360-1	Insulation Pan	1
11.	4370-1	Bottom Cover	1
12.	3167-1	Left Hand Console Cover	1
13.	3052-3	Right Hand Console Cover	1
14.	4-TH45	High-Limit Thermostat	1
15.	9110-1	Power Switch	1
16.	4996-5	Pilot Light - Amber	1
** 17.	4736-1	Dial Assembly (°F)	1
	4737-1	Dial Assembly (°C)	1
18.	4-TB05	Bezel	1
19.	4-TH47	Regulating Thermostat	1
20.	3174-1	Operation Panel Decal	1

PARTS LIST, ROUND ELECTRIC COUNTER TILTING KETTLE, MODEL ECTRS-16

<u>ITEM</u>	<u>PART NO.</u>	<u>DESCRIPTION</u>	<u>QUANTITY</u>	
21.	9-3217	Component Mounting Plate (3055)	1	
**	22.	9348-208	Contactactor - 208, 220, 240V	2
		9348-208	Contactactor - 380, 415, 220/380, 240/415, 480V, 600V	1
* **	23A	9092-3	Fuse, 250V, 3 Amp (208-240V Units)	2
		9092-3	Fuse, 250V, 3 Amp (220/380V, 240/415V Units)	1
		9001-2	Fuse, 600V, 1/2 Amp (380-600V) Units	2
* **	23B	9068-1	Fuse Holder (208-240V Units)	2
		9068-1	Fuse Holder (220/380V, 240/415V Units)	1
		9002-1	Fuse Holder (380-600V) Units	2
**	24.	6161-3	Terminal Block Assembly, 3 Pole (208V-240V)	1
			Includes the following parts:	
		9374-1	Modular Terminal, Grey	3
		9375-1	End Plate	1
		9369-1	End Clamp	2
		9368-079	Mounting Rail, 79 mm	1
**	24.	9390-3	Terminal Block Assembly - 3 Poles (380V-600V)	1
			Includes the following parts:	
		9391-1	Modular Terminal	3
		9392-1	End Plate	1
		9393-1	End Clamp	2
		9394-065	Mounting Rail, 65 mm	1

PARTS LIST, ROUND ELECTRIC COUNTER TILTING KETTLE, MODEL ECTRS-16

<u>ITEM</u>	<u>PART NO.</u>	<u>DESCRIPTION</u>	<u>QUANTITY</u>
** 24.	9390-4N	Modular Terminal Assembly, 4 Poles, with Neutral (380-220V), 415-240V Includes the following parts:	1
	9391-1	Modular Terminal	3
	9391-2	Modular Terminal, Blue	1
	9392-1	End Plate	1
	9393-1	End Clamp	2
	9394-065	Mounting Rail, 65 mm	1
25.	M93S-1420-112	Pan Head Screw, 1/4 - 20 NC x 1-1/2"	1
26.	F01S-14	Flat Washer, 1/4"	2
27.	5830-1	Bushing	1
28.	4935-1	Knob	1
29.	5829-1	Handle Bar	1
30.	9030-1	Hex Nut, 1/4 - 20 UNC	1
31.	S01S-14	Split Lock Washer, 1/4"	1
32.	5831-1	Spacer	1
33.	5828-1	Stop Bar	1
34.	M68S-1420-38	Socket Head Screw, 1/4 - 20 NC x 3/8"	1
* ** 35.	4-T251	Transformer, 380/220V, 50/60 Hz, 100VA	1
	4-T251	Transformer, 415/240V, 50/60 Hz, 100VA	1
	4-T255	Transformer, 480/240V, 60 Hz, 100VA	1
	4-T260	Transformer, 600/240V, 60 Hz, 100VA	1

* NOT SHOWN

** SELECT AS REQUIRED.