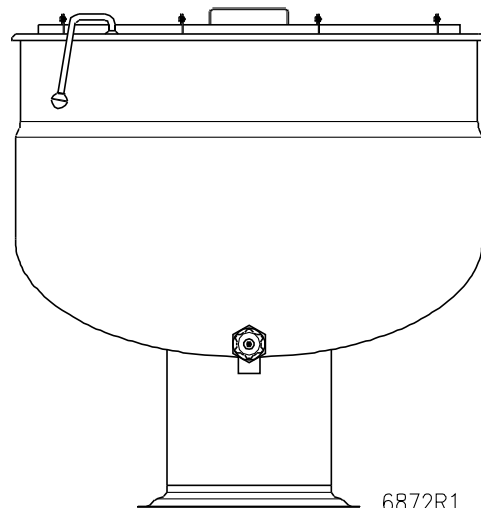
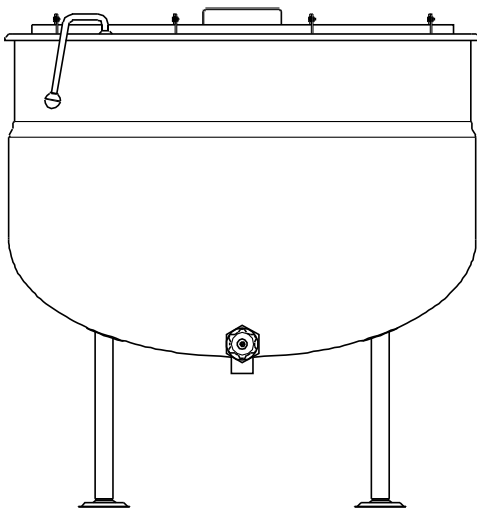




IMPORTANT FOR FUTURE REFERENCE
Please complete this information and retain this manual for the life of the equipment:

Model #: _____
Serial #: _____
Date Purchased: _____

PARTS LIST
Direct Steam Stationary Kettles
DL-80F DL-125 DL-150
DP-80F




6872R1

⚠ WARNING

Improper installation, adjustment, alteration, service or maintenance can cause property damage, injury or death. Read the installation, operating and maintenance instructions thoroughly before installing or servicing this equipment.

CROWN FOOD SERVICE EQUIPMENT

 A Middleby Company

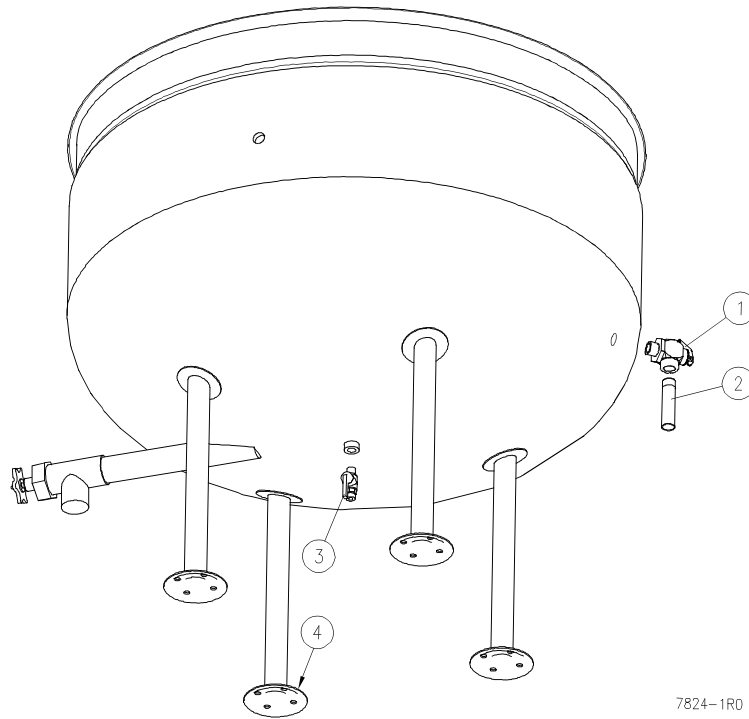
70 Oakdale Road, Downsview (Toronto) Ontario, Canada, M3N 1V9
Telephone: 919-762-1000 www.crownsteamgroup.com

Printed in Canada



PARTS LIST, DIRECT STEAM KETTLES,
 MODELS: DL-80F, DL-100F, DL-125, DL-150, DP-80F

FIGURE 1



7824-1R0

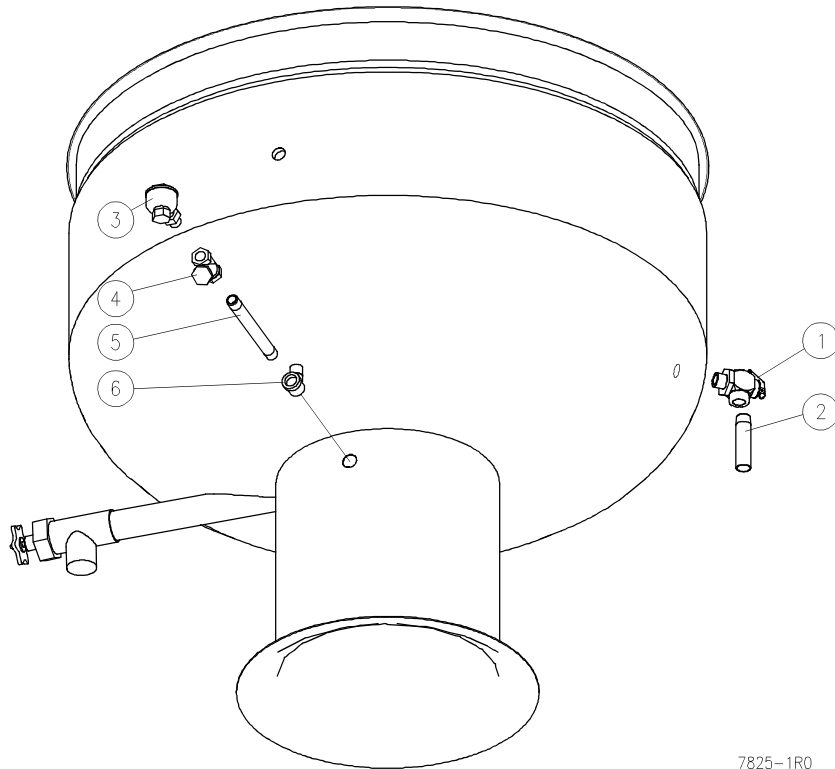
<u>ITEM</u>	<u>PART NUMBER</u>	<u>DESCRIPTION</u>	<u>QUANTITY</u>
** 1	9250-25	25 PSI Relief	1
	3-SRV8-1	Relief Valve, 35 PSI (Optional)	1
2	5184-1	Down Tube for Relief Valve	1
3	9189-1	Ball Valve	1
4	8-1308	Adjustable Foot	4

* NOT SHOWN.

** SELECT AS REQUIRED.

PARTS LIST, DIRECT STEAM KETTLES,
 MODELS: DL-80F, DL-100F, DL-125, DL-150, DP-80F

FIGURE 2



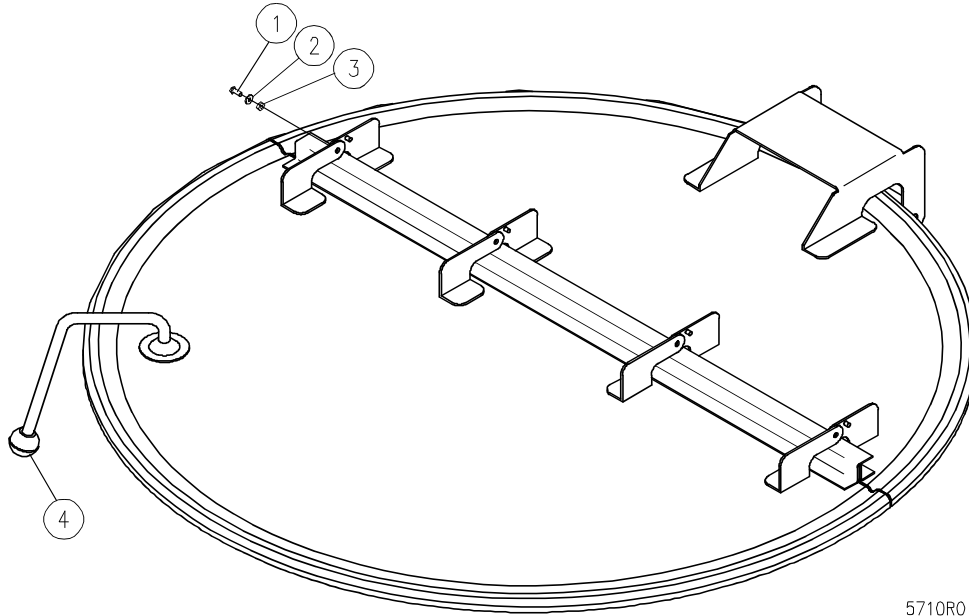
7825-1R0

<u>ITEM</u>	<u>PART NUMBER</u>	<u>DESCRIPTION</u>	<u>QUANTITY</u>
1	3-SRV8-1	Relief Valve, 35 PSI	1
	3-SRV9-1	Relief Valve, 50 PSI	1
2	5184-1	Down Tube	1
3	3-TST4	Steam Trap, 1/2", Nickel Plated	1
4	8-6035	Y-Strainer, 1/2", Nickel Plated	1
5	9009-080	Nipple, 1/2" - Schedule 40 x 8" Long	1
6	9012-3	Street Elbow, 1/2", 90°	1

PARTS LIST, DIRECT STEAM KETTLES,
 MODELS: DL-80F, DL-100F, DL-125, DL-150, DP-80F

FIGURE 3

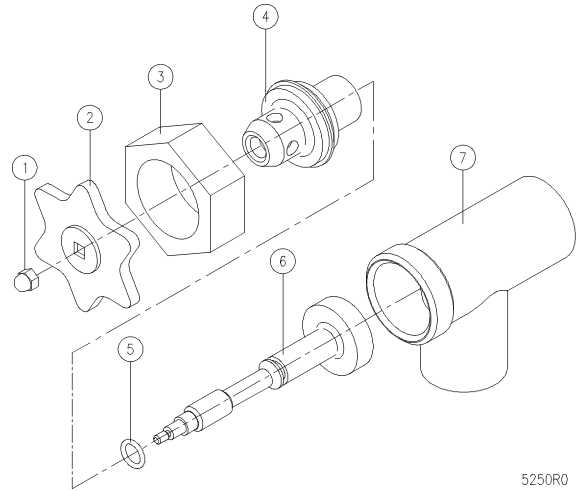
SPRING ASSIST HINGE ASSEMBLY



5710R0

<u>ITEM</u>	<u>PART NUMBER</u>	<u>DESCRIPTION</u>	<u>QUANTITY</u>
1	M50X-1032-12	Hex. Bolt, #10-32 UNF x 1/2" Long	4
2	F01BR-10	Washer, 0.036 Thick x 0.200 ID x 7/16 OD	4
3	9029-32	Hex. Nut, #10-32 UNF	4
4	2-KB01	Knob	1

PARTS LIST, DIRECT STEAM KETTLES,
 MODELS: DL-80F, DL-100F, DL-125, DL-150, DP-80F



5250R0

DRAW-OFF VALVE

FIGURE 3

<u>ITEM</u>	<u>PART NUMBER</u>	<u>DESCRIPTION</u>	<u>QUANTITY</u>
	3-D015	1-1/2" DRAW OFF VALVE ASSEMBLY	
1	9031-3	Acorn Nut 10-24 UNC	1
2	4115-1	Handle, Stainless Steel	1
3	3-DV13	Gland Nut	1
4	3-DV14	Bonnet	1
5	3-DV16	"O" Ring	1
6	3-DV15RV	Stem Assembly	1
7	3-DV17	Valve Body	1

PARTS LIST, DIRECT STEAM KETTLES,
 MODELS: DL-80F, DL-100F, DL-125, DL-150, DP-80F

<u>ITEM</u>	<u>PART NUMBER</u>	<u>DESCRIPTION</u>	<u>QUANTITY</u>
	3-D020	2" DRAW OFF VALVE ASSEMBLY	
1	9031-3	Acorn Nut 10-24 UNC	1
2	4115-1	Handle, Stainless Steel	1
3	3-DV23	Gland Nut	1
4	3-DV24	Bonnet	1
5	3-DV26	"O" Ring	1
6	3-DV25RV	Stem Assembly	1
7	3-DV27	Valve Body	1

<u>ITEM</u>	<u>PART NUMBER</u>	<u>DESCRIPTION</u>	<u>QUANTITY</u>
	3-D030	3" DRAW OFF VALVE ASSEMBLY	
1	3-DV31	Acorn Nut, 7/16-14 UNC	1
2	3-DV32	Handle, Stainless Steel	1
3	3-DV33	Gland Nut	1
4	3-DV34	Bonnet	1
5	3-DV36	"O" Ring	1
6	3-DV35RV	Stem Assembly	1
7	3-DV37	Valve Body	1