

Installation Instructions

IMPORTANT: Read these instructions completely before attempting to install this accessory.

TABLE OF CONTENTS

Package Contents 1
 Package Usage 1
 Safety Considerations 1
 General 1
 Installation 1

Table 1 – Package Contents

QTY	PART NUMBER	CONTENTS
1	HY01GF003	20A Ground Fault Circuit Interrupter Duplex Outlet Water Resistant and Tamper Resistant
1	HX30FZ012	Weatherproof Outlet Box (included 2-1/2” NPT plastic plugs and screw to attach box to bracket)
1	50HJ542740	Weatherproof In Use Outlet Cover (includes gasket and screws)
1	48TM001345	Convenience Outlet Bracket
4	HY76TB171	Black Wire Ties
4	AL81AS216	Self-Tapping Screws
4	LF32MZ003	Screw Tip Protector

PACKAGE USAGE


All 48/50 TC, HC, LC and 38AU products.

SAFETY CONSIDERATIONS

Installation and servicing of air-conditioning equipment can be hazardous due to system pressure and electrical components. Only trained and qualified service personnel should install, repair, or service air-conditioning equipment.

Untrained personnel can perform the basic maintenance functions of replacing filters. All other operations should be performed by trained service personnel. When working on air-conditioning equipment, observe precautions in the literature, tags and labels attached to the unit, and other safety precautions that may apply.

Follow all safety codes. Wear safety glasses and work gloves.

Recognize safety information. This is the safety-alert symbol . When you see this symbol on the unit and in instructions or manuals, be alert to the potential for personal injury.

Understand the signal words DANGER, WARNING, and CAUTION. These words are used with the safety-alert symbol. DANGER identifies the most serious hazards which **will** result in severe personal injury or death. WARNING signifies a hazard which **could** result in personal injury or death. CAUTION is used to identify unsafe practices which **may** result in minor personal injury or product and property damage. NOTE is used to highlight suggestions which **will** result in enhanced installation, reliability, or operation.

GENERAL

The accessory 20A non (unit) powered convenience outlet kit is to provide a 20A convenience outlet capability where 20A convenience outlet is required and to provide a flexible installation method that will allow code compliance for height requirements of the GFCI outlet from finished roof surface on the range of rooftop and split system products.

INSTALLATION

IMPORTANT: Follow all applicable local and national electrical codes when installing this accessory. Follow all local and NEC (National Electrical Code) codes.

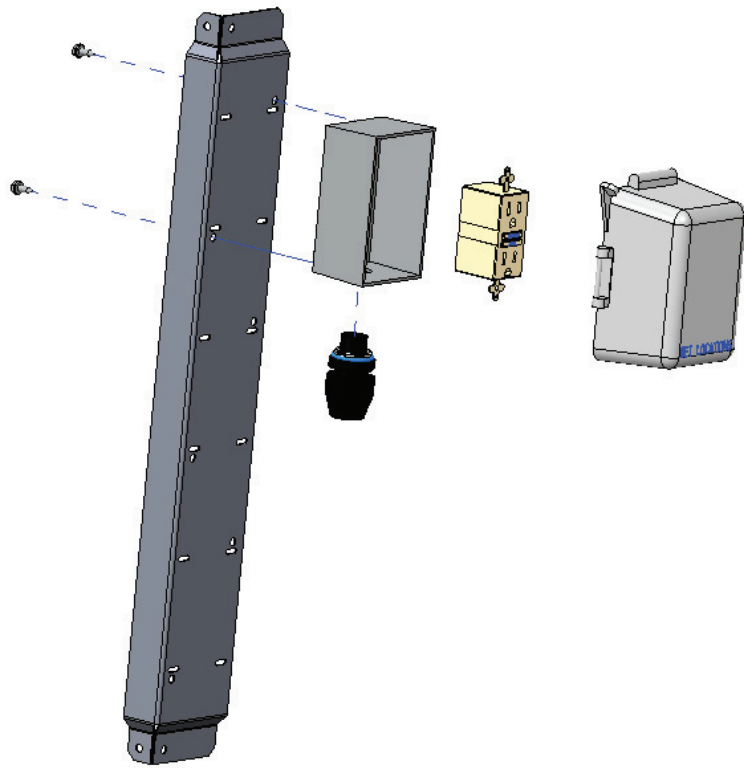
WARNING

ELECTRICAL SHOCK HAZARD

Failure to follow this warning could result in personal injury and/or death.

Before beginning any modifications, disconnect power supply and install lockout tag before attempting to install the accessory. All wiring must comply with applicable national and local codes. Per local codes wiring of this 20A convenience outlet kit may need to be performed by a licensed electrician.

1. Check that all parts are included in kit compared to Package Contents Table 1 above.
2. Turn off unit power supply and install lockout tag. For gas units, turn off the gas supply and lockout.
3. Determine corner of unit where convenience outlet box needs to be located and height of convenience outlet box to comply with local codes and for easy access to the convenience outlet 20A duplex outlet.
4. Install outlet box screw plugs (supplied with outlet box).
5. Assemble weatherproof outlet box to convenience outlet bracket using 2 screws supplied with outlet box. Install box to one of 3 sets of holes in convenience outlet bracket that will locate outlet box high enough from finished roof surface to comply with local code requirements but also low enough to allow easy access to the 20A GFCI duplex outlet.
6. When attaching convenience outlet box to a corner of a control box first insure that no wires or components will contact the self tapping screw in the control box.
7. When attaching convenience outlet box to a corner that is not a control box first insure no wires are running through the corner post that may be damaged by the self tapping screw.
8. Install screw tip protector to the drill tip of the self tapping screw to prevent screw tip from abrading any wire insulation and to prevent minor cuts from the screw tip.
9. Locate existing $\frac{3}{4}$ inch diameter hole in unit close to where unit power enters the unit or with a chassis punch or step drill add another hole to this location being careful to protect any components or wires inside the unit from damage due to drilling.
10. Install field supplied liquid tight conduit connectors and liquid tight conduit from bottom outlet box to inside of unit or to other suitable access point for 115V-1PH-60Hz power supply for building per NEC and Local Electrical codes.
11. Thread or wire tie flexible conduit through base rail fork openings or along base rail as shown in Fig. 3-6.
12. This step should be performed by a licensed electrician. Run wire sized for 20A to unit or other suitable roof access and through flexible conduit to GFCI outlet per local codes and connect wires to GFCI outlet. Install GFCI duplex outlet to outlet box.
13. Install gasket and in use weatherproof outlet cover to outlet box using screws supplied with in use weatherproof outlet cover.
14. Supply 115V single phase 60Hz power to GFCI circuit per NEC and Local Codes. After power is turned on test GFCI by pressing the TEST button on GFCI duplex outlet. Check that power was interrupted when test button is pressed.



**Fig. 1 - Accessory Kit Contents and Exploded View
(Liquid tight connector field supplied)**

A150574

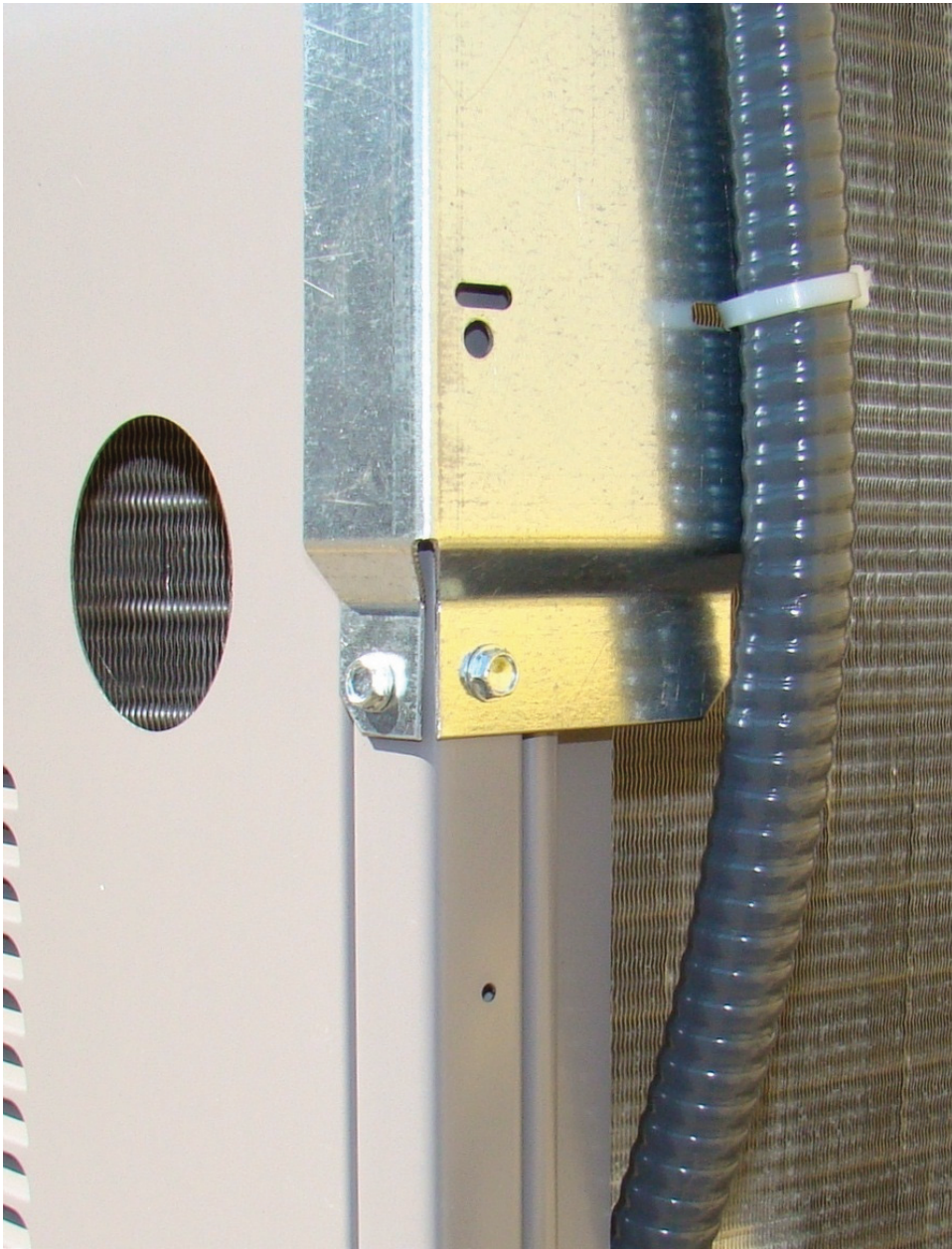


Fig. 3 - Accessory Kit Detail of Mounting Bracket

A150576



Fig. 4 - Detail showing drip loop to prevent water from collecting in liquid tight conduit.

A150577



**Fig. 5 - Accessory Kit Mounted under Top Cover Flange on Large Chassis Unit
(Liquid tight conduit and connector field supplied)**

A150578



**Fig. 6 - Accessory Kit Mounted under Top Cover Flange on Small Chassis Unit with Louvered Hail Guard
(Liquid tight conduit and connector field supplied)**

A150579