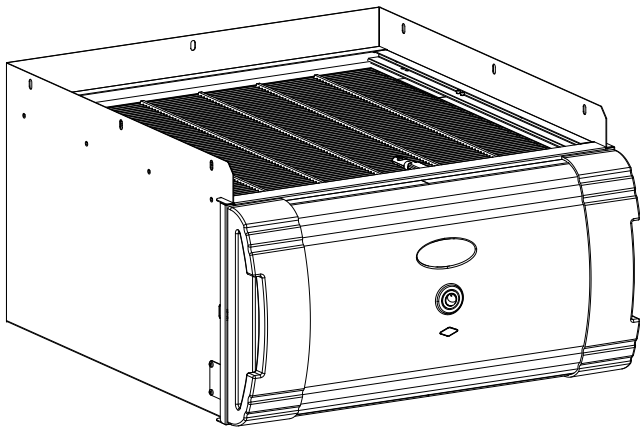


GAPAB Infinity™ Air Purifier for Fan Coils Sizes 1620, 2020, and 2420



Product Data



A06377

The Infinity™ Air Purifier is designed for use in the return air duct of a forced air heating, cooling, and ventilation system. Models GAPABXCC1620, GAPABXCC2020 and GAPABXCC2420 are specifically designed for use in systems with a forced air fan coil and are intended to be powered by 208/230v-60 Hz.

The Infinity™ Air Purifier both captures and kills airborne viruses, bacteria, mold spores, and allergens. It combines superior filtration efficiency MERV 15, with pathogen-killing technology to deliver maximum air purification.

The Infinity™ Air Purifier is designed to require minimal maintenance. Maintenance is limited to the replacement of the air purification cartridge and inspection/brush cleaning of the ionization array. Frequency of air purifier cartridge replacement and cleaning of the ionization array may vary depending on ductwork design and local environmental conditions.

FEATURES/BENEFITS

Performance—Ultra-high efficiency MERV 15. Captures and kills airborne viruses, bacteria, and mold spores.

Simple—Virtually no cleaning required. Simply change purifier cartridge periodically.

Easy to Install—Three distinct cabinet sizes help to ensure a perfect fit to the bottom and side of most Carrier fan coils.

Application Possibilities—Unit can be installed in a horizontal or vertical position, which makes it equally adaptable to horizontal, downflow, or standard upflow applications.

Solid-State Power Supply—Power supply is a highly reliable state-of-the-art, solid-state, high-voltage device.

Durable Cabinet—Heavy-gauge steel cabinet supports up to 400 lb when installed beneath a fan coil.

Agency Listed—Model GAPAB Air Purifier is CSA (Canada and US) listed.

Financing—Eligible for consumer financing program.

INFINITY™ SERIES



SPECIFICATIONS AND DIMENSIONS

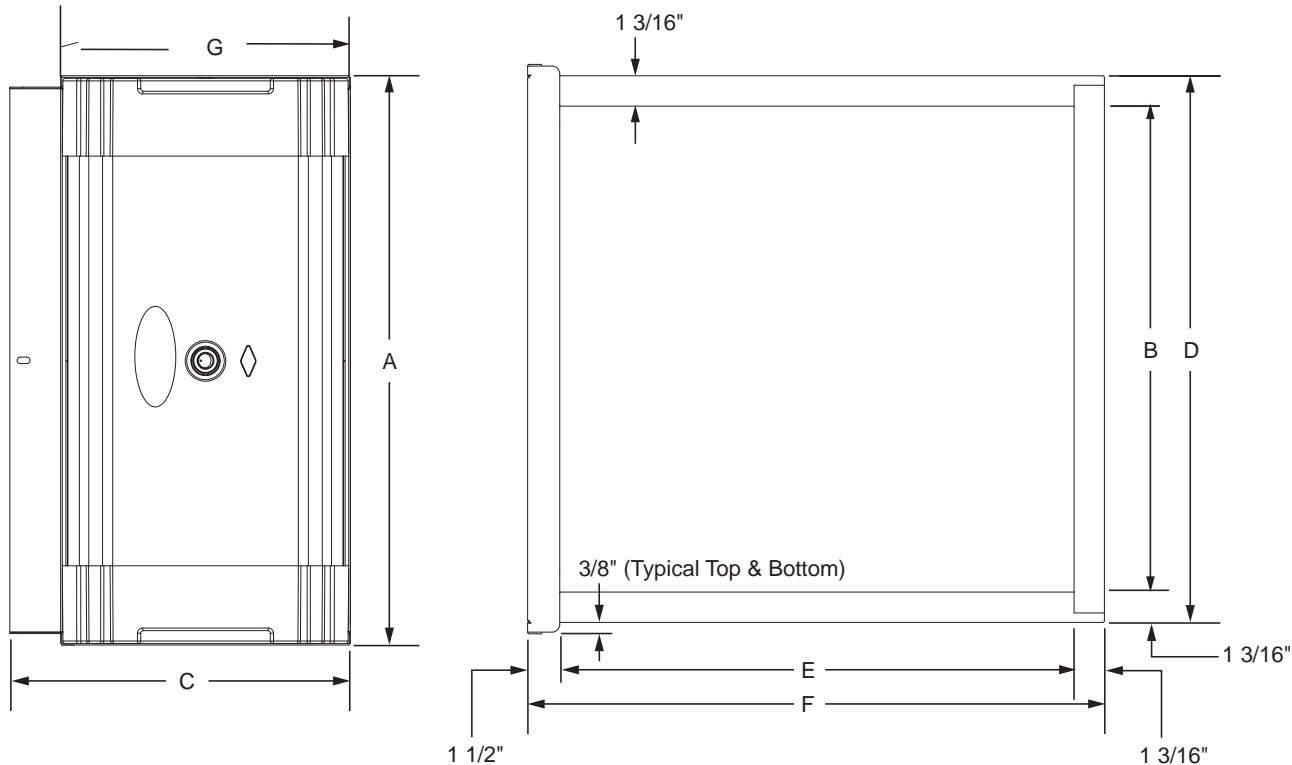
| SPECIFICATIONS | GAPABXCC1620 | GAPABXCC2020 | GAPABXCC2420 |
|---------------------------------------------------------|----------------------------|----------------------------|----------------------------|
| Color | Taupe Metallic | Taupe Metallic | Taupe Metallic |
| Cabinet Material | 20 Ga. Powder Coated Steel | 20 Ga. Powder Coated Steel | 20 Ga. Powder Coated Steel |
| Electrical | 208/230v/60Hz | 208/230v/60Hz | 208/230v/60Hz |
| Maximum Airflow (CFM) | 1350 | 1800 | 2000 |
| Efficiency | MERV 15 | MERV 15 | MERV 15 |
| Replacement Cartridge | GAPCCCAR1620 | GAPCCCAR2020 | GAPCCCAR2420 |
| Initial Pressure Drop (in w.c.) (at maximum airflow) | .22 | .25 | .22 |

| DIMENSIONS | GAPABXCC1620 | GAPABXCC2020 | GAPABXCC2420 |
|------------|--------------|--------------|--------------|
| A | 18-1/2 | 22 | 25-1/2 |
| B | 15-1/8 | 18-5/8 | 22-1/8 |
| C | 13-1/8 | 13-1/8 | 13-1/8 |
| D | 17-5/8 | 21-1/8 | 24-5/8 |
| E | 19-3/4 | 19-3/4 | 19-3/4 |
| F | 22-1/4 | 22-1/4 | 22-1/4 |
| G | 11-1/4 | 11-1/4 | 11-1/4 |

PRESSURE DROP AT VARIOUS INTERVALS (CLEAN)

| AIRFLOW (CFM) | RESISTANCE (INCHES OF WATER) (CLEAN FILTER) | | |
|------------------|---------------------------------------------|-----------------|-----------------|
| | TYPICAL 16 X 20 | TYPICAL 20 X 20 | TYPICAL 24 X 20 |
| 400 | 0.04 | 0.035 | 0.03 |
| 600 | 0.07 | 0.06 | 0.05 |
| 800 | 0.10 | 0.08 | 0.07 |
| 1200 | 0.18 | 0.14 | 0.11 |
| 1400 | 0.23 | 0.17 | 0.14 |
| 1600 | -- | 0.21 | 0.16 |
| 1800 | -- | 0.25 | 0.19 |
| 2000 | -- | -- | 0.22 |

NOTE: When applying the GAPAB Infinity™ Air Purifier, attention must be given to the duct and system design because all these components affect system static pressure. The GAPAB Infinity™ Air Purifier has a higher static pressure drop than the typical factory supplied furnace and/or fan coil filter (as shown above), but is designed to ensure proper system efficiency and reliability when applied to a properly designed duct system and properly sized HVAC equipment.



A06378