



Series 800 Steam Humidifier Installation & Maintenance Instructions

TABLE OF CONTENTS

Safety Cautions	2	Supply Water	12
Materials List	3	Drain Line	13
Principles & Sequence of Operation	4	Electrical Power Wiring & Shut-off Switch	13
Specifications & Dimensions	5	Automatic Digital Control and Accessory Wiring	18
Installation Instructions	8	Thermostat in a Zoned HVAC System	19
Choosing a Location	8	Manual Digital Humidistat and Fan Pack Wiring	20
- Dispersion Tube Location	8	Automatic Digital Modulating Control Wiring	21
- Elevation	9	Start-up Procedure	23
- Distance from Humidifier to Dispersion Tube/Fan Pack	10	Operating Modes	24
- Humidifier Location	11	Shut Down Procedure	25
Prepare Humidifier for Mounting	12	Display Panel	25
Install Steam Dispersion Tube/Fan Pack	12	Maintenance	26
Mount Humidifier	12	Troubleshooting Guide	27
Install Steam Hose	12	Replacement Parts	30

READ AND SAVE THESE INSTRUCTIONS



SAFETY CAUTIONS

CAUTION

ATTENTION INSTALLER

Read this manual before installing. This product must be installed by qualified HVAC and electrical contractors and in compliance with local, state, federal, and governing codes. Improper installation can cause property damage, severe personal injury, or death as a result of electric shock, burns, or fire.

Read all cautions and instructions.

Read this manual before performing service or maintenance procedures on any part of the system. Failure to follow all cautions and instructions could produce the hazardous situations described, resulting in property damage, personal injury, or death.

Failure to follow the instructions in this manual can cause moisture to accumulate, which can cause damage to structure and furnishings.

HOT SURFACES AND HOT WATER

This steam humidification system has extremely hot surfaces. Water in steam canister, steam pipes, and dispersion tube can be as hot as 212°F (100°C). Discharged steam is not visible. Contact with hot surfaces, discharged hot water, or air into which steam has been discharged can cause severe personal injury. To avoid severe burns, follow procedures in this manual when performing service or maintenance procedures on any part of the system.

DISCONNECT ELECTRICAL POWER

Disconnect electrical power before installing supply wiring or performing service or maintenance procedures on any part of the humidification system. Failure to disconnect electrical power could result in fire, electrical shock, and other hazardous conditions. These hazardous conditions could cause property damage, personal injury, or death.

Contact with energized circuits can cause property damage, severe personal injury, or death as a result of electrical shock or fire. Do not remove access panels unless electrical power is disconnected.

Follow the shutdown procedure in this manual before performing service or maintenance procedures on any part of the system.

ELECTRICAL SHOCK HAZARD

If the humidifier starts up responding to a call for humidity during maintenance, severe injury or death from electrical shock could occur. Follow the procedures in this manual before performing service or maintenance procedures on this humidifier.

EXCESSIVE SUPPLY WATER PRESSURE

Supply water pressure greater than 120 psi may cause the humidifier to overflow.

SHARP EDGES

Sharp edges may cause serious injury from cuts. Use care when cutting plenum openings and handling ductwork.

EXCESS HUMIDITY

Do not set humidity higher than recommended. Condensation may cause damage to structure and furnishings.

MATERIALS LIST

MODELS 800 & 865

MATERIALS FURNISHED WITH MODEL 800

Humidifier
Model 62 Automatic Digital Humidifier Control
Dispersion tube
Steam hose (6 feet)
7/8" I.D. drain tubing (10 feet)
Hose clamps
Saddle valve
Mounting screws

ADDITIONAL MATERIALS FURNISHED WITH MODEL 865

Fan Pack (instead of dispersion tube)
Model 65 Digital humidistat (instead of Model 62 ADHC)
4 housing mounting screws
2 tap connectors
2 wire ties
2 grille mounting screws
Neoprene condensation tubing – 3/8" I.D. (10 feet)
Model 4028 Drain Tee and Trap Assembly

NOT FURNISHED

Main power disconnect switch
Wiring
1/4" O.D. supply water tubing
Boards for mounting (if required)

MODELS 801 & 866

MATERIALS FURNISHED WITH MODEL 801

Humidifier
Dispersion tube
Steam hose (6 feet)
7/8" I.D. drain tubing (10 feet)
Hose clamps
Saddle Valve
Mounting Screws

ADDITIONAL MATERIALS FURNISHED WITH MODEL 866

Fan Pack (instead of dispersion tube)
4 housing mounting screws
2 tap connectors
2 wire ties
2 grille mounting screws
Neoprene condensation tubing - 3/8" I.D. (10 feet)
Model 4028 Drain Tee and Trap Assembly

NOT FURNISHED

Model 63 Automatic Digital Modulating Control
Main power disconnect switch
Wiring
1/4" O.D. supply water tubing
Boards for mounting (if required)

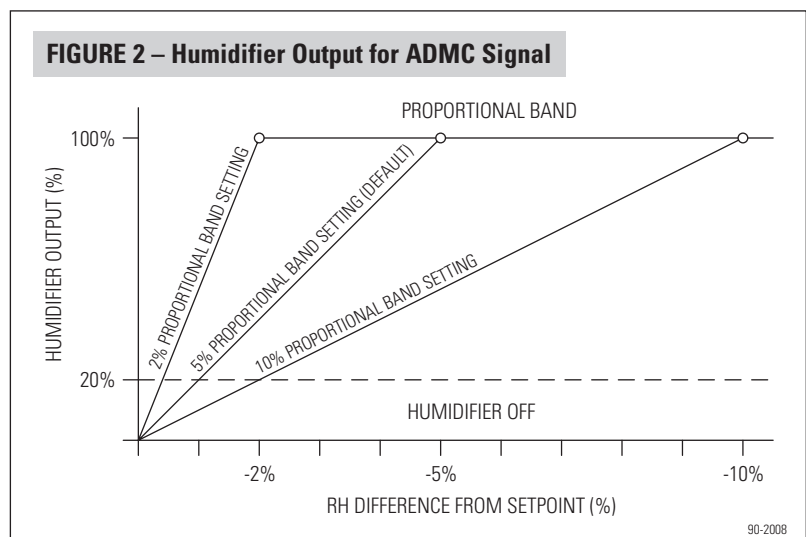
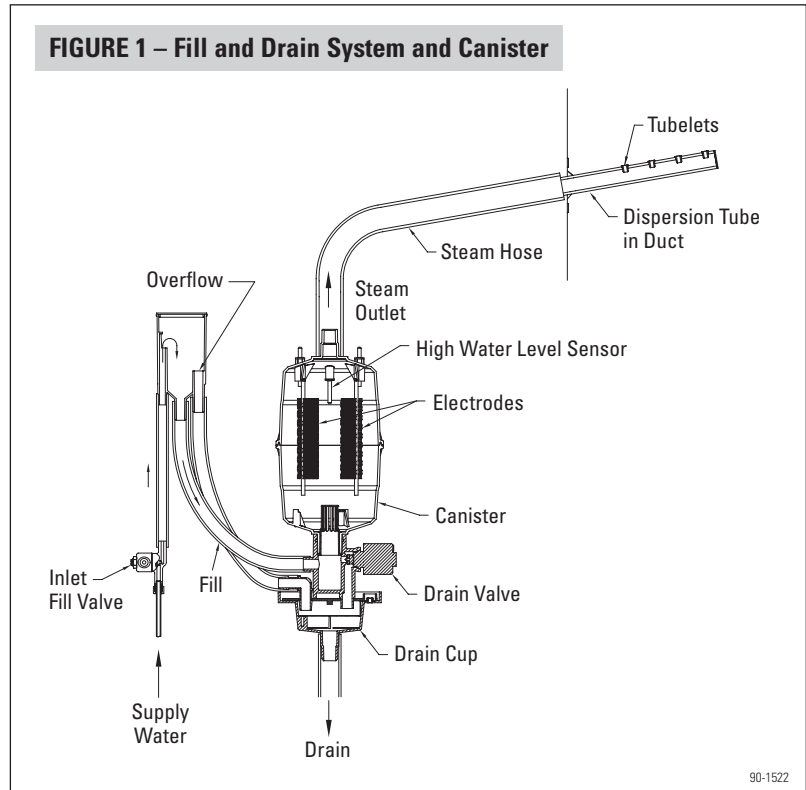
PRINCIPLES & SEQUENCE OF OPERATION

The Aprilaire® Steam Humidifier delivers humidity in the form of steam to the conditioned space via the HVAC system duct or Fan Pack. The humidifier generates steam by energizing two electrodes that extend into a canister of water. Current flowing between the electrodes causes the water to boil, creating steam. Water is introduced to the humidifier through a fill valve to a fill cup located in the top of the cabinet. The fill cup serves as an overflow reservoir and provides an air gap between the humidifier and water source. The steam canister is filled from the bottom. The canister is seated in a drain cup assembly which includes a drain valve. The drain and fill valves work together to maintain water level in the canister to deliver the rated steam capacity based on the electrical conductivity of the water and to temper drain water. See **Figure 1** for representation of fill and drain system and canister.

To control the Steam Humidifier as part of the HVAC system, the Model 62 Automatic Digital Humidifier Control (ADHC) is installed to detect the RH level in the duct. When the ADHC detects RH below the set point, and the humidifier and HVAC system blower are operating, the humidifier energizes the electrodes to provide steam. Steam is delivered into the duct work via the steam hose and through the dispersion tube. The dispersion tube is fitted with opening called "Tubelets™". The design of the dispersion tube and Tubelets distribute steam over a wide area in the duct and direct any condensed moisture back into the steam hose. The blower activation function on the ADHC allows the control to turn on the HVAC system blower to maintain the proper RH level even when the furnace or air handler is in stand-by mode. See ADHC installation manual.

Humidity can be distributed directly into the living space via the Fan Pack. When the Model 65 Manual Digital Humidistat detects RH below the set point, the humidifier energizes the electrodes to provide steam via the steam manifold at the bottom of the Fan Pack. Steam is dispersed by the fan located behind the grille above the steam manifold. The fan will operate for two minutes after the call for humidity ends, to disperse any residual steam.

To provide precise control to the Modulating Steam Humidifier, the Automatic Digital Modulating Control (ADMC) should be installed in the living space. The ADCM will vary the Modulating Steam Humidifier output based on the difference between set point and actual RH. The ADCM sends a proportional signal to the Modulating Steam Humidifier providing precise control of living space humidity. See **Figure 2** for steam humidifier output vs RH demand. The ADCM can be used in place of the ADHC and Manual Digital Humidistat to provide On/Off control to the Steam Humidifier not equipped with the modulating feature. See the ADCM installation and operating manual for details.



SPECIFICATIONS & DIMENSIONS

This humidifier is able to produce steam at various capacities depending on the voltage and current applied. The unit can be wired to use an input voltage of 120, 208 or 240 Volts and input amperage can be set to 11.5 or 16.0 amps by changing a dip switch on the control circuit board (see the Electrical Power Wiring & Shut Off Switch section on page 13). Configure the unit appropriately for the application (see **Table 1** for capacity specifications).

TABLE 1 – Humidifier Capacities and Recommended Home Sizes					
Amperage	Voltage	Maximum steam capacity (gal/day)	Maximum recommended home size in ft ² *		
			Tight	Average	Loose
11.5	120V	11.5	2,500 sq ft	1,500 sq ft	1,000 sq ft
	208V	20.5	4,500 sq ft	2,500 sq ft	1,500 sq ft
	240V	23.3			
16.0	120V	16.0	3,500 sq ft	2,000 sq ft	1,500 sq ft
	208V	30.0	6,000 sq ft	4,000 sq ft	2,500 sq ft
	240V	34.6			

*Assumes 8 ft ceiling height, adjust as necessary for higher ceilings. For homes with multiple furnaces/air handlers a humidifier should be installed on each.

Model 800 Shipping Weight: 28 lbs

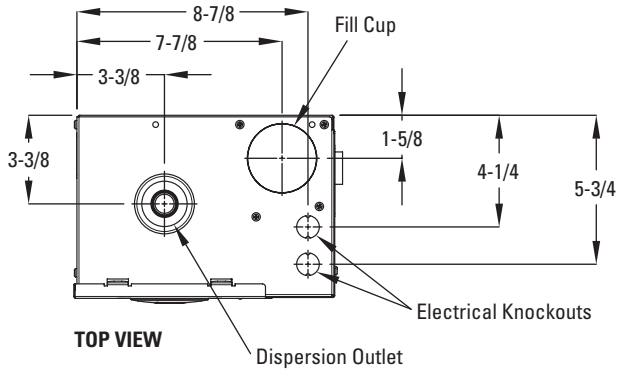
Model 865 Shipping Weight: 39 lbs

Humidifier Operating Weight: 23 lbs**

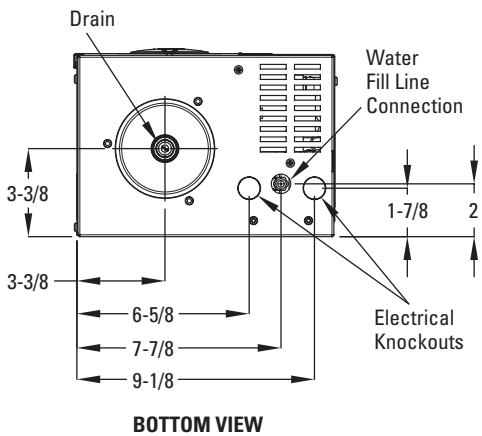
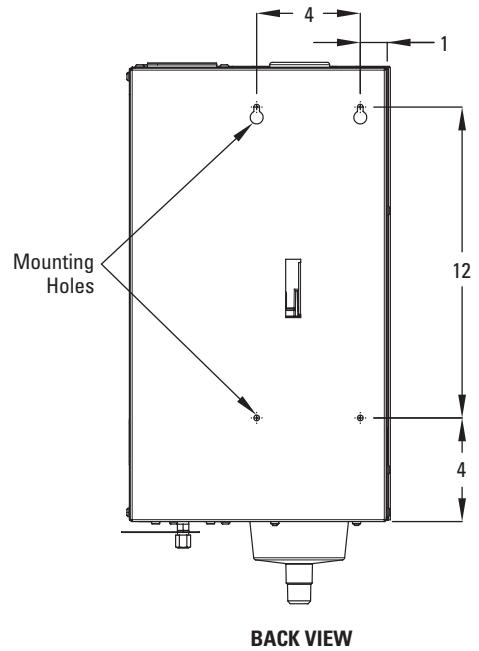
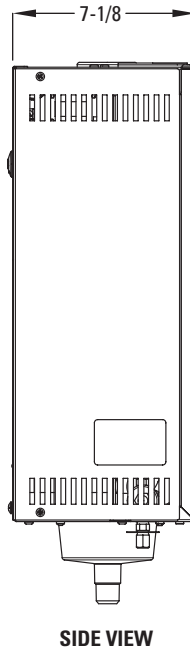
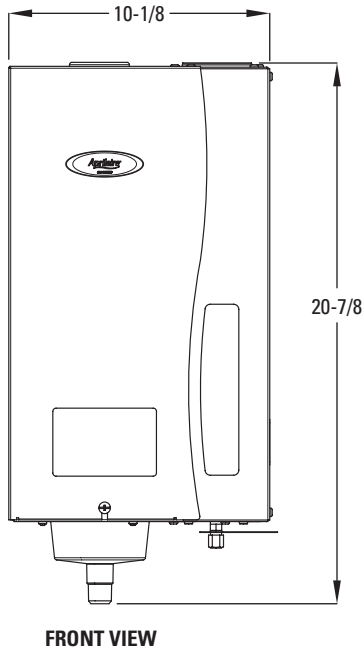
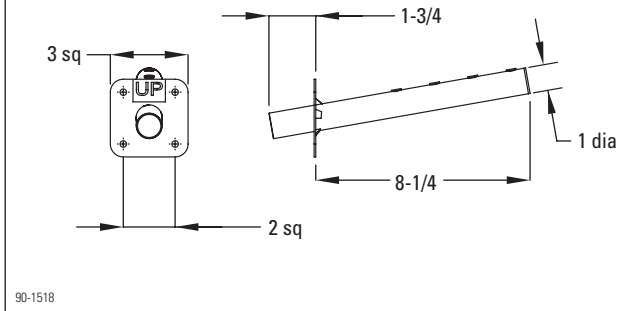
**As minerals precipitate unit weight can increase to approximately 30 lb.

SPECIFICATIONS & DIMENSIONS (CONTINUED)

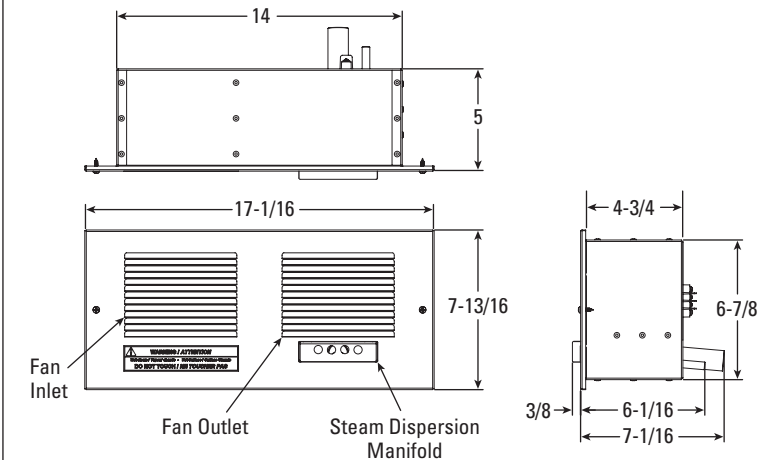
FIGURE 3 – Humidifier Dimensions (inches)



Steam Dispersion Tube



Fan Pack



SPECIFICATIONS & DIMENSIONS (CONTINUED)

WATER QUALITY

Minerals that are naturally found in water cause the water to be electrically conductive. Water conductivity is measured in micro Siemens per centimeter (uS/cm). Mineral content, also described as "water hardness" is usually measured in grains per gallon. Because of the variety of minerals that are found in water, there is no direct correlation between water hardness and conductivity, but generally the higher the mineral content, the higher the conductivity.

The Steam Humidifier is designed to operate on water with conductivity between 125 and 1,250 uS/cm. This correlates loosely with water with hardness between 3 and 36 grains/gallon. Water that is considered "hard" and also softened water work well in the Steam Humidifier. The humidifier will make steam when plumbed to low-conductivity water but it takes longer to reach nominal capacity.

With low conductivity water, it may take the Steam Humidifier one week or more of operation to reach rated capacity, especially if it is wired to operate on 120 volts. When operating on 208/240 volts, the Steam Humidifier usually will reach nominal capacity within a few hours, even with lower conductivity water.

As water in the canister boils and turns into steam, minerals are left behind. Minerals remaining in solution increase the conductivity of the water. Minerals also deposit onto the submerged portions of the electrodes rendering those areas ineffective. As this occurs, the level of water in the canister rises to expose uncoated electrode surface.

There are benefits and trade-offs to consider when the application allows a choice between hard and softened water:

Hard water: The benefit of hard water is less frequent draining and filling than with soft water, which results in better energy and water efficiency and more consistent steam output. However, canister replacement could be more frequent with hard water, because mineral deposits coat the electrodes. The harder the water, the more frequent the need for a new canister.

Softened water: The benefit of softened water is longer canister life (depending on water chemistry) than with hard water, because softened water does not coat the electrodes nearly as much as hard water. However, softened water ions stay in solution to much higher concentrations than hard water ions. This requires more frequent draining and filling, which results in lower energy efficiency, higher water consumption and less consistent steam output.

TABLE 2 – Water Quality Guidelines				
Conductivity (uS/cm) of water connected to humidifier	Estimated grains/gallon (prior to any water softening)	Hardness (prior to any water softening)	Canister behavior	Solution
0-125	0-3	Naturally Soft	Humidifier does not function.	Installation not recommended.
125-300	3-9	Naturally Soft	Long start up time.	Power with 208/240VAC, use constant fan to decrease time to reach full capacity.
300-500	9-15	Slightly Hard	Optimal performance range.	Use either hard or softened water.
500-640	15-20	Moderately Hard		
640-840	20-25	Hard		
840-1250	25-36	Very Hard	Shortened canister life due to mineral build up.	Use softened water.
above 1250	36	Extremely Hard	Canister performance degrades quickly.	Installation not recommended.

INSTALLATION INSTRUCTIONS

⚠ CAUTION

Each humidifier requires its own steam hose and dispersion tube. Do not connect steam hoses from more than one humidifier together. Back-pressure from one humidifier can lower the water level in the canister in the other humidifier and cause operational problems.

Do not install the dispersion tube in a duct with greater than 2 in. wg static pressure. High duct pressure can cause back-pressure in the canister which can result in unstable unit operation.

Do not mount humidifier in a location where operating ambient temperatures exceed 104°F or where freezing temperatures may occur.

CHOOSING A LOCATION

DISPERSION TUBE LOCATION

When choosing a location for the dispersion tube three things must be considered: Location in duct, elevation with respect to the humidifier, and distance from humidifier to dispersion tube.

Duct Location and Absorption Distance

Absorption distance, the unobstructed straight line distance needed for steam to be fully absorbed, is dependent on air velocity, air temperature and relative humidity in the duct. **Determine absorption distance based on the lowest duct temperature, lowest air velocity and highest humidity that the system will see.** The dispersion tube must be located in a straight section of duct far enough upstream of any obstructions or bends in the duct. Use **Table 3** to determine the appropriate absorption distance.

Operation during AC calls is not recommended because of the potential for condensation in the ductwork. Configure controls to lock out the humidifier during AC calls and use the blower activation feature to allow the humidifier to run with the blower only. Call Aprilaire Tech Support at 1-800-334-6011 for additional information on steam absorption.

The dispersion tube must be mounted with the plate on a vertical surface with the tube angled up as shown in **Figure 4**. The steam tubelets must face up regardless of the airflow direction in the duct. The plate is labeled "UP" to indicate proper orientation. On horizontal duct runs install the dispersion tube low in the duct, on vertical runs center the tube on the duct.

If the dispersion tube is mounted on insulated ductwork, make sure insulation is not more than 2" thick at tube location to prevent insulation from blocking first steam outlet.

Note: If dispersion tubes for two humidifiers are installed in one duct, double the dispersion distances. If three dispersion tubes are installed, triple the dispersion distance. Position dispersion tubes so one does not discharge directly onto another.

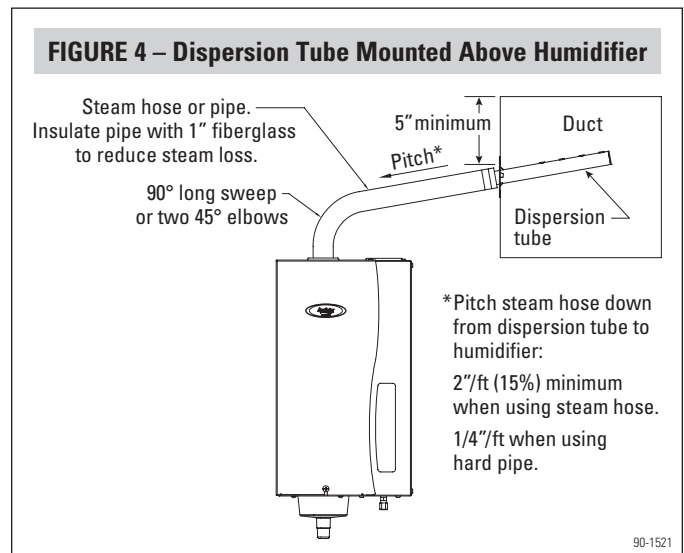
INSTALLATION INSTRUCTIONS (CONTINUED)

TABLE 3 – Absorption Distance (Minimum distance from dispersion tube downstream to any obstruction or bend in duct)					
Humidifier Output (gal/day)	Airflow Velocity*	70°F & 30% RH Setpoint	70°F & 45% RH Setpoint	65°F & 45% RH Setpoint	45°F & 45% RH Setpoint
Up to 16.0	300 fpm	13"	19"	23"	30"
	600 fpm	6"	10"	12"	18"
	1200 fpm	3"	5"	6"	13"
	1800 fpm	2"	3"	4"	10"
20.5 – 25.0	300 fpm	15"	23"	28"	45"
	600 fpm	6"	12"	13"	26"
	1200 fpm	5"	6"	7"	19"
	1800 fpm	3"	4"	5"	16"
25.0 – 35.0	300 fpm	24"	31"	36"	60"
	600 fpm	17"	22"	26"	48"
	1200 fpm	12"	15"	18"	25"
	1800 fpm	10"	13"	15"	20"

*Velocity in feet per minute = Duct airflow volume in cubic feet per minute / duct area in square feet.
 Example: 1,200 cfm through 16" x 12" duct = 1,200/(12 x 16/144 sq. in./sq ft.) = 1,200/1.333 = 900 fpm

ELEVATION

The preferred location for the dispersion tube is higher than the humidifier so that the steam hose has a constant downward slope of at least 2" per foot from the dispersion tube to the humidifier. If hard pipe is used, the slope can be 1/4" per foot. With the constant downward slope, any condensation that forms in the steam hose will drain back into the steam canister. See **Figure 4**.



INSTALLATION INSTRUCTIONS (CONTINUED)

NOTICE

CONTROL CONDENSATE FLOW AND COLLECTION.

Failure to follow steam hose recommendations in this manual can result in reduced or erratic performance, increased noise and condensate in the duct.

If the dispersion tube must be mounted below the humidifier or if the steam hose needs to run up and over an obstruction, a drip tee with drain trap, Part #4028, must be installed as shown in **Figure 5**. When using a fan pack, install Part #4028 close to the humidifier outlet to help prevent noise from gurgling as shown in **Figure 6**.

DISTANCE FROM HUMIDIFIER TO DISPERSION TUBE/FAN PACK

The capacity of the humidifier is reduced by the length of the steam hose or pipe due to condensation. The maximum recommended length of steam hose is 6 feet. Use hard pipe insulated with 1" thick insulation rated for 212°F or higher for lengths greater than 6 feet. **Table 4** provides humidifier capacity with various lengths of steam hose and pipe. If 6-foot steam hose does not reach from humidifier to dispersion tube, splice in 1" copper pipe using 3/4" x 1" reducing couplings as shown in **Figure 7**.

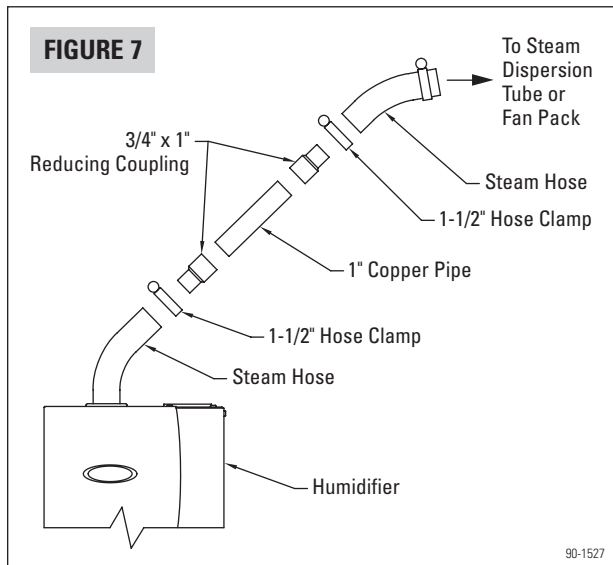


FIGURE 5 – Dispersion Tube Mounted Below Humidifier

Drip tee installation for piping over obstruction, or if dispersion tube is lower than humidifier.

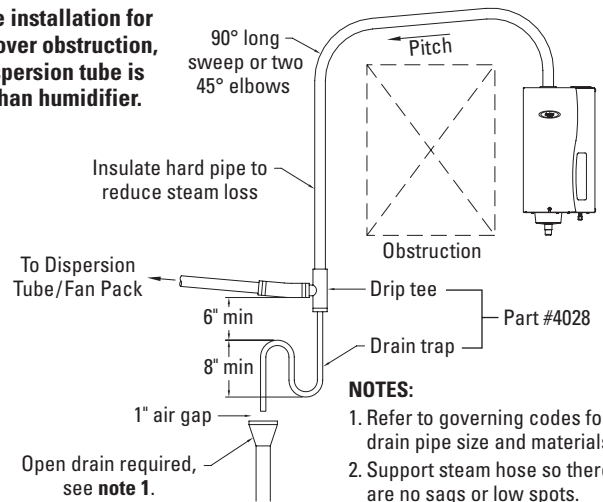
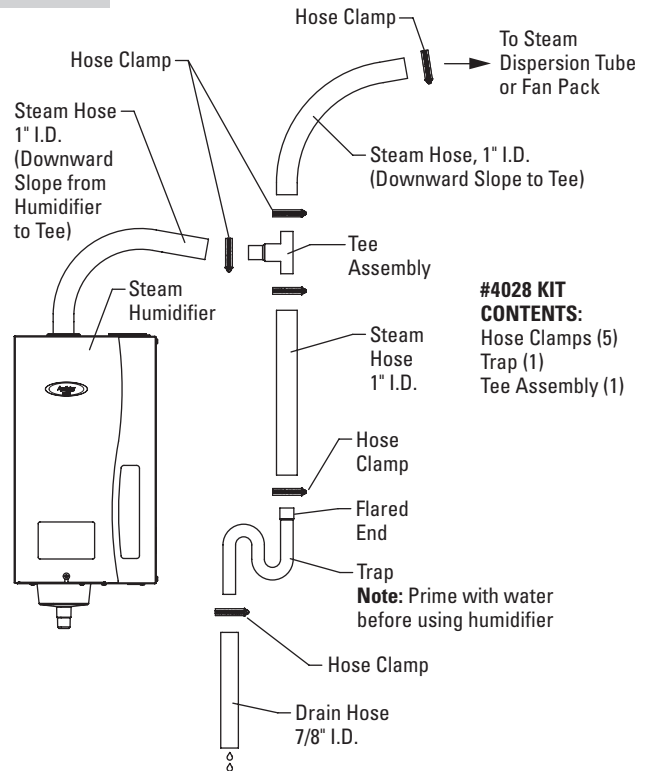


FIGURE 6



INSTALLATION INSTRUCTIONS (CONTINUED)

TABLE 4 – Steam Humidifier Capacity in Gallons/Day

Steam Hose or Insulated Pipe Length	120 Volts				208 Volts				240 Volts			
	11.5 Amps		16.0 Amps		11.5 Amps		16.0 Amps		11.5 Amps		16.0 Amps	
	Steam Hose	Insulated Pipe	Steam Hose	Insulated Pipe	Steam Hose	Insulated Pipe	Steam Hose	Insulated Pipe	Steam Hose	Insulated Pipe	Steam Hose	Insulated Pipe
< 2 ft.	11.5	11.5	16.0	16.0	20.5	20.5	30.0	30.0	23.3	23.3	34.6	34.6
2 ft.	11	11	15.5	15.5	20	20	29	29.5	23	23	34	34
4 ft.	10	11	14.5	15.5	19	20	28	29.5	22	23	33	34
6 ft.	9	11	13.5	15	18	20	27	29	21	22	32	33
8 ft.		10		14		19		28		22		33
10 ft.		10		14		19		28		22		33
12 ft.		10		14		19		28		22		33
14 ft.		9		13		18		27		21		32
16 ft.		9		13		18		27		21		32
18 ft.		9		13		18		27		21		32
20 ft.		9		13		18		27		20		31

HUMIDIFIER LOCATION

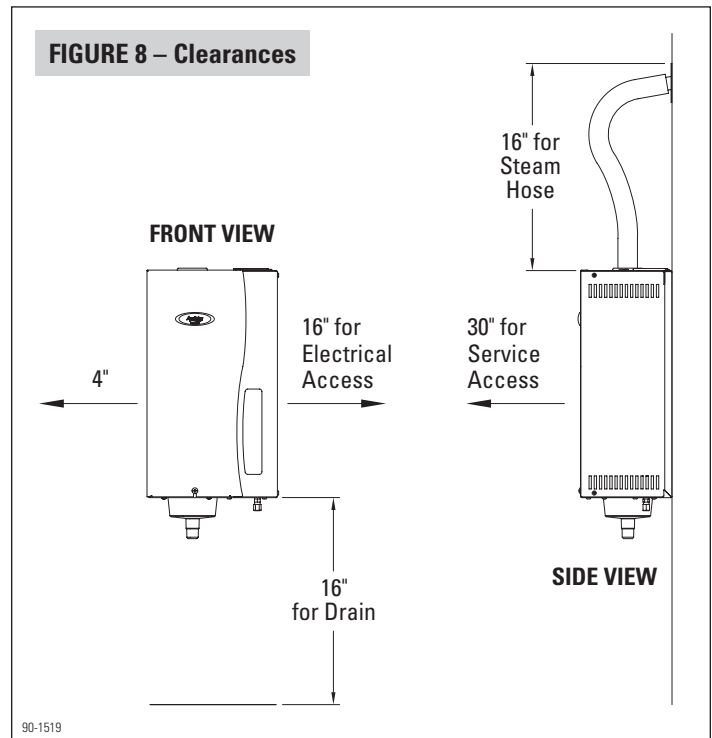
Do not mount humidifier in a location where operating ambient temperature exceeds 104°F or where freezing temperatures may occur. Extreme temperatures may cause the humidifier to leak which can damage furnishings or structure.

Mount humidifier in a location that allows access for servicing, and clearance to remove front panel for replacing the canister and side panel for access to the electrical components during installation. See **Figure 8** for minimum clearances around humidifier.

The humidifier should be mounted as close to the dispersion tube as possible. **Table 4** shows how capacity is reduced as the distance between the humidifier and dispersion tube increases. If the humidifier is mounted on the duct directly below the dispersion tube, allow space for a bend in the steam hose. Allow a minimum of 2" of steam hose to extend straight out of the humidifier before beginning any bends; this will help ensure a tight connection with the top of the canister.

The humidifier can be mounted to a wood surface, or to sheet metal ductwork if it is structurally stable. Do not mount humidifier to fiber duct board. Sound isolation may be desired when mounting to sheet metal ductwork.

The humidifier must be mounted to a vertical surface and must be mounted level in the upright position.



INSTALLATION INSTRUCTIONS (CONTINUED)

PREPARE HUMIDIFIER FOR MOUNTING

Unpack carton. Open front panel by removing screw and lifting panel up and away from humidifier. Disconnect three wires from top of canister by pulling straight up. The two large wires are the electrode conductors. The smaller wire is connected to the high water level sensor. Remove canister by pulling it up and out of drain assembly. Remove two screws on right side of humidifier and lift side panel off housing to expose electrical compartment.

INSTALL STEAM DISPERSION TUBE

Make sure steam dispersion tube is mounted higher than the humidifier so that condensation that forms in the steam hose runs back into the canister. If the dispersion tube cannot be mounted higher than the humidifier or if the steam hose must extend up from the humidifier then down to the dispersion tube due to an obstruction, a drip tee and drain trap system (Part #4028) must be installed as shown in **Figure 5**.

Drill a 1-1/4" diameter hole in a vertical surface of the duct at the location chosen for the dispersion tube. Position the dispersion tube so it is angled up, regardless of airflow direction. UP is stamped on the mounting bracket to aid in proper installation. Secure with four sheet metal screws provided.

MOUNT HUMIDIFIER

Secure humidifier to sturdy wall using screws provided, or to sheet metal duct. Humidifier initially weighs 23 lbs with a full canister, but will increase in weight over time due to the precipitation of minerals inside the canister. Make sure mounting system will support weight. If mounting to stud frame wall, install two spanner boards to studs and fasten humidifier to spanner boards. Make sure humidifier is mounted plumb.

INSTALL STEAM HOSE

Six feet of steam hose is provided with the humidifier. If the steam hose must be cut, use a hacksaw. If additional length is required, use 1" O.D. metal or copper pipe. **Do not use PVC pipe for steam line.** Insulate pipe with 1" thick insulation rated for 212°F or higher to reduce steam loss. See **Table 4** for humidifier capacity at various lengths of steam hose and pipe.

Use the steam hose provided. Other hoses may have impurities which can cause foaming in the canister. Foaming can cause water level inaccuracies, reduced steam production and water sputtering into the duct. When using pipe, remove all traces of residual materials used to connect the pipe to prevent foaming.

Verify that the O-ring is in place in the groove in the drain assembly. Dampen the O-ring with water (DO NOT use oil, grease, or any lubricant besides water), then reinsert the canister with the caution label positioned toward the front of the unit.

Attach steam hose to dispersion tube and then to top of canister using hose clamps provided. Make sure steam hose has a constant slope of at least 2" per foot between the dispersion tube and the humidifier. Any and every low spot in the steam hose or pipe must have a drip tee and drain trap. Fill drain trap with water before making final connections. Support the steam hose in multiple locations over its span to prevent sagging.

Attach and fully seat the electrode conductors (interchangeable) and the high water level sensor wire to the top of the canister.

SUPPLY WATER

Plumb the humidifier to cold, hard or softened water. **Do not use hot water because unheated supply water is used to cool water draining from the humidifier.** Do not use demineralized or reverse osmosis water. For proper operation, supply water pressure must be between 25 psi and 120 psi. Hard or softened water may be used provided it has conductivity between 125 microS/cm and 1250 microS/cm. See **Table 2**.

Supply water piping must be free of oils, lubricants, solder flux and other contaminants, which can cause foaming.

Follow local plumbing codes. An external backflow preventer may be needed.

Install the saddle valve according to the instructions printed on the bag. Run 1/4" copper tubing from the saddle valve to the humidifier. Connect it to the fill valve. Double wrench to prevent leaking and damage to valve. Addition of a stainless steel braided water line can help reduce valve noise.

Note: Adding an inline particulate filter can increase canister life in areas with high levels of suspended solids. DO NOT use filters that release scale inhibitors, filters of this type can significantly decrease canister life.

INSTALLATION INSTRUCTIONS (CONTINUED)

DRAIN LINE

Attach the 7/8" I.D. drain tubing provided to the drain assembly at the bottom of the humidifier. Secure with the hose clamp provided. Do not over tighten.

Make sure the drain line has a constant downward slope from the humidifier to the drain and is not kinked or blocked.

If floor drain is not available, use condensate pump (Part #4856) to route water to a suitable drain. Provide at least 16 inches for of drain line between the Steam Humidifier and the condensate pump.

Note: The humidifier uses cold water to temper drain water to less than 140°F.

ELECTRICAL POWER WIRING & SHUT-OFF SWITCH

CAUTION

Only qualified electrical personnel should perform field wiring procedures. Improper wiring or contact with energized circuits can cause property damage or severe personal injury.

All wiring must be installed in accordance with all governing electrical codes and with the wiring diagram provided inside the front panel.

Do not loop power wiring.

Do not use aluminum wire.

A safety grounding system that meets all governing electrical codes is required. The ground connection must be made with solid metal to metal connections. Ground wire must be the same size as the power wiring.

With factory settings, the Steam Humidifier draws 11.5 amps +/- 10%. Use a minimum 20 amp dedicated circuit when installing to operate at 11.5 amps. The Steam Humidifier can be set to draw 16.0 amps +/- 10% by repositioning dip switch #1 on the control circuit board (see **Figure 9**). When set to 16 amps, use a minimum 25 amp dedicated circuit. For both applications, size wire according to local codes.

The Steam Humidifier is shipped from the factory wired for 240 VAC operation, but it can operate on 120, 208 or 240 VAC. **If using 120V or 208V, move the black/white jumper wire to the proper tab on the control circuit board.** See **Figures 10, 11, 12.**

WIRING INSTRUCTIONS

Install disconnect switch (not provided) between line power source and humidifier.

Knock-outs for power wiring and low voltage control circuit wiring are provided.

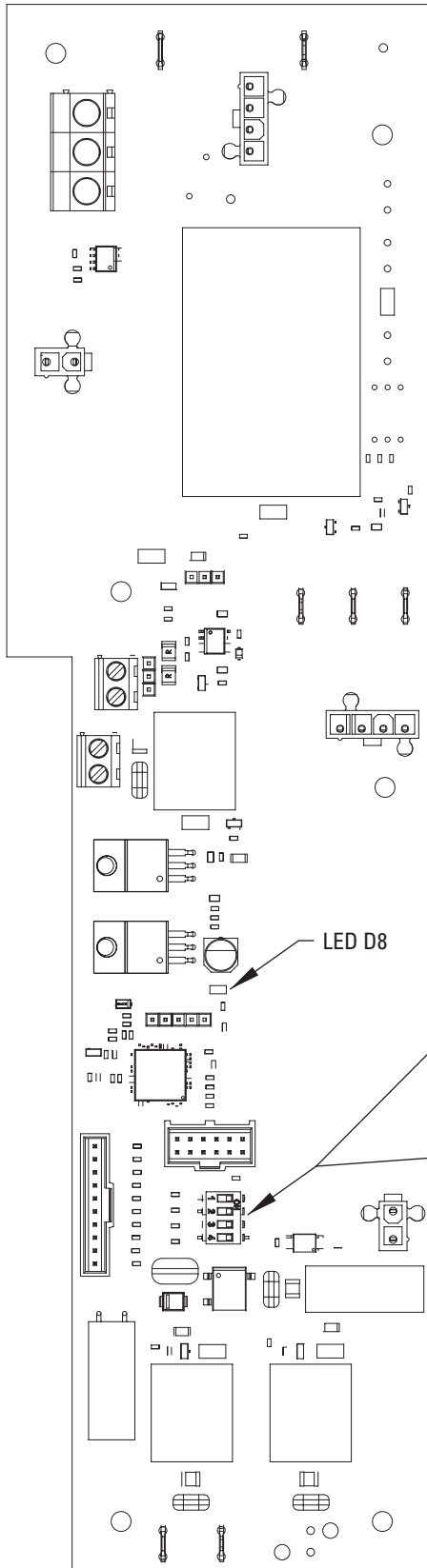
Connect power and ground wiring as shown in appropriate wiring diagram.

- 240 VAC – **Figure 10**
- 208 VAC – **Figure 11**
- 120 VAC – **Figure 12**

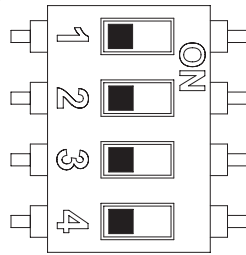
Do not run high voltage power lines over internal circuit boards.

INSTALLATION INSTRUCTIONS (CONTINUED)

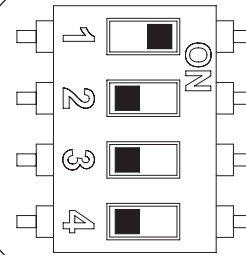
FIGURE 9 – Control Circuit Board with Dip Switches



LED D8



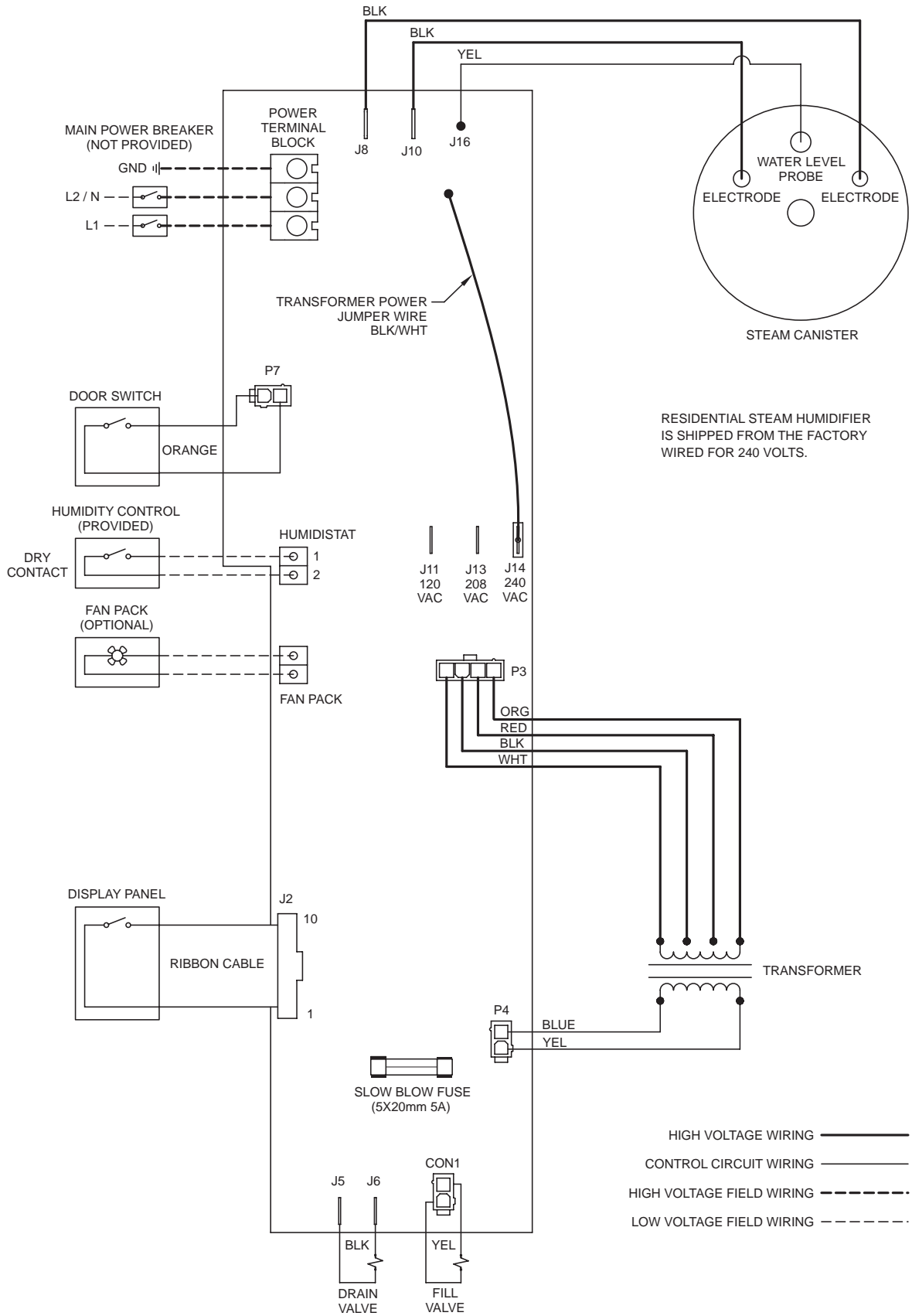
Factory setting for 11.5 AMP nominal operation.



Slide Dip Switch #1 to "ON" position for 16.0 AMP nominal operation.

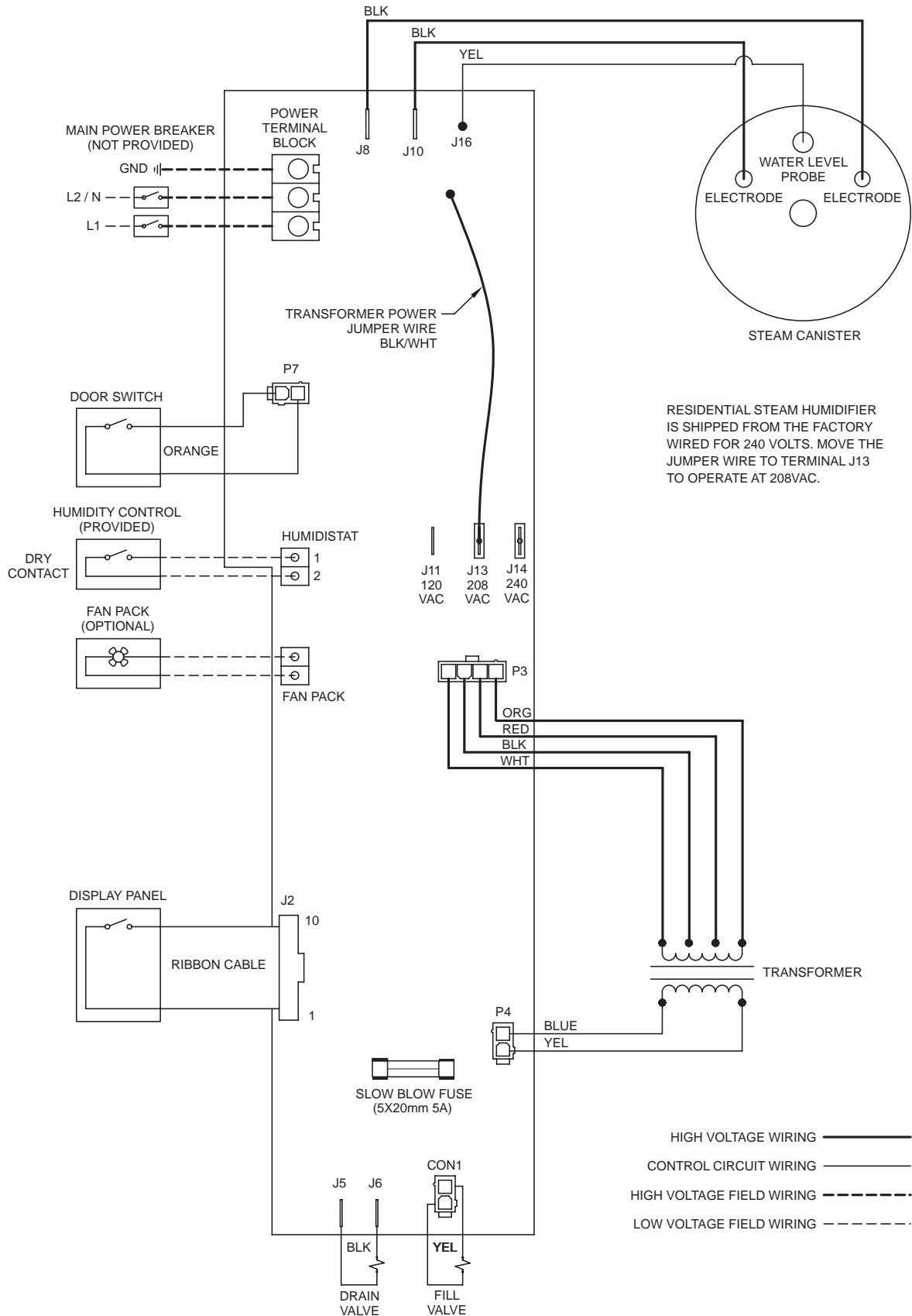
INSTALLATION INSTRUCTIONS (CONTINUED)

FIGURE 10 – 240 VAC Wiring Diagram



INSTALLATION INSTRUCTIONS (CONTINUED)

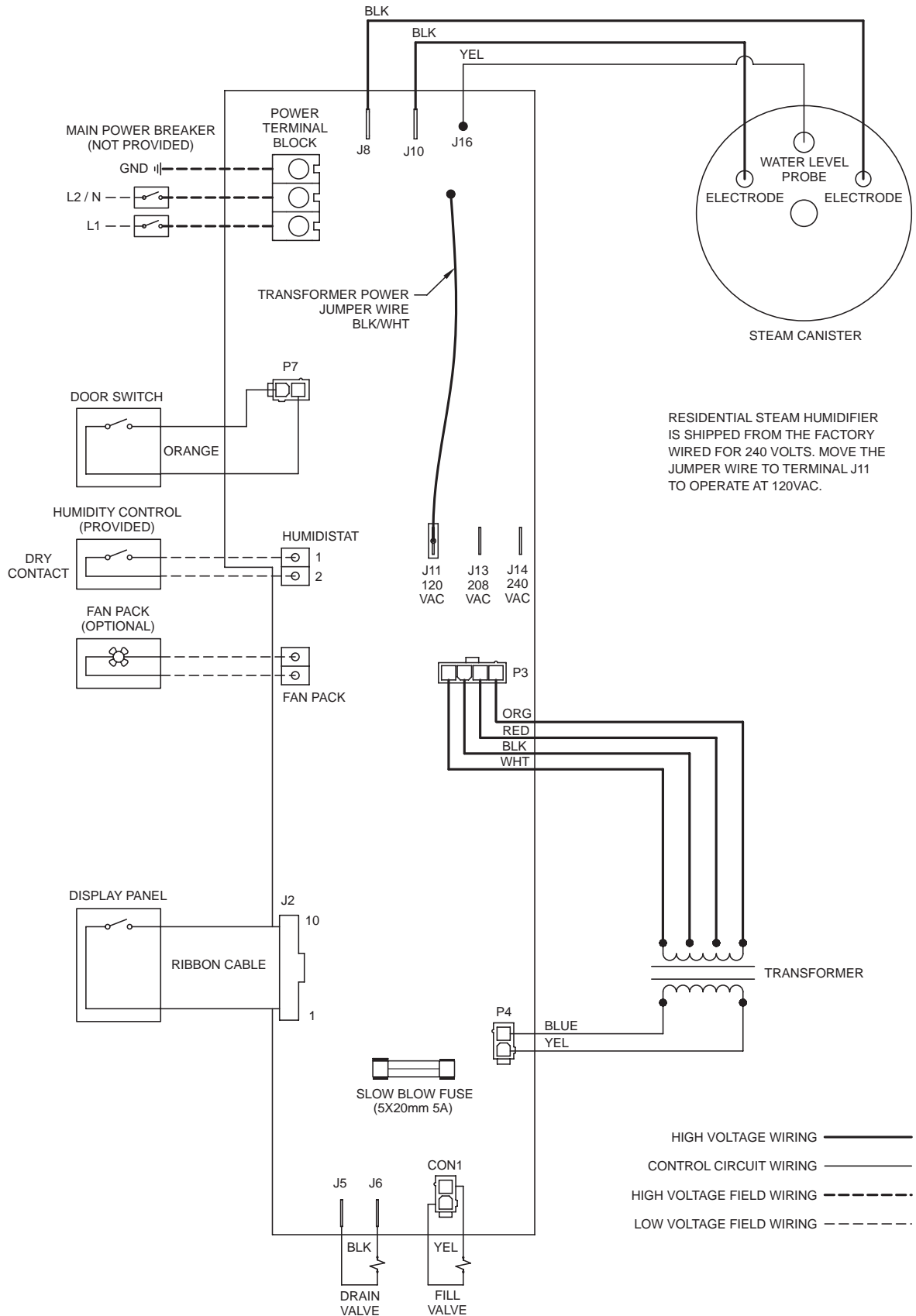
FIGURE 11 – 208 VAC Wiring Diagram



RESIDENTIAL STEAM HUMIDIFIER IS SHIPPED FROM THE FACTORY WIRED FOR 240 VOLTS. MOVE THE JUMPER WIRE TO TERMINAL J13 TO OPERATE AT 208VAC.

INSTALLATION INSTRUCTIONS (CONTINUED)

FIGURE 12 – 120 VAC Wiring Diagram



RESIDENTIAL STEAM HUMIDIFIER IS SHIPPED FROM THE FACTORY WIRED FOR 240 VOLTS. MOVE THE JUMPER WIRE TO TERMINAL J11 TO OPERATE AT 120VAC.

INSTALLATION INSTRUCTIONS (CONTINUED)

AUTOMATIC DIGITAL CONTROL AND ACCESSORY WIRING (MODEL 800)

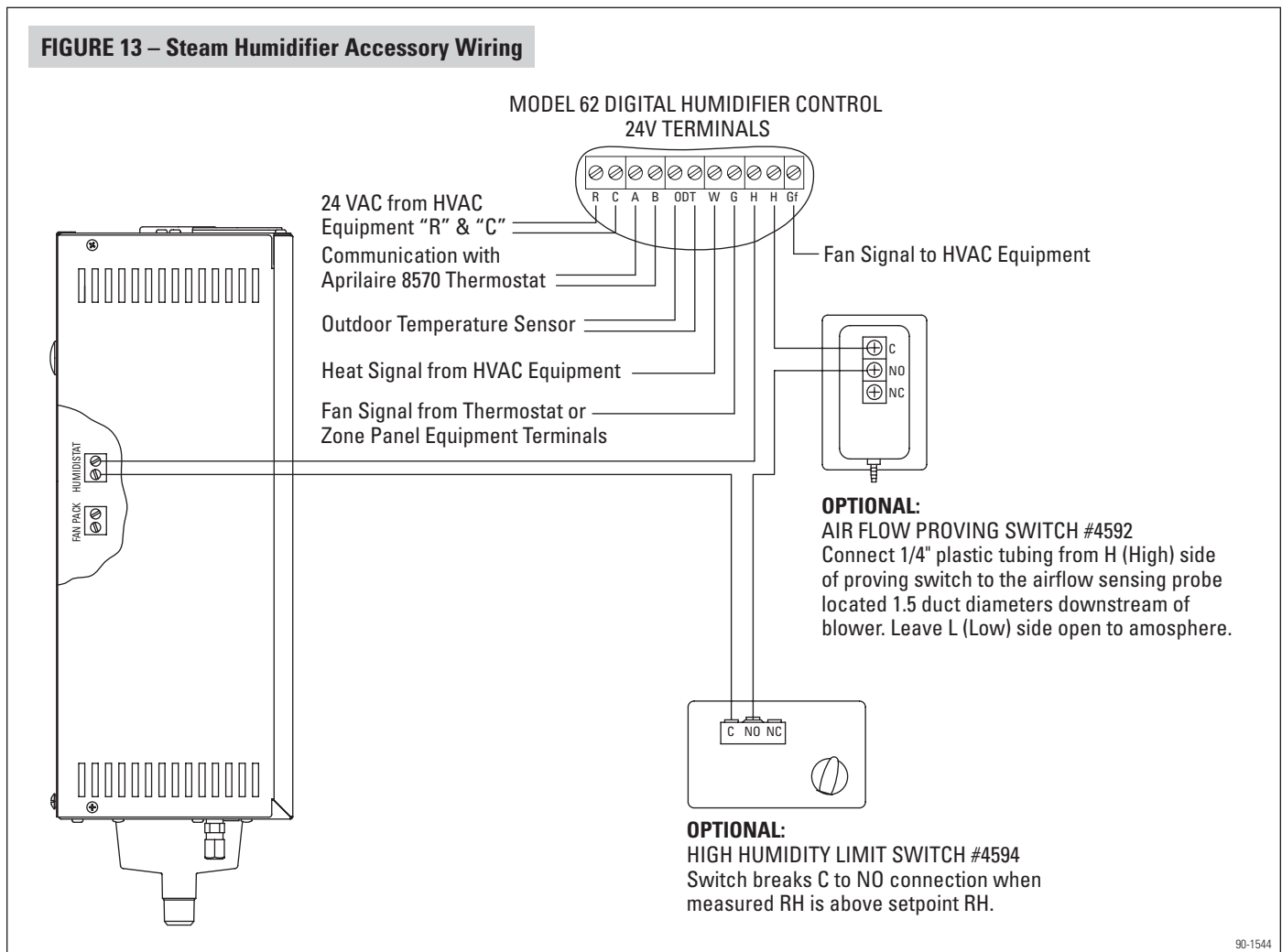
The control circuit operates on 24VAC.

The ADHC (Automatic Digital Humidifier Control) Model 62 must be mounted in the return air duct at least 6" upstream of any fresh air intake ducts or sources of moisture and at least 12" upstream of the steam dispersion tube if it is mounted in the return. Follow instructions provided with the control. Connect "H" terminals on ADHC to "HUMIDISTAT" terminals on humidifier circuit board. The "H" terminals on the Model 62 provide a dry contact switch to energize the humidifier.

If the application requires a wall-mounted humidistat in the conditioned space, use Manual Humidistat Part #4655, Digital Manual Humidistat Part #65, Automatic Digital Modulating Humidistat Part #63 or any Aprilaire thermostat with integrated humidifier control functionality. Use Blower Activation Relay Part #4851 with Aprilaire Manual and Digital Manual Humidistats in order to allow the humidifier to turn on the HVAC system blower when humidity is required.

If protection from over-humidification is desired, install optional high humidity limit switch Part #4594 at least 4 feet downstream of the dispersion tube. If airflow verification is desired, install optional airflow proving switch Part #4592 in duct. The high humidity limit switch and the airflow proving switch are wired in series with the ADHC (humidistat) circuit. See **Figure 13**.

FIGURE 13 – Steam Humidifier Accessory Wiring



90-1544

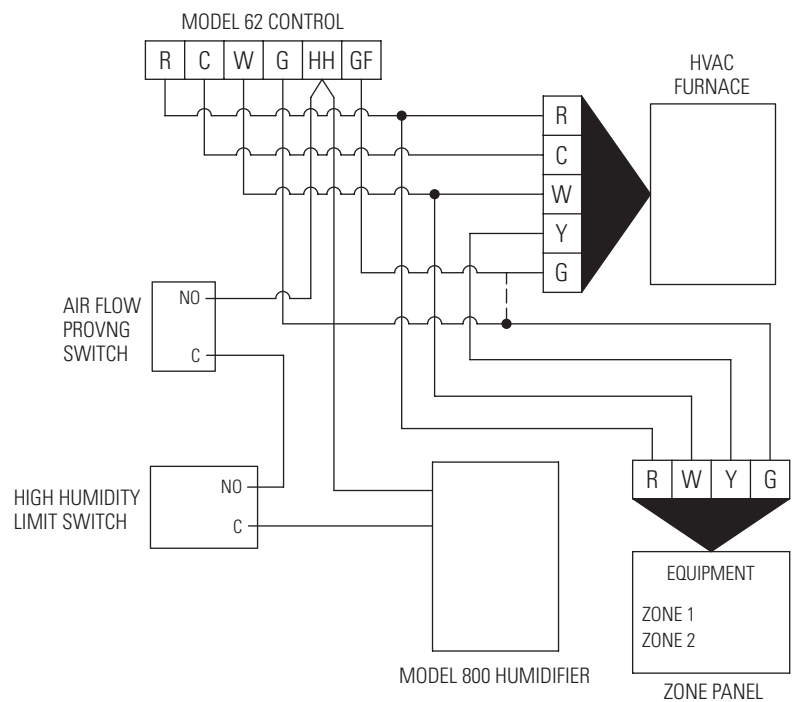
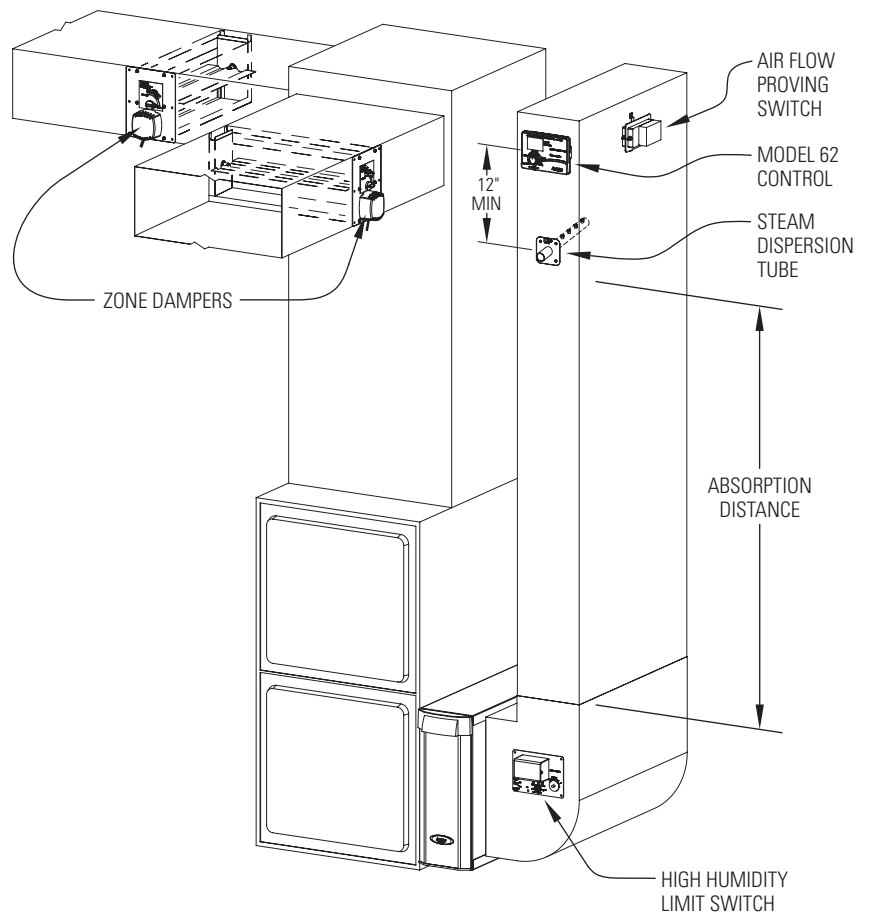
INSTALLATION INSTRUCTIONS (CONTINUED)

THERMOSTAT IN A ZONED HVAC SYSTEM

Mount the steam dispersion tube in the return duct. Each individual zone must be able to handle the full load from the steam humidifier without condensation issues. Mount the Model 62 ADHC and the air flow proving switch (recommended) upstream of the dispersion tube. A high humidity limit switch installed 4–5' downstream of the dispersion tube is recommended. Absorption distance must be calculated for the lowest air velocity (when all zones are calling) and when smallest zone is calling (bypass air can decrease the velocity in the return). Wire humidistat to the equipment terminals on the zone panel.

FIGURE 14 – Steam Humidifier Installed on a Zoned HVAC System

STEAM DISPERSION TUBE MOUNTED ON THE RETURN DUCT



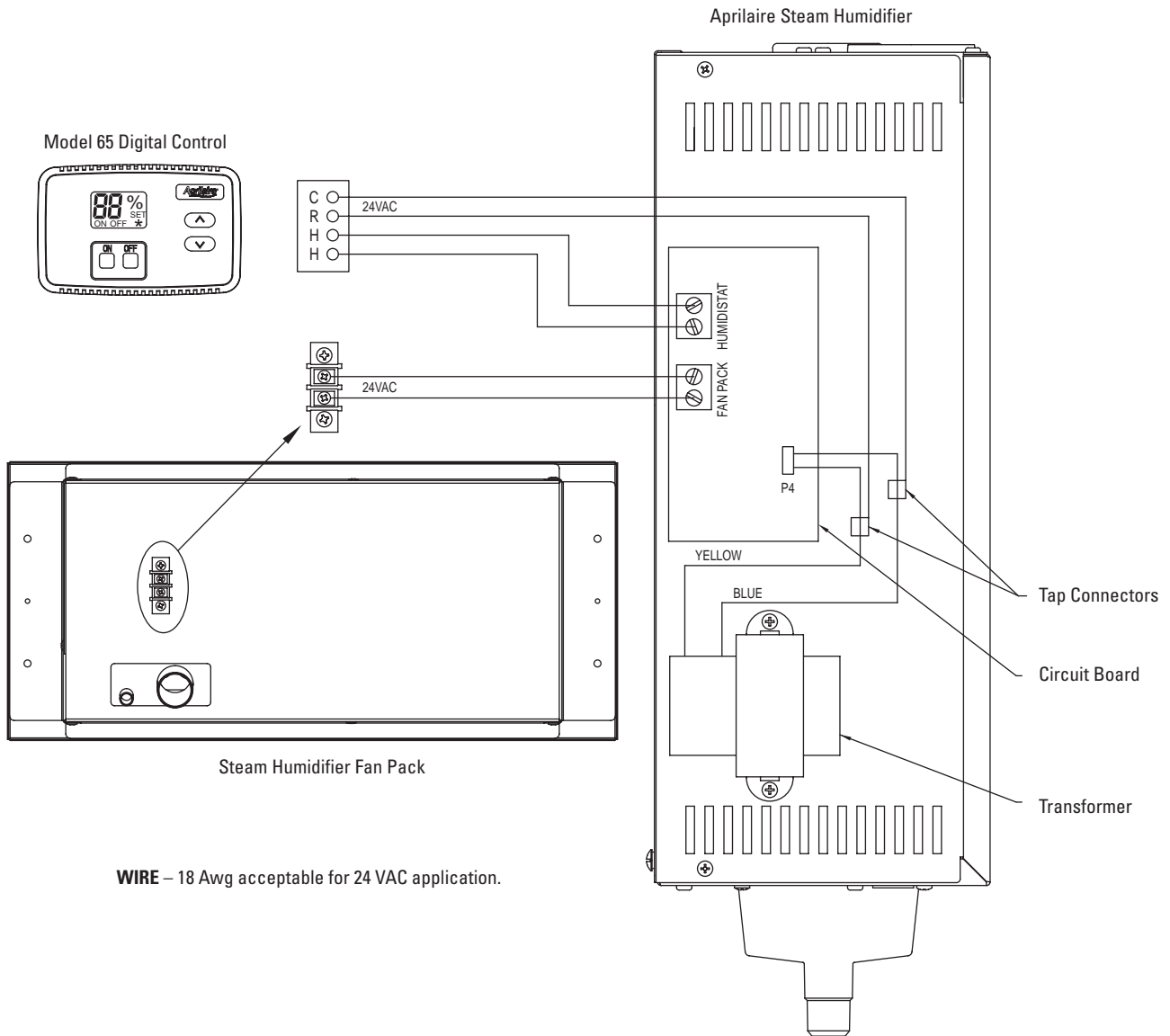
INSTALLATION INSTRUCTIONS (CONTINUED)

MANUAL DIGITAL HUMIDISTAT AND FAN PACK WIRING (MODEL 865)

Mount the Digital Manual Humidistat in the area to be humidified according to installation instructions included with control. Install the humidistat in the same room or area as the Fan Pack discharge, but at least ten feet away. Wire the Digital Manual Humidistat to the Steam Humidifier using standard 24 volt thermostat wire. See **Figure 15**.

Disconnect all power to Steam Humidifier before wiring the Fan Pack terminals to the FAN PACK terminals on the Steam Humidifier. Use standard 24 volt thermostat wire. See **Figure 15**.

FIGURE 15 – Wiring Diagram for Manual Humidistat and Fan Pack



90-1662

INSTALLATION INSTRUCTIONS (CONTINUED)

AUTOMATIC DIGITAL MODULATING CONTROL WIRING (MODEL 801 OR 866)

The Automatic Digital Humidifier Control (ADMC) that ships with Model 63 and Model 5558 must be mounted on an interior wall in the living space. Follow instructions provided with the control.

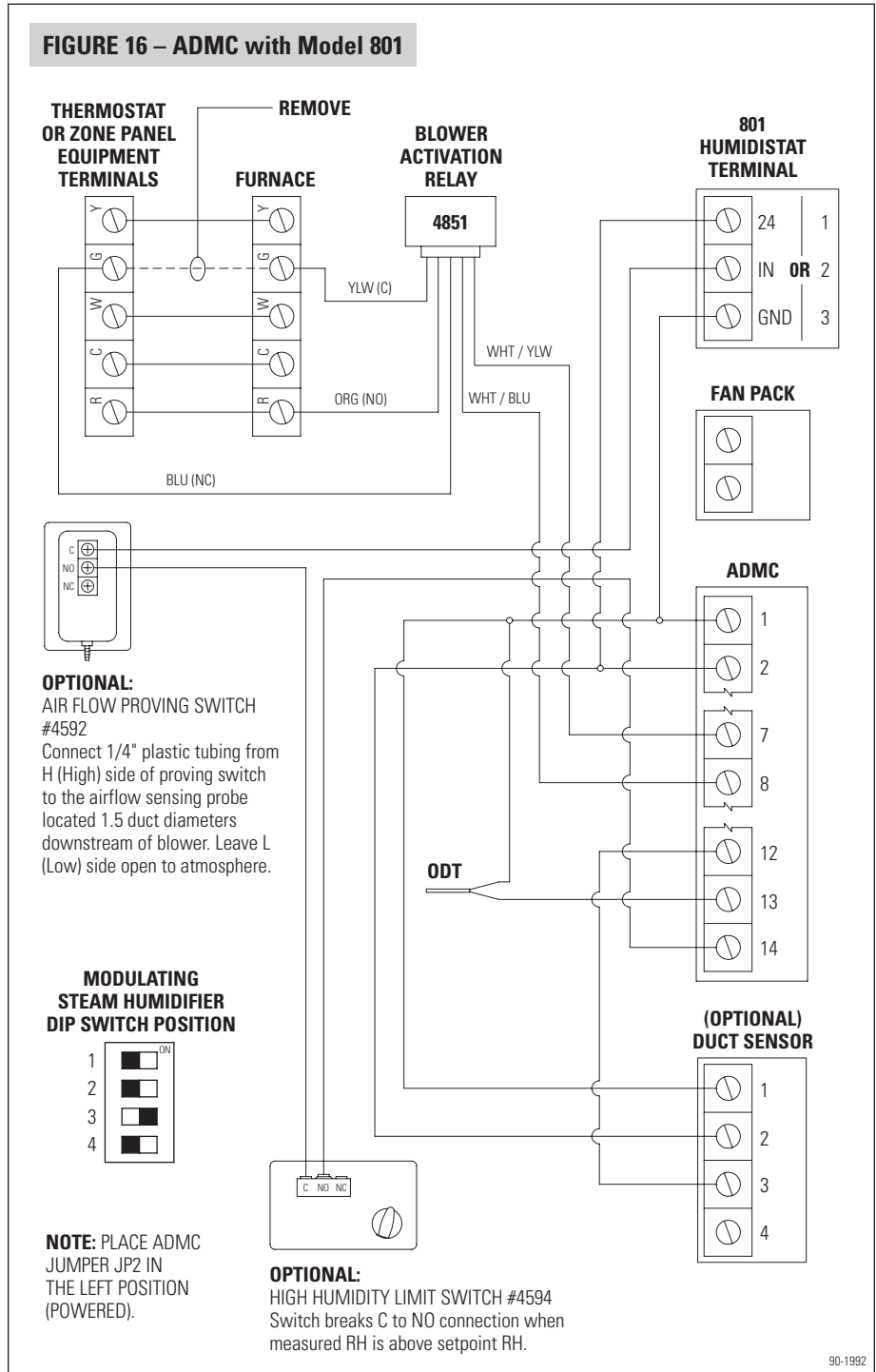
If the ADCM cannot be mounted in the living space, the duct humidity sensor can be used as the primary humidity sensor and the ADCM can be installed in a convenient location. Install the duct humidity sensor in the supply duct at least 6" upstream of any fresh air intake ducts or sources of moisture and at least 12" upstream of the steam dispersion tube. Configure the ADCM to use the duct sensor as primary humidity sensor. See **Program Mode** Step #17 in the ADCM installation manual.

If protection from over-humidification is desired, install the duct humidity sensor in the supply duct at least 4 feet downstream of the dispersion tube. Configure the ADCM to use the duct sensor as a high humidity limit sensor. See **Program Mode** Step #17 in the ADCM installation manual. The ADCM must be installed in the living space. See **Determine Location For Control** section of the ADCM installation manual.

If airflow verification is desired, install optional airflow proving switch Part #4592 in duct and wire in series with the ADCM humidistat circuit. See **Figure 16**.

Note: When installing with a thermostat in a zoned HVAC system, place the dispersion tube downstream of the damper in the largest zone to allow for optimal distribution. An airflow proving switch must be installed in the supply of the same trunk line to prevent condensation damage.

When wiring the humidistat to the zone board equipment terminals, the steam dispersion tube must be placed in the return to prevent condensation damage. Absorption distance and zone square footage should be sized appropriately for steam humidifier capacity.



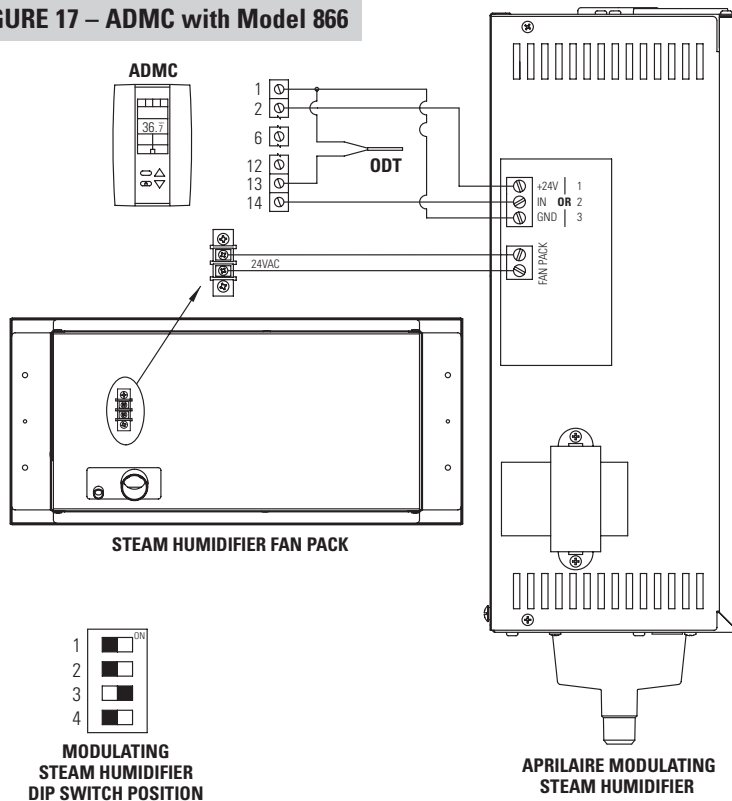
90-1992

INSTALLATION INSTRUCTIONS (CONTINUED)

When the Modulating Steam Humidifier is installed with the Fan Pack, wire the ADMC as shown in **Figure 17**.

The Aprilaire Automatic Digital Modulating Control is the recommended humidity controller for the Model 801 and Model 866 Modulating Steam Humidifier. However, the Modulating Steam Humidifier can accept a number of different control signals. If using a third party control, configure the Modulating Steam Humidifier internal controller for the third party control signal. See **Figure 18** for configuration options.

FIGURE 17 – ADMC with Model 866



WIRE – 18 AWG ACCEPTABLE FOR 24 VAC APPLICATION.

90-1995

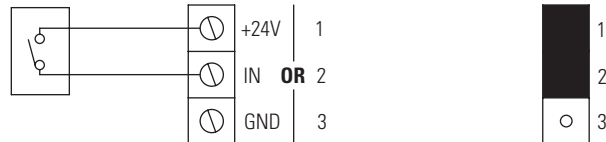
FIGURE 18 – Third Party Control Signals

CONTROL DIP SWITCH SETTINGS		
DIP2	DIP3	HUMIDISTAT SIGNAL TYPE
OFF	OFF	ON / OFF
ON	OFF	0-20 VDC
OFF	ON	0-10 VDC or 0-20 mA
ON	ON	2-10 VDC or 4-20 mA

ON / OFF

HUMIDISTAT

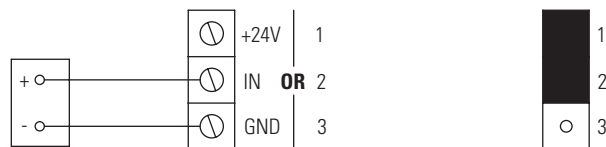
MODULATING STEAM HUMIDIFIER HUMIDISTAT TERMINAL



RECOMMEND USING BLOWER ACTIVATION RELAY PART # 4851

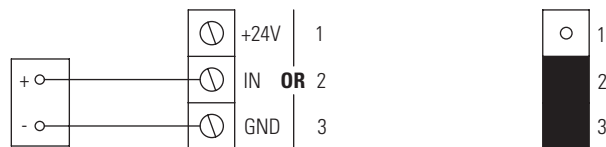
0-10 VDC, 0-20 VDC OR 2-10 VDC

MODULATING STEAM HUMIDIFIER HUMIDISTAT TERMINAL



0-20 MA OR 4-10 MA

MODULATING STEAM HUMIDIFIER HUMIDISTAT TERMINAL



90-1993

START-UP PROCEDURE

1. Once the supply water, drain, steam hose, electrical power and control wiring connections are complete, make sure canister is fully seated into drain valve and three wire connectors on top of canister are secure. (High water probe wire and two interchangeable electrode wires.)
2. Attach side panel and front door.
3. Open saddle valve allowing water to flow to humidifier. Check for leaks.
4. Turn Automatic Digital Control knob to OFF.
5. Close main power switch energizing humidifier.
6. Press On/Off button on humidifier. The On/Off light will illuminate green.
7. Make sure the HVAC blower is operating and adjust the ADHC dial up to initiate a call for humidity. If installed with a Fan Pack, turn On the Model 65 Digital Manual Humidistat. Adjust the humidity set point with the up and down arrows.

Note: The ADHC can be placed into TEST mode to force a call for humidity but this only lasts for one minute.

The Steam light will illuminate green indicating a call for humidity and the Fill light will illuminate green indicating the fill valve is open allowing the canister to fill. You should also hear the water flowing. **If water flows down drain while humidifier is filling, check for kinks or obstructions in the fill hose or fill cup and make sure the O-ring in the drain valve is properly seated in the groove and not damaged or deformed.**

8. Once the Fill light turns off, to verify that the humidifier will drain properly, press the On/Off button to turn humidifier off. You may hear the fill valve open allowing cold water to flow into the canister to cool the water in the canister. The Drain light will flash green for 15 seconds then turn green for four minutes while the canister drains. Once the Drain light turns off, the drain cycle is complete.
9. Set ADHC to proper level.
10. Press On/Off button to turn humidifier on.
11. If installed with a Fan Pack, ensure the Fan Pack fan operates.
12. Ensure the steam outlet of the Fan pack is not blocked.

CAUTION

The front of the Fan Pack will be hot. Steam may not always be visible.
Do not touch the front of the Fan Pack or place hand in front of the steam discharge manifold.

OPERATING MODES

When the humidifier is powered and turned on, the "On/Off" light is illuminated green.

During fill cycles, the "Fill" light illuminates green.

When the humidifier is turned on, any time the Humidifier Control sends a call for humidity, the Steam light illuminates green.

Any time the drain valve is activated, the "Drain" light illuminates green.

During initial start up with a new canister, the humidifier may run through a series of fill/drain cycles until the conductivity of the water is in a range that allows the humidifier to generate steam at the rated capacity. If the conductivity of the water is low, it may take a week or more for the humidifier to generate steam at the rated capacity. The rated capacity is achieved when the humidifier is detecting a nominal current of either 11.5 or 16.0 amps between the electrodes. If the humidifier has not reached capacity after 168 hours of operation, the Steam light will illuminate yellow on a call for humidity. The humidifier will continue to operate with a yellow Steam light, and may satisfy the humidity requirements. Once rated capacity is reached, the Steam light will illuminate green.

The internal controller adjusts water level in the canister to maintain the nominal current between the electrodes. As minerals build up on the electrodes, their effectiveness decreases, so the controller will increase the water level to submerge more of the electrode surface. When the water has reached the high level probe in the canister and the internal controller no longer detects nominal current, the Service light will flash red indicating that the canister needs to be replaced.

If the humidifier attempts to drain the canister and cannot, the drain and fill valves will pulse on & off for four seconds to dislodge minerals which may be blocking the drain valve ports. The Drain and Fill lights will flash on & off when this occurs.

Any time power is disconnected or humidifier is turned off, the internal timer for start-up and drain cycles is reset.

If the humidifier has operated 168 hours without a drain cycle, the drain valve will open and drain the canister. Normal operation will continue.

If the humidifier is operating and a power failure occurs, once power is restored, the "On/Off" light will flash green for one minute, then the humidifier will turn on.

END OF SEASON/PERIOD OF INACTIVITY SHUT-DOWN

The humidifier does not need to be turned off at the end of the humidification season. If 72 hours elapses without receiving a call for humidity, the canister will automatically drain. The Drain light will remain lit for 24 hours. This may also occur during periods of inactivity during the humidification season. The humidifier will resume normal operation when a call for humidity is made.

SHUT DOWN PROCEDURE

To turn humidifier off, push ON/OFF button once. Humidifier will begin its four-minute drain cycle. Fill valve will open to temper drain water. The Drain light will flash green for 15 seconds then turn green for four minutes while the canister drains. Once the Drain light turns off, the drain cycle is complete and the humidifier is off.

DISPLAY PANEL






Green lights indicate normal operation.

Yellow Steam light indicates humidifier is operating at less than rated capacity.

Flashing red Service light indicates canister is near the end of its life and should be replaced if the humidity in the space cannot be maintained.

Solid red lights indicate humidifier has shut down and requires service.

Disconnecting power to humidifier resets internal timers.

Indicator	Light	Function
 On/Off	Off	Humidifier is turned off or power is disconnected.
	Solid green	Humidifier is turned on.
	Flashing Green	Humidifier is preparing to turn on. Occurs if power to humidifier was turned off when humidifier was on. Humidifier turns on after light flashes for one minute.
 Fill	Off	Fill valve not energized.
	Solid Green	Fill valve is energized, filling or replenishing canister with water. (During drain cycle when fill valve is open allowing cold water into canister to temper drain water, the fill light does not illuminate.)
	Flashing Green	Fill and Drain Valves are pulsing to dislodge mineral deposits from drain. Flashes 10 times in 4 seconds. Occurs if high water probe detects water during drain cycle.
	Solid Red	Humidifier cannot fill canister. Humidifier stops operating. Occurs after fill valve has been energized for 40 minutes and high water probe does not detect water.
 Steam	Off	Humidifier is not producing steam
	Solid Green	Humidifier is turned on and receiving a call for humidity from the control.
	Solid Yellow	Humidifier is producing steam but at less than the rated capacity. Occurs if humidifier has operated for 168 hours and has not reached nominal current.
 Drain	Off	Drain valve not energized.
	Solid Green	Drain valve is energized, allowing water to drain from canister.
	Flashing Green	Humidifier is preparing to drain. Flashes for 15 seconds indicating fill valve is open allowing cold water into canister.
 Service	Flashing Red	Canister has reached end of life. Humidifier continues to operate but at reduced capacity. Occurs after humidifier has operated for 168 hours plus another 24 hours at less than 75% of the maximum operating current level between electrodes.
	Solid Red	Humidifier is not operating and requires service.

MAINTENANCE

NOTICE

- Allow humidifier to drain and disconnect power before servicing.
- Service should be performed by a qualified HVAC technician.

Inspect humidifier when servicing.

- Check for loose electrode connections on the canister. Replace electrode wires if connection is loose.
- Check system operation and inspect all plumbing connections and piping for signs of cracks or leaks.
- Inspect drain line to make sure it is not blocked and has constant downward slope. Clean or replace if necessary.
- Inspect steam hose to make sure it has no low spots and has constant upward slope from humidifier to dispersion tube in duct. If dispersion tube is mounted below humidifier, inspect drip tee and drain.

TO REPLACE THE CANISTER

1. Turn humidifier off.
2. Unit will go through drain cycle – 4 mins – and turn off when complete.
3. Disconnect main electrical power to humidifier at the circuit breaker.
4. Allow the unit to cool.
5. Remove front door.
6. Remove electrode wires, high water probe wire, steam hose and canister.
7. Remove O-ring from groove in drain assembly using a small screw driver.
8. Insect drain assembly and remove any debris – see TO CLEAN THE DRAIN VALVE.
9. Insert new O-ring into groove in drain assembly. (O-ring is provided with Model 80 canister.) Dampen O-ring with water before inserting canister. Do not use oil, grease, or any lubricant besides water.
10. Make sure strainer is inserted into bottom of new canister.
11. Insert canister into drain assembly. Position canister with label facing outward.
12. Reconnect steam hose and wires ensuring wires are fully seated.
13. Replace front door.
14. Restore electrical power to humidifier.
15. Turn humidifier On and verify green On/Off light is illuminated.
16. See Start-up procedure.
17. Check for leaks.

TO CLEAN THE DRAIN VALVE

1. Turn humidifier off.
2. Unit will go through drain cycle – 4 mins – and turn off when complete.
3. Disconnect main electrical power to humidifier at the circuit breaker.
4. Allow the unit to cool.
5. Remove front door.
6. Remove electrode wires, high water probe wire, steam hose and canister.
7. With your finger swirl the fluid/precipitate mixture in the bottom of the drain valve reservoir.
8. Using a sponge or paper towels soak up the water in the reservoir, if necessary use a wet/dry vacuum to remove residue.
9. Clean the inside of the drain port (where coil projects out) by gently swabbing with a bent cotton swab or other soft implement.
10. Rinse the drain valve reservoir with clean water and vacuum as necessary.
11. Replace canister, reconnect steam hose and wires ensuring wires are fully seated.
12. Replace front door.
13. Restore electrical power to humidifier.
14. Turn humidifier On and verify green On/Off light is illuminated.
15. See Start-up procedure.
16. Check for leaks.

TO SERVICE THE FILL VALVE

If water flow from the valve is restricted, disconnect the inlet fitting and remove in line strainer from the inlet port using a small screw. Clean or replace strainer (Part #4004).

TROUBLESHOOTING GUIDE

CAUTION

Contact with electrical circuits can cause property damage, personal injury or death. Service and Troubleshooting must be performed by qualified electrician.

The following troubleshooting guide is intended to help diagnose and resolve general operational problems with the Steam Humidifier and optional Fan Pack. If a problem persists, call Aprilaire Tech Support toll-free at 1-800-334-6011. Please be prepared to describe the exact nature of the problem. For general operational problems, check to make sure humidifier is installed correctly.

TABLE 6 – Humidifier Troubleshooting Guide

Problem	Possible Cause	Action
General operating problems. Humidifier will not turn on or turn off.	Field-wired terminal connections.	Verify L1, N/L2 and ground connections are properly wired and appropriate voltage is present.
		Check HUMIDISTAT and (if used) FAN PACK terminal connections are tight and properly wired.
		HUMIDISTAT terminals must be connected to an on/off device.
		Check wiring connections and settings on Accessory items such as high limit switch and airflow proving switch.
	Internal connections.	Check electrode and high water probe connections on the top of the canister.
		Make sure ribbon cable from membrane switch is securely plugged into control circuit board.
		Make sure black/white wire is attached to terminal that matches input voltage.
	No power to humidifier.	Check main power supply and switch.
		Ensure breaker is sized appropriately for the amperage draw.
		Check for proper voltage across L1 and N/L2 terminals.
	Humidifier not turned on.	Make sure front cover is attached to engage safety interlock switch. Press On/Off button.
		Make sure ribbon cable from membrane switch is not damaged and is securely plugged into the control circuit board.
No power to 24 volt control circuit.	Check fuse on PCB (replace with 5 amp slow burn fuse if necessary).	
	With humidifier energized, check that LED light D8 is energized on the circuit board. If the LED is lit, replace the membrane switch, if not, replace the circuit board.	
Steam Light does not turn on.	Call for humidity not being received.	Check humidistat wiring and setting. (Do not leave ADHC in TEST mode.)
		Check wiring and settings of high RH limit switch and airflow proving switch.
Water is leaking from humidifier.	Loose plumbing connections.	Check water supply connection at fill valve inlet. Tighten as needed.
		Check internal hose clamp connections. Reposition clamps and tighten as needed.
		Check steam hose connection on top of canister. Tighten clamp as needed.
	Hoses are blocked.	Check internal hoses and eliminate kinks or blockage.
Drain hose is blocked.	Make sure drain hose has constant downward slope and is not blocked.	
Water constantly runs down drain.	Debris in drain valve preventing it from closing.	Remove canister and clean debris from drain valve.
	O-ring in drain valve is not properly seated in groove.	Remove canister and check O-ring for damage. Replace O-ring as necessary. Ensure O-ring is properly seated in its groove.
	Water is flowing from fill cup overflow port.	Check internal hoses and eliminate kinks or blockage.
	High static pressure in duct is causing back pressure in canister.	Make sure dispersion tube is not discharging into duct with greater than 2.0 in.wg static pressure.
Make sure dispersion tube tubelets are pointed up.		
Humidifier is filling and water is flowing down drain but drain light is not on.	High static pressure in steam line is causing back pressure in canister.	Install a tee and drain trap in any low points in the steam line. See Figure 5 .

TROUBLESHOOTING GUIDE (CONTINUED)

TABLE 6 – Troubleshooting Guide (continued)		
Problem	Possible Cause	Action
Humidifier makes gurgling sound.	Excess condensation in steam hose.	Install Tee and Trap Model 4028 as shown in Figure 6 .
		Make sure steam hose has constant downward slope to humidifier or to tees and traps in low spots of hose.
		If hard pipe is used for dispersion system, make sure it is insulated.
Fill valve makes banging sound.	Water hammer from line pressure.	Make sure water supply line does not contact ductwork.
		Install shock arrestor.
		Install section of 1/4" braided fill line. Conform to local codes.
		If water supply pressure is greater than 120 psi, install pressure reducer.
Humidifier will not fill.	Saddle valve not open or pipe not pierced.	Make sure saddle valve is properly installed and the valve is open.
	Hoses are blocked.	Check internal hoses and eliminate kinks or blockage.
Humidifier will not drain.	Debris in drain valve blocking outlet port.	Remove canister and clean debris from drain valve.
Water in duct.	Dispersion tube installed incorrectly.	Install dispersion tube with tubelets facing straight up.
	Impurities in steam hose or pipe causing foaming.	Rinse canister, fill hose and fill cup with clean water.
	Insufficient absorption distance.	Determine absorption distance per Table 3 .
Service light flashing red before end of humidification season.	Canister full of mineral deposits.	Remove canister and rinse with clean water.
		Plumb humidifier to filtered water.
		Plumb humidifier to softened water.
	Humidifier runs in short cycles (does not reach capacity).	Use blower activation feature on ADHC or run constant HVAC fan. Allowing the humidifier to run for longer cycles to concentrate minerals and increase water conductivity.
Yellow steam light.	Humidifier operating below rated capacity. (Normal operation for systems plumbed to low conductivity water and systems that operate for short cycles.)	Plumb humidifier to softened water.
		Use blower activation feature on ADHC or run constant HVAC fan.
		Operate humidifier on 208/240 volts.
		To determine operating current, attach clamp-on ammeter to one of the electrode wires on top of canister.
		Dissolve one teaspoon of salt into one cup of hot water. Add to the fill cup in 1/4 cup increments until unit operates properly. Yellow steam light will clear after first fill valve cycle at nominal amperage operation. Do not over salt. System will drain and refill with clean water due to over current fault.
Humidifier is not satisfying demand.	Control setting is too low.	Adjust control to higher setting.
	Control mounted in wrong location.	See Installation Instructions with control for correct mounting location.
	Short run times.	Use blower activation feature on ADHC or run constant HVAC fan.
	Humidifier capacity limited by input power (120V).	Operate humidifier on 208/240 volts.
		Increase capacity to 16.0 amps. Make sure breaker is appropriately sized.
Excess humidity.	Control setting is too high.	Adjust control to lower setting.
	Control mounted in wrong location.	See Installation Instructions with control for correct mounting location.
Solid red fill light.	Fill valve has been filling for 40 minutes.	Make sure high water pin wire is securely installed.
	Low spot in steam hose collecting water.	Support steam hose along its length ensuring 2" per foot slope from the dispersion tube to the humidifier.
	High static pressure in the duct is causing back pressure in the duct.	Make sure dispersion tube is not discharging into a duct with greater than 2.0 in.wg. static pressure.
		Make sure dispersion tube tubelets are pointed up.
Solid red service light.	Unit senses current 120% above nominal and cannot lower amperage after three drain cycles.	Rinse canister to remove mineral deposits or install a new canister.

TROUBLESHOOTING GUIDE (CONTINUED)

TABLE 7 – Fan Pack Troubleshooting Guide

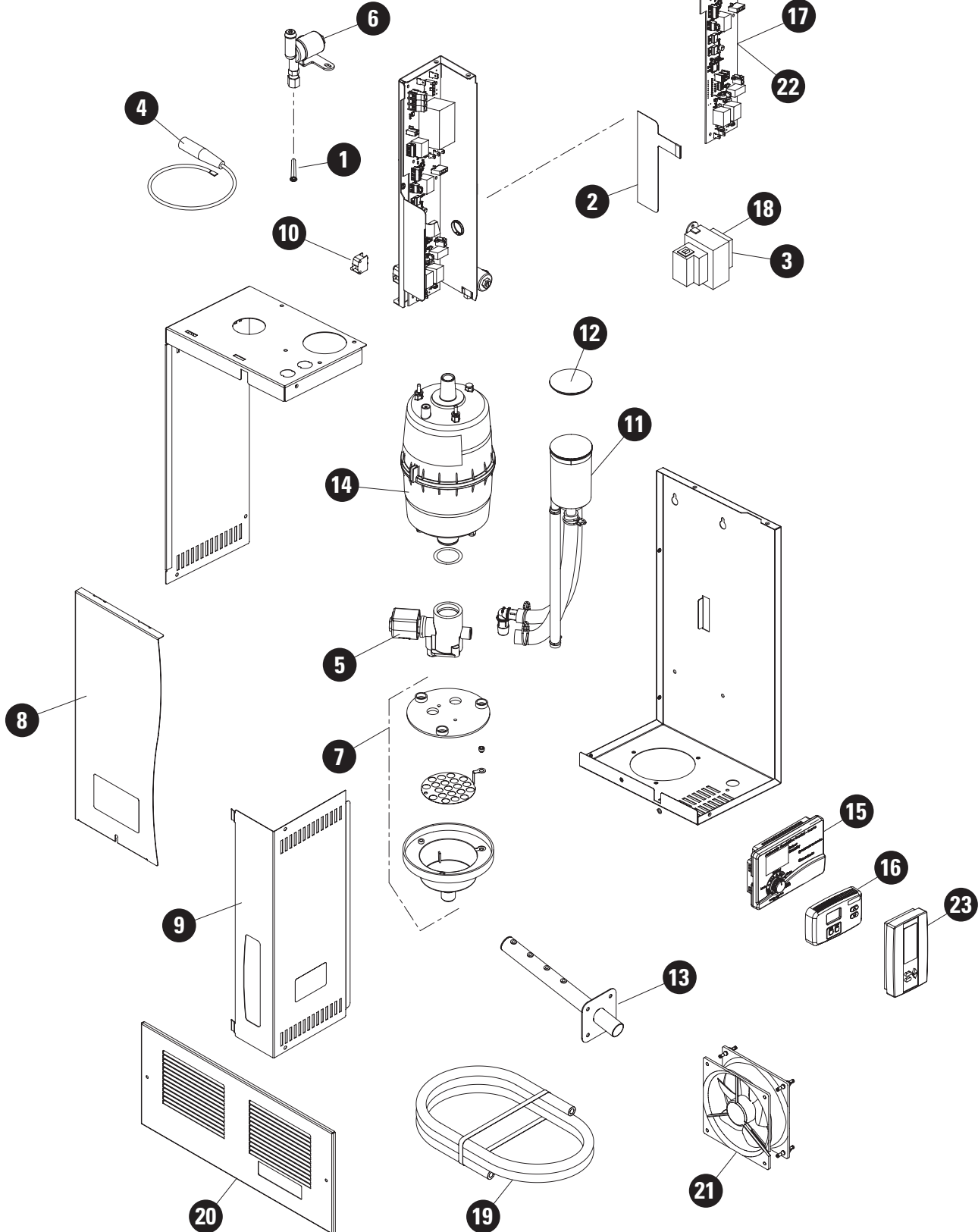
Problem	Possible cause	Action
Water dripping from Fan Pack.	Tubing connection.	Check all connections.
	Fan not operating.	See “Fan does not operate”.
	Steam outlets blocked.	Clean steam dispersion manifold outlet.
	Foaming in canister or steam hose.	Rinse components with clean water.
Fan does not operate.	Wiring.	Check wiring.
	Steam Humidifier power.	Check that Steam Humidifier is powered and on.
	No humidity call.	Adjust humidistat setting. Check location of humidistat.
	Circuit board output.	Confirm 24 VAC output from Steam Humidifier FAN PACK terminals during a call for humidity.
	Motor failure.	Replace fan motor.
Noise.	Fan noise.	Check for obstructions or damage to fan.
	Gurgling.	Add a drip tee and trap (PN 4028) to the steam line as close to the Steam Humidifier as possible to divert condensation to drain. See Figure 6 .

REPLACEMENT PARTS

Parts are shown for Model 800/865 humidifiers manufactured after November 2014.

For parts for steam humidifiers manufactured prior to November 2014, refer to Aprilaire Humidifier Replacement Parts & Price List.

Refer to the following page for part descriptions.



REPLACEMENT PARTS (CONTINUED)

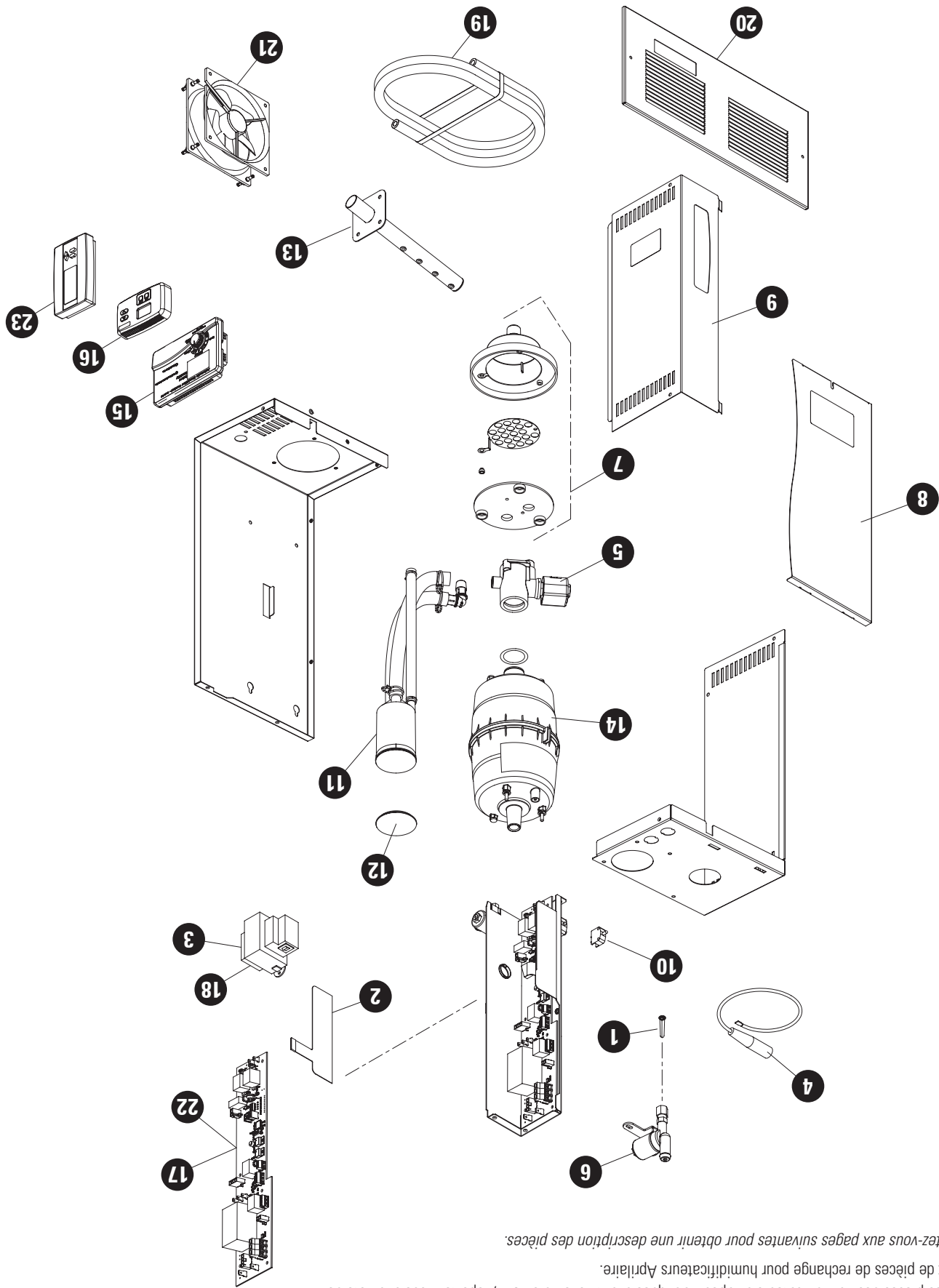
Item No.	Part No.	Description
1	4004	Fill Valve In-line Strainer
2	5532	Membrane Switch
3	5306	Universal Transformer, Model 865, 866 (75 VA)
4	4978	Electrode Wire (1)
5	4983	Drain Valve
6	5531	Fill Valve
7	4985	Drain Cup Assembly
8	4986	Front Panel & Screw
9	4987	Electrical Access Panel & Screws
10	4988	Safety Interlock Switch
11	5590	Fill Cup and Hoses
12	4990	Fill Cup Cap
13	4991	Steam Dispersion Tube & Screws
14	80	Steam Canister and O-Ring
15	62	Automatic Digital Control for Model 800
16	65	Digital Manual Humidistat

Item No.	Part No.	Description
17	5530	Control Board, Model 800, 865
18	5529	Universal Transformer, Model 800, 801 (40 VA)
19	4997	Condensate Tubing with Wire Ties
20	4998	Fan Pack Grille
21	4999	Fan Pack Fan
22	5554	Modulating Control Board, Model 801, 866
23	63	Automatic Digital Modulating Control (ADMC) for Model 801/866
	4001	Saddle Valve
	4028	Drain Trap & Tee
	4592	Airflow Proving Switch
	4594	High Humidity Limit Switch
	4851	Blower Activation Relay (Optional for use with manual humidistats)
	4856	Condensate Pump (Rated for 160°F)
	4973	Steam Hose (6 ft.) & Clamps
	4974	Drain Hose (10 ft.) & Clamps

Description	N° de pièce	Article n°
Carte de circuits imprimés, modèle 800, 865	5530	17
Transformateur universel, modèle 800, 801 (40 VA)	5529	18
Tuyau à condensat avec attache-câbles	4997	19
Grille du bloc ventilateur	4998	20
Ventilateur du bloc ventilateur	4999	21
Carte de circuits imprimés modulante, modèle 801, 866	5554	22
Commande modulante numérique automatique (CMNA) pour le modèle 801/866	63	23
Robinet-valve à évier	4001	
Siphon et té d'écoulement	4028	
Interrupteur de vérification du flux d'air	4592	
Interrupteur de limite supérieure d'humidité	4594	
Relais d'activation du ventilateur (en option pour utilisation avec les humidostats manuels)	4851	
Pompe de condensat (qualifiée pour 71 °C)	4856	
Boyaux à vapeur (1,8 m) et brides	4973	
Boyaux d'évacuation (3,6 m) et brides	4974	

Description	N° de pièce	Article n°
Crépine en ligne du robinet de remplissage	4004	1
Interrupteur de membrane	5532	2
Transformateur universel, modèle 865, 866 (75 VA)	5306	3
Fil d'électrode (1)	4978	4
Robinet de purge	4983	5
Robinet de remplissage	5531	6
Assemblage du godet d'évacuation	4985	7
Panneau avant et vis	4986	8
Panneau d'accès électrique et vis	4987	9
Interrupteur de sécurité	4988	10
Godet de remplissage et boyaux	5590	11
Capuchon du godet de remplissage	4990	12
Tube de dispersion de vapeur et vis	4991	13
Cartouche de vapeur et joint torique	80	14
Contrôle automatique numérique pour le modèle 800	62	15
Humidostat manuel numérique	65	16

1961-06



Reportez-vous aux pages suivantes pour obtenir une description des pièces.

Pour les pièces de rechange pour humidificateurs Aprilaire.

Pour les pièces des humidificateurs à vapeur fabriqués avant novembre 2014, reportez-vous à la liste de

Les pièces sont montées pour les humidificateurs modèle 800/865 fabriqués après novembre 2014.

PIÈCES DE RECHANGE

TABLAU 7 – Guide de dépannage du bloc ventilateur

Problème	Cause possible	Action
De l'eau s'écoule du bloc ventilateur.	Raccord de tuyau.	Inspectez tous les raccords.
Le ventilateur ne fonctionne pas.	Sorties de vapeur bloquées.	Nettoyez la sortie du collecteur de dispersion de vapeur.
	Formation de mousse dans la cartouche ou le boyau à vapeur.	Rincez les composants à l'eau claire.
Le ventilateur ne fonctionne pas.	Cablage.	Inspectez le câblage.
	Alimentation de l'humidificateur à vapeur.	Assurez-vous que l'humidificateur à vapeur est alimenté et en marche.
	Pas de demande d'humidité.	Réglez le paramètre de l'humidostat. Vérifiez l'emplacement de l'humidostat.
	Sortie de la carte de circuits imprimés.	Confirmez une sortie de 24 volts CA des bornes du BLOC VENTILATEUR de l'humidificateur à vapeur pendant une demande d'humidité.
Le ventilateur ne fonctionne pas.	Panne de moteur.	Remplacez le moteur du ventilateur.
	Bruit provenant du ventilateur.	Assurez-vous que le ventilateur n'est pas obstrué ou endommagé.
Bruit.	Gargouillement.	Ajoutez un té d'écoulement avec un siphon (NP 4028) à la conduite de vapeur aussi près de l'humidificateur à vapeur que possible pour faire dévier la condensation vers le drain. Reportez-vous à la Figure 6 .

TABLEAU 6 – Guide de dépannage de l'humidificateur (suite)		
Problème	Cause possible	Action
L'humidificateur émet un gargouillement.	Condensation excessive dans le boyau à vapeur.	Installez le té et le siphon modèle 4028 comme il est illustré à la Figure 6 .
L'humidificateur émet des cliquements.	Coup de bélier de la pression de conduite.	Assurez-vous que la conduite d'alimentation en eau n'entre pas en contact avec le réseau de gaines. Installez un amortisseur. Installez une section de conduite de remplissage tressée de 5 mm. Conformez-vous aux codes locaux. Si la pression d'alimentation d'eau est supérieure à 8,3 bars, installez un réducteur de pression.
L'humidificateur ne se remplit pas.	Le robinet-valve n'est pas percé.	Assurez-vous que le robinet-valve est bien installé et que le robinet est ouvert.
L'humidificateur ne se vide pas.	Les boyaux sont bloqués.	Vérifiez les boyaux internes et éliminez les tortillements ou le blocage.
L'humidificateur ne se vide pas.	Des débris dans le robinet de purge bloquent l'orifice de sortie.	Retirez la cartouche et éliminez les débris du robinet de purge.
Il y a de l'eau dans le conduit.	Le tube de dispersion est mal installé. Des impuretés dans le boyau à vapeur ou le tuyau causent de la mousse.	Installez le tube de dispersion avec les petits tubes orientés directement vers le haut. Rincez la cartouche, le boyau et le godet de remplissage avec de l'eau propre.
Le voyant Service cliquite en rouge avant la fin de la saison d'humidification.	La cartouche est remplie de dépôts minéraux.	Retirez la cartouche et rincez-la avec de l'eau propre. Retirez l'humidificateur à de l'eau filtrée. Retirez l'humidificateur à de l'eau adoucie.
Le voyant Steam (vapeur) jaune.	L'humidificateur fonctionne en dessous de sa capacité nominale. (Fonctionnement normal pour les systèmes reliés à de l'eau à faible conductivité et les systèmes qui fonctionnent pendant des cycles courts.)	Utilisez la fonction d'activation du ventilateur du CANH ou faites fonctionner le ventilateur CVC en continu. Faites fonctionner l'humidificateur sur 208/240 volts.
Le voyant Steam (vapeur) jaune.	L'humidificateur fonctionne en dessous de sa capacité nominale. (Fonctionnement normal pour les systèmes reliés à de l'eau à faible conductivité et les systèmes qui fonctionnent pendant des cycles courts.)	Pour déterminer le courant de fonctionnement, reliez un ampèremètre à pince sur l'un des fils d'électrode sur la partie supérieure de la cartouche. Faites dissoudre 5 ml de sel dans 235 ml d'eau chaude. Ajoutez au godet de remplissage dans des increments d'un quart jusqu'à ce que l'unité fonctionne correctement. Le voyant Steam (vapeur) jaune s'éteindra après le premier cycle du robinet de remplissage lors du fonctionnement à l'intensité nominale. Ne saiez pas trop. Le système se videra et se remplira d'eau propre en raison de la surintensité.
L'humidificateur ne répond pas à la demande.	Le réglage du contrôle est trop bas.	Réglez le contrôle à un réglage plus élevé.
L'humidificateur ne répond pas à la demande.	Le contrôle est installé au mauvais endroit.	Reportez-vous aux directives d'installation du contrôle pour connaître l'emplacement de montage approprié.
L'humidificateur ne répond pas à la demande.	Courts temps d'exécution.	Utilisez la fonction d'activation du ventilateur du CANH ou faites fonctionner le ventilateur CVC en continu.
L'humidificateur ne répond pas à la demande.	La capacité de l'humidificateur est limitée par la puissance d'entrée (120 volts).	Faites fonctionner l'humidificateur sur 208/240 volts.
L'humidificateur ne répond pas à la demande.	Le réglage du contrôle est trop élevé.	Réglez le contrôle à un réglage plus bas.
Excédent d'humidité.	Le contrôle est installé au mauvais endroit.	Reportez-vous aux directives d'installation du contrôle pour connaître l'emplacement de montage approprié.
Voyant de remplissage en rouge continu.	Le robinet de remplissage fonctionne depuis 40 minutes.	Assurez-vous que le fil à goupille de niveau d'eau élevé est correctement installé.
Voyant de service en rouge continu.	Une zone creuse dans le boyau à vapeur recueille de l'eau. La pression statique élevée dans le conduit est causée par de la surpression dans le conduit. Assurez-vous que les petits tubes de dispersion sont orientés vers le haut.	Soutenez le boyau de vapeur sur sa longueur pour obtenir une pente de 5 cm par 30 cm depuis le tube de dispersion jusqu'à l'humidificateur. Assurez-vous que le tube de dispersion ne se déverse pas dans un conduit dont la pression statique est supérieure à 0,5 kPa.
Voyant de service en rouge continu.	L'unité a capté le courant à 120 % au-dessus de la capacité nominale et ne peut pas réduire l'intensité après trois cycles de purge.	Rincez la cartouche pour éliminer les dépôts de minéraux ou installez une nouvelle cartouche.



Le contact avec les circuits électriques peut causer des dommages matériels, des blessures ou la mort. Le service et le dépannage doivent être effectués par un électricien qualifié.

Le guide de dépannage suivant est conçu pour aider à diagnostiquer et résoudre les problèmes de fonctionnement généraux avec l'humidificateur à vapeur et le bloc ventilateur en option. Si un problème persiste, communiquez avec le service technique d'Aprilaire en composant gratuitement le 1-800-334-6011. Soyez prêt à décrire la nature exacte du problème. Pour les problèmes de fonctionnement généraux, assurez-vous que l'humidificateur est installé correctement.

TABLAU 6 – Guide de dépannage de l'humidificateur

Problème	Cause possible	Action
Problèmes généraux de fonctionnement de l'humidificateur ne se met pas en marche ou ne s'arrête pas.	Connexions de la borne câblée sur le terrain.	Vérifiez que les connexions de l'«HUMIDOSTAT» et (si utilisée) de la borne FAN PACK sont serrées et bien câblées.
	Les bornes HUMIDISTAT (humidostat) doivent être reliées à un dispositif de marche/arrêt.	
	Vérifiez les connexions de câblage et les réglages sur les éléments accessoires comme l'interrupteur de limite supérieure et l'interrupteur de vérification du flux d'air.	
	Connexions internes.	Vérifiez les connexions de l'électrode et du capteur de niveau d'eau élevé sur la partie supérieure de la cartouche.
		Assurez-vous que le câble ruban provenant du commutateur tactile soit bien branché sur la carte de circuits imprimés de contrôle.
		Assurez-vous que le fil noir/blanc est relié à la borne qui correspond à la tension d'entrée.
	Il n'y a pas de courant vers l'humidificateur.	Vérifiez l'alimentation principale et l'interrupteur.
		Assurez-vous que le disjoncteur soit de la bonne taille pour l'intensité requise.
		Vérifiez la tension entre les bornes L1 et N/L2.
	L'humidificateur n'a pas été mis en marche.	Assurez-vous que le couvercle avant est fixé pour enclencher l'interrupteur de sécurité. Appuyez sur le bouton On/Off (marche/arrêt).
		Assurez-vous que le câble ruban provenant du commutateur tactile n'est pas endommagé et qu'il est bien branché sur la carte de circuits imprimés de contrôle.
		Vérifiez le fusible sur la carte de circuits imprimés (remplacez-le par un fusible à fusion lente de 5 ampères, si nécessaire).
		Une fois l'humidificateur alimenté, vérifiez que le voyant à DEL DB est allumé sur la carte de circuits imprimés. Si la DEL est allumée, remplacez l'interrupteur de membrane, sinon, remplacez la carte de circuits imprimés.
Le voyant Steam (vapeur) se s'allume pas.	L'appel d'humidité n'est pas reçu.	Vérifiez le câblage et le réglage de l'humidostat. (Ne laissez pas le CANH en mode TEST.)
		Vérifiez le câblage et les réglages de l'interrupteur de limite supérieure HH et de l'interrupteur de vérification du flux d'air.
	Connexions de plomberie lâches.	Vérifiez la connexion d'alimentation d'eau à l'entrée du robinet de remplissage. Serrez au besoin.
		Vérifiez les connexions de la bride de serrage interne. Réplacez les brides de serrage et serrez au besoin.
		Vérifiez la connexion du boyau à vapeur sur la partie supérieure de la cartouche. Serrez la bride de serrage au besoin.
	Les boyaux sont bloqués.	Vérifiez les boyaux internes et éliminez les tortillements ou le blocage.
	Le boyau de vidange est bloqué.	Assurez-vous que le boyau de vidange ait constamment une pente orientée vers le bas et qu'il n'est pas bloqué.
De l'eau s'écoule constamment dans le drain.	Des débris dans le robinet de purge l'empêchent de se fermer.	Retirez la cartouche et éliminez les débris du robinet de purge.
	Le joint torique dans le robinet de purge n'est pas correctement appuyé dans la rainure.	Retirez la cartouche et assurez-vous que le joint torique n'est pas endommagé. Remplacez le joint torique au besoin.
	De l'eau s'écoule de l'orifice de trop-plein du godet de remplissage.	Vérifiez les boyaux internes et éliminez les tortillements ou le blocage.
	La pression statique élevée dans le conduit entraîne de la surpression dans la cartouche.	Assurez-vous que le tube de dispersion ne se déverse pas dans un conduit dont la pression statique est supérieure à 0,5 kPa.
	Assurez-vous que les petits tubes de dispersion sont orientés vers le haut.	
L'humidificateur se remplit et l'eau s'écoule dans le drain, mais le voyant du drain n'est pas allumé.	La pression statique élevée dans la conduite de vapeur entraîne de la surpression dans la cartouche.	Installez un t et un siphon dans tous les points bas de la conduite de vapeur. Reportez-vous à la Figure 5 .

AVIS

- Laissez l'humidificateur se vider et coupez le courant avant d'effectuer tout service.
- Toute réparation doit être effectuée par un technicien de CVC qualifié.

Inspectez l'humidificateur lorsque vous le réparez.

- Vérifiez qu'il n'y ait pas de connexions d'électrode lâches sur la cartouche. Remplacez les fils d'électrode si la connexion est lâche.
- Vérifiez le fonctionnement du système et inspectez toutes les connexions de plomberie et de tuyauterie pour vous assurer qu'il n'y ait pas de fissures ou de fuites.
- Inspectez la conduite d'évacuation pour vous assurer qu'elle n'est pas bloquée et qu'elle ait une inclinaison négative constante. Nettoyez-la ou remplacez-la au besoin.
- Inspectez le boya à vapeur pour vous assurer qu'il n'ait pas de zones creusées et qu'il ait une inclinaison positive constante de l'humidificateur au tube de dispersion dans le conduit. Si le tube de dispersion est monté sous l'humidificateur, examinez le té d'écoulement et le siphon.

POUR REMPLACER LA CARTOUCHE

1. Éteignez l'humidificateur.
2. L'unité passera à travers un cycle de purge – quatre minutes – et s'éteindra lorsqu'elle aura terminé.
3. Coupez l'alimentation électrique principale de l'humidificateur au niveau du disjoncteur.
4. Laissez l'unité se refroidir.
5. Retirez la porte avant.
6. Retirez les fils d'électrode, le fil du capteur de niveau d'eau élevé, le boya à vapeur et la cartouche.
7. Retirez le joint torique de la rainure dans l'assemblage du drain au moyen d'un petit tournevis.
8. Examinez l'assemblage du drain et retirez les débris – reportez-vous à POUR NETTOYER LE ROBINET DE PURGE.
9. Insérez un nouveau joint torique dans la rainure de l'assemblage du drain. (Le joint torique est fourni avec la cartouche modèle 80.) Humectez le joint torique avec de l'eau avant de réinsérer la cartouche. N'utilisez pas de l'huile, de la graisse ou tout autre lubrifiant saut de l'eau.
10. Assurez-vous que la crépine est insérée dans le fond de la nouvelle cartouche.
11. Insérez la cartouche dans l'assemblage du drain. Placez la cartouche de manière à ce que l'étiquette soit visible.
12. Rebranchez le boya à vapeur et les fils en vous assurant que ces derniers sont bien appuyés.
13. Remplacez la porte avant.
14. Rétablissez l'alimentation électrique de l'humidificateur.
15. Mettez l'humidificateur en marche et vérifiez que le voyant « On/Off » est allumé.
16. Reportez-vous à la procédure de démarrage.
17. Vérifiez qu'il n'y ait pas de fuites.

POUR RÉPARER LE ROBINET DE REMPLISSAGE

1. Éteignez l'humidificateur.
2. L'unité passera à travers un cycle de purge – quatre minutes – et s'éteindra lorsqu'elle aura terminé.
3. Coupez l'alimentation électrique principale de l'humidificateur au niveau du disjoncteur.
4. Laissez l'unité se refroidir.
5. Retirez la porte avant.
6. Retirez les fils d'électrode, le fil du capteur de niveau d'eau élevé, le boya à vapeur et la cartouche.
7. Avec votre doigt, faites tourbillonner le fluide/mélange de précipité dans le fond du réservoir du robinet de purge.
8. Au moyen d'une éponge ou de serviettes en papier, absorbez l'eau dans le réservoir, si nécessaire, utilisez un aspirateur pour déchets solides et humides pour éliminer le résidu.
9. Nettoyez l'intérieur de l'orifice de purge (où le serpentín se projette vers l'extérieur) en l'essuyant doucement avec un coton-tige plié ou un autre article souple.
10. Rincez le réservoir du robinet de purge avec de l'eau propre et un aspirateur, au besoin.
11. Remplacez la cartouche, rebranchez le boya à vapeur et les fils en vous assurant que ces derniers soient bien appuyés.
12. Remplacez la porte avant.
13. Rétablissez l'alimentation électrique de l'humidificateur.
14. Mettez l'humidificateur en marche et vérifiez que le voyant « On/Off » est allumé.
15. Reportez-vous à la procédure de démarrage.
16. Vérifiez qu'il n'y ait pas de fuites.

Si le débit d'eau du robinet est restreint, débranchez le raccord d'admission et retirez la crépine en ligne du port d'admission au moyen d'une petite vis. Nettoyez ou remplacez la crépine (pièce n° 4004).

PROCÉDURE DE FERMETURE

Pour éteindre l'humidificateur, enfoncez le bouton ON/OFF (marche/arrêt) une fois. L'humidificateur commencera son cycle de purge de quatre minutes. Le robinet de remplissage s'ouvrira pour tempérer l'eau d'évacuation. Le voyant Drain (purge) clignote en vert pendant 15 secondes, puis devient vert pendant quatre minutes pendant l'évacuation de la cartouche. Le cycle d'évacuation est terminé lorsque le voyant Drain (purge) s'éteint et l'humidificateur est éteint.

PANNEAU D'AFFICHAGE






Des voyants verts indiquent un fonctionnement normal.

Le voyant Steam (vapeur) jaune indique que l'humidificateur fonctionne à un niveau inférieur à sa capacité nominale.

Le voyant de service rouge clignotant signifie que la cartouche a presque atteint sa durée utile et doit être remplacée si le niveau d'humidité dans l'espace ne peut pas être maintenu.

Des voyants rouges continus indiquent que l'humidificateur s'est éteint et a besoin d'un service.

Débrancher l'alimentation de l'humidificateur réinitialise les minuteries internes.

TABLEAU 5 – Panneau d'affichage		
Indicateur	Voyant	Fonction
 On/Off (Marche/arrêt)	Eteint	L'humidificateur est éteint ou l'alimentation est débranchée.
	Vert continu	L'humidificateur est en marche.
	Vert clignotant	L'humidificateur se prépare à se mettre en marche. Se produit si l'alimentation vers l'humidificateur a été coupée lorsque l'humidificateur était en marche. L'humidificateur se met en marche après que le voyant ait clignoté pendant une minute.
 Fill (Remplissage)	Eteint	Le robinet de remplissage n'est pas sous tension.
	Vert continu	Le robinet de remplissage est sous tension, remplissant ou réapprovisionnant la cartouche avec de l'eau. (Pendant le cycle de purge lorsque le robinet de remplissage est ouvert laissant de l'eau froide entrer dans la cartouche pour tempérer l'eau d'évacuation, le voyant Fill (remplissage) ne s'allume pas.)
	Vert clignotant	Les robinets de remplissage et de purge vibrent pour déloger les dépôts de minéraux du drain. Clignote 10 fois dans quatre secondes. Se produit si le capteur de niveau d'eau élevé détecte de l'eau pendant le cycle de purge.
	Rouge continu	L'humidificateur ne peut pas remplir la cartouche. L'humidificateur arrête de fonctionner. Se produit lorsque le robinet de remplissage a été mis sous tension pendant 40 minutes et que le capteur de niveau d'eau élevé ne détecte pas d'eau.
 Steam (Vapeur)	Eteint	L'humidificateur ne produit pas de vapeur.
	Vert continu	L'humidificateur est en marche et reçoit un appel d'humidité de la commande.
	Jaune continu	L'humidificateur produit de la vapeur, mais à un rythme inférieur à sa capacité nominale. Se produit si l'humidificateur a fonctionné pendant 168 heures et n'a pas atteint le courant nominal.
 Drain (Purge)	Eteint	Le robinet de purge n'est pas sous tension.
	Vert continu	Le robinet de purge est sous tension, permettant à l'eau de s'évacuer de la cartouche.
	Vert clignotant	L'humidificateur se prépare à s'évacuer. Clignote pendant 15 secondes indiquant que le robinet de remplissage est ouvert et laisse de l'eau froide entrer dans la cartouche.
	Rouge clignotant	La cartouche a atteint la fin de sa durée utile. L'humidificateur continue à fonctionner, mais à capacité réduite. Se produit lorsque l'humidificateur a fonctionné pendant 168 heures, plus une autre période de 24 heures à moins de 75 % de son niveau actuel de fonctionnement maximal entre les électrodes.
 Service	Rouge clignotant	L'humidificateur ne fonctionne pas et a besoin d'un service.
	Rouge continu	

MODES DE FONCTIONNEMENT

Lorsque l'humidificateur est alimenté et en marche, le voyant « On/Off » s'allume en vert.

Pendant les cycles de remplissage, le voyant « Fill » s'allume en vert.

Lorsque l'humidificateur est en marche, chaque fois que la commande de l'humidificateur envoie une demande d'humidité, le voyant Steam (vapeur) s'allume en vert.

Chaque fois que le robinet de purge est activé, le voyant « Drain » s'allume en vert.

Durant la mise en marche initiale avec une nouvelle cartouche, l'humidificateur peut passer à travers une série de cycles de remplissage/de purge jusqu'à ce que la conductivité de l'eau se trouve dans l'étendue qui permet à l'humidificateur de générer de la vapeur à la capacité nominale. Si la conductivité de l'eau est faible, il pourra s'écouler une semaine ou plus avant que l'humidificateur ne génère de la vapeur à la capacité nominale. La capacité nominale est atteinte lorsque l'humidificateur détecte un courant nominal de 1,5 ou 16,0 ampères entre les électrodes. Si l'humidificateur n'a pas atteint la capacité après 168 heures de fonctionnement, le voyant Steam (vapeur) s'allume en jaune lors d'un appel d'humidité. L'humidificateur continuera de fonctionner avec un voyant Steam (vapeur) jaune et peut satisfaire les demandes en humidité. Une fois la capacité nominale atteinte, le voyant Steam (vapeur) s'allume en vert.

Le contrôleur interne ajuste le niveau d'eau dans la cartouche pour maintenir le courant nominal entre les électrodes. Lorsque des minéraux s'accumulent sur les électrodes, leur efficacité diminue, donc le contrôleur augmente le niveau d'eau pour submerger davantage la surface des électrodes. Lorsque l'eau a atteint le capteur de niveau d'eau élevé dans la cartouche et que le contrôleur interne ne détecte plus le courant nominal, le voyant Service clignote en rouge pour indiquer que la cartouche a besoin d'être remplacée.

Si l'humidificateur tente d'évacuer la cartouche et ne réussit pas, les robinets de purge et de remplissage vibreront par intermittence pendant quatre secondes pour déloger les minéraux qui peuvent bloquer les orifices du robinet de purge. Dans ce cas, les voyants Drain (purge) et Fill (remplissage) clignoteront par intermittence. Chaque fois que le courant est coupé ou que l'humidificateur est éteint, la minuterie interne pour les cycles de démarrage et d'évacuation est réinitialisée.

Si l'humidificateur a fonctionné pendant 168 heures sans cycle d'évacuation, le robinet de purge s'ouvre et vide la cartouche. Le fonctionnement normal se poursuit. Si l'humidificateur fonctionne et qu'une panne de courant survient, une fois le courant rétabli, le voyant « On/Off » clignote en vert pendant une minute, puis l'humidificateur se met en marche.

FERMETURE À LA FIN DE LA SAISON OU D'UNE PÉRIODE D'INACTIVITÉ

L'humidificateur n'a pas besoin d'être éteint à la fin de la saison d'humidification. Si 72 heures se sont écoulées sans recevoir un appel d'humidité, la cartouche s'évacue automatiquement. Le voyant Drain (purge) demeurera allumé pendant 24 heures. Cela peut aussi se produire durant les périodes d'inactivité pendant la saison d'humidification. L'humidificateur reprend son fonctionnement normal lorsqu'un appel d'humidité est effectué.

PROCÉDURE DE DÉMARRAGE

1. Lorsque les connexions d'alimentation en eau, d'évacuation, du boyau à vapeur, d'alimentation électrique et de câblage de contrôle sont terminées, assurez-vous que la cartouche soit complètement appuyée dans le robinet de purge et que les trois connecteurs de fil sur la partie supérieure de la cartouche sont solides. (Le fil du capteur de niveau d'eau élevé et deux fils d'électrode interchangeables.)

2. Fixez le panneau latéral et la porte avant.

3. Ouvrez le robinet-valve à évier permettant à l'eau de s'écouler jusqu'à l'humidificateur. Vérifiez qu'il n'y ait pas de fuites.

4. Mettez le bouton de la commande numérique automatique à Off (arrêt).

5. Fermez l'interrupteur de l'alimentation principale mettant l'humidificateur sous tension.

6. Appuyez sur le bouton On/Off (marche/arrêt) de l'humidificateur. Le voyant On/Off (marche/arrêt) s'allumera en vert.

7. Assurez-vous que le ventilateur CVC fonctionne et réglez le cadran CANH vers le haut pour initier un appel d'humidité. Si installé avec un bloc ventilateur, mettez l'humidostat manuel numérique modèle 65 en marche. Réglez le point de réglage d'humidité au moyen des flèches vers le haut et le bas.

Remarque : le CANH peut être mis au mode TEST pour forcer l'appel d'humidité, mais cela ne durera que pendant une minute.

Le voyant Steam (vapeur) s'allume en vert indiquant un appel d'humidité et le voyant Fill (remplissage) s'allume en vert indiquant que le robinet de remplissage est ouvert pour permettre à la cartouche de se remplir. **Vous devriez aussi entendre de l'eau s'écouler. Si l'eau s'écoule dans le drain pendant que l'humidificateur se remplit, vérifiez s'il y a des tortillements ou des obstructions dans le boyau ou le godet de remplissage et assurez-vous que le joint torique dans le robinet de purge soit bien appuyé dans la rainure et qu'il n'est pas endommagé ou déformé.**

8. Lorsque le voyant Fill (remplissage) s'éteint, pour vérifier que l'humidificateur s'évacue correctement, appuyez sur le bouton On/Off (marche/arrêt) pour éteindre l'humidificateur. Vous pourrez entendre le robinet de remplissage s'ouvrir pour laisser l'eau froide s'écouler dans la cartouche pour refroidir l'eau dans la cartouche. Le voyant Drain (purge) clignote en vert pendant 15 secondes, puis devient vert pendant quatre minutes pendant l'évacuation de la cartouche. Le cycle d'évacuation est terminé lorsque le voyant Drain (purge) s'éteint.

9. Réglez le CANH au niveau approprié.

10. Appuyez sur l'interrupteur On/Off (marche/arrêt) pour mettre l'humidificateur en marche.

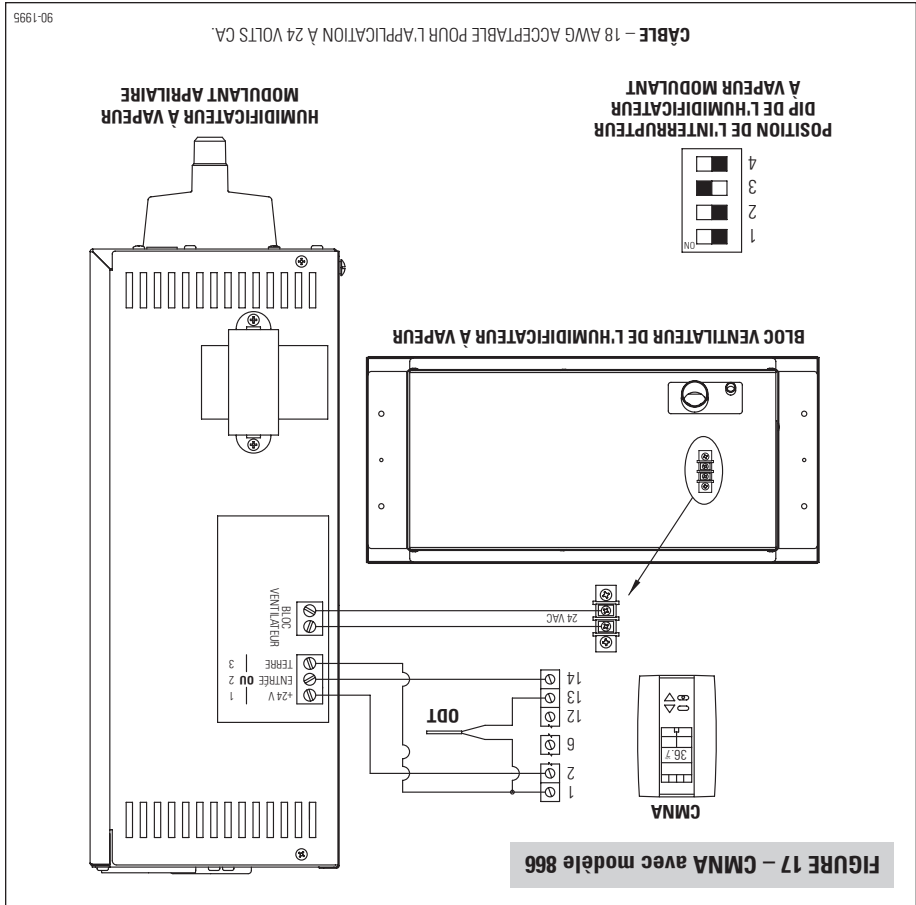
11. Si installé avec un bloc ventilateur, assurez-vous que le ventilateur du bloc ventilateur fonctionne.

12. Assurez-vous que la sortie de vapeur du bloc ventilateur n'est pas bloquée.

⚠ MISE EN GARDE

Le devant du bloc ventilateur est très chaud. La vapeur n'est pas toujours visible. Ne touchez pas au devant du bloc ventilateur et ne mettez pas la main devant le collecteur d'évacuation de vapeur.

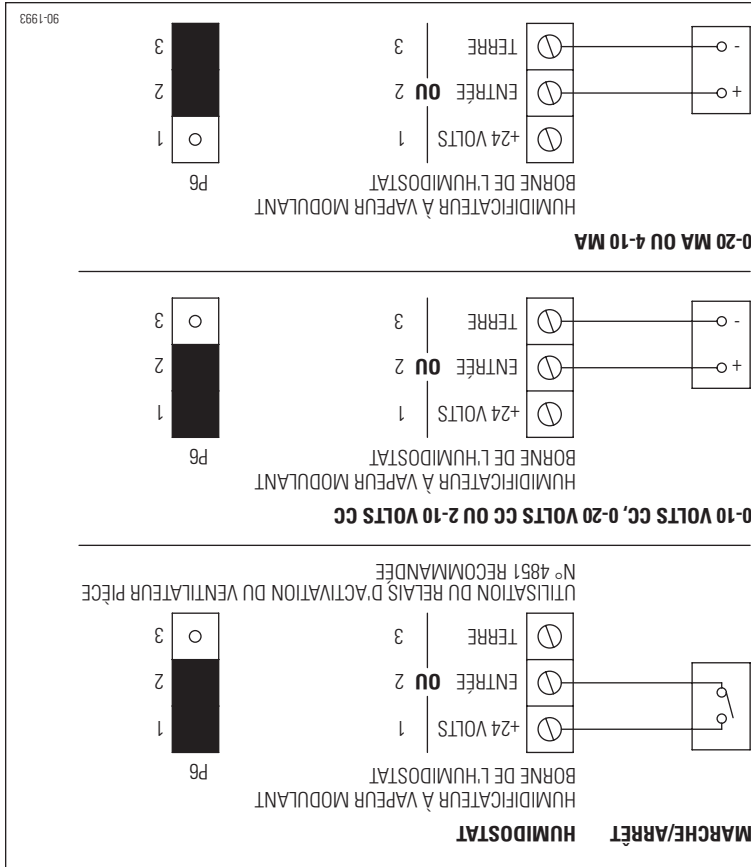
Lorsque l'humidificateur à vapeur modulant est installé avec le bloc ventilateur, câblez la CMNA comme il est illustré dans la **Figure 17**. La commande modulante numérique automatique Aprilaire est le contrôleur d'humidité recommandé pour l'humidificateur à vapeur modulant modèle 801 et modèle 866. Cependant, l'humidificateur à vapeur modulant peut accepter un certain nombre de signaux de contrôle différents. Si vous utilisez un contrôle de tiers, configurez le contrôleur interne de l'humidificateur à vapeur modulant pour le signal de contrôle du tiers. Reportez-vous à la **Figure 18** pour voir les options de configuration.



RÉGLAGES DU COMMUTATEUR DIP DE CONTRÔLE

DIP2	DIP3	TYPE DE SIGNAL DE L'HUMIDOSTAT	MARCHE/ARRÊT	MARCHE/ARRÊT
ARRÊT	ARRÊT	MARCHE/ARRÊT	ARRÊT	MARCHE
ARRÊT	MARCHE	0-20 VOLTS CC	ARRÊT	MARCHE
ARRÊT	MARCHE	0-10 VOLTS CC ou 0-20 mA	MARCHE	ARRÊT
MARCHE	MARCHE	2-10 VOLTS CC ou 4-20 mA	MARCHE	ARRÊT

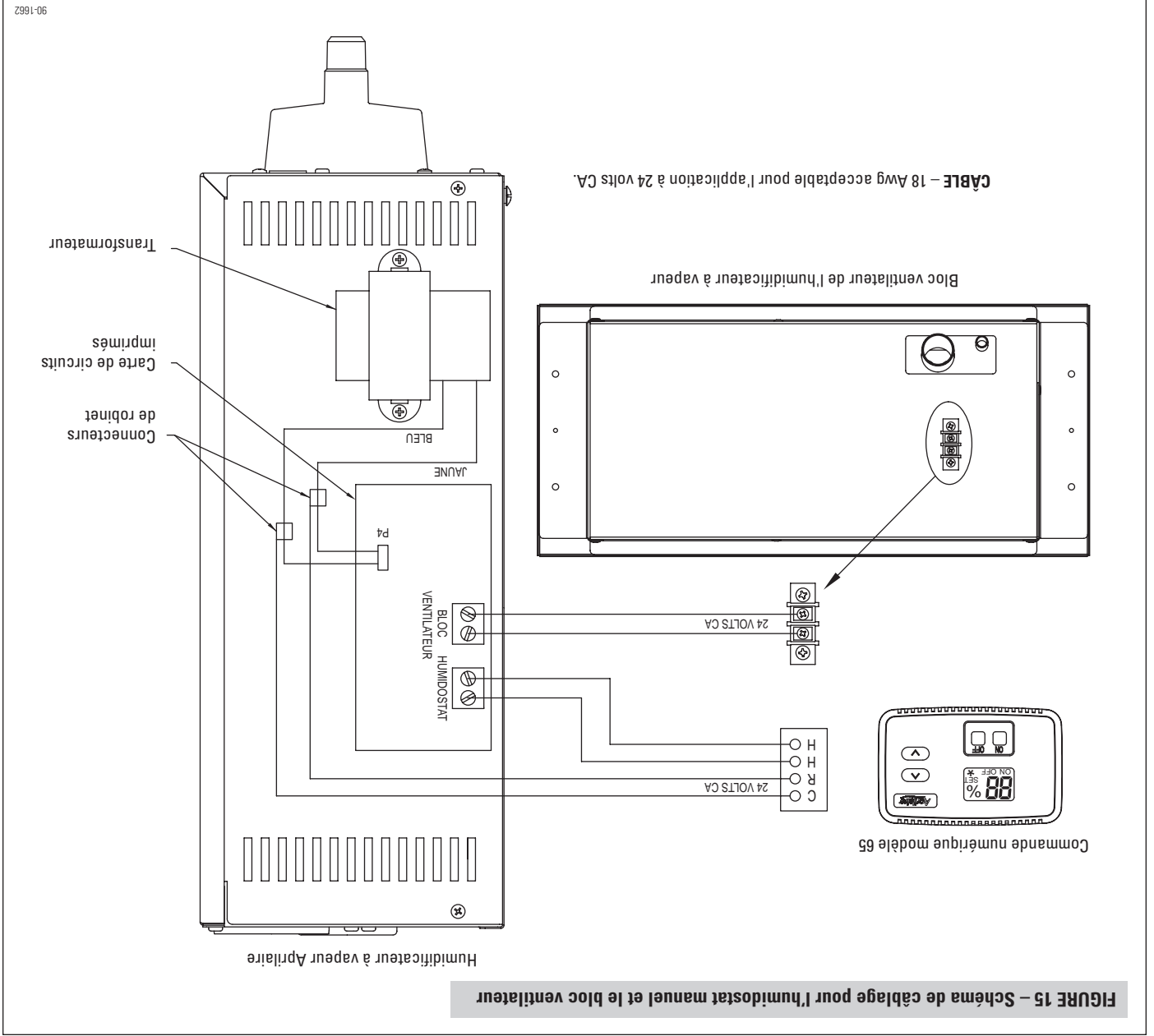
FIGURE 18 – Signaux de contrôle de tiers



CÂBLAGE DE L'HUMIDOSTAT MANUEL NUMÉRIQUE ET DU BLOC VENTILATEUR (MODÈLE 865)

Installez l'humidostat manuel numérique dans la zone devant être humidifiée en suivant les directives d'installation fournies avec la commande. Installez l'humidostat dans la même pièce ou zone que l'évacuation du bloc ventilateur, mais à une distance d'au moins 3 mètres. Reliez l'humidostat manuel numérique à l'humidificateur à vapeur à l'aide d'un câble de thermostat standard de 24 volts. Reportez-vous à la **Figure 15**.

Coupez l'alimentation à vapeur avant de relier les bornes du bloc ventilateur aux bornes du BLOC VENTILATEUR se trouvant sur l'humidificateur à vapeur. Utilisez un câble de thermostat standard de 24 volts. Reportez-vous à la **Figure 15**.

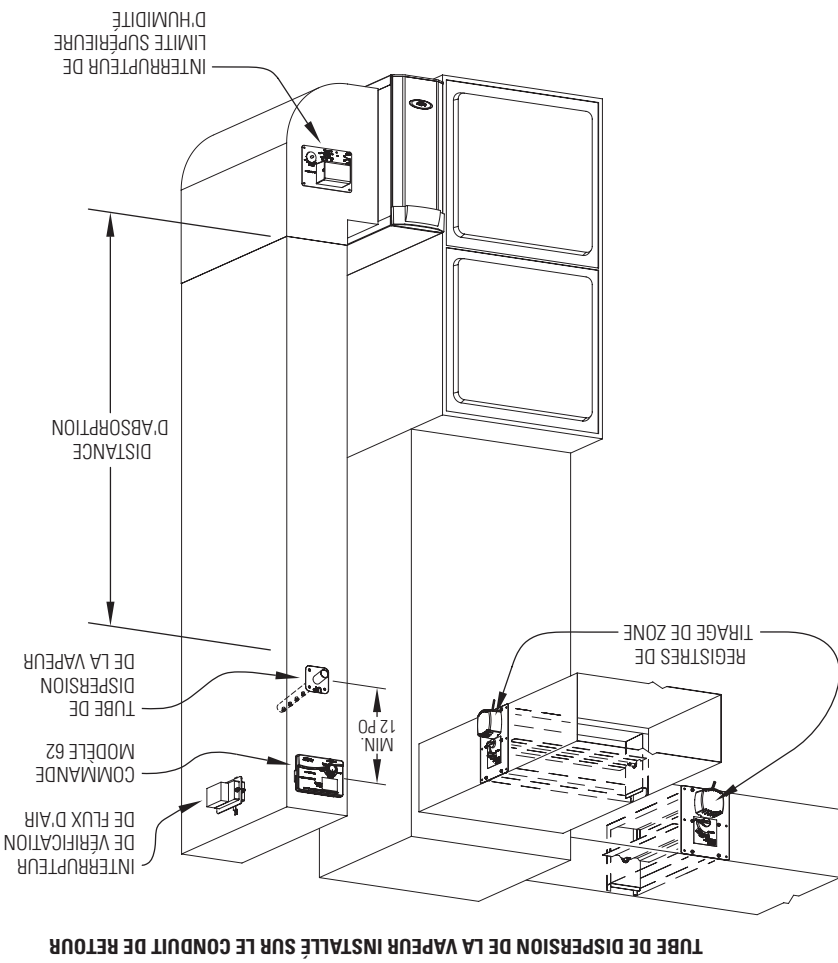


90-1862

THERMOSTAT DANS UN SYSTÈME DE CVC ZONE

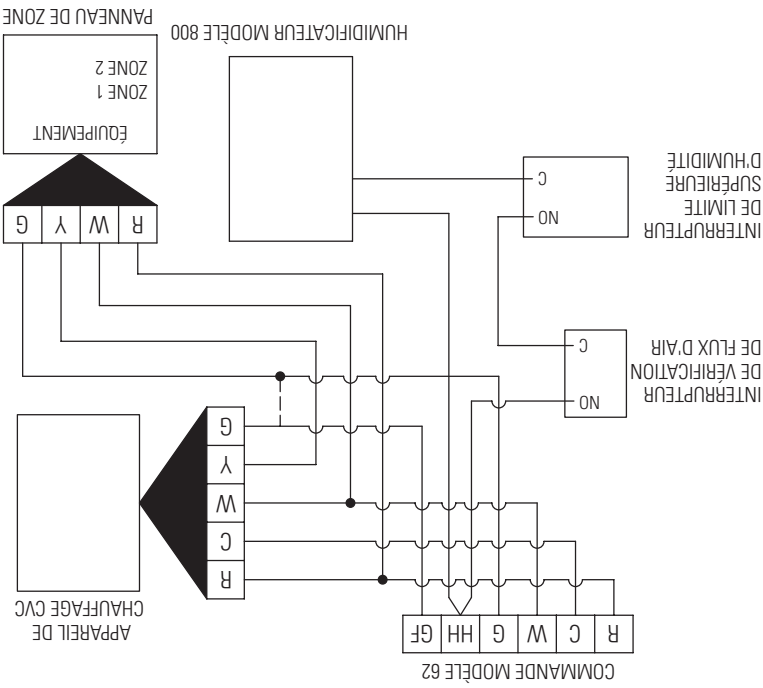
Installez le tube de dispersion dans le conduit de retour. Chaque zone individuelle doit pouvoir prendre en charge la capacité complète de condensation. Installez la CANH modèle 62 et l'interrupteur de vérification de flux d'air (recommandé) en amont du tube de dispersion. L'installation d'un interrupteur de limite supérieure d'humidité installé à une distance de 4-5 pieds (1,2 à 1,5 m) en aval du tube de dispersion est recommandée. La distance d'absorption doit être calculée pour la vélocité d'air la plus faible (lorsque toutes les zones font des appels) et lorsque la zone la plus petite fait un appel (l'air de dérivation peut réduire la vélocité dans le retour). Reliez l'humidistat aux bornes de l'équipement sur le panneau de zone.

FIGURE 14 – Humidificateur à vapeur installé dans un système de CVC zone



INTERRUPTEUR DE VÉRIFICATION DE FLUX D'AIR
COMMANDE MODELE 62
TUBE DE DISPERSION DE LA VAPEUR
DISTANCE D'ABSORPTION
INTERRUPTEUR DE LIMITE SUPÉRIEURE D'HUMIDITÉ

TUBE DE DISPERSION DE LA VAPEUR INSTALLÉ SUR LE CONDUIT DE RETOUR



COMMANDE MODELE 62
R C W G HH GF
APPAREIL DE CHAUFFAGE CVC
R C W Y G
HUMIDIFICATEUR MODELE 800
PANNEAU DE ZONE
R W Y G
ÉQUIPEMENT
ZONE 1
ZONE 2
INTERRUPTEUR DE VÉRIFICATION DE FLUX D'AIR
C NO
INTERRUPTEUR DE LIMITE SUPÉRIEURE D'HUMIDITÉ
C NO

CÂBLAGE ACCESSOIRE ET DE LA COMMANDE NUMÉRIQUE AUTOMATIQUE (MODÈLE 800)

Le circuit de contrôle fonctionne sur 24 volts CA.

La CANH (commande automatique numérique d'humidificateur) modèle 62 doit être montée dans le conduit d'air de retour à une distance d'au moins 15 cm en amont de tout conduit d'admission d'air frais ou de toute source d'humidité et à au moins 30 cm en amont du tube de dispersion de vapeur s'il se trouve dans le retour. Suivez les directives fournies avec le contrôle. Reliez les bornes « H » du CANH aux bornes « HUMIDISTAT » sur la carte de circuits imprimés de l'humidificateur. Les bornes « H » du modèle 62 fournissent un interrupteur à contact sec pour amorcer l'humidificateur.

Si l'application nécessite un humidostat mural dans l'espace climatisé, utilisez l'humidostat manuel pièce n° 455, l'humidostat manuel numérique pièce n° 65, l'humidostat modulant numérique automatique pièce n° 63 ou tout thermostat Apriliaire avec une fonction de contrôle pour humidificateur intégré. Utilisez le relais d'activation de ventilateur pièce n° 4851 avec les humidostats manuels et manuels numériques Apriliaire afin de permettre à l'humidificateur de mettre en marche le ventilateur du système de CVC lorsque de l'humidité est requise.

Si vous désirez une protection contre la surhumidification, installez un interrupteur de limite supérieure d'humidité pièce n° 4594 offert en option à une distance d'au moins 1,2 mètre en amont du tube de dispersion. Si vous désirez vérifier le flux d'air, installez un interrupteur de vérification du flux d'air pièce n° 4592 offert en option dans le conduit. L'interrupteur de limite supérieure d'humidité et l'interrupteur de vérification du flux d'air sont câblés en série avec le circuit du CANH (humidistat). Reportez-vous à la **Figure 13**.

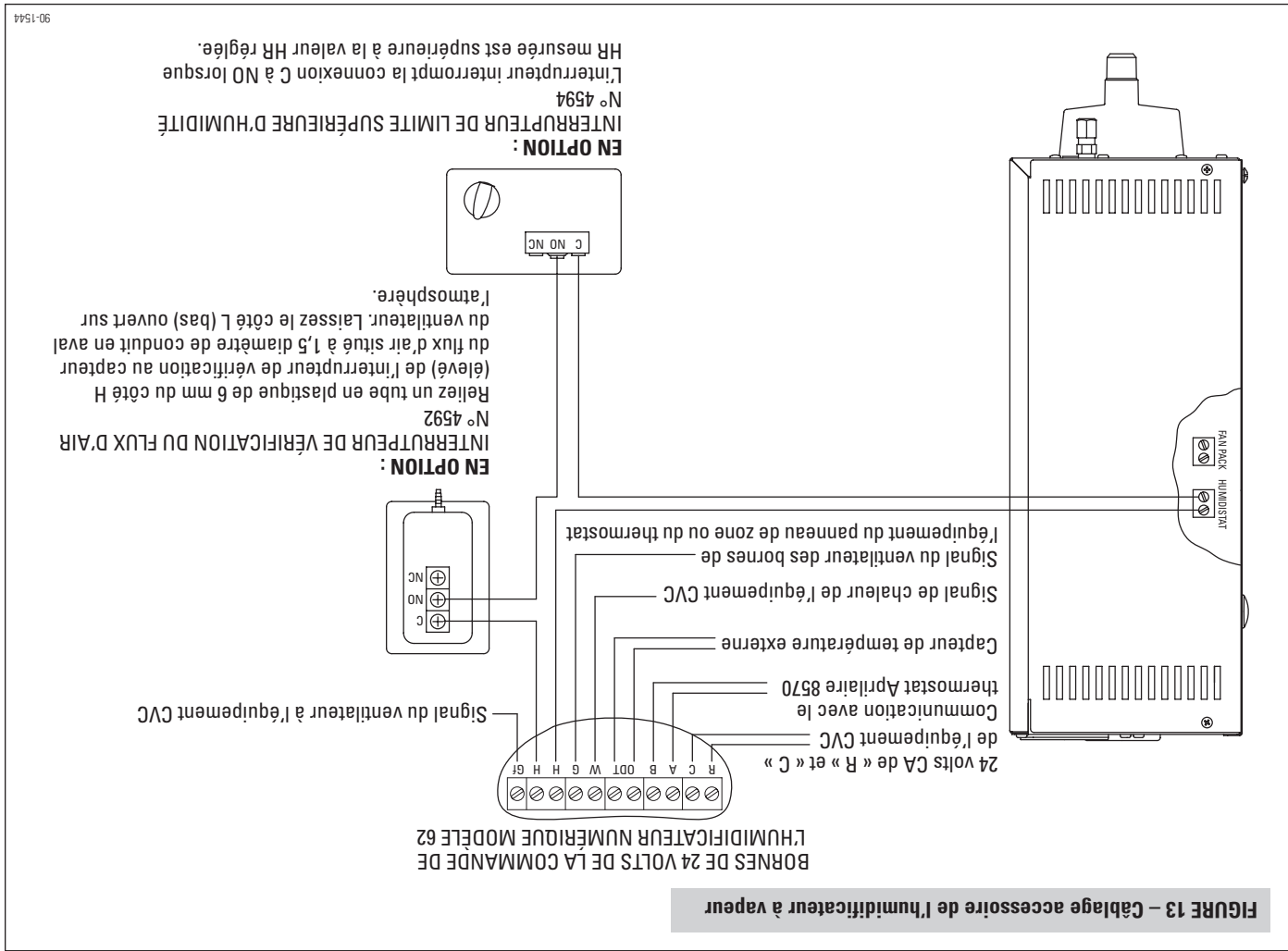
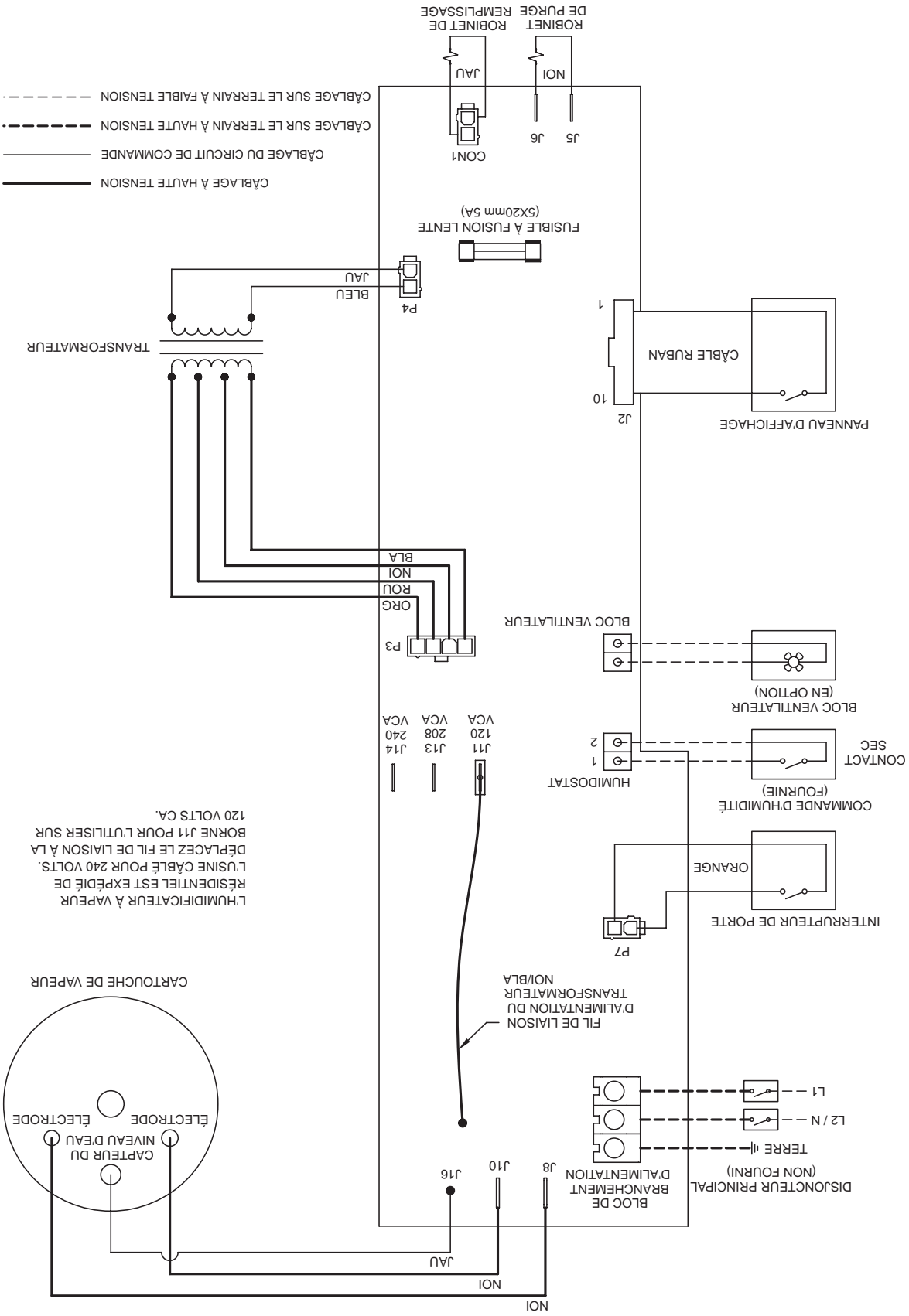


FIGURE 12 – Diagramme de câblage 120 volts CA



L'HUMIDIFICATEUR À VAPEUR
RÉSIDENTIEL EST EXPÉDIÉ DE
L'USINE CÂBLÉ POUR 240 VOLTS.
DÉPLACEZ LE FIL DE LIAISON À LA
BORNE J11 POUR L'UTILISER SUR
120 VOLTS CA.

— CÂBLAGE À HAUTE TENSION
- - - CÂBLAGE SUR LE TERRAIN À FAIBLE TENSION
- · - · CÂBLAGE SUR LE TERRAIN À HAUTE TENSION
- · - · CÂBLAGE DU CIRCUIT DE COMMANDE
— CÂBLAGE À HAUTE TENSION

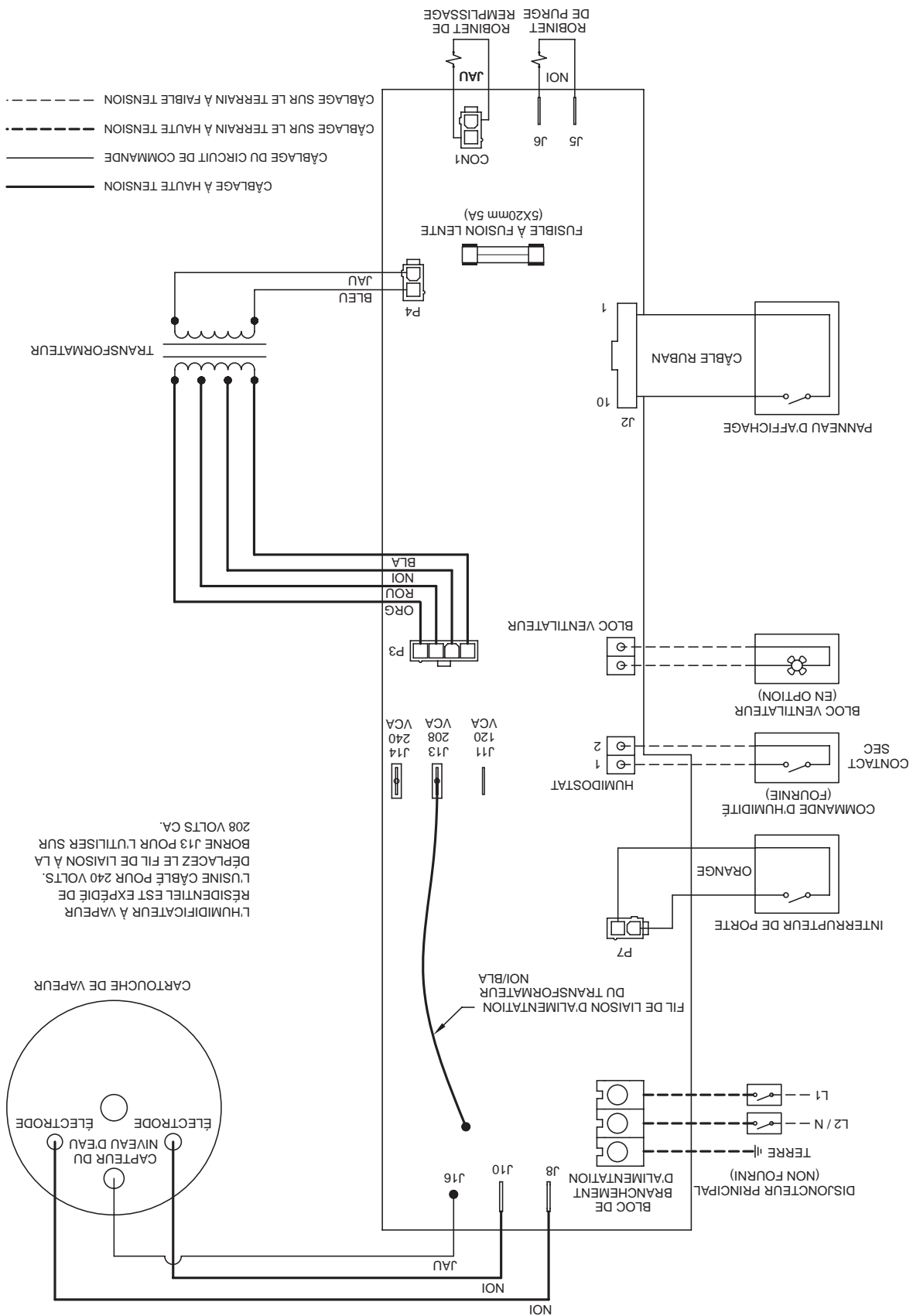


FIGURE 11 – Diagramme de câblage 208 volts CA

FIGURE 10 – Diagramme de câblage 240 volts CA

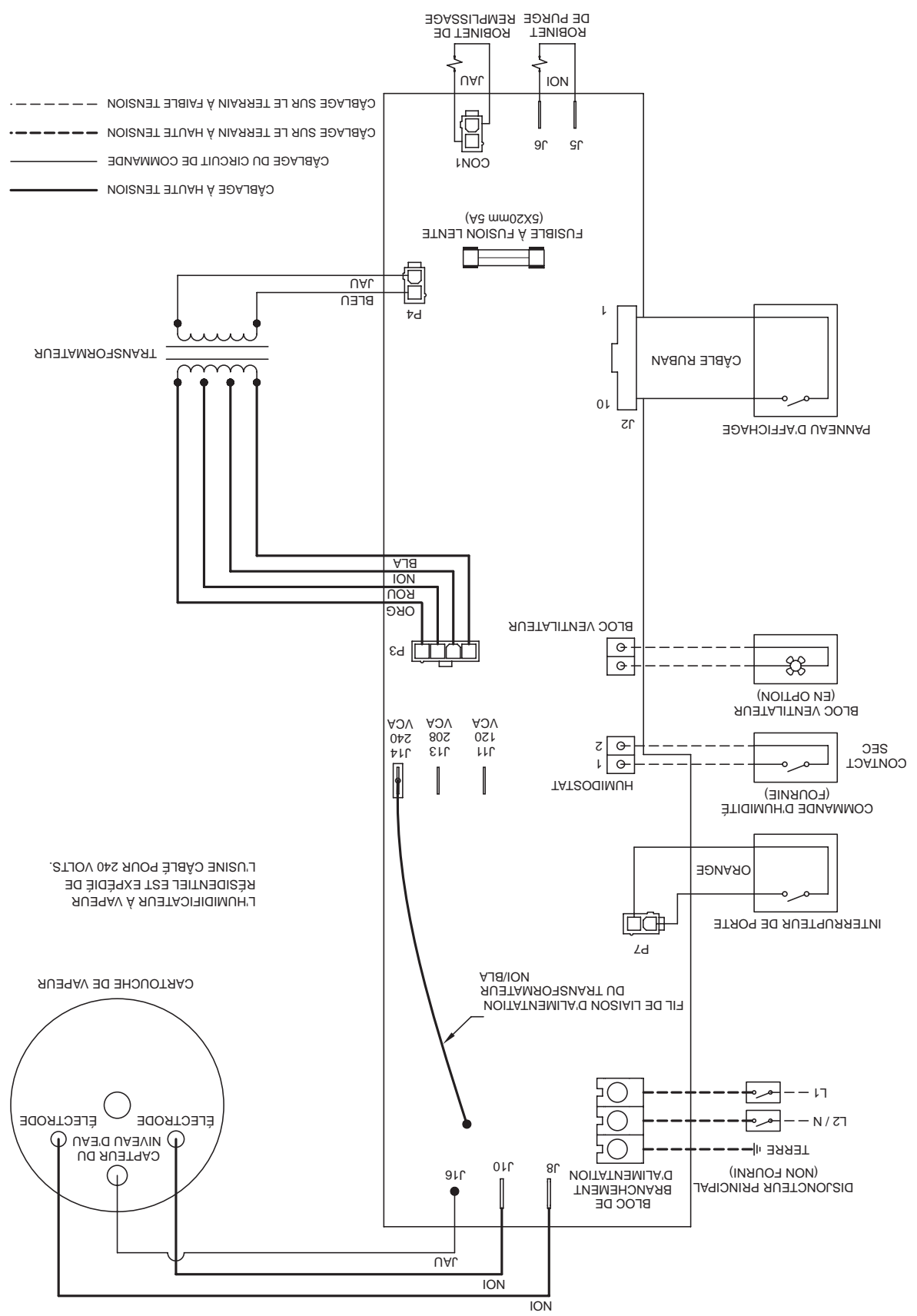
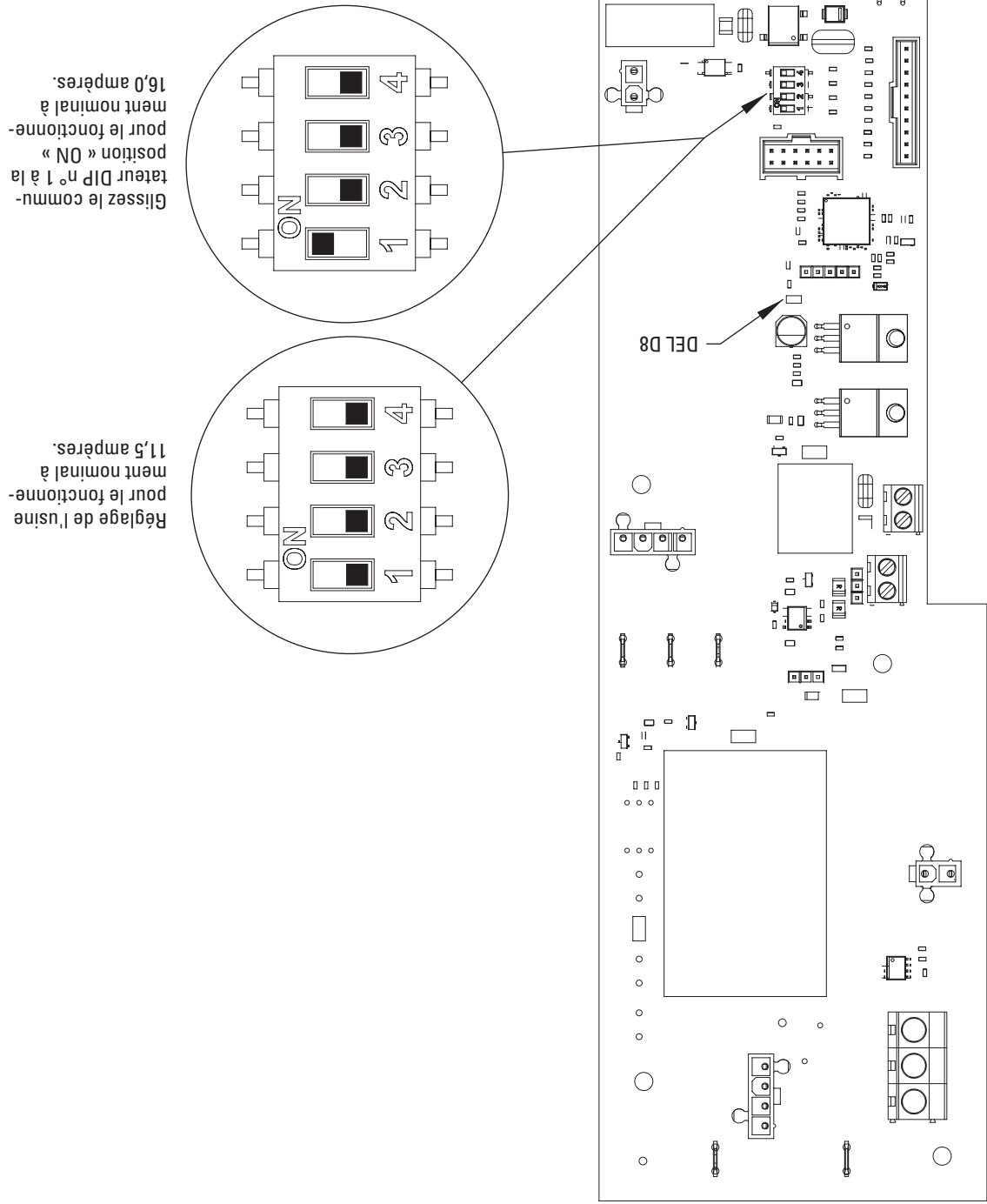


FIGURE 9 – Carte de circuits imprimés de contrôle avec commutateurs DIP



CONDUITE D'ÉVACUATION

Fixez le tuyau d'évacuation à 2,2 cm de diamètre intérieur fourni à l'assemblage du drain au fond de l'humidificateur. Solidifiez avec la bride de serrage fournie. Ne serrez pas trop.

Assurez-vous que la conduite d'évacuation ait une inclinaison négative constante de l'humidificateur au drain et qu'elle n'est pas déformée ou bloquée.

Si un drain de plancher n'est pas disponible, utilisez une pompe à condensat (pièce n° 485b) pour acheminer l'eau vers un drain approprié. Fournissez au moins 40 cm pour la conduite d'évacuation entre l'humidificateur à vapeur et la pompe de condensation.

Remarque : l'humidificateur utilise de l'eau froide pour tempérer l'eau d'évacuation à moins de 60 °C.

CÂBLAGE DE L'ALIMENTATION ÉLECTRIQUE ET INTERRUPTEUR D'ARRÊT**⚠ MISE EN GARDE**

Seuls les électriciens qualifiés doivent effectuer les procédures de câblage. Un mauvais câblage ou contact avec les circuits sous tension peuvent causer des dommages matériels ou des blessures graves.

Tout le câblage doit être effectué conformément à tous les codes électriques en vigueur et au diagramme de câblage fourni à l'intérieur du panneau avant.

Ne bouclez pas le câblage d'alimentation.

N'utilisez pas des fils en aluminium.

Un système de mise à la terre de sécurité qui est conforme à tous les codes électriques applicables est requis. La connexion de masse doit être effectuée avec des connexions robustes de métal à métal. Le fil de masse doit être de la même taille que le câblage d'alimentation.

Avec les réglages en usine, l'humidificateur à vapeur tire 1,5 ampères +/- 10 %. Utilisez un circuit spécialisé d'au moins 20 ampères lorsque vous effectuez une installation qui utilisera 1,5 ampères. L'humidificateur à vapeur peut être réglé pour tirer 16,0 ampères +/- 10 % en repositionnant le commutateur DIP n° 1 sur la carte de circuits imprimés (reportez-vous à la **Figure 9**). Lorsqu'il est réglé à 16 ampères, utilisez un circuit spécialisé d'au moins 25 ampères. Pour les deux applications, choisissez la taille des fils selon les codes locaux.

L'humidificateur à vapeur est expédié de l'usine câblé pour un fonctionnement à 240 volts CA, mais il peut fonctionner sur 120, 208 ou 240 volts CA. **Si vous utilisez 120 ou 208 volts, déplacez le fil de liaison noir/blanc vers l'onglet approprié sur la carte de circuits imprimés.** Reportez-vous aux **Figures 10, 11, 12.**

DIRECTIVES DE CÂBLAGE

Installez l'interrupteur d'arrêt (non fourni) entre la source d'alimentation et l'humidificateur.

Des alvéoles défonçables pour le câblage d'alimentation et le câblage du circuit de contrôle à faible tension sont fournis.

Reliez les fils d'alimentation et de masse comme il est indiqué dans le diagramme de câblage.

- 240 volts CA – **Figure 10**
- 208 volts CA – **Figure 11**
- 120 volts CA – **Figure 12**

N'acheminiez pas des fils d'alimentation à haute tension sur les cartes de circuits imprimés internes.

DIRECTIVES D'INSTALLATION (SUITE)

PRÉPARATION DE L'HUMIDIFICATEUR POUR LE MONTAGE

Sortez les articles de la boîte. Ouvrez le panneau avant en retirant la vis et en soulevant le panneau vers le haut et loin de l'humidificateur. Débranchez les trois fils de la partie supérieure de la cartouche en tirant directement vers le haut. Les deux gros fils sont les conducteurs d'électrode. Le fil plus petit est relié au capteur de niveau élevé d'eau. Retirez la cartouche en la tirant vers le haut et hors de l'assemblage du drain. Retirez deux vis du côté droit de l'humidificateur et soulevez le panneau du boîtier pour exposer le compartiment électrique.

INSTALLATION DU TUBE DE DISPERSION DE VAPEUR

Assurez-vous que le tube de dispersion de vapeur est monté plus haut que l'humidificateur afin que la condensation qui se forme dans le boyau à vapeur s'écoule dans la cartouche. Si le tube de dispersion ne peut pas être installé plus haut que l'humidificateur ou si le boyau à vapeur doit se prolonger au-dessus de l'humidificateur, puis vers le bas jusqu'au tube de dispersion à cause d'une obstruction, un système à té d'écoulement et siphon (pièce n° 4028) doit être installé comme il est illustré dans la **Figure 5**.

Percez un trou de 3,2 cm de diamètre dans une surface verticale du conduit à l'endroit choisi pour le tube de dispersion. Placez le tube de dispersion de manière à ce qu'il soit incliné vers le haut, quelle que soit la direction du débit d'air. Le mot UP (haut) est estampé sur le support de montage pour faciliter l'installation. Fixez-le avec quatre vis autotaraudeuses fournies.

MONTAGE DE L'HUMIDIFICATEUR

Fixez l'humidificateur à un mur solide en utilisant les vis fournies, ou à un conduit en tôle. L'humidificateur pèse initialement 10,4 kg avec une cartouche pleine, mais son poids augmentera au fil du temps en raison de la précipitation de minéraux dans la cartouche. Assurez-vous que le système de montage pourra soutenir le poids. Si vous effectuez le montage sur un mur à ossature, installez deux planches de structure aux montants et fixez l'humidificateur aux planches de structure. Assurez-vous que l'humidificateur est monté de niveau.

INSTALLATION DU BOYAU À VAPEUR

Un boyau à vapeur de 1,8 mètre est fourni avec l'humidificateur. Si le boyau à vapeur doit être coupé, utilisez une scie à métaux. Si vous avez besoin de prolonger le boyau, utilisez un tuyau en cuivre ou en métal de 2,5 cm de diamètre extérieur. **N'utilisez pas des tuyaux en PVC pour la conduite de vapeur.** Isoler le tuyau avec une isolation de 2,5 cm d'épaisseur qualifiée pour 100 °C (212 °F) ou plus pour réduire la perte de vapeur. Reportez-vous au **Tableau 4** pour obtenir la capacité de l'humidificateur avec diverses longueurs de boyau et de tuyau à vapeur.

Utilisez le boyau à vapeur fourni. Les autres boyaux peuvent avoir des impuretés qui peuvent causer de la mousse dans la cartouche. La formation de mousse peut causer des inexactitudes dans le niveau d'eau, réduire la production de vapeur et pulvériser de l'eau dans le conduit. Lorsque vous utilisez un tuyau, éliminez toute trace de matières résiduelles utilisées pour relier le tuyau pour éviter tout moussage.

Vérifiez que le joint torique est en place dans la rainure de l'assemblage du drain. Humectez le joint torique (n'utilisez PAS de l'huile, de la graisse ou tout lubrifiant autre que de l'eau), puis rincez la cartouche en gardant l'étiquette de mise en garde orientée vers l'avant de l'unité.

Fixez le boyau à vapeur au tube de dispersion, puis à la partie supérieure de la cartouche au moyen des brides de serrage fournies. Assurez-vous que le boyau à vapeur ait une inclinaison constante d'au moins 16 cm par mètre entre le tube de dispersion et l'humidificateur. Chaque zone creuse dans le boyau ou le tuyau à vapeur doit avoir un té d'écoulement et un siphon. Remplissez le siphon avec de l'eau avant d'effectuer les dernières connexions. Soutenez le tuyau de vapeur à plusieurs endroits sur sa longueur pour éviter qu'il ne s'affaisse.

Installez et appuyez complètement les conducteurs d'électrode (interchangeables) et le fil du capteur de niveau d'eau élevé sur la partie supérieure de la cartouche.

EAU D'ALIMENTATION

Reliez l'humidificateur à de l'eau froide, dure ou adoucie. **N'utilisez pas de l'eau déminéralisée ou d'osmose inverse.** Pour obtenir un fonctionnement adéquat, la pression de l'eau d'alimentation doit varier entre 1,7 et 8,2 bars. De l'eau dure ou adoucie peuvent être utilisées à condition que leur conductivité se trouve entre 125 et 1250 micros/cm. Reportez-vous à la **Tableau 2**.

Les tuyaux d'alimentation d'eau doivent être libres d'huiles, de lubrifiants, de flux de soudure et d'autres contaminants qui peuvent causer de la mousse. **Se référer aux codes de plomberie municipale.** Un dispositif anti-refoulement externe peut être nécessaire.

Installez le robinet-vanne à étrier conformément aux directives imprimées sur le sac. Achetez un tuyau en cuivre de 6 mm du robinet-vanne à étrier jusqu'à l'humidificateur. Reliez-le au robinet de remplissage. Serrez fermement avec une clé pour éviter toute fuite et tout dommage au robinet. L'ajout d'une canalisation d'eau tressée en acier inoxydable peut aider à réduire le bruit du robinet.

Remarque : l'ajout d'un filtre à particules en ligne peut augmenter la durée utile de la cartouche dans les régions ayant des niveaux élevés de solides en suspension. N'utilisez PAS des filtres qui libèrent des antitartres puisque les filtres de ce genre peuvent grandement réduire la durée utile de la cartouche.

TABLAU 4 – Capacité de l'humidificateur à vapeur en litres/jour

Longueur du boyau à vapeur ou du tuyau isolé	120 volts		208 volts		240 volts	
	11,5 ampères	16,0 ampères	11,5 ampères	16,0 ampères	11,5 ampères	16,0 ampères
< 61 cm	43,5	43,5	101,2	101,2	77,6	77,6
61 cm	42	42	58,7	58,7	75	75
122 cm	38	42	54,9	58,7	72	75
183 cm	34	42	51,1	56,8	68	75
244 cm		38	53,0	53,0	72	72
305 cm		38	53,0	106,0		106,0
366 cm		38	53,0	106,0		106,0
427 cm		34	49,2	102,2		102,2
488 cm		34	49,2	102,2		102,2
549 cm		34	49,2	102,2		102,2
610 cm		34	49,2	102,2		102,2

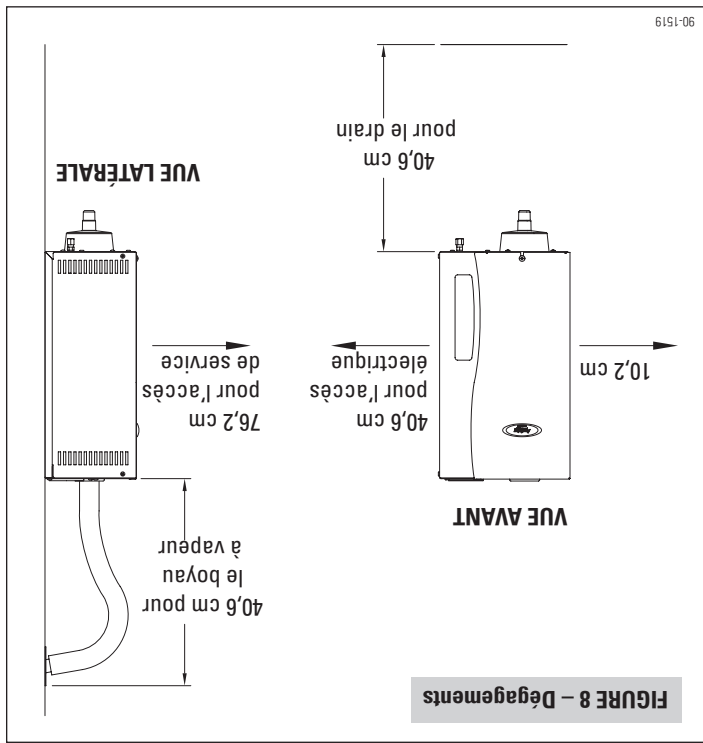
EMPLACEMENT DE L'HUMIDIFICATEUR

Ne montez pas l'humidificateur à un endroit où la température ambiante dépasse 40 °C ou à un endroit où des températures inférieures au point de congélation peuvent se produire. Des températures extrêmes peuvent causer une fuite à l'humidificateur ce qui peut endommager les meubles ou la structure.

Montez l'humidificateur à un endroit qui permet l'accès pour le service et de l'espace pour retirer le panneau avant pour remplacer la cartouche et le panneau latéral pour accéder aux composants électriques pendant l'installation. Reportez-vous à la **Figure 8** pour connaître les dégagements minimums requis autour de l'humidificateur.

L'humidificateur doit être monté aussi près du tube de dispersion que possible. Le **Tableau 4** indique la mesure dans laquelle la capacité est réduite lorsque la distance entre l'humidificateur et le tube de dispersion augmente. Si l'humidificateur est monté sur le conduit directement sous le tube de dispersion, prévoyez de l'espace pour une courbe dans le boyau à vapeur. Allouez une longueur d'au moins 5 cm de boyau de vapeur directement hors de l'humidificateur avant de commencer toute courbe; cela aidera à assurer une connexion étanche avec la partie supérieure de la cartouche.

L'humidificateur peut être monté sur une surface en bois ou sur un conduit en tôle s'il est structuralement stable. Ne montez pas l'humidificateur sur un panneau de conduit en fibres. L'installation d'un isolément acoustique peut être désirable lors du montage sur des conduits en tôle. L'humidificateur doit être monté sur une surface verticale et de niveau en position debout.



AVIS

CONTRÔLEZ LE DÉBIT ET LA COLLECTE DU CONDENSAT.

Le non-respect des recommandations relatives au boyau à vapeur se trouvant dans ce manuel peut entraîner une performance erratique ou réduite, augmenter le bruit et le condensat dans le conduit.

Si le tube de dispersion doit être monté sous l'humidificateur ou si le boyau à vapeur doit être acheminé vers le haut et par-dessus une obstruction, un té d'écoulement avec un siphon (pièce n° 4028) doit être installé comme dans la **Figure 5**. Lorsque vous utilisez un bloc ventilateur, installez la pièce n° 4028 près de la sortie de l'humidificateur pour aider à réduire le bruit de gargouillement comme il est illustré dans la

DISTANCE DE L'HUMIDIFICATEUR AU TUBE DE DISPERSION/BLOC VENTILATEUR

Figure 6

La capacité de l'humidificateur est réduite par la longueur du boyau ou tuyau à vapeur en raison de la condensation. La longueur maximale recommandée pour le boyau à vapeur est de 1,8 mètre. Utilisez un tuyau rigide isolé avec une isolation de 2,5 cm d'épaisseur qualifiée pour 100 °C ou une température supérieure pour les longueurs supérieures à 1,8 m. Le **Tableau 4** indique la capacité de l'humidificateur avec diverses longueurs de boyau et de tuyau à vapeur. Si le boyau à vapeur de 1,8 mètre n'atteint pas le tube de dispersion à partir de l'humidificateur, épissez un tuyau en cuivre de 2,5 cm au moyen de raccords de réduction de 1,9 x 2,5 cm comme dans la **Figure 7**.

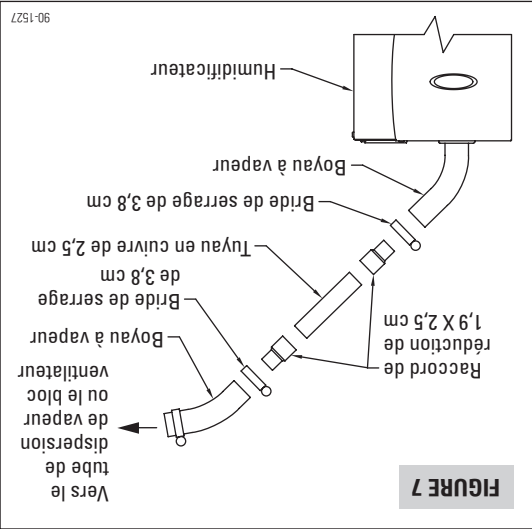
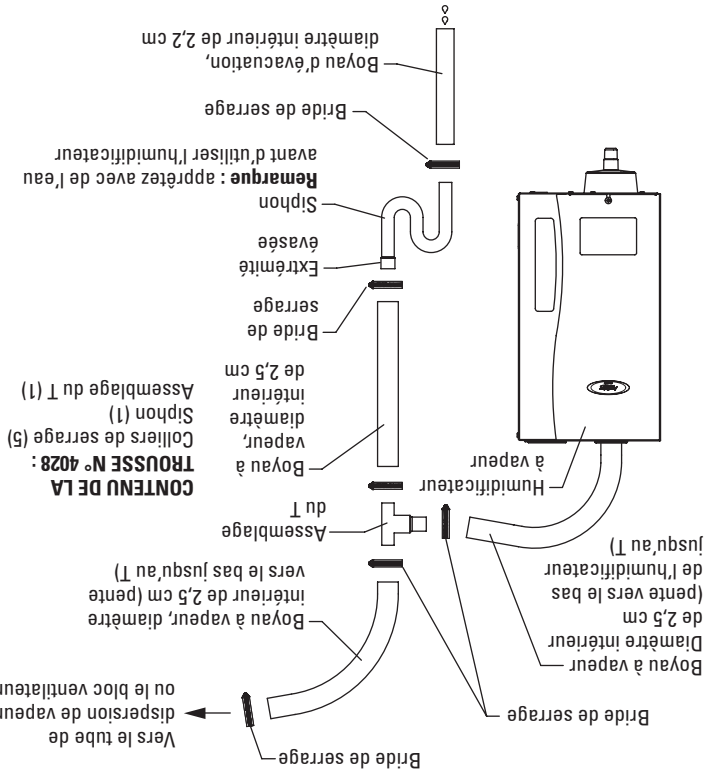


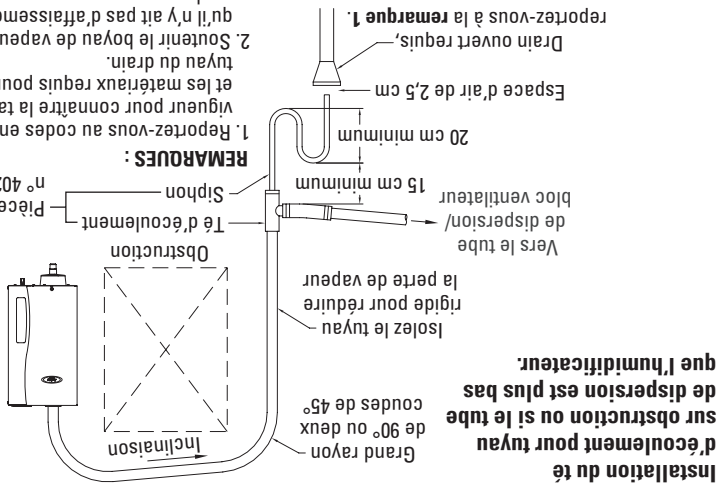
FIGURE 7

FIGURE 6



90-1844

FIGURE 5 – Tube de dispersion monté sous l'humidificateur



90-1520

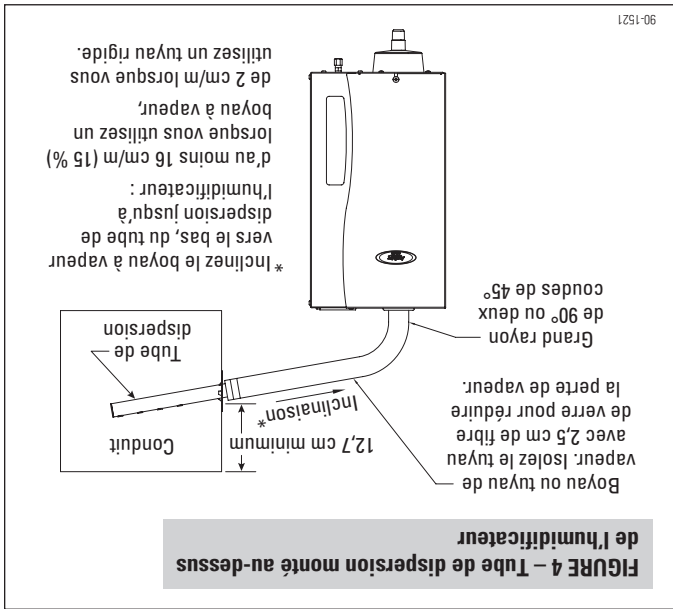
TABLAU 3 – Distance d'absorption (distance minimale du tube de dispersion en amont de toute obstruction ou courbe dans le conduit)

Capacité de l'humidificateur (litres/jour)	Vitesse du débit d'air*	21 °C et valeur de réglage de 30 % d'HR	21 °C et valeur de réglage de 45 % d'HR	18 °C et valeur de réglage de 45 % d'HR	Valeur de réglage de 7,2 °C et 45 % d'HR
Jusqu'à 60,6	91 m/min	33,0 cm	48,3 cm	58,4 cm	76,2 cm
	182 m/min	15,2 cm	25,4 cm	30,5 cm	45,7 cm
	364 m/min	7,6 cm	12,7 cm	15,2 cm	33,0 cm
	546 m/min	5,1 cm	7,6 cm	10,2 cm	25,4 cm
77,6 – 94,6	91 m/min	38,1 cm	58,4 cm	71,1 cm	114,3 cm
	182 m/min	15,2 cm	30,5 cm	33,0 cm	66,0 cm
	364 m/min	12,7 cm	15,2 cm	17,8 cm	48,3 cm
	546 m/min	7,6 cm	10,2 cm	12,7 cm	40,6 cm
94,6 – 132,5	91 m/min	61,0 cm	78,7 cm	91,4 cm	152,4 cm
	182 m/min	43,2 cm	55,9 cm	66,0 cm	121,9 cm
	364 m/min	30,5 cm	38,1 cm	45,7 cm	63,5 cm
	546 m/min	25,4 cm	33,0 cm	38,1 cm	50,8 cm

*Vitesse en mètres par minute = volume du débit d'air dans le conduit en centimètres cubes par minute / zone de conduit en mètres carrés.
Exemple : 34 m³ dans un conduit de 40,6 x 30,5 cm = 34/(40,6 x 30,5/10 000 cm²/m²) = 34/0,124 = 274 m/min

ELEVATION

L'emplacement préféré pour le tube de dispersion est à un endroit plus élevé que l'humidificateur afin que le boyau à vapeur ait une inclinaison négative constante d'au moins 16 cm par mètre de dispersion à l'humidificateur. Si vous utilisez un tuyau rigide, l'inclinaison peut être de 2 cm par mètre. Avec une inclinaison négative constante, toute condensation se formant dans le boyau à vapeur s'écoulera dans la cartouche de vapeur. Reportez-vous à la **Figure 4**.



DIRECTIVES D'INSTALLATION

⚠ MISE EN GARDE

Chaque humidificateur nécessite son propre boyaux à vapeur et tube de dispersion. Ne reliez pas des boyaux à vapeur provenant de plus d'un humidificateur ensemble. La surpression d'un humidificateur peut réduire le niveau d'eau dans la cartouche de l'autre humidificateur et causer des problèmes de fonctionnement.

N'installez pas le tube de dispersion dans un conduit dont la pression statique est supérieure à 500 Pa. Une pression élevée dans le conduit peut entraîner une surpression dans la cartouche et ainsi causer un fonctionnement instable de l'unité.

Ne montez pas l'humidificateur à un endroit où la température ambiante de fonctionnement dépasse 49 °C ou à un endroit où des températures inférieures au point de congélation peuvent se produire.

CHOISIR UN EMPLACEMENT

EMPLACEMENT DU TUBE DE DISPERSION

Pour choisir un emplacement pour le tube de dispersion, les trois éléments suivants doivent être considérés : l'emplacement dans le conduit, l'élévation en relation avec l'humidificateur et la distance entre l'humidificateur et le tube de dispersion.

Emplacement du conduit et distance d'absorption

La distance d'absorption, la distance en ligne droite non obstruée, requise pour que la vapeur soit entièrement absorbée, dépend de la vitesse de l'air, de la température ambiante et de l'humidité relative dans le conduit. **Déterminez la distance d'absorption selon la température la plus basse du conduit, la vitesse d'air la plus faible et l'humidité la plus élevée que le système connaîtra.** Le tube de dispersion doit être situé dans une section droite de conduit à une distance suffisante en amont de toute obstruction ou courbure dans le conduit. Utilisez le **Tableau 3** pour déterminer la bonne distance d'absorption.

Le fonctionnement durant des appels de climatisation n'est pas recommandé en raison du potentiel de condensation dans les conduits. Configurez les contrôles pour bloquer l'humidificateur durant les appels de climatisation et utilisez la fonction d'activation du ventilateur pour permettre à l'humidificateur de fonctionner avec le ventilateur seulement. Communiquez avec le service technique d'Apriliaire au 1-800-334-6011 pour obtenir des renseignements supplémentaires sur l'absorption de vapeur.

Le tube de dispersion doit être monté avec la plaque sur une surface verticale avec le tube incliné vers le haut comme dans la **Figure 4**. Les petits tubes de vapeur doivent être orientés vers le haut, quelle que soit la direction du débit d'air dans le conduit. La plaque est étiquetée « UP » (haut) pour indiquer l'orientation appropriée. Dans les courses de conduit horizontales, installez le tube de dispersion dans le bas du conduit, dans les courses verticales, centrez le tube dans le conduit. Si le tube de dispersion est monté sur un conduit isolé, assurez-vous que l'isolation ne mesure pas plus de 5 cm d'épaisseur à l'emplacement du tube pour empêcher de bloquer la première sortie de vapeur.

Remarque : Si des tubes de dispersion pour deux humidificateurs sont installés dans un conduit, doublez les distances de dispersion. Si trois tubes de dispersion sont installés, triplez la distance de dispersion. Placez les tubes de dispersion de manière à ce qu'un ne se décharge pas directement dans un autre.

Les minéraux qui se trouvent naturellement dans l'eau rendent l'eau électriquement conductrice. La conductivité de l'eau est mesurée en micro Siemens par centimètre (µS/cm). La teneur en minéraux, aussi décrite comme étant la « dureté de l'eau », est habituellement mesurée en grains par litre. En raison de la variété de minéraux se trouvant dans l'eau, il n'y a pas de corrélation directe entre la dureté et la conductivité de l'eau, mais généralement, plus la teneur en minéraux est élevée, plus la conductivité est élevée.

L'humidificateur à vapeur est conçu pour fonctionner avec de l'eau dont la conductivité varie entre 125 et 1 250 µS/cm. Cela correspond environ à une eau dont la dureté varie entre 0,8 et 9,5 grains par litre. L'eau qui est considérée comme étant « dure » et l'eau adoucie fonctionnent également bien dans l'humidificateur à vapeur. L'humidificateur produira de la vapeur lorsqu'il est relié à de l'eau à faible conductivité, mais il lui faudra plus de temps pour atteindre sa capacité nominale.

Avec de l'eau à faible conductivité, l'humidificateur à vapeur peut prendre une semaine ou plus de fonctionnement pour atteindre sa capacité nominale, particulièrement s'il est câblé pour fonctionner sur 120 volts. Lorsqu'il fonctionne sur 208/240 volts, l'humidificateur à vapeur atteint habituellement sa capacité nominale dans quelques heures, même avec une eau à faible conductivité.

Tandis que l'eau dans la cartouche bout et se transforme en vapeur, les minéraux sont laissés derrière. Les minéraux qui restent dans la solution augmentent la conductivité de l'eau. Les minéraux se déposent aussi sur les parties submergées des électrodes ce qui rend ces zones inefficaces. Dans ce cas, le niveau d'eau dans la cartouche augmente pour exposer la surface non enrobée des électrodes.

Il y a des avantages et des désavantages à prendre en considération lorsque l'application permet de choisir entre de l'eau dure et de l'eau adoucie :

Eau dure : l'avantage de l'eau dure est la réduction de la fréquence des remplissages et des évacuations comparativement à l'eau adoucie, ce qui signifie une meilleure efficacité énergétique et de l'eau et une production plus constante de vapeur. Cependant, la cartouche doit être remplacée plus souvent avec de l'eau dure parce que les dépôts de minéraux enrobent les électrodes. Plus l'eau est dure, plus souvent la cartouche doit être remplacée par une neuve.

Eau adoucie : l'avantage de l'eau adoucie est une durée utile plus longue de la cartouche (selon la chimie de l'eau) qu'avec de l'eau dure parce que l'eau adoucie n'enrobe pas les électrodes autant que l'eau dure. Cependant, les ions d'eau adoucie demeurent dans la solution dans des concentrations beaucoup plus élevées que celles de l'eau dure. Cela nécessite des purges et des remplissages plus fréquents, ce qui entraîne une réduction de l'efficacité énergétique, une plus grande consommation d'eau et une production de vapeur moins constante.

TABLAU 2 – Directives de qualité d'eau

Conductivité (µS/cm de l'eau reliée à l'humidificateur)	Grains/litre estimés (avant tout adoucissement de l'eau)	Dureté (avant tout adoucissement de l'eau)	Comportement de la cartouche	Solution
0-125	0-0,8	Naturellement douce	L'humidificateur ne fonctionne pas.	Installation non recommandée.
125-300	0,8-2,1	Naturellement douce	Longue durée de démarrage.	Alimentez avec 208/240 volts en continu pour diminuer la durée requise pour atteindre la pleine capacité.
300-500	2,1-4,0	Légèrement dure	Étendue de performance optimale.	Utilisez de l'eau dure ou adoucie.
500-640	4,0-5,3	Moyennement dure		
640-840	5,3-6,6	Dure		
840-1250	6,6-9,5	Très dure	Durée utile de la cartouche réduite en raison de l'accumulation de minéraux.	Utilisez de l'eau adoucie.
Supérieure à 1 250	9,5	Extrêmement dure	La performance de la cartouche diminue rapidement.	Installation non recommandée.

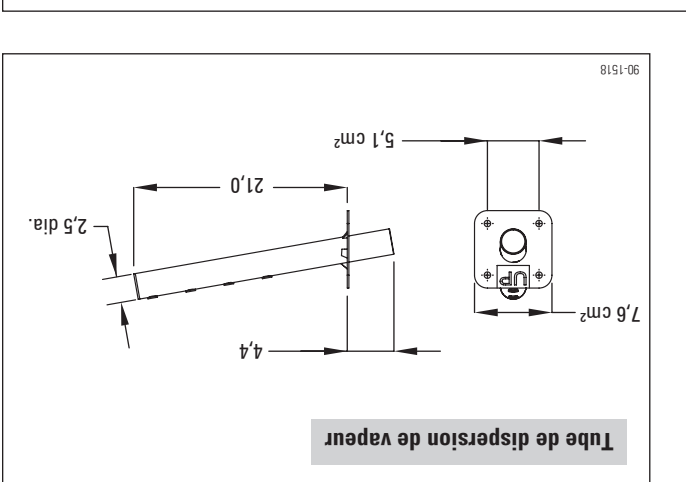
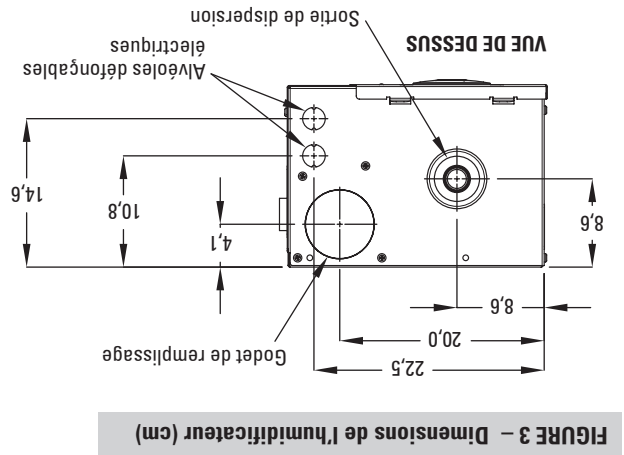
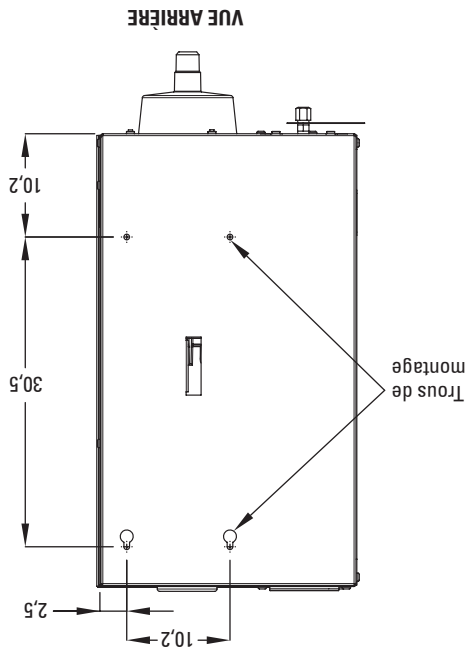
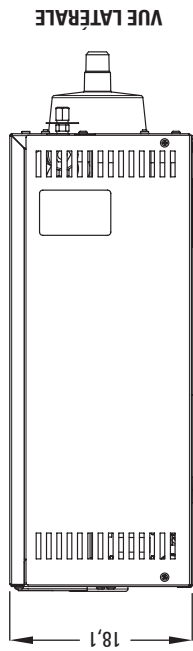
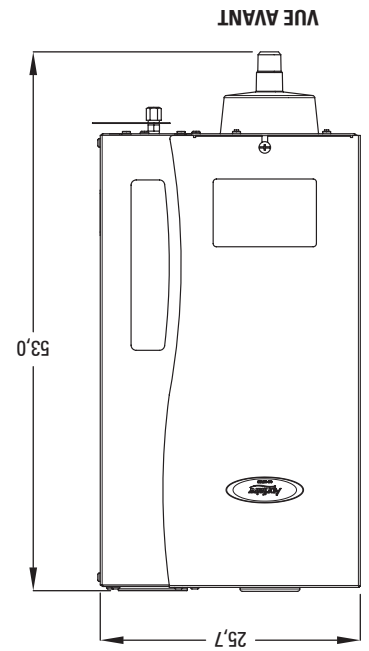
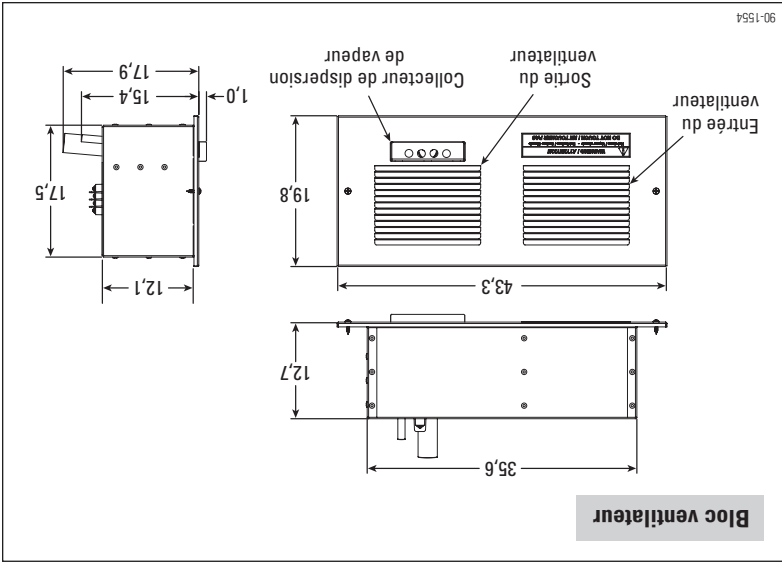
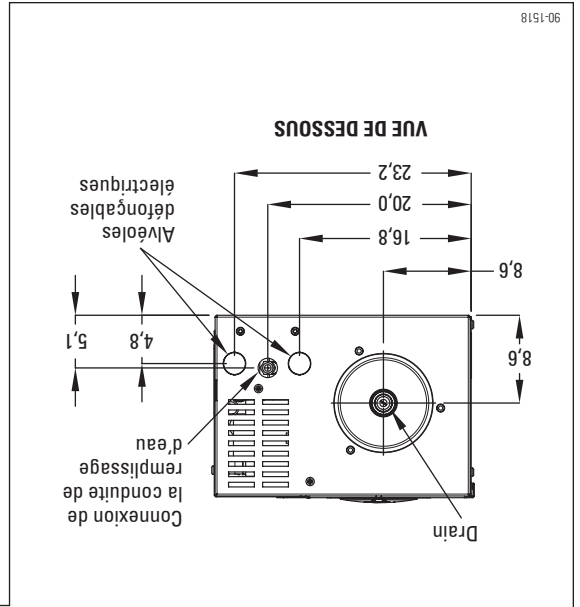


FIGURE 3 – Dimensions de l'humidificateur (cm)

Cet humidificateur peut produire de la vapeur à diverses capacités selon la tension et le courant appliqués. L'unité peut être câblée pour utiliser une tension d'admission de 120, 208 ou 240 volts et une intensité d'admission de 1,5 ou 16,0 ampères en modifiant le commutateur DIP sur la carte de circuits imprimés de contrôle (reportez-vous à la section Câblage de l'alimentation électrique et interrupteur d'arrêt à la page 13). Configurez l'unité correctement pour l'application (reportez-vous au **Tableau 1** pour connaître les spécifications de capacité).

TABLAU 1 – Capacités de l'humidificateur et tailles de résidence recommandées

Intensité	Tension	Capacité maximale de vapeur (litres/jour)	Taille de résidence maximale recommandée en m ² *	
			Élevée	Moyenne
11,5	120 volts	43,5	230 m ²	138 m ²
	208 volts	77,6	414 m ²	230 m ²
	240 volts	88,2	414 m ²	230 m ²
16,0	120 volts	60,6	322 m ²	184 m ²
	208 volts	113,6	552 m ²	368 m ²
	240 volts	131,0	552 m ²	368 m ²

*Assume des plafonds de 2,4 m, ajustez au besoin pour des plafonds plus hauts. Pour les résidences ayant plusieurs fournaises/appareils de traitement d'air, un humidificateur doit être installé sur chacun d'entre eux.

Poids d'expédition du modèle 800 : 12,7 kg

Poids d'expédition du modèle 865 : 17,7 kg

Poids de fonctionnement de l'humidificateur : 10,4 kg**

**Lorsque les minéraux se précipitent, le poids de l'unité peut augmenter jusqu'à environ 13,6 kg.

L'humidificateur à vapeur Aprilaire® fournit de l'humidité sous forme de vapeur dans l'espace climatisé par l'entremise des conduits du système de CVC ou d'un bloc ventilateur. L'humidificateur génère de la vapeur en émergeant deux électrodes qui se prolongent dans une cartouche d'eau. Le courant s'écoulant entre les électrodes fait bouillir l'eau pour ainsi créer de la vapeur. L'eau est introduite dans l'humidificateur grâce à un robinet de remplissage vers un godet de remplissage situé dans la partie supérieure de l'armoire. Le godet de remplissage sert de réservoir de débordement et fournit un espace d'air entre l'humidificateur et la source d'eau. La cartouche de vapeur est remplie à partir du fond. La cartouche est appuyée sur un godet d'évacuation qui comprend un robinet de purge. Le drain et les robinets de remplissage fonctionnent ensemble pour maintenir le niveau d'eau dans la cartouche et fournir la capacité nominale de vapeur selon la conductivité électrique de l'eau et pour tempérer l'eau d'évacuation. Reportez-vous à la **Figure 1** pour une représentation du système de remplissage et d'évacuation et de la cartouche.

Pour contrôler l'humidificateur à vapeur au sein du système de CVC, la commande automatique numérique d'humidificateur (CANH) modèle 62 est installée pour déceler le niveau d'HR dans le conduit. Lorsque la CANH détecte une HR inférieure au point de réglage, et que l'humidificateur et le ventilateur du système de CVC fonctionnent, l'humidificateur amorce les électrodes pour fournir de la vapeur. La vapeur est fournie dans les conduits par l'entremise du boyau à vapeur et à travers le tube de dispersion. Le tube de dispersion est muni d'une ouverture appelée « Tubellets™ » (petits tubes). La conception du tube de dispersion et des petits tubes distribue la vapeur dans une vaste zone du conduit et retourne toute humidité condensée dans le boyau à vapeur. La fonction d'activation du ventilateur sur la CANH permet à la commande de mettre le ventilateur du système de CVC en marche pour maintenir le niveau d'HR approprié même lorsque la fourniture ou l'appareil de traitement d'air se trouvent en mode d'attente. Reportez-vous au manuel d'installation de la CANH.

L'humidité peut être distribuée directement dans l'espace habitable par l'entremise du bloc ventilateur. Lorsque l'humidostat numérique manuel modèle 65 détecte une HR inférieure au point de réglage, l'humidificateur amorce les électrodes pour fournir de la vapeur par l'entremise du collecteur de vapeur au fond du bloc ventilateur. La vapeur est dispersée par le ventilateur situé derrière la grille au-dessus du collecteur de vapeur. Le ventilateur fonctionne pendant deux minutes après la fin de la demande d'humidité pour disperser toute vapeur résiduelle.

Pour fournir un contrôle précis à l'humidificateur à vapeur modulant, la commande modulante numérique automatique (CMNA) doit être installée dans l'espace habitable. La CMNA fera varier le rendement de l'humidificateur à vapeur modulant selon la différence entre le point de réglage et l'HR réelle. La CMNA envoie un signal proportionnel à l'humidificateur à vapeur modulant pour fournir un contrôle précis de l'humidité dans l'espace habitable. Reportez-vous à la **Figure 2** pour voir la comparaison entre le rendement de l'humidificateur à vapeur et la demande d'HR. La CMNA peut être utilisée au lieu de la CANH et un humidostat numérique manuel pour fournir un contrôle marche/arrêt à l'humidificateur à vapeur non muni de cette fonction modulante. Reportez-vous à l'installation de la CMNA et au manuel d'utilisation pour tous les détails.

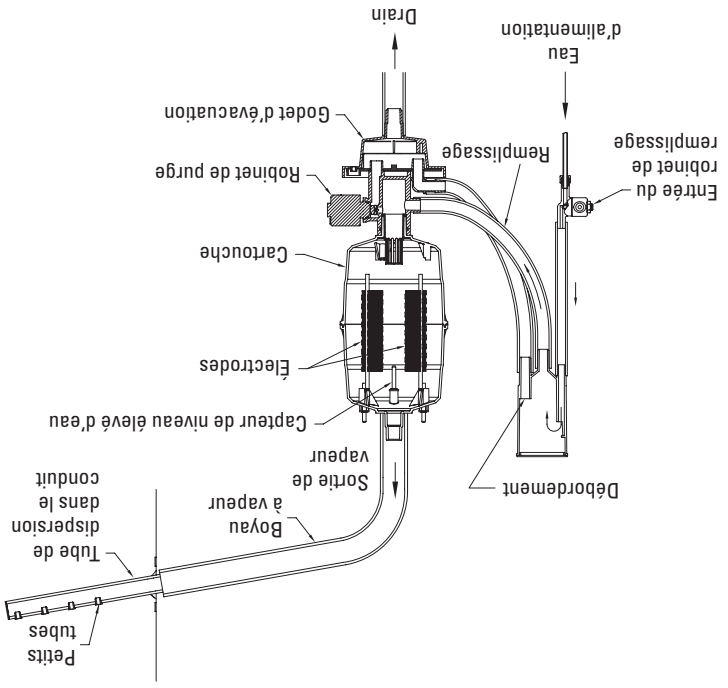


FIGURE 1 – Système de remplissage et d'évacuation et cartouche

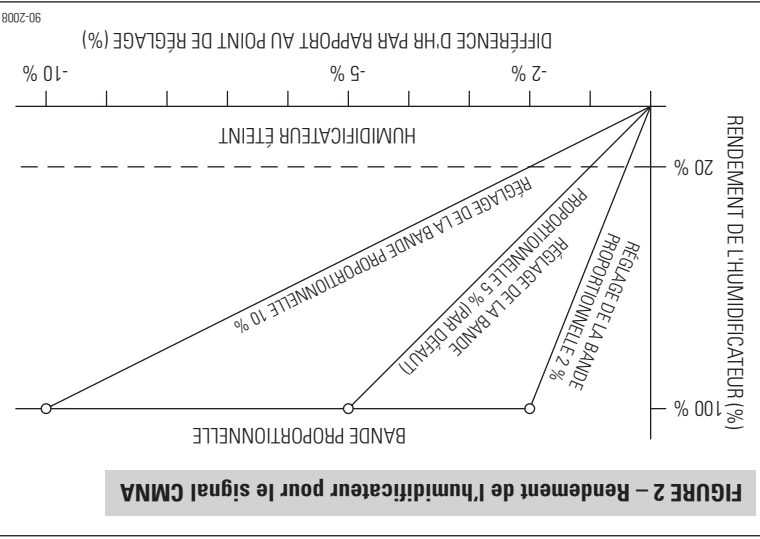


FIGURE 2 – Rendement de l'humidificateur pour le signal CMNA

90-2008

MODÈLES 800 ET 865

MATÉRIAUX FOURNIS AVEC LE MODÈLE 800

Humidificateur

Commande automatique numérique d'humidificateur modèle 62

Tube de dispersion

Boyaux à vapeur (1,8 m)

Tuyauterie d'évacuation de 22 mm de diamètre intérieur (3 m)

Brides de serrage

Robinet-valve à évier

Vis de montage

MATÉRIAUX SUPPLÉMENTAIRES FOURNIS AVEC LE MODÈLE 865

Bloc ventilateur (au lieu du tube de dispersion)

Humidostat numérique modèle 65 (au lieu de la CANH modèle 62)

4 vis de montage du boîtier

2 connecteurs de robinet

2 attache-câbles

2 vis de montage de la grille

Tube de condensation en néoprène - 0,9 cm de diamètre intérieur (30 m)

Assemblage du té d'évacuation et du siphon modèle 4028

NON FOURNIS

Interrupteur d'alimentation principale

Câblage

Tuyauterie d'eau d'alimentation de 6 mm de diamètre extérieur

Panneaux pour le montage (si nécessaire)

MODÈLES 801 ET 866

MATÉRIAUX FOURNIS AVEC LE MODÈLE 800

Humidificateur

Tube de dispersion

Boyaux à vapeur (1,8 m)

Tuyauterie d'évacuation de 22 mm de diamètre intérieur (3 m)

Brides de serrage

Robinet-valve à évier

Vis de montage

MATÉRIAUX SUPPLÉMENTAIRES FOURNIS AVEC LE MODÈLE 865

Bloc ventilateur (au lieu du tube de dispersion)

4 vis de montage du boîtier

2 connecteurs de robinet

2 attache-câbles

2 vis de montage de la grille

Tube de condensation en néoprène - 0,9 cm de diamètre intérieur (30 m)

Assemblage du té d'évacuation et du siphon modèle 4028

NON FOURNIS

Commande modulante numérique automatique modèle 63

Interrupteur d'alimentation principale

Câblage

Tuyauterie d'eau d'alimentation de 6 mm de diamètre extérieur

Panneaux pour le montage (si nécessaire)

<p>PRÉCAUTIONS DE SÉCURITÉ</p>
<p>À L'INTENTION DE L'INSTALLATEUR</p> <p>Lisez ce manuel avant d'effectuer l'installation. Ce produit doit être installé par des entrepreneurs en électricité et en CVC qualifiés et en conformité avec les codes locaux, provinciaux, fédéraux et en vigueur. Une mauvaise installation peut causer des dommages matériels, des blessures graves ou la mort découlant d'un choc électrique, de brûlures ou d'un incendie.</p> <p>Lisez toutes les mises en garde et les directives.</p> <p>Lisez ce manuel avant d'effectuer toute procédure de service ou d'entretien sur toute pièce du système. Le non-respect des mises en garde et des directives pourrait provoquer les situations dangereuses décrites et causer des dommages matériels, des blessures ou la mort.</p> <p>Le non-respect des directives se trouvant dans ce manuel peut entraîner une accumulation d'humidité, ce qui peut causer des dommages à la structure et aux meubles.</p>
<p>SURFACES CHAUDES ET EAU CHAUDE</p> <p>Les surfaces de ce système d'humidification à la vapeur sont extrêmement chaudes. L'eau dans la cartouche de vapeur, les tuyaux à vapeur et le tube de dispersion peut atteindre une température de 100 °C (212 °F). La vapeur évacuée n'est pas visible. Le contact avec les surfaces chaudes, l'eau chaude évacuée ou l'air dans lequel la vapeur a été évacuée peut causer des blessures graves. Pour éviter les brûlures graves, suivez les directives de ce manuel lorsque vous effectuez toute procédure de service ou d'entretien sur toute pièce du système.</p>
<p>DÉBRANCHEMENT DE L'ALIMENTATION ÉLECTRIQUE</p> <p>Débranchez l'alimentation électrique avant d'installer le câblage d'alimentation ou d'effectuer toute procédure de service ou d'entretien sur toute pièce du système d'humidification. Le non-respect de cette directive peut causer un incendie, un choc électrique et d'autres situations dangereuses. Ces situations dangereuses pourraient causer des dommages matériels, des blessures ou la mort.</p> <p>Tout contact avec des circuits sous tension peut causer des dommages matériels, des blessures graves ou la mort découlant d'un choc électrique ou d'un incendie. Ne retirez pas les panneaux d'accès à moins que l'alimentation électrique ne soit débranchée.</p> <p>Respectez la procédure d'arrêt décrite dans ce manuel avant d'effectuer toute procédure de service ou d'entretien sur toute pièce du système.</p>
<p>DANGER DE CHOC ÉLECTRIQUE</p> <p>Si l'humidificateur se met en marche en réponse à une demande d'humidité pendant une procédure d'entretien, des blessures graves ou mortelles peuvent survenir à la suite d'un choc électrique. Respectez les procédures décrites dans ce manuel avant d'effectuer toute procédure de service ou d'entretien sur cet humidificateur.</p>
<p>PRESSION EXCESSIVE DE L'EAU D'ALIMENTATION</p> <p>Une pression de l'eau d'alimentation supérieure à 8,2 bars peut causer le débordement de l'humidificateur.</p>
<p>REBORDS TRANCHANTS</p> <p>Les rebords tranchants peuvent causer des blessures graves découlant de coupures. Faites attention lorsque vous coupez les ouvertures de la chambre de répartition d'air et manipulez le réseau de conduits.</p>
<p>EXCÉDENT D'HUMIDITÉ</p> <p>Ne réglez pas l'humidité à un niveau supérieur à celui recommandé. La condensation peut causer des dommages à la structure ou à lameublement.</p>

Humidificateur à vapeur de la série 800 Directives d'installation et d'entretien



TABLE DES MATIÈRES

2	Précautions de sécurité	12	Installation du boyau à vapeur
3	Liste de matériaux	12	Montage de l'humidificateur
4	Principes et séquence de fonctionnement	12	Installation du tube de dispersion de vapeur/bloc ventilateur
5	Spécifications et dimensions	12	Préparation de l'humidificateur pour le montage
8	Directives d'installation	11	- Emplacement de l'humidificateur
8	Choisir un emplacement	10	- Distance de l'humidificateur au tube de dispersion/bloc ventilateur
8		9	- Élévation
8		8	- Emplacement du tube de dispersion
13	Conduite d'évacuation	21	Cablage de la commande modulante numérique automatique
13	Cablage de l'alimentation électrique et interrupteur d'arrêt	20	Cablage de l'humidostat manuel numérique et du bloc ventilateur
18	Cablage accessoire et de la commande numérique automatique	19	Thermostat dans un système de CVC zone
23	Procédure de démarrage	24	Modes de fonctionnement
24		25	Procédure de fermeture
25	Panneau d'affichage	26	Entretien
27	Guide de dépannage	30	Pièces de rechange

LIRE ET CONSERVER CES DIRECTIVES



P.O. Box 1467 • Madison, WI 53701-1467 E.-U. • Téléphone : 800/334-6011 • Fax : 608/257-4357 • www.aprilairepartners.com