



## Installation Instructions

Part No: CRSOUBLN001A00, CRSOUBLN002A00, CRSOUBLN003A00,  
CRSOUBLN004A01, CRSOUBLN005A01, CRSOUBLN006A00 and  
CRSOUBLN007A00

### SAFETY CONSIDERATIONS

Installation and servicing of air-conditioning equipment can be hazardous due to system pressure and electrical components. Only trained and qualified service personnel should install, repair, or service air-conditioning equipment.

Untrained personnel can perform basic maintenance functions of cleaning coils and filters and replacing filters. All other operations should be performed by trained service personnel. When working on air-conditioning equipment, observe precautions in the literature, tags and labels attached to the unit, and other safety precautions that may apply.

Follow all safety codes, including ANSI (American National Standards Institute) Z223.1. Wear safety glasses and work gloves. Use quenching cloth for unbrazing operations. Have fire extinguisher available for all brazing operations.

**⚠ WARNING**

Electrical shock can cause personal injury and death. Shut off all power to this equipment during installation. There may be more than one disconnect switch. Tag all disconnect locations to alert others not to restore power until work is completed.

### INTRODUCTION

This accessory package is intended for use with 48/50A, 48/50N and 48/50P units. See Table 1 for accessory package usage. Part no. CRSOUBLN002A00 is for tandem compressors. All other part numbers are for single compressor.

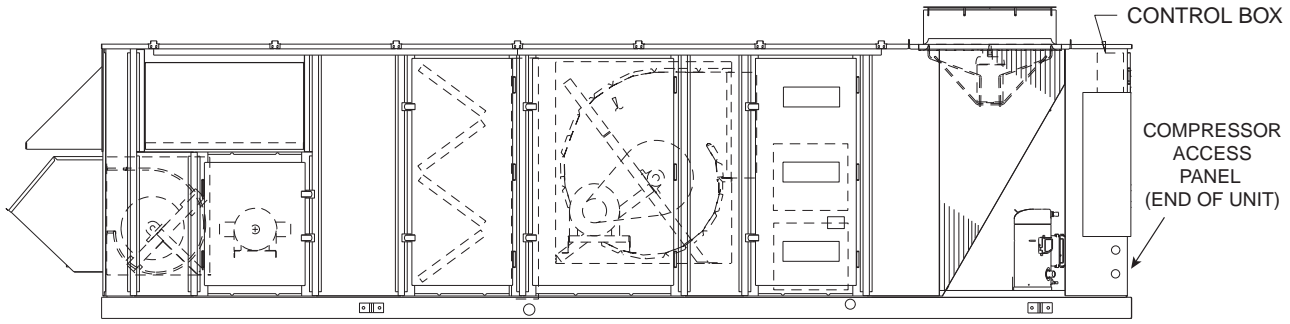
The following are the procedures to install the low sound compressor blanket.

### 48/50P INSTALLATION

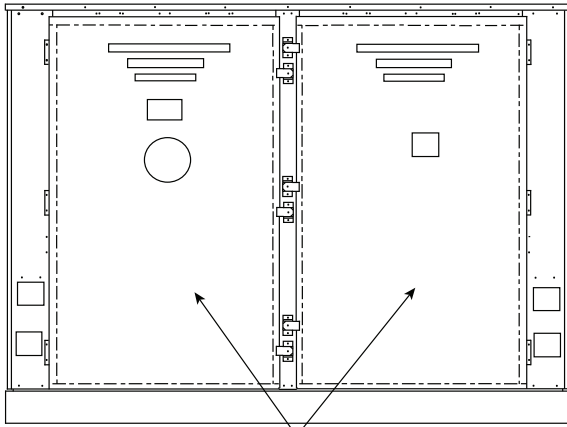
1. 48/50P 030-060 unit sizes:
  - a. Remove optional security grilles if present.
  - b. Access compressor section through opening on end or side of unit. See Fig. 1.
  - c. Remove or open 2 compressor access panels or doors. See Fig. 1-3.
- 48/50P 070-100 unit sizes:
  - a. Remove optional condenser grilles, if present.
  - b. Access compressors from side and end of the unit. See Fig. 4.

**Table 1 — Accessory Package Usage**

UNIT	SIZE	ACCESSORY PART NO.	QTY
<b>48/50P with and without Digital Compressor Option</b>	030,035	CRSOUBLN001A00	2
	040	CRSOUBLN001A00	3
	050-075	CRSOUBLN001A00	4
	090-100	CRSOUBLN001A00	6
<b>48/50A without Digital Compressor Option</b>	020, 025, 027 CKT A	CRSOUBLN002A00	1
	020, 025, 027 CKT B	CRSOUBLN003A00	1
	030 CKT A, CKT B	CRSOUBLN002A00	2
	035 CKT A	CRSOUBLN002A00	1
	035 CKT B	CRSOUBLN005A01	2
	040, 050 CKT A, CKT B	CRSOUBLN005A01	4
	060 CKT A, CKT B	CRSOUBLN001A00	4
	020, 025, 027 CKT A	CRSOUBLN002A00	1
<b>48/50A with Digital Compressor Option</b>	020, 025, 027 CKT B	CRSOUBLN007A00	1
	030 CKT A	CRSOUBLN004A01	2
	030 CKT B	CRSOUBLN002A00	1
	035 CKT A	CRSOUBLN002A00	1
	035 CKT B	CRSOUBLN005A01	2
	040, 050 CKT A, CKT B	CRSOUBLN005A01	4
	060 CKT A, CKT B	CRSOUBLN006A00	4
	75 Ton	CRSOUBLN001A00	5
<b>48/50N with and without Digital Compressor Option</b>	90 and 105 Ton	CRSOUBLN001A00	6
	120, 130, and 150 Ton	CRSOUBLN001A00	8

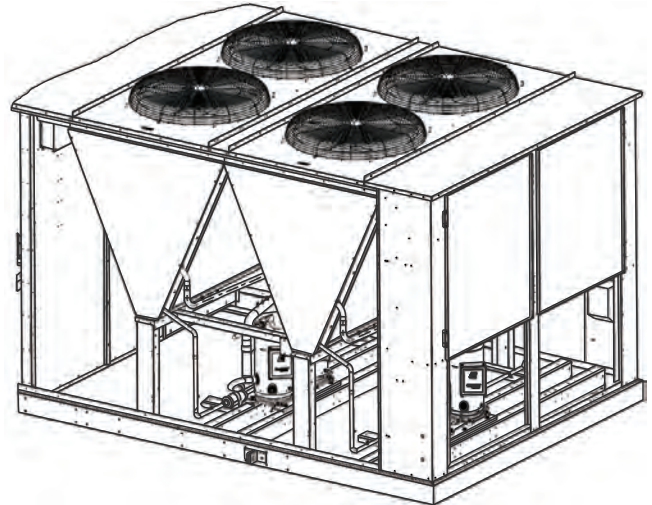


**Fig. 1 — 48P030,035 Compressor Access**

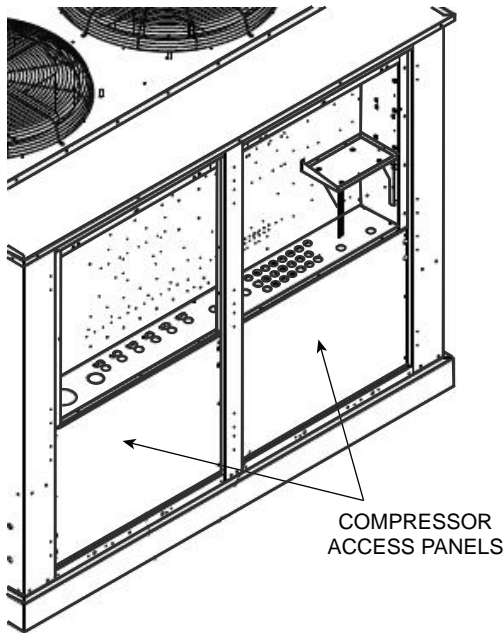


COMPRESSOR  
ACCESS PANELS

**Fig. 2 — Compressor Access, 48/50P 040,050 Sizes**

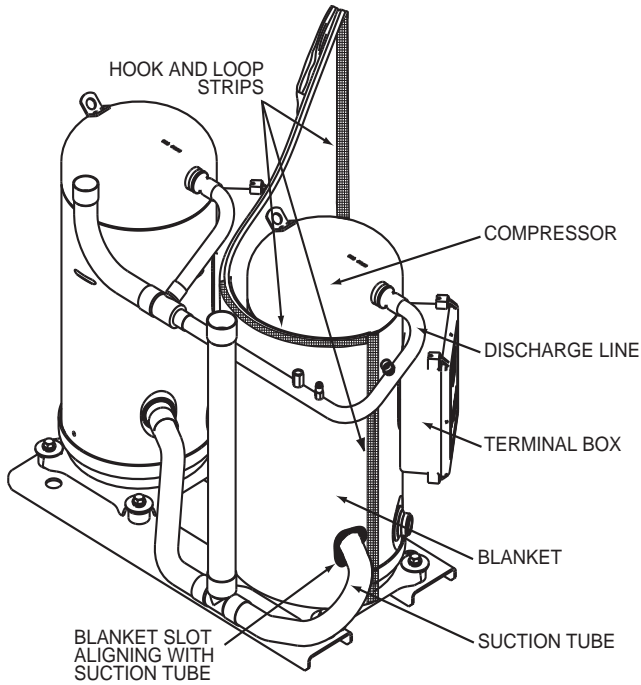


**Fig. 4 — 48/50P 070-100 Sizes**

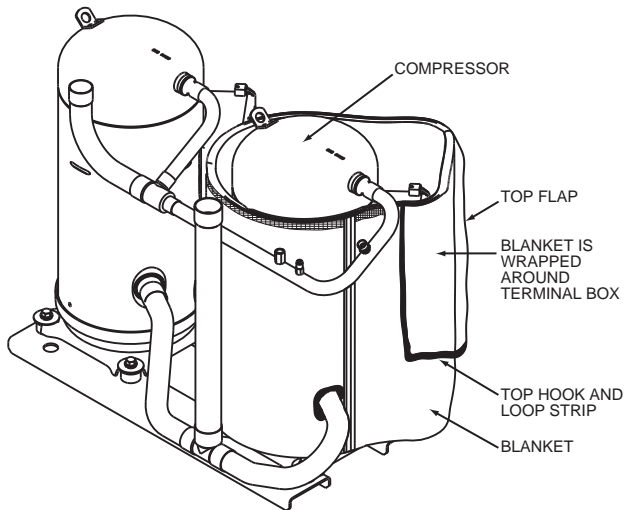


**Fig. 3 — Compressor Access Panel,  
48/50P 055,060 Sizes Shown**

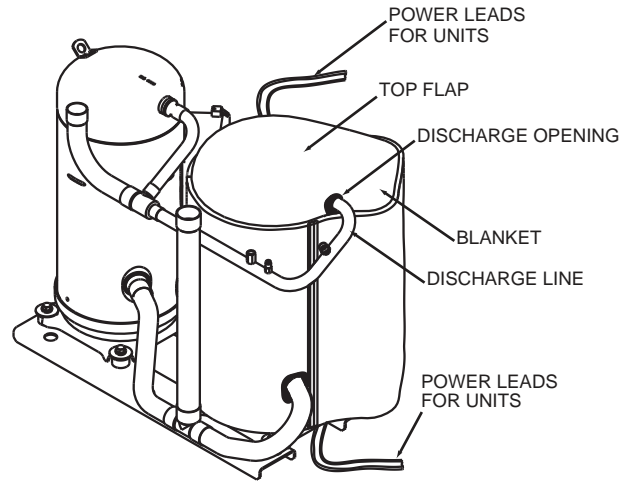
2. Wrap the sound blanket around the compressor in clockwise direction. See Fig. 5.
  3. Align the slots in the blanket with the suction tube on the compressor. See Fig. 5.
  4. Secure the blanket near suction tube with the hook and loop strips. See Fig. 5.
  5. Wrap the blanket around the compressor terminal box. See Fig. 6.
  6. Attach the hook and loop strips on the vertical seam to secure the blanket to the compressor. See Fig. 6.
  7. Attach top flap of blanket with the hook and loop strips while aligning the discharge opening with the discharge line. See Fig. 7.
- NOTE: All wires pass under the blanket.
8. Repeat Steps 2 through 7 for installation of sound blankets on all compressors.
  9. Replace the compressor access panels and security grilles where used.



**Fig. 5 — Align Blanket Slots with Suction Tube for Single Compressors**



**Fig. 6 — Wrap and Secure Sound Blanket Around Compressor and Terminal Box for Single Compressors**

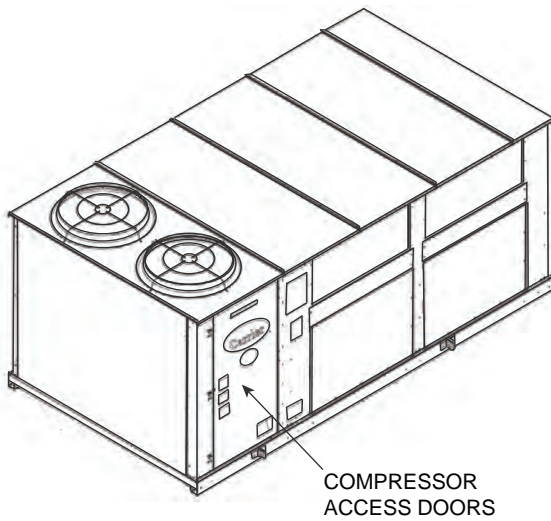


**Fig. 7 — Attach Top Flap of Blanket with Hook and Loop Strip for Single Compressors**

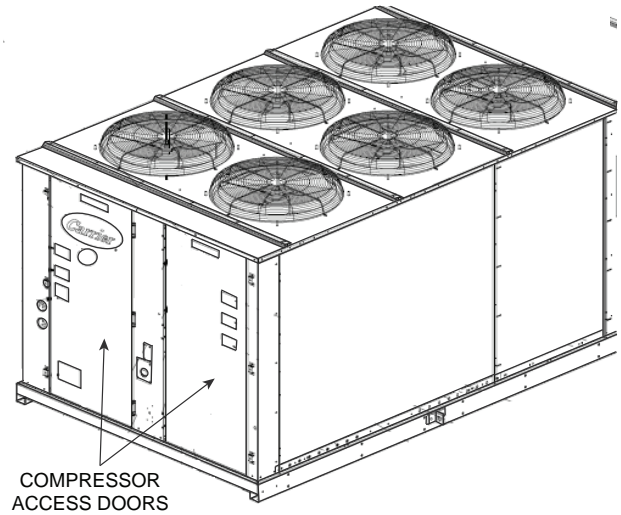
### 48/50A INSTALLATION

The 48/50A units use part numbers CRSOUBLN001A00, CRSOUBLN003A00, CRSOUBLN004A01, CRSOUBLN005A01, CRSOUBLN006A00, and CRSOUBLN007A00 for single compressors and part number CRSOUBLN002A00 for tandem compressors.

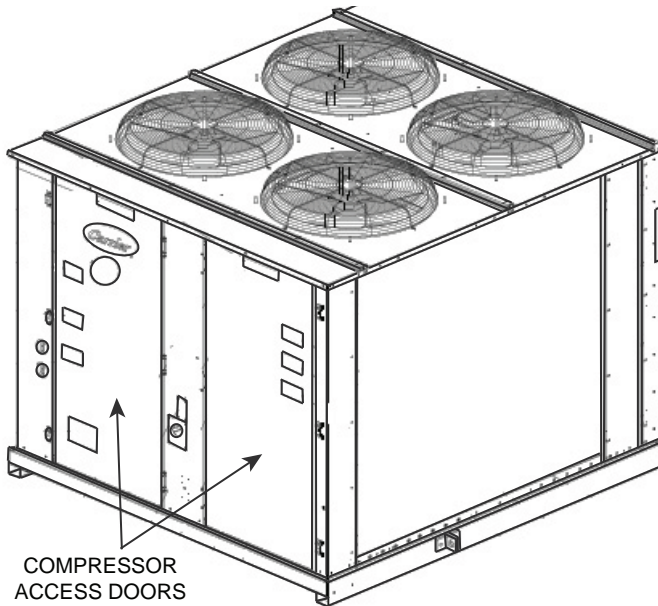
1. 48/50A 020-035 unit sizes:
  - a. Open the compressor access door as shown in Fig. 8.
  - b. Access compressors through side of unit.
- 48/50A 040-050 unit sizes:
  - a. Open the compressor access doors. See Fig. 9.
  - b. Access compressors through end of unit.
- 48/50A 060 unit sizes with round tube-plate fin condenser coils:
  - a. Open the compressor access doors. See Fig. 10.
  - b. Access compressors from end of unit.
- 48/50A 060 unit sizes with microchannel condenser coil:
  - a. Remove optional condenser grilles if equipped. See Fig. 11.
  - b. Access compressors through side or end of unit.



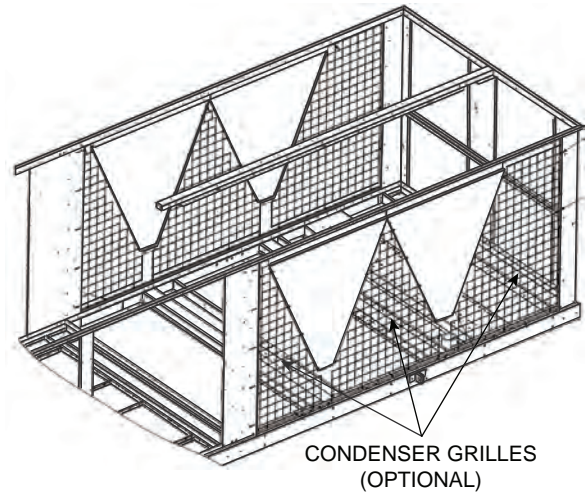
**Fig. 8 — Compressor Access Door  
48/50A 020-035 Sizes**



**Fig. 10 — 48/50A 060 Size Compressor  
Access Door**

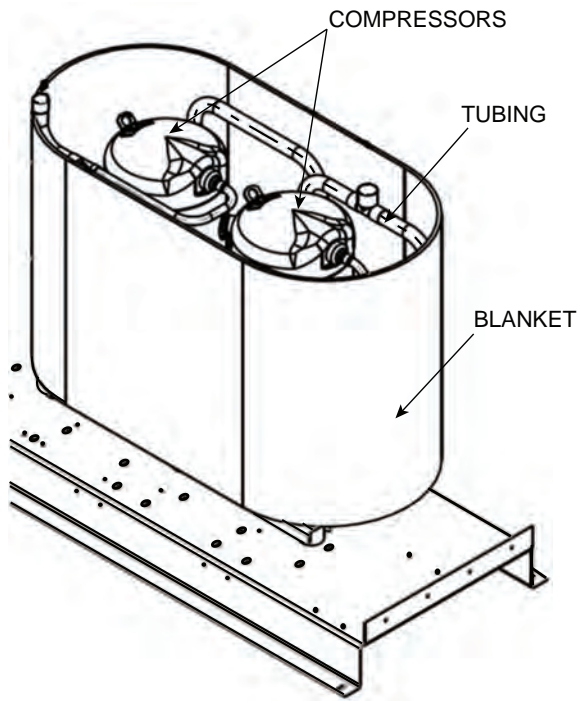


**Fig. 9 — Compressor Access Doors  
48/50A 040,050 Sizes**

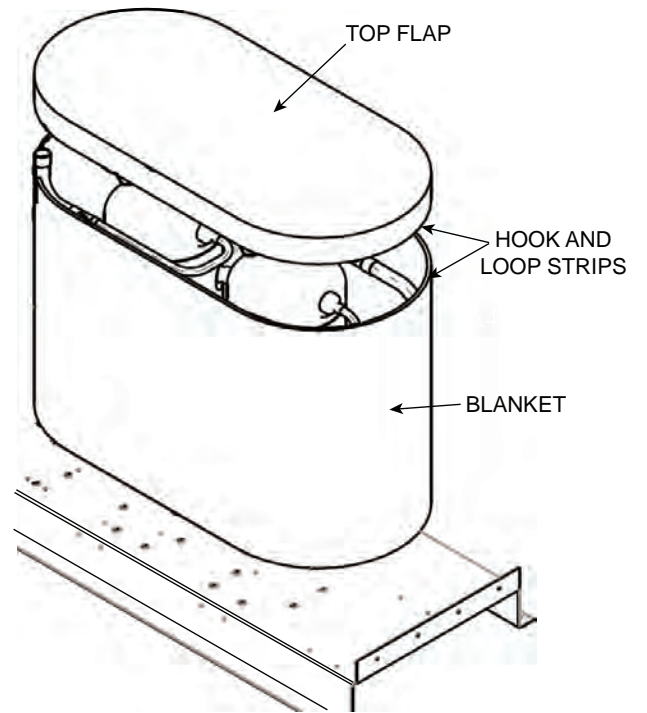


**Fig. 11 — 48/50A 060 Size Compressor Access**

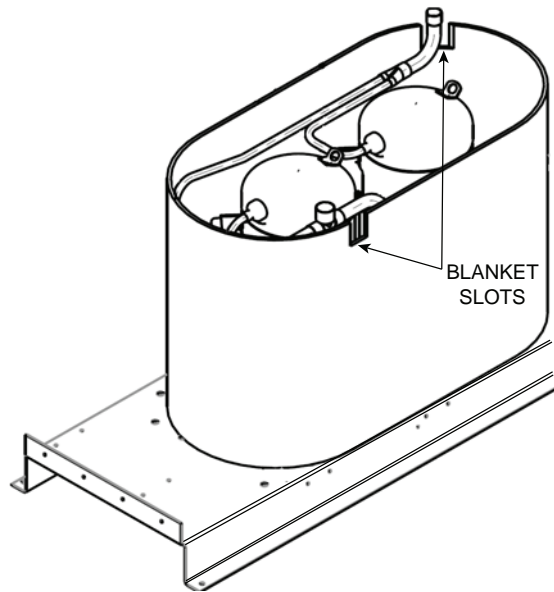
2. Wrap the sound blanket around the compressors and tubing in clockwise direction. See Fig. 5 for single compressors and Fig. 12 for tandem compressors.
  3. Align the slots in the blanket with the suction tube on the compressor. See Fig. 5 for single compressors and Fig. 13 for tandem compressors.
  4. Secure the blanket near suction tube with the hook and loop strip strips. See Fig. 5 for single compressors and Fig. 13 for tandem compressors.
  5. Wrap the blanket around the compressor terminal box. See Fig. 6 for single compressors and Fig. 13 for tandem compressors.
  6. Attach the hook and loop seam to secure the blanket to the compressor. See Fig. 6 for single compressors and Fig. 13 for tandem compressors.
  7. Attach top flap of blanket with the hook and loop strips while aligning the discharge opening with the discharge line. See Fig. 7 for single compressors and Fig. 14 for tandem compressors.
- NOTE: All wires pass under the blanket.
8. Repeat Steps 2 through 7 for installation of sound blanket to all compressors.



**Fig. 12 — Compressor Blanket Around Pipe and Compressors for Tandem Compressors**



**Fig. 14 — Attach Top Flap of Blanket with Hook and Loop Strip for Tandem Compressors**



**Fig. 13 — Align and Secure Blanket Slots with Suction Tube for Tandem Compressors**

## 48/50N INSTALLATION

The 48/50N units use multiples of the CRSOUNBLN001A00 kit, one per compressor.

1. Remove security grilles or louvers from condenser section if present.
  2. Access compressor from both sides of unit. See Fig. 15.
  3. Wrap the sound blanket around the compressor in clockwise direction. See Fig. 5.
  4. Align the slots in the blanket with the suction tube on the compressor. See Fig. 5.
  5. Secure the blanket near suction tube with the hook and loop strips. See Fig. 5.
  6. Wrap the blanket around the compressor terminal box See Fig. 6.
  7. Attach the hook and loop strips on the vertical seam to secure the blanket to the compressor. See Fig. 6.
  8. Attach top flap of blanket with the hook and loop strips while aligning the discharge opening with the discharge line. See Fig. 7.
- NOTE: All wires pass under the blanket.
9. Repeat Steps 3 through 8 for installation of sound blankets on all compressors.
  10. Replace the compressor access panels and security grilles where used.

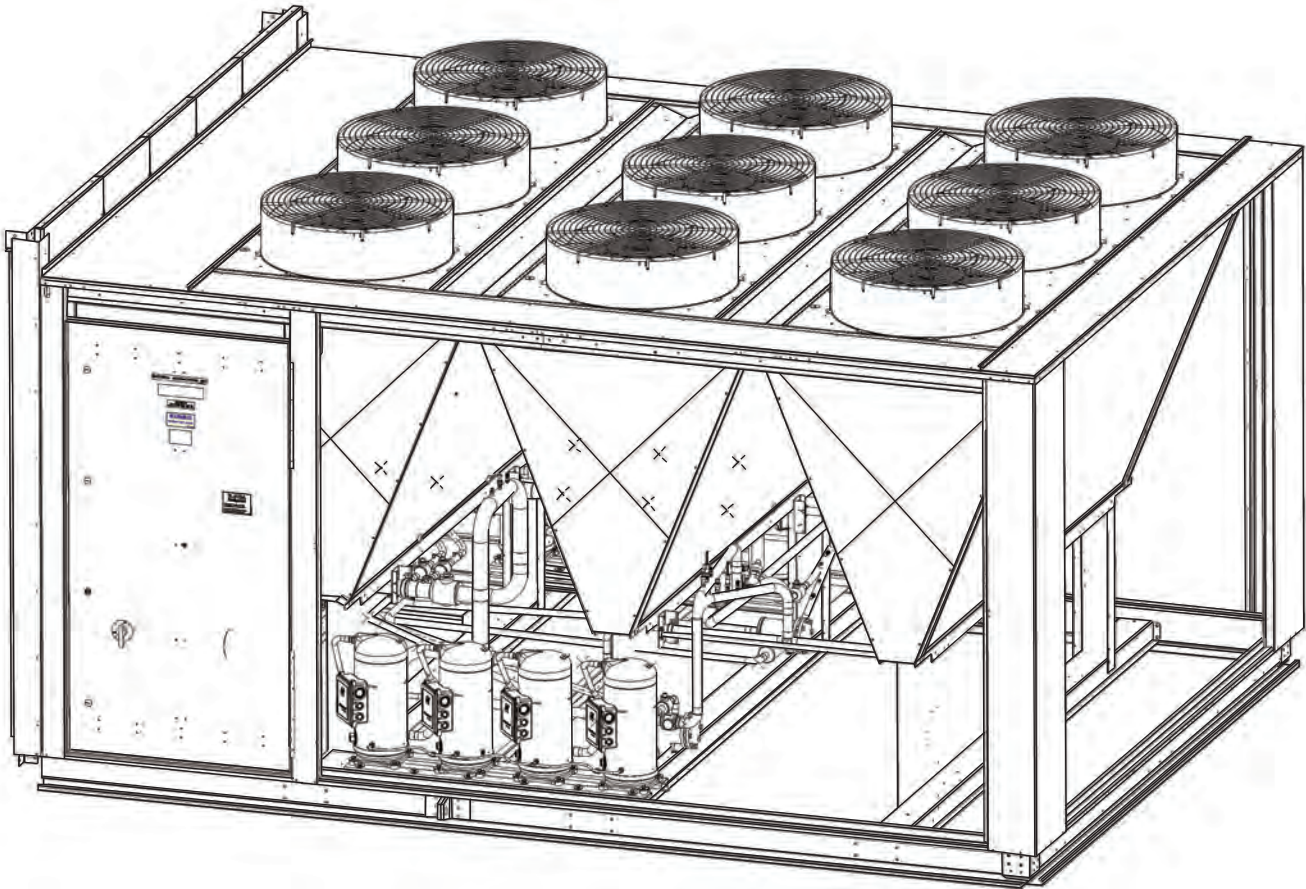


Fig. 15 — 48/50N Units Compressor Access



