

Installation Instructions


Part Nos.
CAPLENUM001A00 – CAPLENUM006A00 (Plenum),
CARAGRIL001A00 – CARAGRIL006A00 (Return-Air Grille)

SAFETY CONSIDERATIONS

Installation of this accessory can be hazardous due to electrical components and equipment location (such as a ceiling or elevated structure). Only trained, qualified installers and service mechanics should install and service this equipment.

When installing this accessory, observe precautions in the literature, labels attached to the equipment, and any other safety precautions that apply.

- Follow all safety codes.
- Wear safety glasses and work gloves.
- Use care in handling and installing this accessory.

	ELECTRIC SHOCK HAZARD To avoid the possibility of electrical shock, open and tag all disconnects before installing this equipment.
---	--

⚠ CAUTION
Do not install the plenum accessory on units equipped with electric heat.

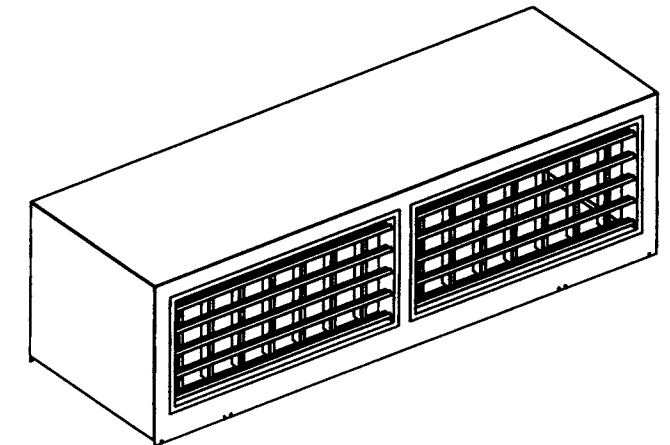


Fig. 1 – Plenum (2-Grille Version Shown)

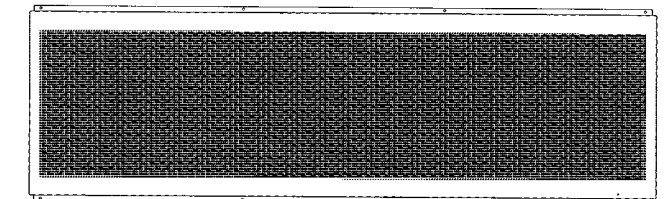


Fig. 2 – Return-Air Grille

INTRODUCTION

The plenum accessory directs the air discharge from a packaged air-handling unit directly into the room space. The plenum accessory can only be used on air-handling units that are vertically installed. See Fig. 1.

The return-air grille accessory (Fig. 2) provides a decorative barrier for the return air inlet on packaged air-handling units without return air ducts. Return-air grilles can be used on air-handling units that are vertically or horizontally installed. Mounting screws are included in the accessory kit.

See Table 1 for accessory package data.

Table 1 – Accessory Package Data

UNIT SIZES	PLENUM PART NO.	PLENUM WEIGHT—Lb (kg)	RETURN-AIR GRILLE PART NO.
6 to 10 Tons	CAPLENUM001A00 (Unpainted)	97 (44)	CARAGRIL001A00 (Unpainted)
	CAPLENUM004A00 (Painted)		CARAGRIL004A00 (Painted)
12½ to 20 Tons	CAPLENUM002A00 (Unpainted)	140 (63)	CARAGRIL002A00 (Unpainted)
	CAPLENUM005A00 (Painted)		CARAGRIL005A00 (Painted)
25 and 30 Tons	CAPLENUM003A00 (Unpainted)	180 (82)	CARAGRIL003A00 (Unpainted)
	CAPLENUM006A00 (Painted)		CARAGRIL006A00 (Painted)

INSTALLATION

Complete Pre-Installation Checks — Remove accessory packaging and inspect shipment. File claim with shipping company if accessory is damaged. Contact manufacturer if shipment is incomplete.

Mount Plenum — With the unit oriented vertically, refer to Fig. 1 and 3 and perform the following steps:

1. Remove all screws from the top edge of the unit's front, back, and sides. Retain screws.
2. Place the plenum on top of the unit so that the bottom flanges on the plenum box overlap the front, back and sides of the unit. Orient the discharge air opening towards the front or back of the unit, as desired. Align the screw holes in the plenum base with those in the top of the unit.
3. Reinstall the screws removed in Step 1 through the base of the plenum into the unit. Tighten screws.
4. Install the unit as described in the base unit installation instructions and adjust the plenum grille louvers to direct the airstream as desired.

Mount Return-Air Grille — Refer to Fig. 2 and 3 and perform the following steps:

1. For vertical installations, reposition the panel covering the front return-air opening to the bottom of the unit, using the same screws.

2. With the inside of the grille's mounting flange facing the unit, place the grille over the return-air opening and fasten it in place with the screws supplied in the accessory kit.

3. Install the unit as described in the base unit installation instructions.

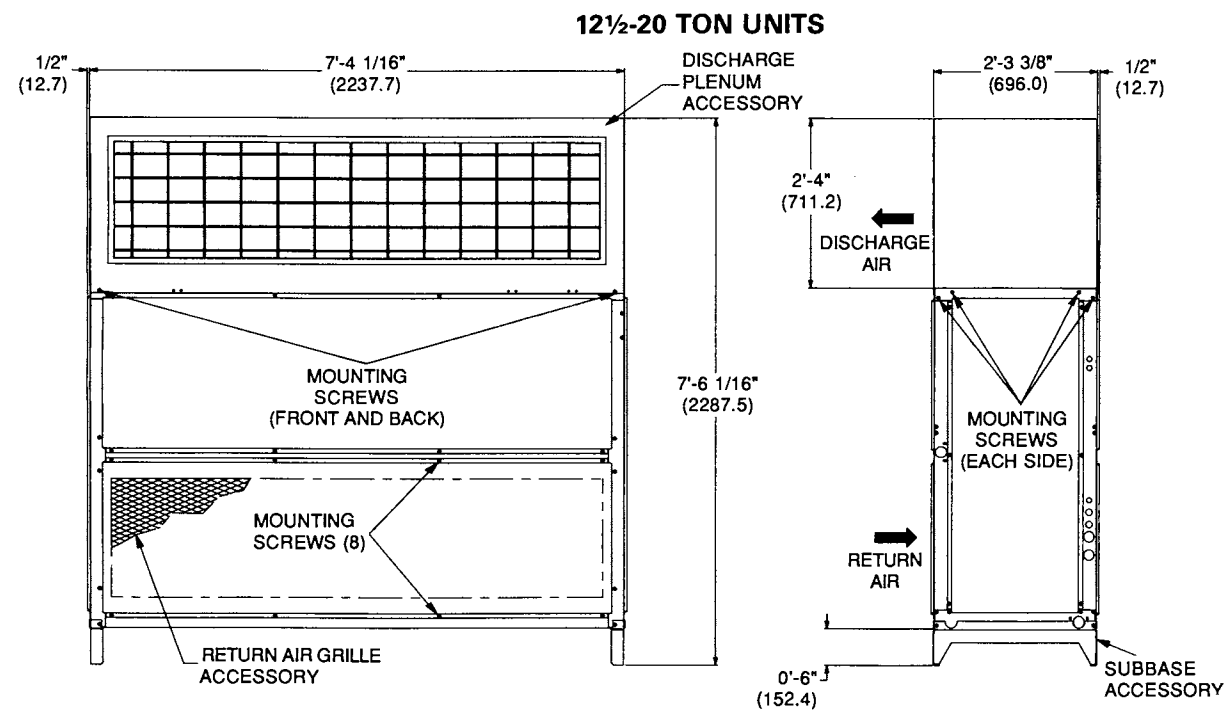
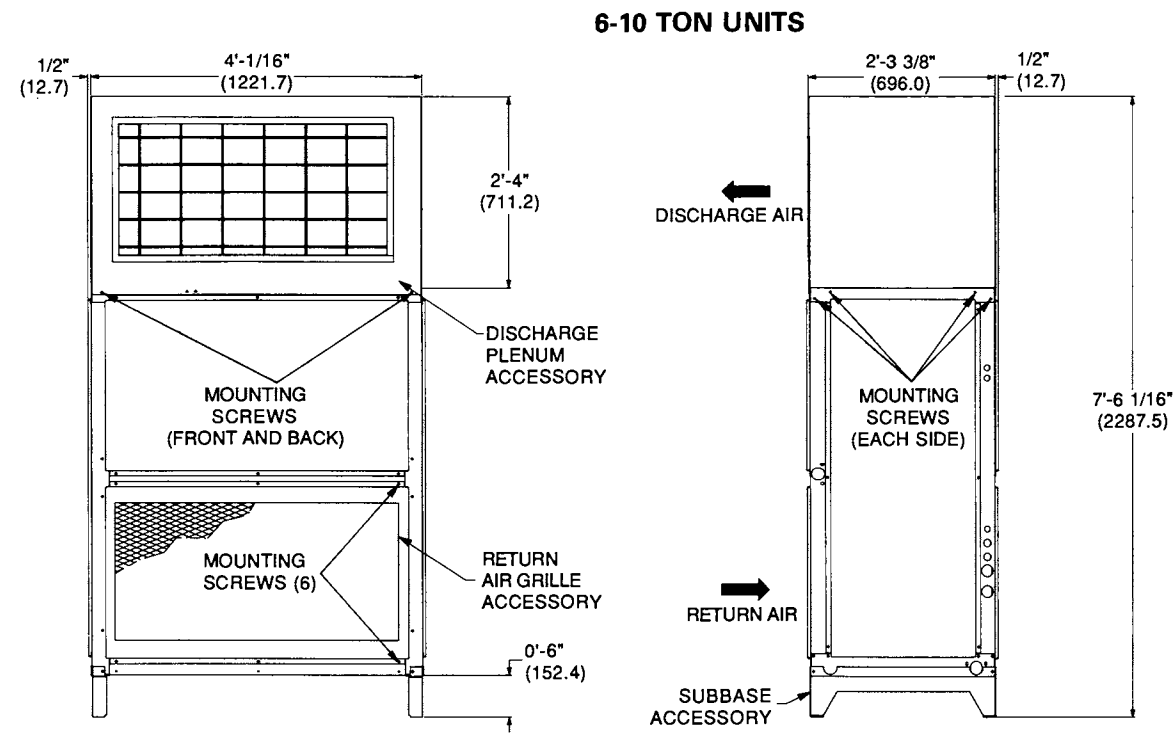


Fig. 3 – Installing Plenum and Return-Air Grille

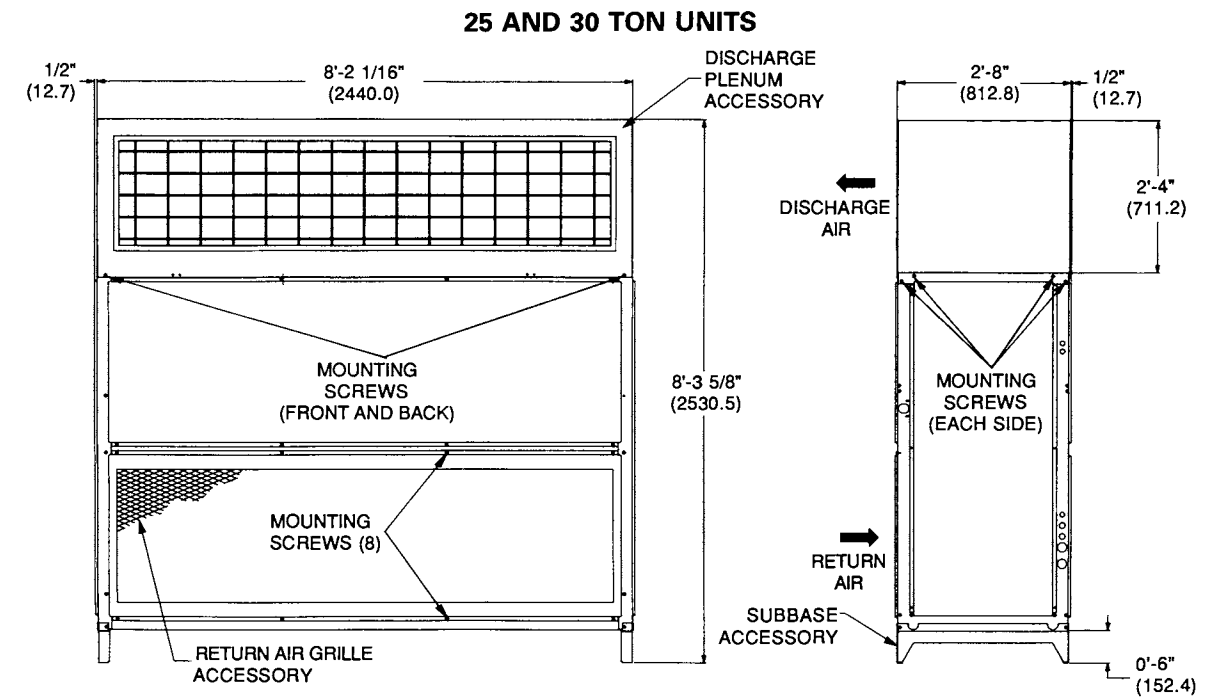


Fig. 3 – Installing Plenum and Return-Air Grille (cont)