

40MVC / 38MVC
 40MVQ / 38MVQ
 High-Wall Duct Free Split System
 Sizes 009 to 024



Installation Instructions



NOTE: Read the entire instruction manual before starting the installation.

TABLE OF CONTENTS

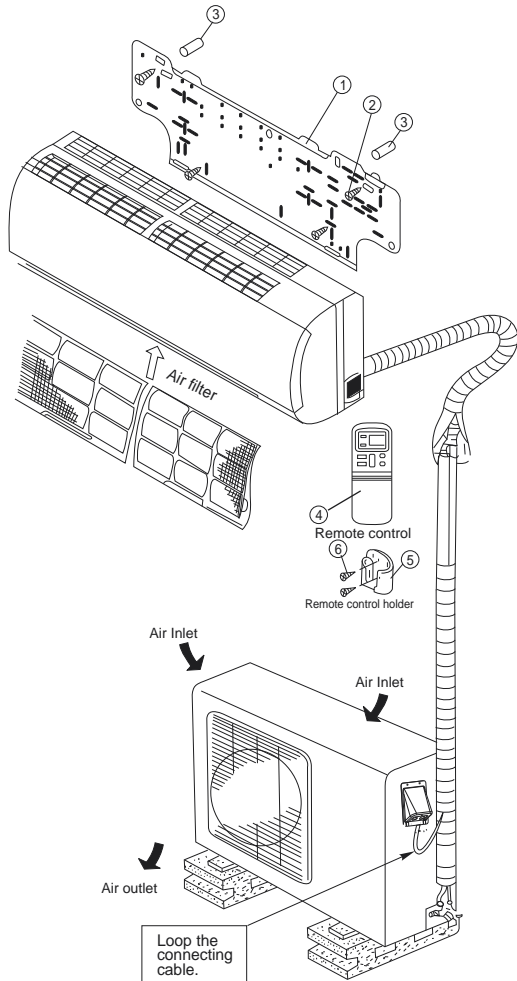
	PAGE
PARTS LIST	2
DIMENSIONS	3
SERVICE VALVE LOCATIONS	3
SAFETY CONSIDERATIONS	5
GENERAL	5
SYSTEM REQUIREMENTS	5
CLEARANCES	5
INSTALLATION TIPS	6
INDOOR UNIT INSTALLATION	6
OUTDOOR UNIT INSTALLATION	7
INSTALL ALL POWER AND INTERCONNECTING WIRING TO OUTDOOR UNIT	8
INSTALL ALL POWER, INTERCONNECTING WIRING, AND PIPING TO INDOOR UNIT	10
REMOTE CONTROL INSTALLATION	10
SYSTEM VACUUM AND CHARGE	11
START-UP	12
TROUBLESHOOTING	13

PARTS LIST

Part No.	Name of Part	Qty
1	Mounting Plate	1
2	Mounting Screw A ST3.9x25-C-H	8
3	Anchor	8
4	Remote Control	1
5	Remote Control Holder	1
6	Mounting Screw B ST2.0x10-C-H	2

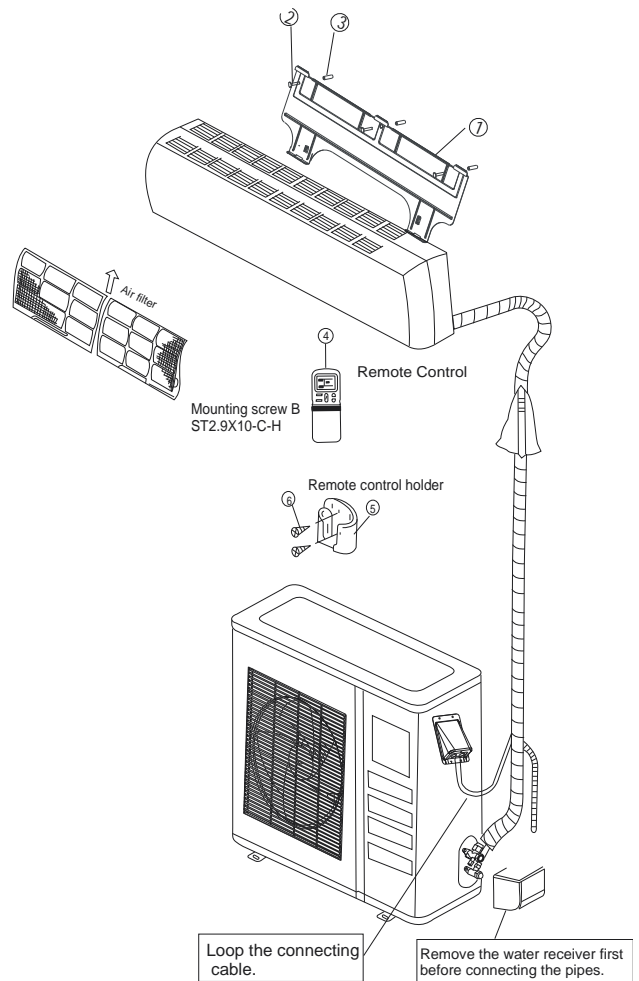
Part No.	Name of Part	Qty
1	Mounting Plate	1
2	Mounting Screw A ST3.9x25-C-H	8
3	Anchor	8
4	Remote Control	1
5	Remote Control Holder	1
6	Mounting Screw B ST2.0x10-C-H	2

38/40MVC, MVQ



A07334a

**Fig. 1 – 40MVC,MVQ/38MVC,MVQ009-012
Parts List**



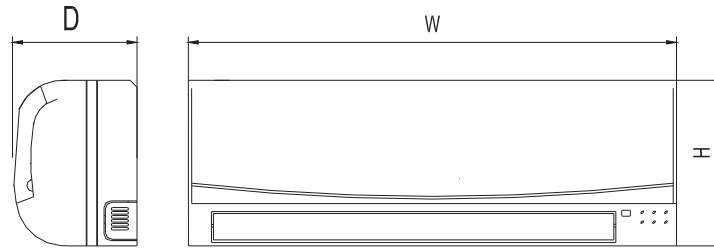
A07335a

**Fig. 2 – 40MVC, MVQ/38MVC,MVQ018-024
Parts List**

Note:

- If the outdoor unit is higher than the indoor unit, prevent rain from flowing into the indoor unit along the connection pipe by making a downward arc in the connection pipe before it enters the wall to the indoor unit. This will ensure that rain will drip from the connection pipe before it enters the wall.
- The illustration above is only a sketch. Different models may be slightly different.

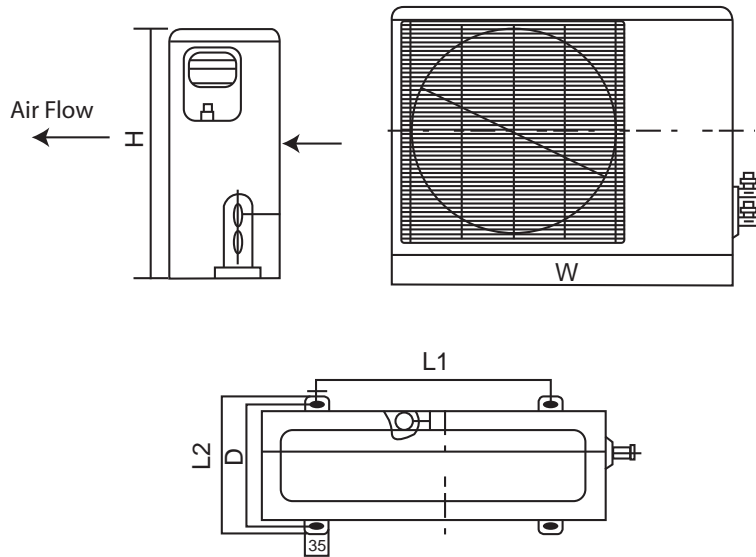
DIMENSIONS - INDOOR



A07336

Model Size	W in. (mm)	H in. (mm)	D in. (mm)	Operating Weight lb (kg)
9K	32.09 (815)	11.02 (280)	7.68 (195)	17.6 (8)
12K	35.67 (906)	11.26 (286)	9.25 (235)	25.3 (11.5)
18K	49.21 (1250)	12.80 (325)	9.06 (230)	39.6 (18)
24K	49.21 (1250)	12.80 (325)	9.06 (230)	39.6 (18)

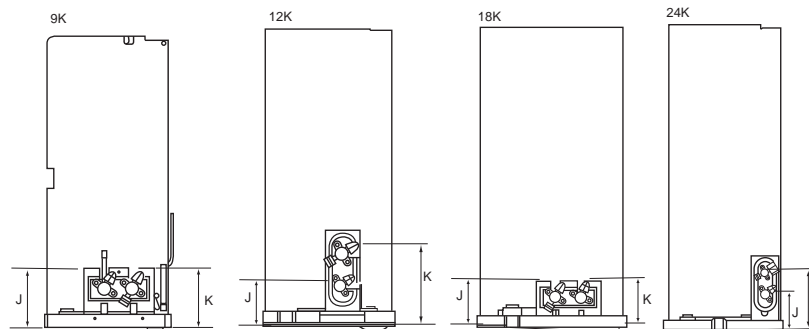
DIMENSIONS - OUTDOOR



A07337

Model Size	W in. (mm)	H in. (mm)	L1 in. (mm)	L2 in. (mm)	L3 in. (mm)	Operating Weight lb (kg) Cooling Only	Operating Weight lb (kg) Heat Pumps
9K	30.71 (780)	21.26 (540)	21.61 (549)	11.81 (300)	10.87 (276)	70.4 (32)	72.6 (33)
12K	29.92 (760)	23.23 (590)	20.87 (530)	12.40 (315)	11.42 (290)	79.2 (36)	83.6 (38)
18K	33.07 (840)	27.36 (695)	22.05 (560)	14.17 (360)	13.19 (335)	116.6 (53)	117.7 (53.5)
24K	35.00 (889)	33.50 (851)	23.11 (588)	13.98 (355)	13.11 (333)	149.6 (68)	151 (68.5)

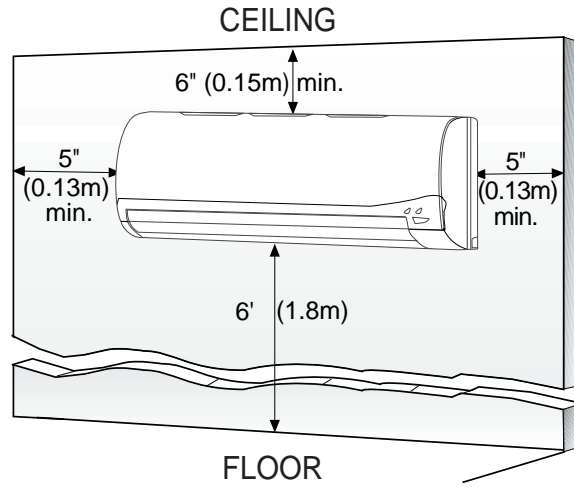
SERVICE VALVE LOCATIONS



A07376a

Service Valve Locations	9K in. (mm)	12K in. (mm)	18K in. (mm)	24K in. (mm)
J	3.46 (88)	3.19 (81)	3.46 (88)	4.02 (102)
K	3.46 (88)	5.63 (143)	3.62 (92)	6.57 (167)

CLEARANCES - INDOOR

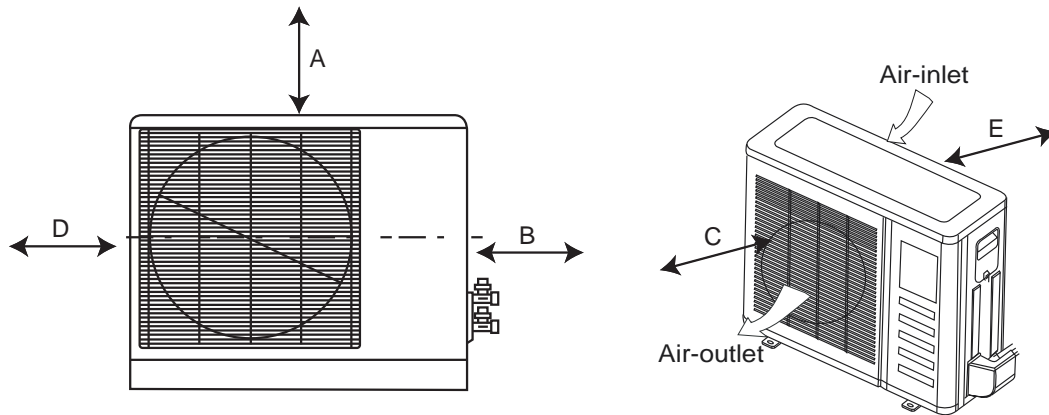


A07891

Fig. 3 – Indoor unit clearance

38/40MVC, MVQ

CLEARANCES - OUTDOOR



A07894

UNIT	9k and 12k in. (mm)	18k and 24k in. (mm)
A	24 (610)	24 (610)
B	24 (610)	36 (914)
C	24 (610)	24 (610)
D	6 (152)	6 (152)
E	12 (305)	12 (305)

Fig. 4 – Outdoor Unit Clearance

SAFETY CONSIDERATIONS

Installing, starting up, and servicing air-conditioning equipment can be hazardous due to system pressures, electrical components, and equipment location (roofs, elevated structures, etc.).


Only trained, qualified installers and service mechanics should install, start-up, and service this equipment.

Untrained personnel can perform basic maintenance functions such as cleaning coils. All other operations should be performed by trained service personnel.

When working on the equipment, observe precautions in the literature and on tags, stickers, and labels attached to the equipment.

Follow all safety codes. Wear safety glasses and work gloves. Keep quenching cloth and fire extinguisher nearby when brazing. Use care in handling, rigging, and setting bulky equipment.

Read these instructions thoroughly and follow all warnings or cautions included in literature and attached to the unit. Consult local building codes and National Electrical Code (NEC) for special requirements. Recognize safety information. This is the

safety-alert symbol . When you see this symbol on the unit and in instructions or manuals, be alert to the potential for personal injury. Understand these signal words: DANGER, WARNING, and CAUTION. These words are used with the safety-alert symbol. DANGER identifies the most serious hazards which **will** result in severe personal injury or death. WARNING signifies hazards which **could** result in personal injury or death. CAUTION is used to identify unsafe practices which **may** result in minor personal injury or product and property damage. NOTE is used to highlight suggestions which **will** result in enhanced installation, reliability, or operation.



WARNING

ELECTRICAL SHOCK HAZARD

Failure to follow this warning could result in personal injury or death.

Before installing, modifying, or servicing system, main electrical disconnect switch must be in the OFF position. There may be more than 1 disconnect switch. Lock out and tag switch with a suitable warning label.



CAUTION

EQUIPMENT DAMAGE HAZARD

Failure to follow this caution may result in equipment damage or improper operation.

Do not bury more than 36 in. (914 mm) of refrigerant pipe in the ground. If any section of pipe is buried, there must be a 6 in. (152 mm) vertical rise to the valve connections on the outdoor units. If more than the recommended length is buried, refrigerant may migrate to the cooler buried section during extended periods of system shutdown. This causes refrigerant slugging and could possibly damage the compressor at start-up.

GENERAL

These instructions cover the installation, start-up and servicing of 38MVC, MVQ outdoor and 40MVC, MVQ indoor units duct free systems.

SYSTEM REQUIREMENTS

Allow sufficient space for airflow and servicing unit. See Fig. 3 and 4 for minimum required distances between unit and walls or ceilings.

Piping

IMPORTANT: Both refrigerant lines must be insulated separately.

- Minimum refrigerant line length between the indoor and outdoor units is 10 ft. (3 m).
- The following maximum lengths are allowed:

REFRIGERANT LINE LENGTHS ft. (m)			
Unit Size	Max Line Length	Max Elevation (ID over OD)	Max Elevation (OD over ID)
9K	65 (20)	35 (11)	35 (11)
12K	65 (20)	35 (11)	35 (11)
18K	100 (30)	50 (15)	50 (15)
24K	100 (30)	60 (18)	60 (18)

- The following are the piping sizes.

PIPE SIZES		
Unit Size	Mix Phase	Vapor
9K	1/4"	3/8"
12K	1/4"	1/2"
18K	1/4"	1/2"
24K	3/8"	5/8"

Refrigerant Charge

REFRIGERANT CHARGE lb. (kg)		
Unit Size	Air Conditioner	Heat Pump
9K	2.3 (1.0)	2.4 (1.1)
12K	2.9 (1.3)	3.0 (1.4)
18K	4.4 (2.0)	4.5 (2.0)
24K	5.3 (2.4)	5.3 (2.4)

- Above charge is for piping runs up to 25 ft. (7.6 m).
- **For piping runs greater than 25 ft. (7.6 m), add 0.1 oz. of refrigerant per foot of extra piping up to the allowable length.**
- Capillary tubes in outdoor unit are used as metering devices.

Recommended Connection Method for Power and Communication Wiring (To minimize communication wiring interference)

Power Wiring:

The main power is supplied to the outdoor unit. The field supplied connecting cable from the outdoor unit to indoor unit consists of three (3) wires and provides the power for the indoor unit. Two wires are high voltage AC power and one is a ground wire.

Consult your local building codes and the NEC (National Electrical Code) or CEC (Canadian Electrical Code) for special requirements.

All wires must be sized per NEC or CEC and local codes. Use Electrical Data table MCA (minimum circuit amps) and MOCP (maximum over current protection) to correctly size the wires and the disconnect fuse or breakers respectively.

Per caution note, only copper conductors with a minimum 300 volt rating and 2/64--inch thick insulation must be used.

Communication Wiring:

A separate shielded copper conductor only, with a minimum 300 volt rating and 2/64-inch thick insulation, must be used as the communication wire from the outdoor unit to the indoor unit.

To minimize voltage drop of the control wire, use the following wire size and maximum lengths shown in the chart below:

Wire Size	Length ft (m)
18 AWG	50. (15)
16 AWG	50 (15) to 100 (30)

Alternate Connection Method for Power and Communication Wiring (May not prevent communication wiring interference)

The main power is supplied to the outdoor unit. The field supplied connecting cable from the outdoor unit to indoor unit consists of four (4) wires and provides the power and communication signals for the indoor unit. Two conductors are for power wiring (L1/L2, or L/N), one is a ground wire, and one is a DC communication wire.

Consult your local building codes and the NEC (National Electrical Code) or CEC (Canadian Electrical Code) for special requirements. All power wires must be sized per NEC or CEC and local codes. Use Electrical Data table MCA (minimum circuit amps) and MOCP (maximum over current protection) to correctly size the wires and the disconnect fuse or breakers respectively.

Per caution note, only copper conductors with a minimum 300 volt rating and 2/64--inch thick insulation must be used.

Model Size	Power Source	MIN CKT AMP MAX FUSE/CB AMP
9k	115-1-60	12/20
12k		15/25
12k	208/230-1-60	9/15
18k		11/20
24k		14/25



CAUTION

EQUIPMENT DAMAGE HAZARD

Failure to follow this caution may result in equipment damage or improper operation.

- Wires should be sized based on NEC and local codes.
- Use copper conductors only with a minimum 300 volt rating and 2/64 inch thick insulation.

INSTALLATION TIPS

Ideal installation locations include:

Indoor Unit

- A location where there are no obstacles near inlet and outlet area.
- A location which can bear the weight of indoor unit.
- Do not install indoor units near a direct source of heat such as direct sunlight or a heating appliance.
- A location which provides appropriate clearances as outlined in Fig. 3.

Outdoor Unit

- A location which is convenient to installation and not exposed to strong wind. If unit is exposed to strong winds it is recommended that a wind baffle be used. Contact your Duct Free Split representative for drawings.
- A location which can bear the weight of outdoor unit and where the outdoor unit can be mounted in a level position.
- A location which provides appropriate clearances as outlined in Fig. 4.
- Do not install the indoor or outdoor units in a location with special environmental conditions. For those applications, contact your Duct Free Split representative.

INDOOR UNIT INSTALLATION

INSTALL MOUNTING PLATE

The mounting plate will look like one of the following depending on model size:

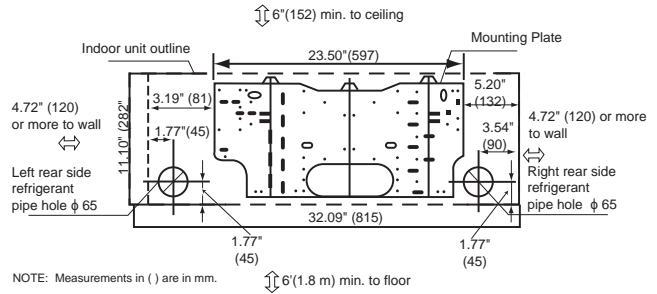


Fig. 5 – Mounting Plate- Model size 009

A07338

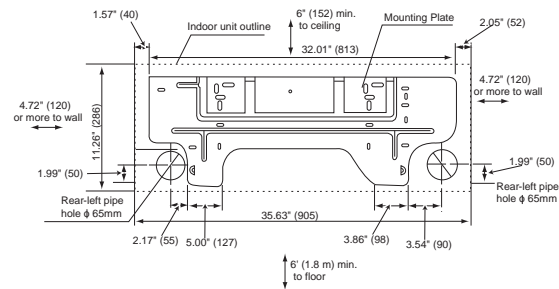


Fig. 6 – Mounting Plate- Model size 012

A07339

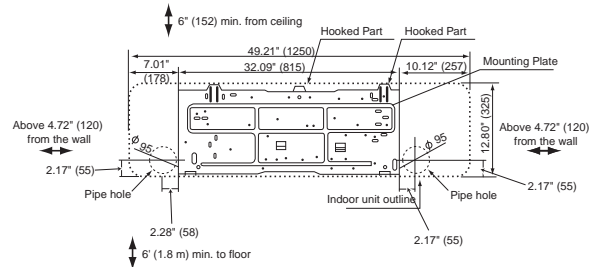


Fig. 7 – Mounting Plate- Model sizes 018 - 024

A07340

1. Carefully remove the mounting plate, which is attached to the back of the indoor unit.
2. The mounting plate should be located horizontally and level on the wall. All minimum spacings shown in Fig. 3, 4, 5, 6, and 7 should be maintained.
3. If the wall is block, brick, concrete or similar material, drill .2" (5 mm) diameter holes and insert anchors for the appropriate mounting screws.
4. Attach the mounting plate to the wall.

DRILL HOLE IN WALL FOR INTERCONNECTING PIPING, DRAIN AND WIRING

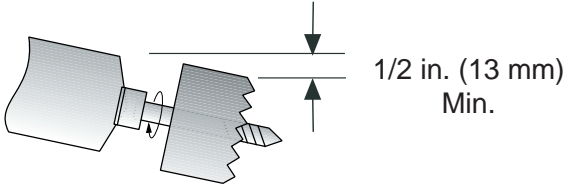
Refrigerant Line Routing

The refrigerant lines may be routed in any of the four directions shown in Fig. 9.

For maximum serviceability, it is recommended to have refrigerant line flare connections and the drain connections on the outside of the wall that the fan coil can be mounted on.

If piping is going through the back:

1. Determine pipe hole position using the mounting plate as a template. Drill pipe hole diameter per chart below. The outside pipe hole is 1/2-in. (13 mm) min. lower than inside pipe hole, so it slants slightly downward (see Fig. 8).



INDOOR

OUTDOOR

Fig. 8 – Drill Holes

A07371

Model Size	Hole Diameter in. (mm)
009, 012	2.75 (70)
018, 024	3.75 (95)

If piping is going through the right or left side:

1. Use a small saw blade to carefully remove the corresponding plastic covering on side panel and drill the appropriate size hole where the pipe is going through the wall.

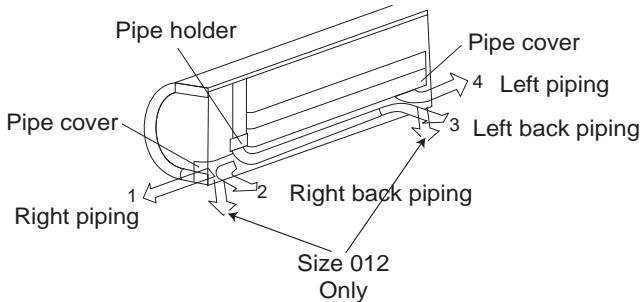


Fig. 9 – Piping Locations

A07344

OUTDOOR UNIT INSTALLATION

1. Use a rigid base to support unit in a level position.

NOTE: For applications requiring cooling with outdoor temperatures below 55°F (13°C), a low ambient control field-installed accessory is available. Consult the Installation Instruction for the low ambient kit for further information.

If the installation location may be exposed to strong wind, use a wind baffle. Check with your Carrier representative to obtain drawings for wind baffles.

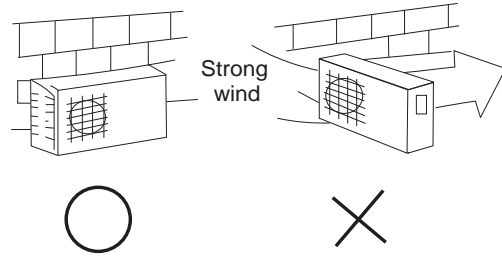


Fig. 10 – High Wind Installation

A07350

2. Locate outdoor unit and connect piping and wiring.

MAKE REFRIGERANT PIPING CONNECTIONS (OUTDOOR UNIT)

IMPORTANT: Use refrigeration grade tubing **ONLY**. No other type of tubing may be used. Use of other types of tubing will void manufacturer's warranty.

Do not open service valves or remove protective caps from tubing ends until all the connections are made.

Bend tubing with bending tools to avoid kinks and flat spots.

Keep the tubing free of dirt, sand, moisture, and other contaminants to avoid damaging the refrigerant system.

Avoid sags in the suction line to prevent the formation of oil traps. Insulate each tube with minimum 3/8-in. (10 mm) wall thermal pipe insulation. Inserting the tubing into the insulation before making the connections will save time and improve installation quality.

1. Remove service valve cover if provided with unit.
2. Cut tubing with tubing cutter. Remove service connection if provided with unit.
3. Install correct size flare nut onto tubing and make flare connection.
4. Apply a small amount of refrigerant oil to the flare connection on the tubing.
5. Properly align tubing in with service valve.
6. Tighten flare nut and finish installation using two wrenches as shown in Fig. 11.

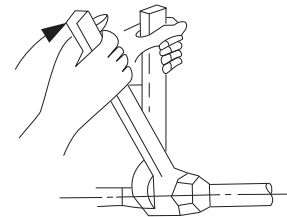


Fig. 11 – Tighten Flare Nut

A07354



CAUTION

EQUIPMENT DAMAGE HAZARD

Failure to follow this caution may result in equipment damage or improper operation.

Excessive torque can break flare nut depending on installation conditions.

INSTALL ALL POWER AND INTERCONNECTING WIRING TO OUTDOOR UNITS

1. Mount outdoor power disconnect.
2. Run power wiring from main box to disconnect per NEC and local codes.
3. Remove field wiring cover from unit by loosening screws.
4. Remove caps on conduit panel.
5. Connect conduit to conduit panel. (See Fig.12)
6. Properly connect both power supply and control lines to terminal block per the connection diagram for the appropriate unit capacity and voltage. (See Fig. 13)
7. Ground unit in accordance with NEC and local electrical codes.
8. Use lock nuts to secure conduit.
9. Reinstall field wiring cover.



CAUTION

EQUIPMENT DAMAGE HAZARD

Failure to follow this caution may result in equipment damage or improper operation.

- Be sure to comply with local codes while running wire from indoor unit to outdoor unit.
- Every wire must be connected firmly. Loose wiring may cause terminal to overheat or result in unit malfunction. A fire hazard may also exist. Therefore, be sure all wiring is tightly connected.
- No wire should be allowed to touch refrigerant tubing, compressor or any moving parts.
- Disconnecting means must be provided and shall be located within sight and readily accessible from the air conditioner.
- Connecting cable with conduit shall be routed through hole in the conduit panel.

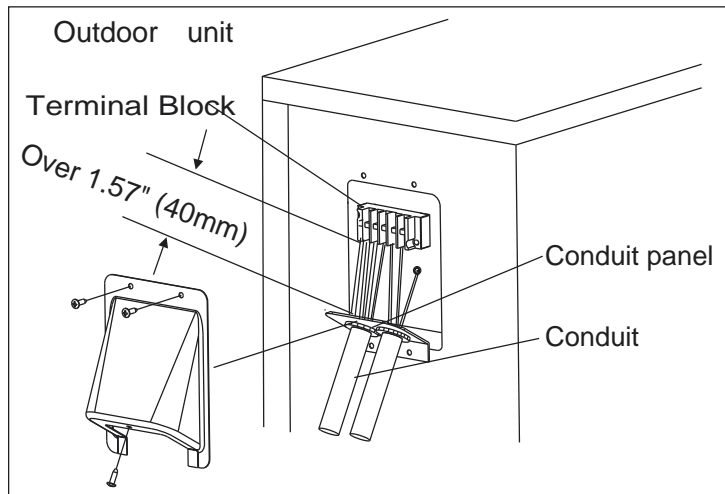


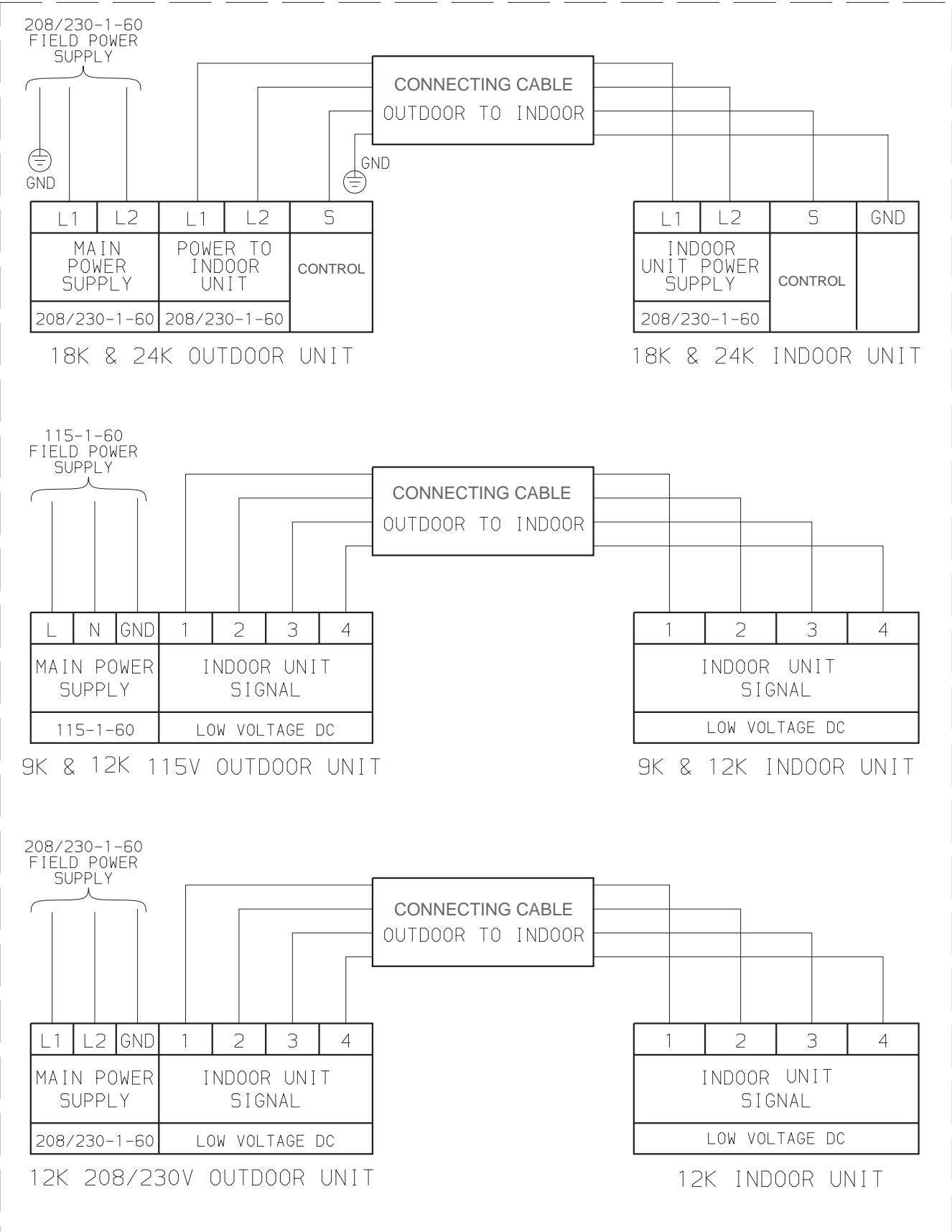
Fig. 12 – Field Wiring

A07455

ELECTRICAL DATA

UNIT SIZE	OPERATING VOLTAGE MAX/MIN	COMPRESSOR		OUTDOOR FAN			INDOOR FAN				MCA	MAX FUSE/CB AMP	
		VOLTS-PH-HZ	RLA	LRA	FLA	HP	W	VOLTS	FLA	HP			W
009	127/104	115-1-60	7.5	40	0.69	0.102	23	35 DC	1.1	0.034	20	12	20
012			9.9	47					1.18	0.044	25		
012	253/187	208/230-1-60	5.2	21	0.38	0.116	36	35 DC	1.18	0.044	25	9	15
018			7.3	32.6	0.78	0.224	53	208/230-1-60	0.26	0.075	31	11	20
024			9.7	34.8	0.62	0.218	100		0.39	0.112	50	14	25

CONNECTION DIAGRAMS



Notes:

1. Do not use thermostat wire for any connection between indoor and outdoor units.
2. All connections between indoor and outdoor units must be as shown. The connections are sensitive to polarity.
3. On the 18k and 24k units, the "S" terminal "CONTROL" output is pulse DC with a potential AC voltage shock hazard.

Fig. 13 – Connection Diagrams

38/40MVC, MVQ

INSTALL ALL POWER, INTERCONNECTING WIRING, AND PIPING TO INDOOR UNIT

1. Run interconnecting piping and wiring from outdoor unit to indoor unit.
2. Run interconnecting cable through hole in wall (outside to inside).
3. Lift indoor unit into position and route piping and drain through hole in wall (inside to outside). Fit interconnecting wiring into back side of indoor unit.
4. Put upper claw at back of indoor unit on upper hook of Mounting Plate, move indoor unit from side to side to see that it is securely hooked.
5. Open front cover of indoor unit and remove field wiring terminal block cover.
6. Pull interconnecting wire up from back of indoor unit and position in close to the terminal block on indoor unit.
7. Push lower part of indoor unit up on wall, then move indoor unit from side to side, up and down to check if it is hooked securely. (See Fig. 14.)

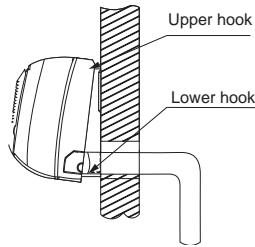


Fig. 14 – Indoor Unit Installation

A07347a

8. Connect wiring from outdoor unit per connection diagram (see Fig. 13 and Fig. 17).
9. Replace field wiring cover and close front cover of indoor unit.
10. Connect refrigerant piping and drain line outside of indoor unit. Refer to Fig. 11 for proper installation of flare connections. Complete pipe insulation at flare connection then fasten piping and wiring to the wall as required. Completely seal the hole in the wall.
11. Connect the drain line. The drain line must not have a trap anywhere in its length, must pitch downwards, and must be insulated up to the outside wall. See Fig. 15.

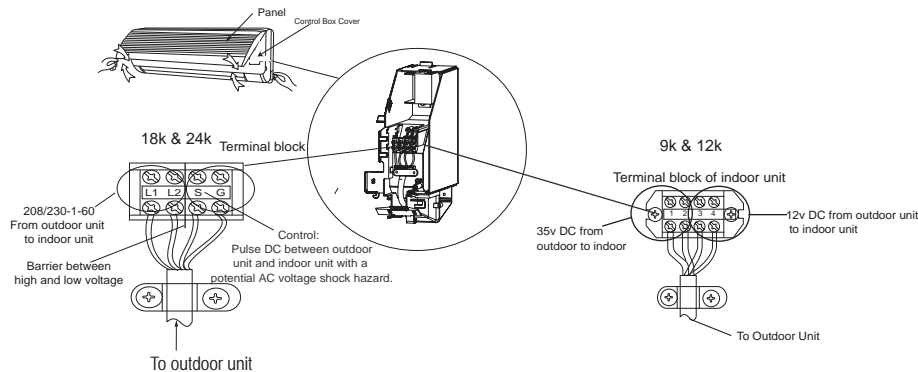
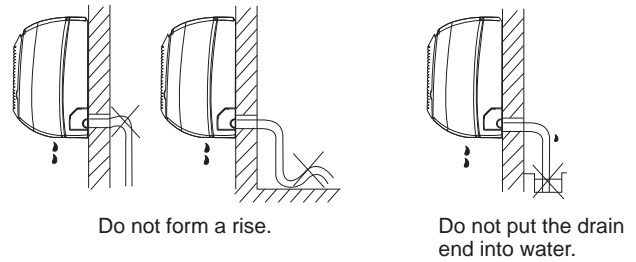


Fig. 17 – Control and Power Wiring on Indoor Unit

A07349a



Do not form a rise.

Do not put the drain end into water.

A07342

Fig. 15 – Proper Drain Hose Installation

NOTE: For proper orientation of the refrigerant piping, electrical cable and drain lines, refer to Fig. 16.

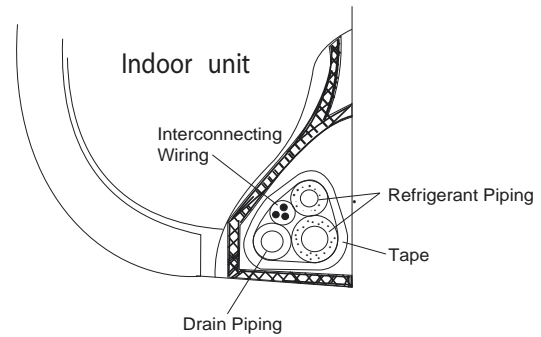


Fig. 16 – Proper Orientation

A07346

NOTE: For applications where gravity cannot be used for drainage, a condensate pump accessory is available. Consult the condensate pump Installation Instructions for more information.

REMOTE CONTROL INSTALLATION

Mounting Bracket (if installed on the wall)

1. Use the two screws supplied with control to attach Mounting Bracket to wall in location selected by customer and within operating range.
2. Install batteries in Remote Control.
3. Place Remote Control into remote control Mounting Bracket.
4. For remote control operation, refer to the unit Owner's Manual.



CAUTION

UNIT DAMAGE HAZARD

Failure to follow this caution may result in equipment damage or improper operation.

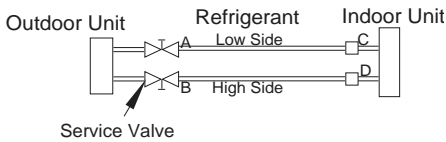
Never use the system compressor as a vacuum pump.

Refrigerant tubes and indoor coil should be evacuated using the recommended deep vacuum method of 500 microns. The alternate triple evacuation method may be used if the procedure outlined below is followed. Always break a vacuum with dry nitrogen.

SYSTEM VACUUM AND CHARGE

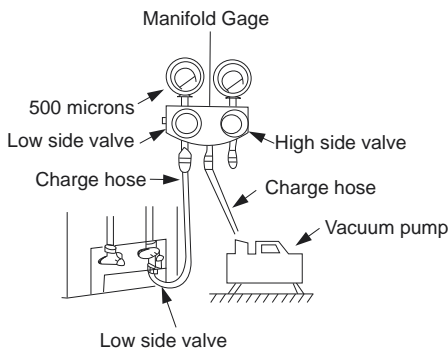
Using Vacuum Pump

1. Completely tighten flare nuts A, B, C, D, connect manifold gage charge hose to a charge port of the low side service valve. (See Fig. 18)
2. Connect charge hose to vacuum pump.
3. Fully open the low side of manifold gage. (See Fig. 19)
4. Start vacuum pump
5. Evacuate using either deep vacuum or triple evacuation method.
6. After evacuation is complete, fully close the low side of manifold gage and stop operation of vacuum pump.
7. The factory charge contained in the outdoor unit is good for up to 25 ft. (8 m) of line length. For refrigerant lines longer than 25 ft (8 m), add 0.1 oz. per foot of extra piping up to the maximum allowable length.
8. Disconnect charge hose from charge connection of the low side service valve.
9. Fully open service valves B and A.
10. Securely tighten caps of service valves.



A07360

Fig. 18 – Service Valve

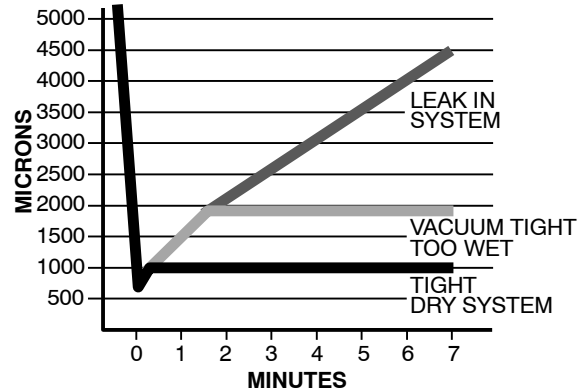


A07361

Fig. 19 – Manifold

Deep Vacuum Method

The deep vacuum method requires a vacuum pump capable of pulling a vacuum of 500 microns and a vacuum gage capable of accurately measuring this vacuum depth. The deep vacuum method is the most positive way of assuring a system is free of air and liquid water. (See Fig. 20)



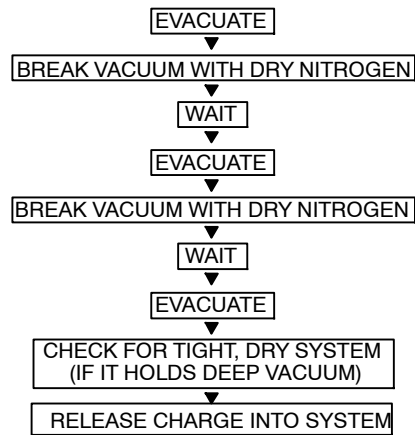
A95424

Fig. 20 – Deep Vacuum Graph

Triple Evacuation Method

The triple evacuation method should only be used when vacuum pump is only capable of pumping down to 28 in. of mercury vacuum and system does not contain any liquid water. Refer to Fig. 21 and proceed as follows:

1. Pump system down to 28 in. of mercury and allow pump to continue operating for an additional 15 minutes.
2. Close service valves and shut off vacuum pump.
3. Connect a nitrogen cylinder and regulator to system and open until system pressure is 2 psig.
4. Close service valve and allow system to stand for 1 hr. During this time, dry nitrogen will be able to diffuse throughout the system absorbing moisture.
5. Repeat this procedure as indicated in Fig. 21. System will then be free of any contaminants and water vapor.



A95425

Fig. 21 – Triple Evacuation Method

Final Tubing Check

IMPORTANT: Check to be certain factory tubing on both indoor and outdoor unit has not shifted during shipment. Ensure tubes are not rubbing against each other or any sheet metal. Pay close attention to feeder tubes, making sure wire ties on feeder tubes are secure and tight.

START-UP

Test Operation

Perform test operation after completing gas leak and electrical safety check. (See Fig. 22)

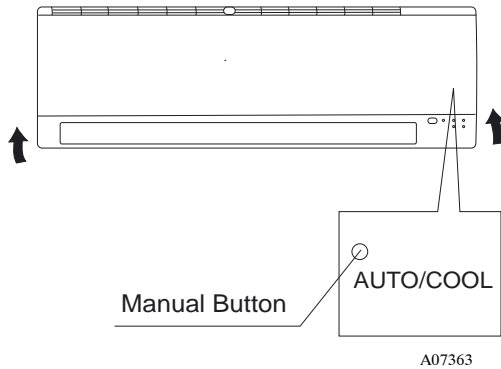


Fig. 22 – Test Operation

1. Push the “ON/OFF” button on Remote Control to begin testing.

NOTE: A protection feature prevents air conditioner from being activated for approximately 3 minutes.

2. Push MODE button, select COOLING, HEATING, FAN mode to check if all functions work correctly.
3. When ambient temperature is lower than 63°F/17°C, the unit cannot be controlled by Remote Control to run in cooling mode. For this condition, manual operation must be used.
 - (1.) Open front panel of the indoor unit;
 - (2.) Push the manual switch once to energize the unit.
4. Be sure to set manual switch to “OFF” (by pushing it twice) after finishing test operation.

NOTE: For Heat Pumps, follow the same procedure.

SYSTEM CHECKS

1. Conceal the tubing where possible.
2. Make sure that the drain tube slopes downward along its entire length.
3. Ensure all tubing and connections are properly insulated.
4. Fasten tubes to the outside wall, when possible.
5. Seal the hole through which the cables and tubing pass.

INDOOR UNIT

1. Do all Remote Control buttons function properly?
2. Do the display panel lights work properly?
3. Does the air deflection louver function properly?
4. Does the drain work?

OUTDOOR UNIT

1. Are there unusual noises or vibrations during operation?

Explain Following Items To Customer With The Aid Of The Owner’s Manual:

1. How to turn air conditioner on and off; selecting COOLING, HEATING and other operating modes; setting a desired temperature; setting the timer to automatically start and stop air conditioner operation; and all other features of the Remote Control and display panel.
2. How to remove and clean the air filter.
3. How to set air deflection louver.
4. Explain care and maintenance.
5. Present the Owner’s Manual and installation instructions to customer.

TROUBLESHOOTING

For ease of service, the systems are equipped with diagnostic code display LEDs on both the indoor and outdoor units. The outdoor diagnostic display is an LED on the outdoor unit board and is limited to very few errors. However, it is useful in identifying special error codes like a failure of the outdoor coil sensor on heat pumps. The indoor diagnostic display is a combination of flashing

LEDs on the display panel or the front of the unit. If possible, always check the diagnostic codes displayed on the indoor unit first.

The diagnostic codes for the indoor and outdoor units are listed in the tables below.

INDOOR UNIT DIAGNOSTIC GUIDES

9K & 12K Units

Operation Lamp	Timer Lamp	Failure Mode
☆	X	Indoor fan speed has been out of control for over 1 minute
☆	On	Indoor room temp. or evaporator sensor is open circuit or short circuited
X	☆	Compressor over-current protection has been activated four times
On	☆	EEROM error
☆	☆	Indoor unit communication error (Illuminates simultaneously)

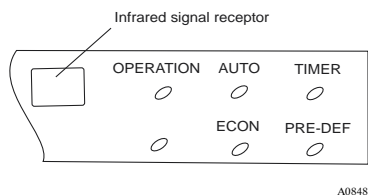
18K & 24K Units

Operation Lamp	Timer Lamp	Defrosting Lamp	Auto Lamp	Failure Mode
☆	☆	☆	☆	Over-current protection of the compressor occurs four times
X	☆	X	X	Indoor room temp. sensor is open circuit or short circuited
☆	X	X	X	Temp. sensor on indoor evaporator is open circuit or short circuited
X	X	☆	X	Temp. sensor on outdoor condenser is open circuit or short circuited (not cooling only modes)
X	X	☆	☆	Outdoor unit protects (outdoor temp. sensor, phase order, etc.)
X	☆	X	☆	EEROM error
X	X	X	☆	Indoor unit communication error

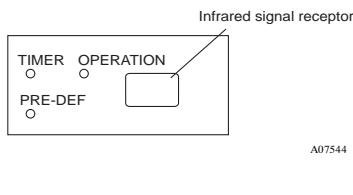
☆ = Flashing
X = Off

For additional diagnostic information, refer to the Service Manual.

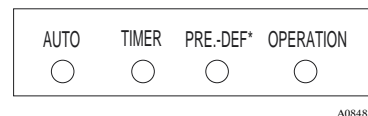
38/40MVC, MVG



HP Model size 009



HP Model size 012



HP Model size 018-024

* PRE-DEF light will illuminate when the unit is running in FAN ONLY mode on Cooling Only units.
Note: Cooling only units have same LED lights but without PRE-DEF print.

Fig. 23 – LED Display Panel

OUTDOOR UNIT DIAGNOSTIC GUIDES

Flashing Times after 2 Second Off	Failure Mode	Diagnostic Chart
5	Communication failure	4 or 6
2	Condenser temperature sensor failure	2
1	Other indoor failure	-

If the unit is operating normally, the LED light on the outdoor board is lit continuously. If there is a failure, the LED light will flash a specific number of times. Refer to the Outdoor Unit Diagnostic table above to determine failure.

