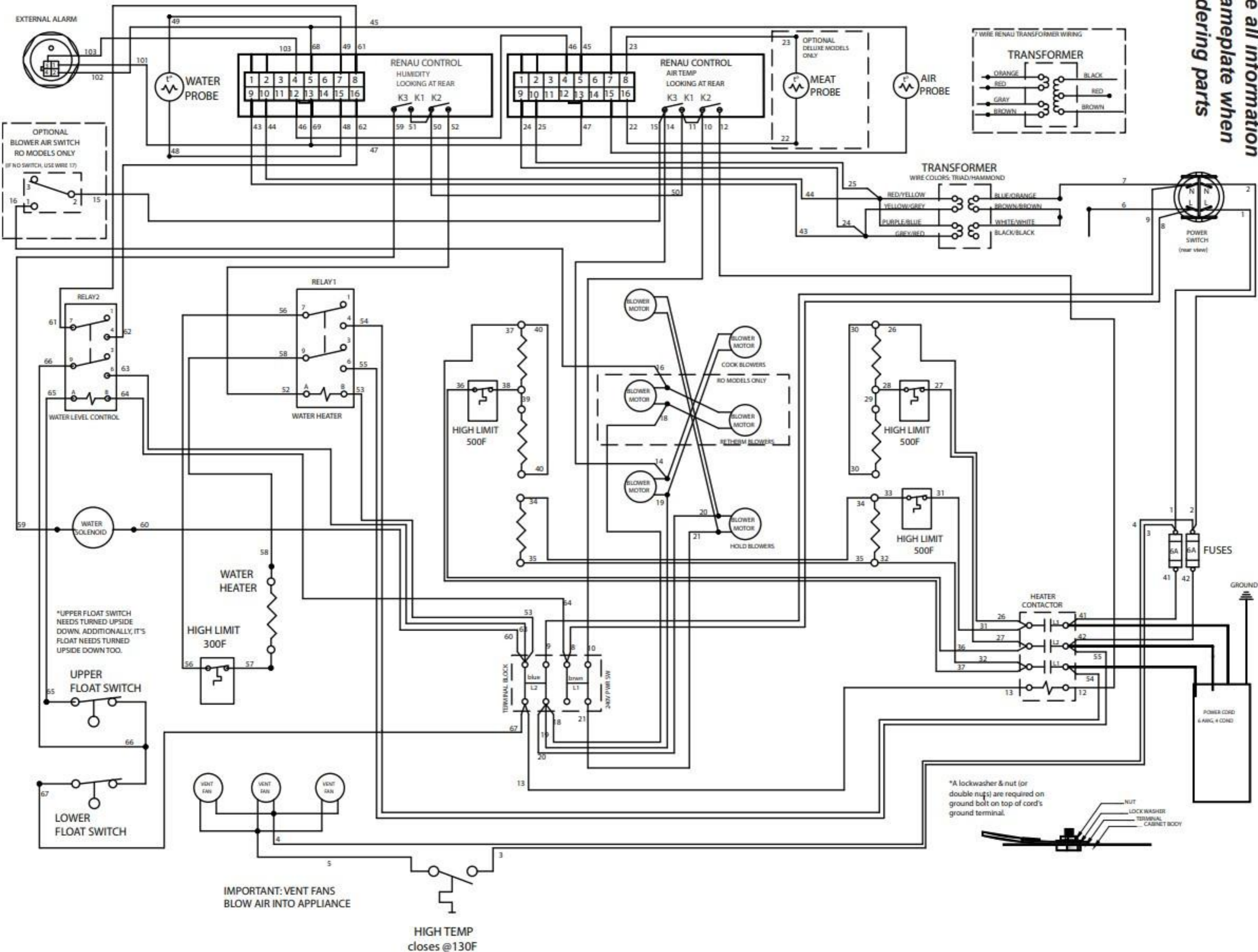
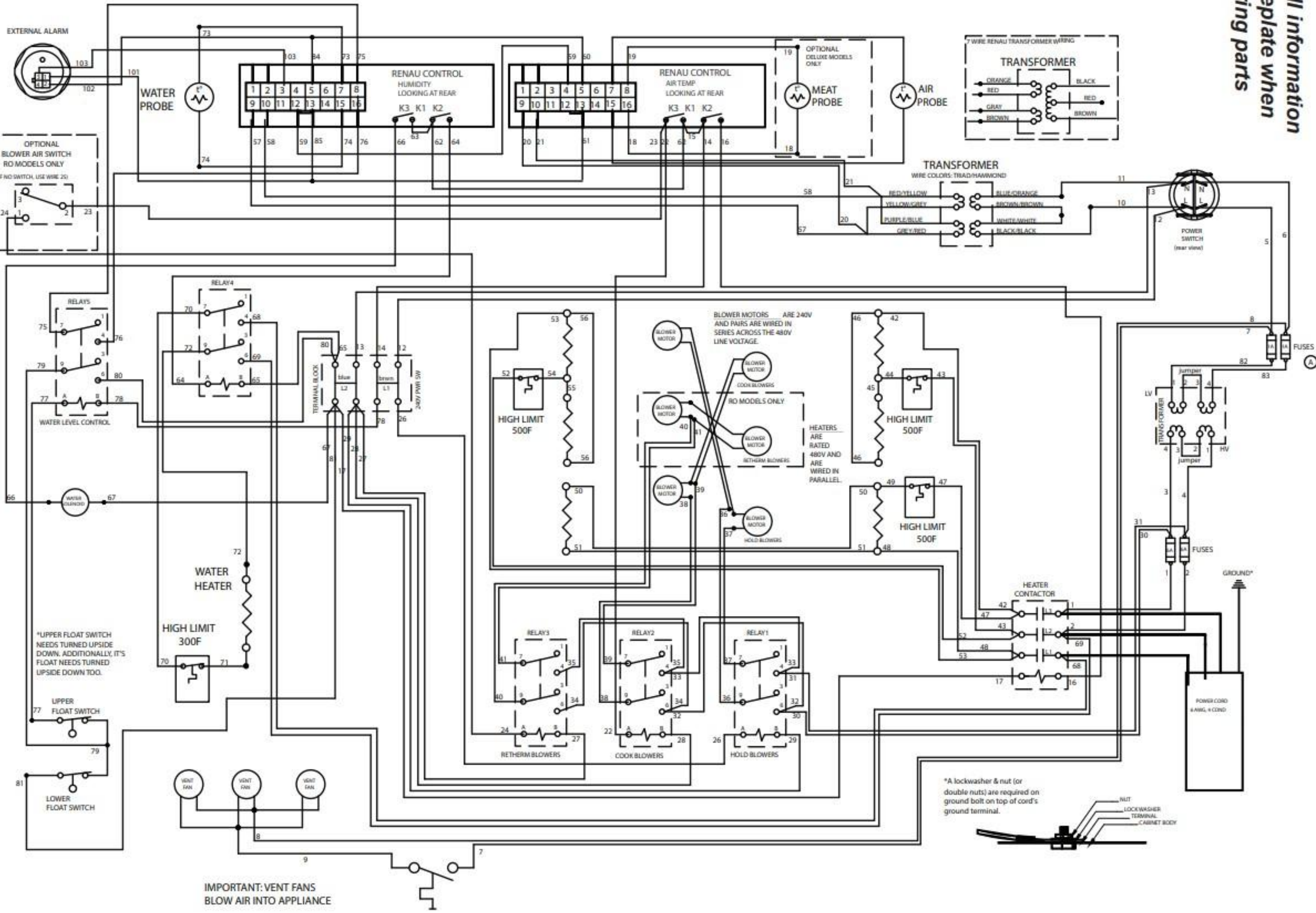


**Include all information
on nameplate when
ordering parts**



Include all information on nameplate when ordering parts



IMPORTANT: VENT FANS BLOW AIR INTO APPLIANCE

HIGH TEMP closes @130F

*A lockwasher & nut (or double nuts) are required on ground bolt on top of cord's ground terminal.

