

## INSTALLATION INSTRUCTIONS

### for PULL-DOWN INFRA RED MODELS IFW-63 SERIES

#### ELECTRICAL SPECS:

VOLTS	WATTS	AMPS	HERTZ	PHASE	NEMA
120	250	2.0	60	1	5-15
240	275	1.1	60	1	6-15

*Warmer should be installed by an experienced electrician.*

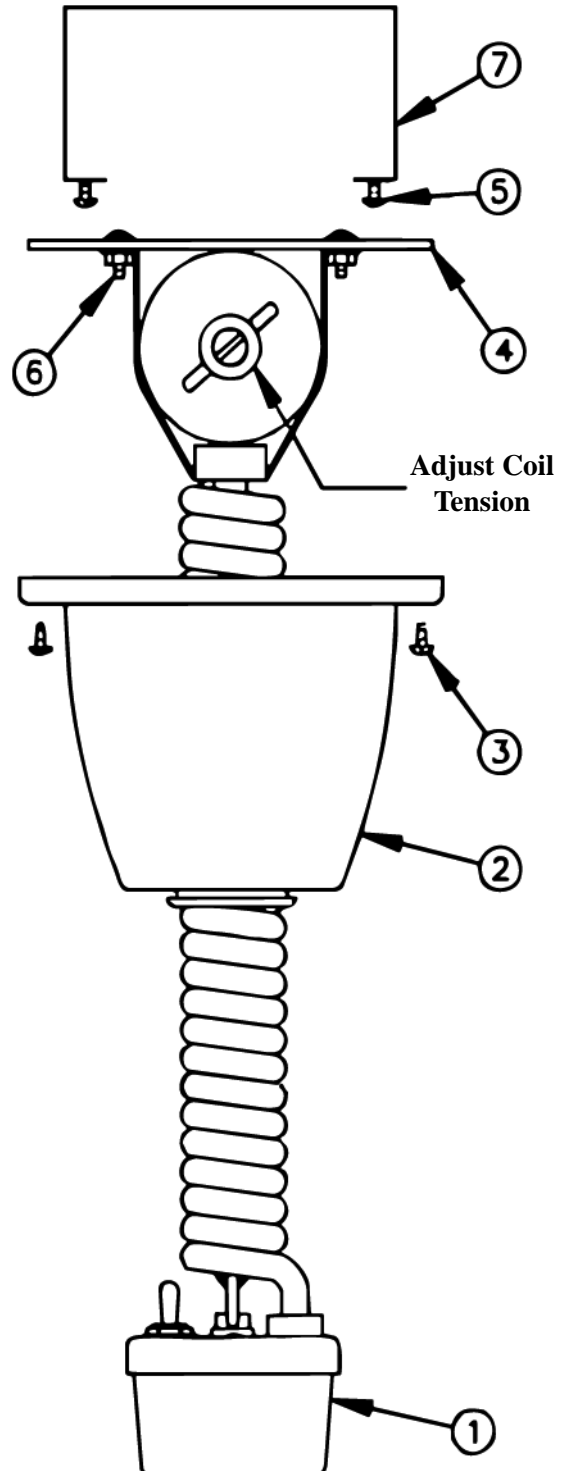
#### U.L. and CSA REQUIREMENTS:

- A. Wires of warmers to be connected to 75°C wire.
- B. Wires are to be installed in conduit.
- C. Warmers are not to be installed any closer than 1" from a wall.
- D. Warmers must be *at least* 16" above a combustible surface.

#### HOW TO INSTALL: (See figure at right)

NOTE: Outlet box (7) and screws (5) are to be furnished by customer.

1. Pull canopy (2) down over coil cord.
2. Attach ground wire from ceiling to the "GND" hole in the plate (4) with screw (6).
3. Wire the warmer leads to the outlet box (7) leads.
4. Attach plate (4) to the outlet box (7) with screws (5).
5. Lower or raise the coil cord to the height you want.
6. Adjust the tension of the coil cord in the slot as shown.
  - (a) To increase tension, turn slot clockwise.
  - (b) To decrease tension, turn slot counter clockwise.
7. Pull up canopy (2) and screw it to the plate (4) with two machine screws (3).
8. Screw lamp into socket.



**CAUTION** DO NOT PULL DOWN ON CORD BEYOND THE STOP.

Infra-red Lamps IFW 63 Series	<b>FL-2219</b>
Rev. 2 (05/06)	Page 2 of 2

## INSTALLATION INSTRUCTIONS

### for PULL-DOWN INFRA RED MODELS IFW-63 SERIES

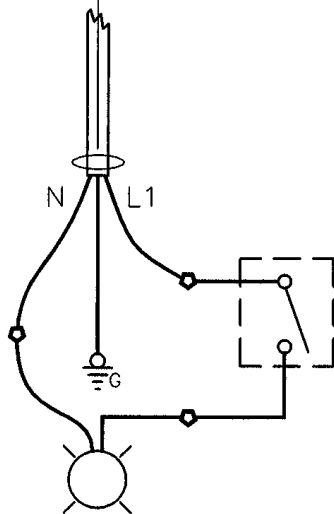
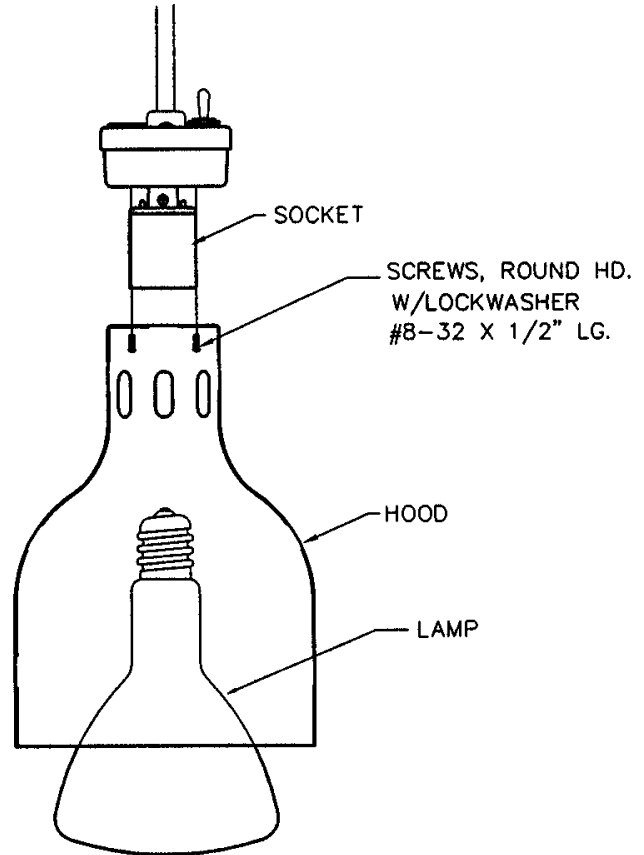
#### HOW TO INSTALL HOOD:

You will need a Phillips head (preferably magnetic) screwdriver with a long neck.

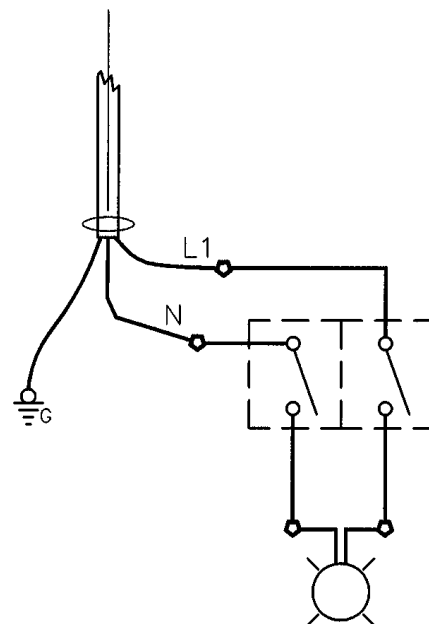
1. Slide the hole in the top of the hood over the socket.
2. Look inside of the hood and line up two (2) hood mounting holes with the holes in the arm assembly.
3. Put the screw provided on the screwdriver tip and screw loosely into one hole and then into the other; then tighten both screws.
4. Screw lamp into the socket.

#### REPLACEMENT PARTS:

DESCRIPTION	CMP No.
Lamp, Red (120V)	<a href="#">0820-001</a>
Lamp, White (120V)	<a href="#">0820-033</a>
Lamp, Red (240V)	0820-014
Socket	<a href="#">0822-037</a>
Switch (120V)	<a href="#">0808-002</a>
Switch (240V)	<a href="#">0808-122</a>
Reel/Pulley Assembly	<a href="#">1287-084</a>
Coil Cord (IFW 63)	<a href="#">0834-006</a>
Coil Cord (IFW 63L)	<a href="#">0834-007</a>



WIRE FOR 120V



WIRE FOR 240V