

OPERATING and MAINTENANCE INSTRUCTIONS Models: H138NPSCDOM-CE Series Hot Cabinets



H138NPSCDOM2MQCE

H138NPSCDOM3MQCE

Cabinet model number: _____

Cabinet serial number: _____

Authorized Service Agency: _____

Ph: _____ Fax: _____

Keep this manual for future reference.

Holding Cabinet	FL-2344-DOM
Rev. 5 (4/14)	Page 2 of 12

SUBJECT	PAGE
INSTALLATION INSTRUCTIONS	3, 4
OPERATING INSTRUCTIONS	4, 5
Illustration, Control Panel	5
MAINTENANCE INSTRUCTIONS	
How to Clean the Unit.....	5, 6
Cabinet Maintenance.....	6
Trouble Shooting Guide	7
Replacement Parts (Electrical).....	8
Replacement Parts (H138NPSCDOM2MQCE).....	9
Replacement Parts (H138NPSCDOM3MQCE).....	10
Wiring Diagram.....	11
SERVICE POLICY and AGENCY LIST	FL-1400

Model Identification:

Look for this label on the back of your cabinet. This information is needed when calling for questions or service.



INSTALLATION INSTRUCTIONS



INSTALLATION:



To avoid electrical shock, the cabinet must be adequately and safely grounded (earthed) according to local electrical codes.

(FOR EQUIPMENT WITH CE MARK ONLY)

To prevent electric shock hazard, this appliance must be bonded to other appliances or touchable metal surfaces in close proximity to this appliance with an equipotential bonding conductor. This appliance is equipped with an equipotential lug for this purpose. The equipotential lug is marked with the following symbol



Refer to the table below for electrical ratings:

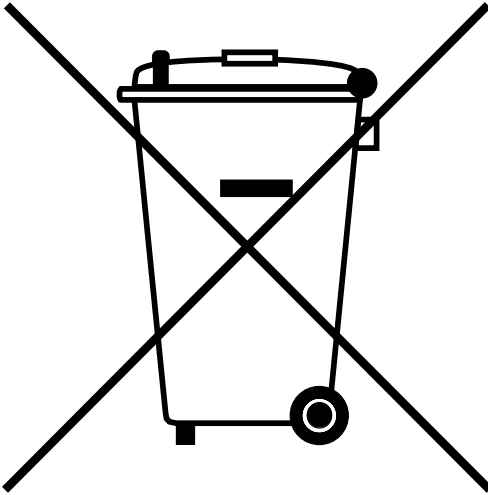
ELECTRICAL SPECIFICATIONS:

Model No.	Volts	Watts	Amps	Hertz	Phase
H138NPSCDOM2MQCE	230	1550	6.7	50	1
H138NPSCDOM3MQCE	230	2200	9.5	50	1

Note: The above model number is a basic model. It may include letters: L, GA, HT, or ending with S.

Holding Cabinet	FL-2344-DOM
Rev. 5 (4/14)	Page 4 of 12

INSTALLATION & OPERATION INSTRUCTIONS



NOTE:

Our products have been evaluated to the WEEE directive. We have also reviewed our products to determine if they comply with the Restriction of Hazardous Substances directive (RoHS) and have redesigned our products as needed in order to comply. To continue compliance with these directives, this unit must not be disposed as unsorted municipal waste. For proper disposal, please contact The Authorized Agent:

Eurocatering Equipment Limited
Unit 3 Turnpike Close, Off Bilton Way
Lutterworth Leicestershire, LE17 4YB
United Kingdom

This appliance is not intended for use by persons (including children) with reduced physical, sensory or mental capabilities, or lack of experience and knowledge, unless they have been given supervision or instruction concerning use of the appliance by a person responsible for their safety. Children should be supervised to ensure that they do not play with the appliance.

OPERATION:

FIRST TIME START-UP:

1. Push the POWER switch to “ON”, and run the cabinet for one hour.

NOTE: **DO NOT PUT FOOD INTO THE CABINET!**

This step is to burn off manufacturing oils and excess adhesive.

2. Let the cabinet cool and wipe the inside clean with detergent and hot water before first use.

INSTALLATION:

1. Remove all paper and packing material from inside of cabinet.
2. Remove protective paper and vinyl material from outside surfaces of cabinet.
3. Place the cabinet in a well-ventilated area.
4. Place cabinet on level floor.
5. Plug cord end into proper wall outlet.



Blower inlet guard must be in place before operating cabinet.

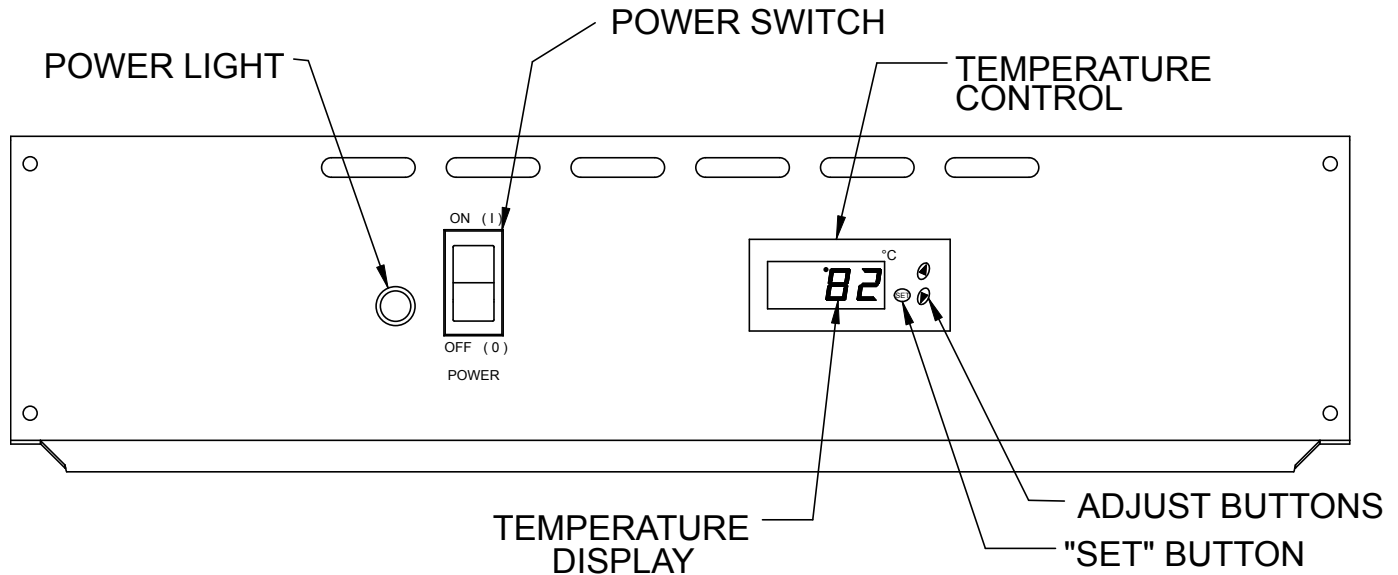


Air is **VERY HOT** when door is opened.



**Do not reverse door openings.
It may result in injury.**

OPERATING & MAINTENANCE INSTRUCTIONS



HOW TO HOLD:

1. Push POWER switch to "ON." POWER LIGHT will come on.
2. The control is preset to maintain an average temperature of 82°C. Displayed temperatures will change during loading and unloading of product.
3. Preheat cabinet for 45 minutes.
4. Put product into cabinet.

NOTE: Proper food holding temperature is 140°F/60°C or higher.

WARNING Air is **VERY HOT** when door is opened.

HOW TO CLEAN THE UNIT:

WARNING

BEFORE cleaning the cabinet:

1. Turn off controls and disconnect from power supply.
2. Allow cabinet to cool.

CAUTION

1. Do **NOT** use abrasives (steel wool) or harsh chemicals (chlorine, bromine, iodine or ammonia).
2. Do **NOT** use water sprayer (pressure sprayer) to clean the cabinet.

Cleaning hints:

1. Wipe up spills as soon as possible.
2. Clean cabinet daily to avoid heavy dirt build-up.
3. Make a test spot with cleaner:
 - a) Follow manufacturer's directions on cleaner.
 - b) Do not mix cleaners.
 - c) Avoid drips and splashes

NOTE: Gaskets are removable for cleaning.

Holding Cabinet	FL-2344-DOM
Rev. 5 (4/14)	Page 6 of 12

MAINTENANCE INSTRUCTIONS

HOW TO CLEAN THE UNIT (*continued*):

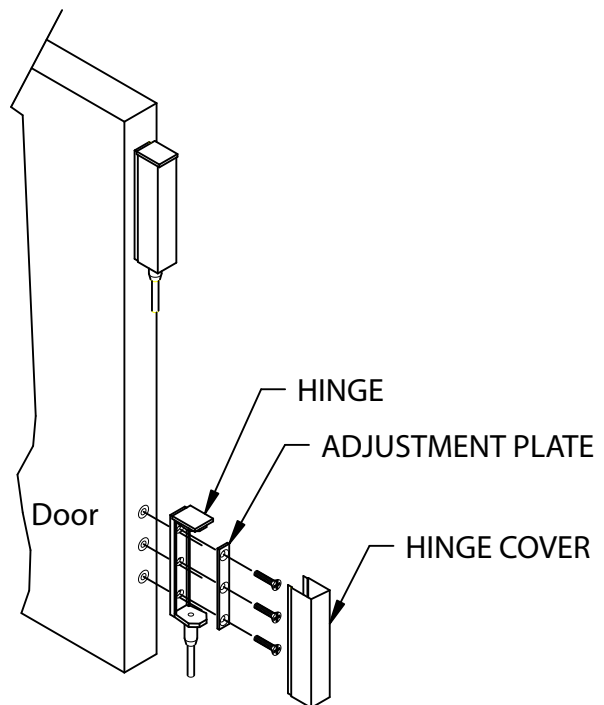
	Soil	Cleaner	Method
CABINET Inside and Outside (Stainless Steel)	DAILY CLEANING	Mild detergent and hot water.	1. Sponge on with cloth. 2. Rinse with water 3. Wipe dry
	STUBBORN SPOTS AND STAINS	Mild abrasive made for stainless steel	1. Apply with damp sponge or cloth. 2. Rub lightly 3. Rinse with water and wipe dry.
	BURNT-ON FOODS OR GREASE	Chemical oven cleaner for stainless steel	Follow oven cleaner's manufacturer's directions.
	HARD WATER SPOTS and SCALE	Vinegar	1. Swab or wipe with cloth. 2. Rinse dry.
<i>*Mild detergents include soaps and non-abrasive cleaners.</i>			

CAUTION

**Do not reverse door openings.
It may result in injury.**

How to adjust/tighten the hinges:

1. Open the door 180°, lift it up and off. Lay it down with the outside up.
2. Pop off hinge covers with a screwdriver.
3. Loosen the screws that hold hinges to the door. Those holes are slotted for adjustment.
 - a) Push the hinge back for the door to close easier; or
 - b) Pull the hinge forward to close the gap between the door and the cabinet.
4. Tighten the screws and then test the door.



MAINTENANCE INSTRUCTIONS TROUBLE-SHOOTING GUIDE

WARNING

**IF UNIT GETS TOO HOT OR WON'T SHUT OFF, DISCONNECT
POWER AT BRANCH PANEL. DO NOT UNPLUG CORD!**

SIMPLE TROUBLE-SHOOTING CHART:

FAILURE

1. POWER LIGHT does NOT light

2. Unit does not heat or not heating properly

3. Unit gets too hot or won't shut off.

4. Blower does not work or makes noise

5. GFCI device trips

POSSIBLE CAUSE

1a. Switch is "OFF"

1b. Cord is unplugged from wall outlet.

1c. Circuit breaker/fuse to wall outlet tripped/blown.

2a. Temperature control is set too low.

2b. Switch is "OFF".

2c. Doors are open too much.

2d. Gaskets are worn or torn.

2e. Thermometer not reading true temperature. Check cabinet temperature with another thermometer.

3a. Defective thermostat or blower.

4a. Defective blower.

5a. Plug the cabinet into a non-GFCI outlet and set the temperature control to its maximum. Let the cabinet run for about 1 hour to dry out the heating element from any moisture that may have been absorbed. After drying the heating element, plug cabinet into the GFCI receptacle; the cabinet should run properly. **If the GFCI device continues to trip, call the factory Authorized service agent.**

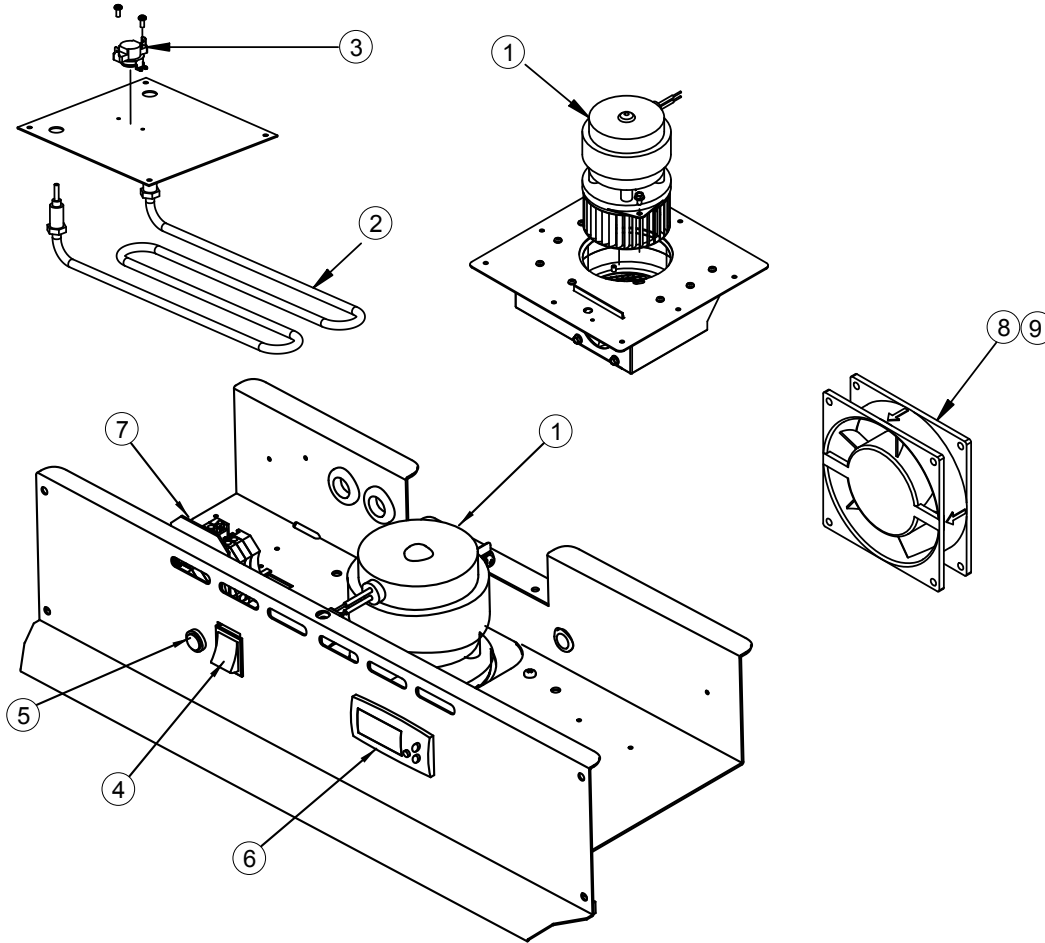
If the power supply cord is damaged, it must be replaced by the manufacturer, its service agent or similarly qualified persons in order to avoid a hazard.

If cause is none of the above, refer to our list of Authorized Service Centers, FL-1400

Holding Cabinet	FL-2344-DOM
Rev. 5 (4/14)	Page 8 of 12

REPLACEMENT PARTS

Include all information on nameplate when ordering parts

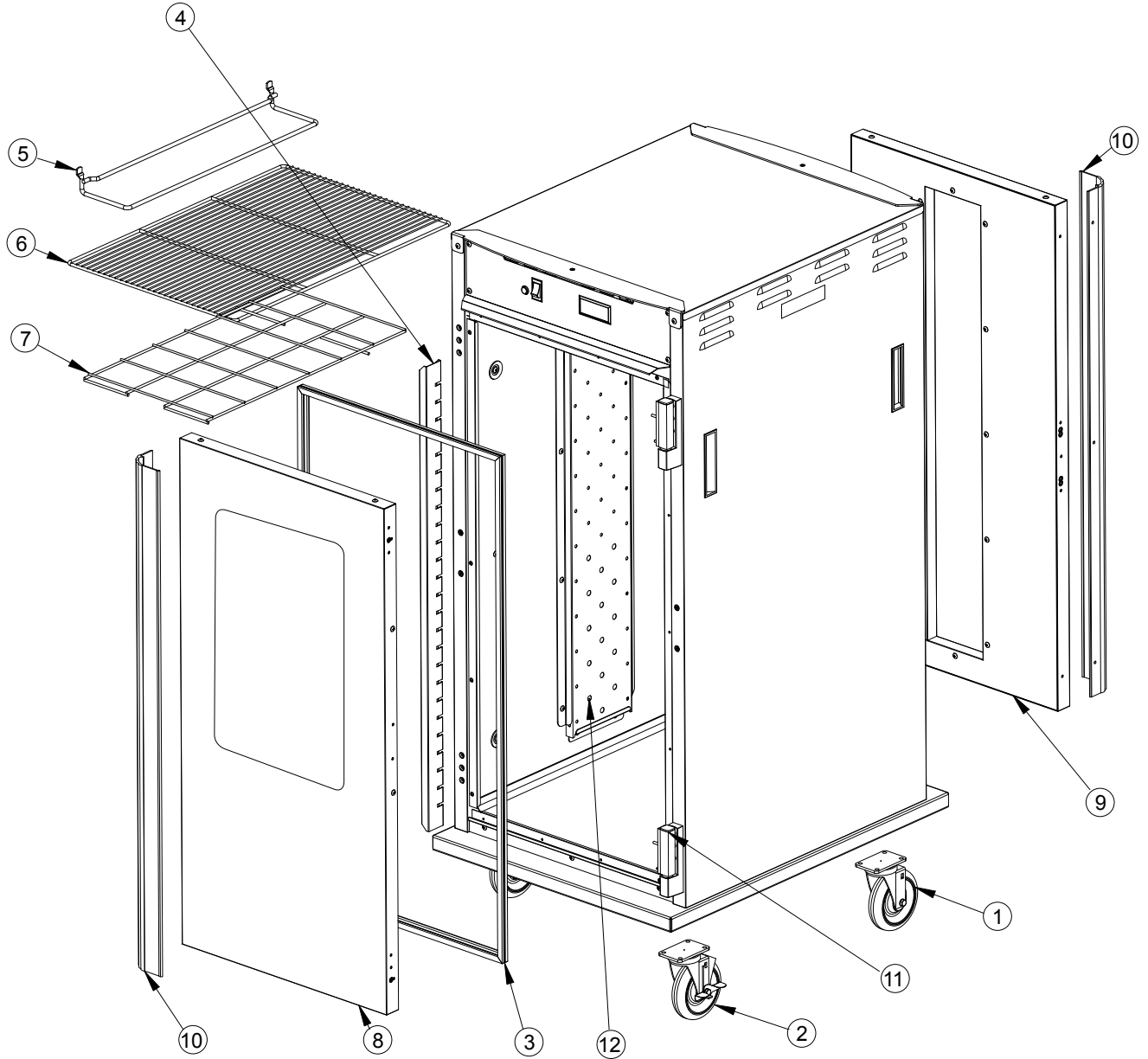


ITEM DESCRIPTION

1	Blower Kit		0769-182-01-ALK
2	Heater Kit, Air	1370 Watt	0811-289-K
		2000 Watt	0811-256-K
3	High Limit		0848-085
4	Power Switch		0808-119
5	Power Light		0769-097
6	Temperature Control		0848-084-DOM-K
7	Terminal Block		0978-021
8	Vent Fan		0769-174
9	Fan Guard		0769-167
	Power Cord, United Kingdom	10 Amp	0810-146
		16 Amp	0810-174
	Strain Relief		0818-082

REPLACEMENT PARTS

Include all information on nameplate when ordering parts



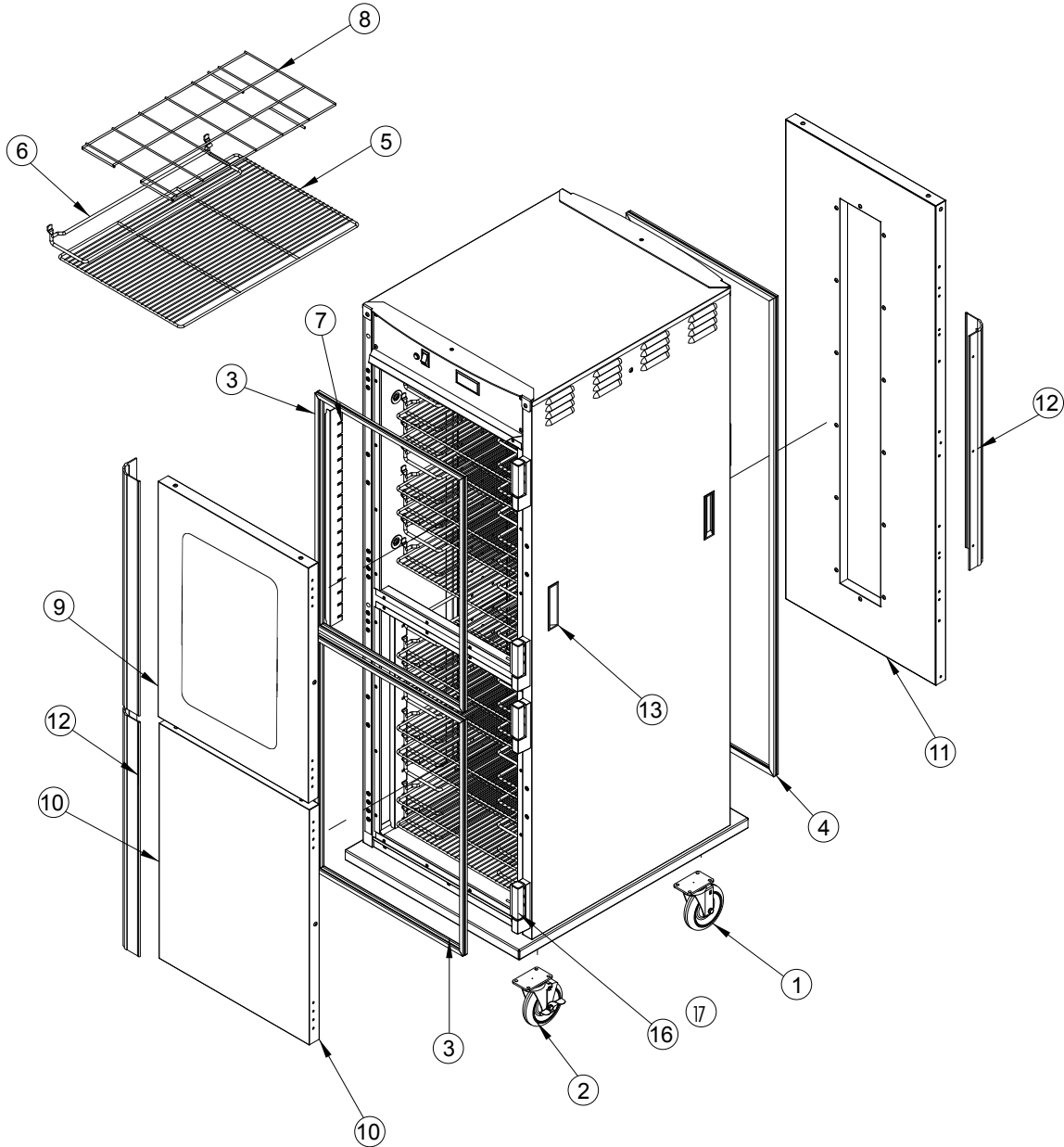
CABINET REPLACEMENT PARTS: H138NPSCDOM2MQCE

Item	Description	Part No.	Item	Description	Part No.
1	Caster	0569-306-K	7	Wire blower inlet guard	1170-211
2	Caster with brake	0569-306-BK	8	Door, Front	1221-564
3	Gasket, doors	0861-264	9	Door, back	1221-565
4	Post, wire angle	0696-169	10	Handle, door	0911-112
5	Wire angle, set of 2	0621-281-K	11	Hinge Kit, lift off, set of 2	0519-114-K
6	Wire shelf	1170-005	12	Air Tunnel	0546-142

Holding Cabinet	FL-2344-DOM
Rev. 5 (4/14)	Page 10 of 12

REPLACEMENT PARTS

Include all information on nameplate when ordering parts



CABINET REPLACEMENT PARTS: H138NPSCDOM3MQCE

Item	Description	Part No.	Item	Description	Part No.
1	Caster, rigid	0569-306-R	9	Door, front, window	1221-610
2	Caster with brake	0569-306-BK	10	Door, front, solid	1221-534
3	Gasket, front doors	0861-245-K	11	Door, back, window	1221-629
4	Gasket, back door	0861-246-K	12	Handle, door	0911-111
5	Wire shelf	1170-005	13	Pull Handle, black	0911-087
6	Angle, Wire	0621-281-K	16	Hinge Kit, lift off, set of 2	0519-114-K
7	Post, rack	0696-228	17	Door stop	0553-740
8	Wire blower inlet guard	1170-211	18	Air tunnel	0546-120

WIRING DIAGRAM

