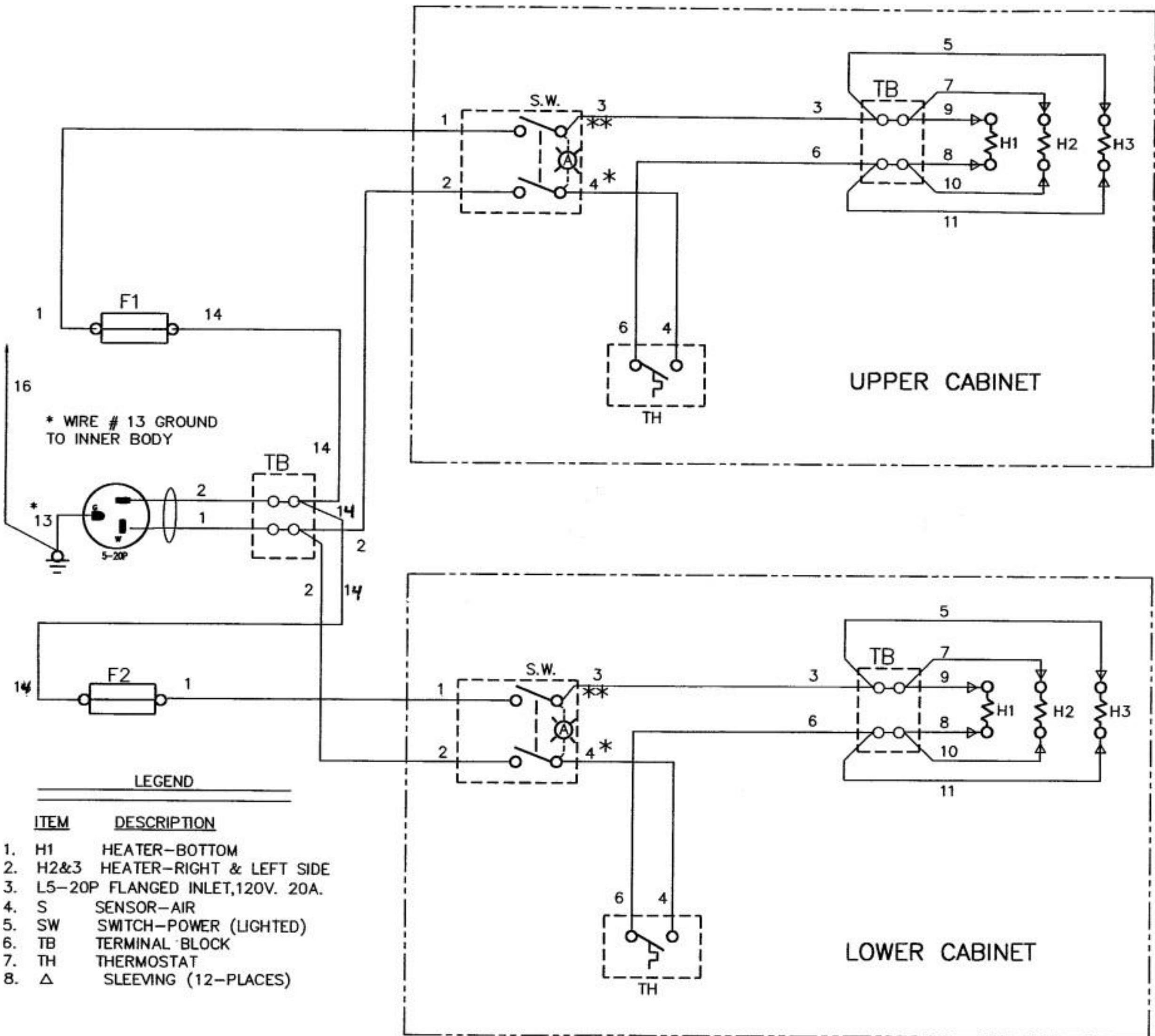


TO UPPER CABINET



* WIRE # 13 GROUND TO INNER BODY

LEGEND

ITEM	DESCRIPTION
1.	H1 HEATER-BOTTOM
2.	H2&3 HEATER-RIGHT & LEFT SIDE
3.	L5-20P FLANGED INLET, 120V. 20A.
4.	S SENSOR-AIR
5.	SW SWITCH-POWER (LIGHTED)
6.	TB TERMINAL BLOCK
7.	TH THERMOSTAT
8.	Δ SLEEVING (12-PLACES)