

**OPERATING and MAINTENANCE INSTRUCTIONS
 MODEL: H339127LJ & H339127PLJ (PASS THRU)
 BROILED HOLDING UNIT FOR LONG JOHN SILVER'S**

ELECTRICAL SPECIFICATIONS:

MODEL	Volts	Watts	Amps	Hertz	Phase	NEMA
H-339-127-LJ H-339-127-PLJ	120	900	7.5	60	1	5-15

Models are designed for AC service.

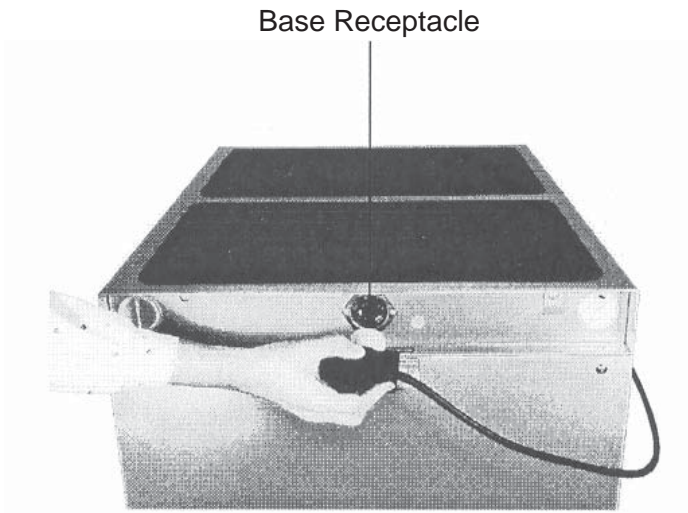


FIGURE 1

HOW TO INSTALL UNIT: (Figure 1)

1. Plug cord into receptacle in back of unit.
(Side of unit for H339127PLJ)
2. Turn plug clockwise to lock.
3. Plug other end into 15 amp. wall outlet.
4. Place cabinet in a well ventilated area.
5. Push the switch on, turn the thermostat to No. 10 and run the unit for one hour.

NOTE: DO NOT PUT IN FOOD! This step is to burn off manufacturing oils and excessive adhesive.

6. Let the cabinet cool and wipe inside clean with detergent and hot water before use.



FIGURE 2

HOW TO OPERATE UNIT: (Figure 2)

1. Push switch "ON". Yellow light will come on.
2. Turn thermostat to the temperature you need.

NOTE: No. 7½ setting will give you about 180° F. Proper food holding temperature is 140° F or higher.

3. Preheat cabinet for 45 minutes
4. Put food into cabinet.

To Turn Off Unit:

Push switch "OFF". The yellow light will go off.

NOTE: Thermometer in the front door gives the inside cabinet temperature.

Insulated Holding Cabinet	FL-0520-7
Rev. 1 (10/08)	Page 2 of 4

OPERATING and MAINTENANCE INSTRUCTIONS

MODEL: H339127LJ & H339127PLJ (PASS THRU)

BROILED HOLDING UNIT FOR LONG JOHN SILVER'S

WARNING

BEFORE CLEANING CABINET:

1. **Unplug power cord from wall.**
2. **Do NOT hose cabinet with water.**
3. **Do NOT get water on controls.**
4. **Do NOT use abrasives or harsh chemicals.**

Hints:

1. Wipe up spills as soon as possible.
2. Clean cabinet regularly to avoid heavy dirt build-up.
3. Make a test spot with cleaner.
4. Follow manufacturer's directions on cleaner.
5. Do not mix cleaners.
6. Avoid drips and splashes.

HOW TO CLEAN UNIT:

	SOIL	CLEANER	METHOD
CABINET Inside and Outside (Stainless Steel)	ROUTINE CLEANING	Soap, Ammonia, or mild* detergent and water	1. Sponge on with cloth. 2. Rinse with water. 3. Wipe dry.
	STUBBORN SPOTS AND STAINS	Mild abrasive made for stainless steel	1. Apply with damp sponge or cloth. 2. Rub lightly.
	BURNT-ON FOODS OR GREASE	Chemical oven cleaner for stainless steel	Follow oven cleaner manufacturer's directions.
	HARD WATER SPOTS and SCALE	Vinegar	1. Swab or wipe with cloth. 2. Rinse and dry.

* Mild detergents include soaps and non-abrasive cleaners

TROUBLE-SHOOTING CHART

FAILURE	POSSIBLE CAUSE/CHECK
1. Unit does not heat:	1a. Thermostat turned up.
	1b. Switch is "ON".
	1c. Cord is plugged into cabinet.
	1d. Cord is plugged into outlet.
	1e. Circuit breaker/fuse for wall outlet.
2. Unit will not turn off:	2a. Thermostat turned down.
	2b. Switch is "OFF"

If cause is none of the above, refer to our list of authorized service agencies, FL-1400.

Instructions for replacing parts are included in replacement parts kits.

REPLACEMENT PARTS

Cabinet Receptacle	0713-011
Cord Set	0810-031-1
Switch	0808-103
Heater Kit	0811-066-K
Thermostat Kit	0848-008-ACK
Terminal Block	0852-008
Door Latch Kit	1006-142-K1
Strike Kit	1006-142-01-K
Hinge Kit	6507-005
Thermometer Kit	5238-008-K
Gasket Kit	0861-077
Door Kit (w/Thermometer)	H339037-15-K
Door Kit (w/o Thermometer)	H339037-41-K
Rack Insert	H339037-28
Pan Support Frame	H339031-33

OPERATING and MAINTENANCE INSTRUCTIONS
MODEL: H339127LJ & H339127PLJ (PASS THRU)
BROILED HOLDING UNIT FOR LONG JOHN SILVER'S

HOW TO REVERSE DOOR HARDWARE FOR OPPOSITE HAND

(Refer to Figure 3 [hinge] and Figure 4 [latch]):

1. Remove hinge covers with a screwdriver.
2. Remove screws from hinges to door (Item 1) and hinge brackets to cabinet (Item 2).
3. Remove screws from latch to door (Item 3) and latch bracket to cabinet.

NOTE: Keep hinges and latch strike mounted to the brackets.

4. Remove all remaining screws from both sides of door and cabinet in that area. Keep all screws.
5. Turn latch strike bracket 180° and mount it to the opposite side of the cabinet with the same screws you removed. Do the same with the hinge brackets.
6. Line up (4) latch holes to door holes on the opposite side of the door. Mount latch with same screws that were removed.
7. Mount hinges to the opposite side of the door and snap on the hinge covers.
8. Plug remaining holes with screws.

HOW TO ADJUST THE DOOR LATCH:
 (Refer to Figure 4)

1. For vertical adjustment (up and down movement):
 - a. Loosen (2) screws located in magnetic strike attached to bracket on cabinet.
 - b. Move strike up or down for alignment to magnet on latch.
 - c. Tighten screws to secure.
2. For horizontal adjustment (greater or lesser magnetic draw):
 - a. Loosen (4) screws in door latch.
 - b. Move latch forward or backward to adjust magnetic draw.
 - c. Tighten screws to secure.

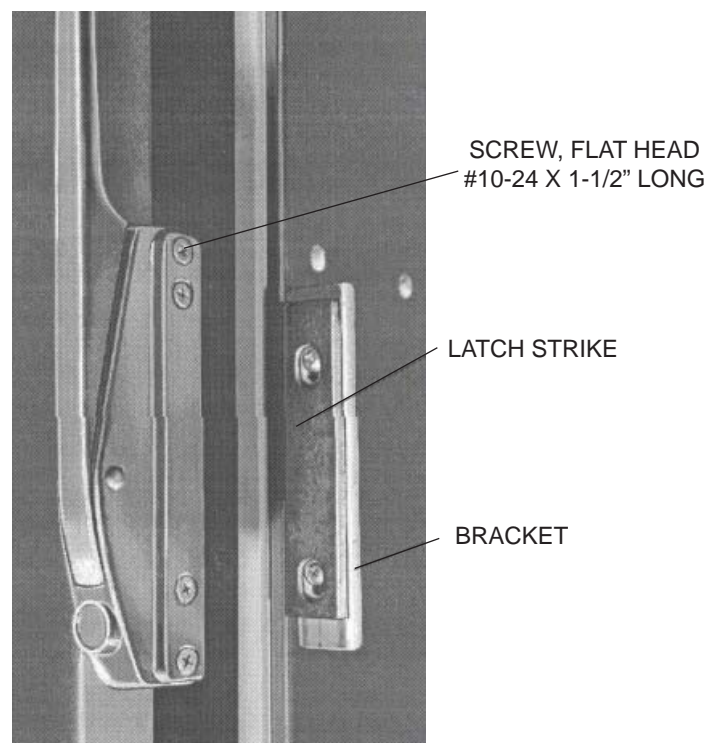
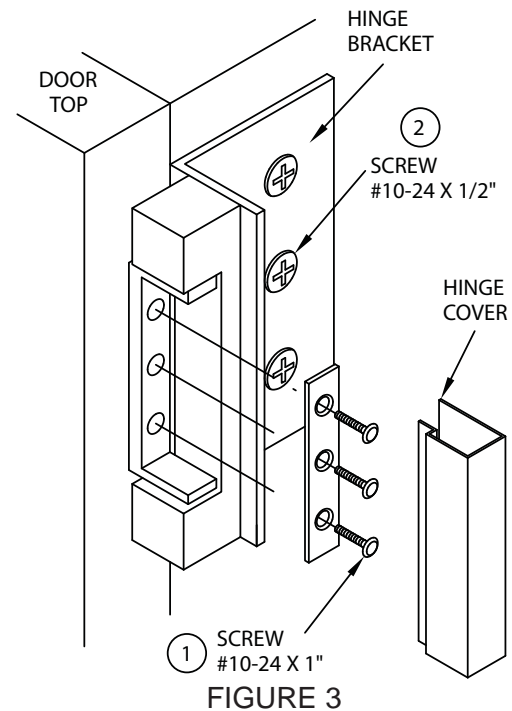
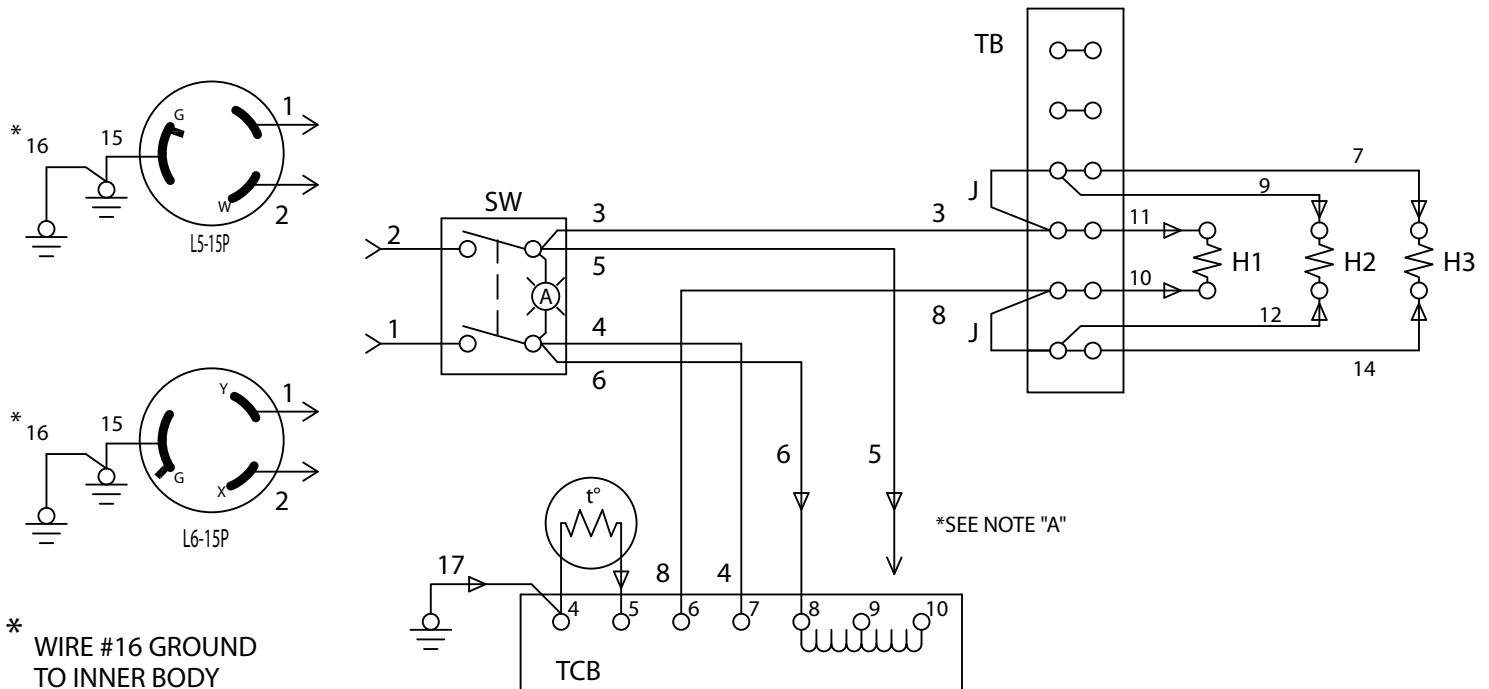


FIGURE 4

Insulated Holding Cabinet	FL-0520-7
Rev. 1 (10/08)	Page 4 of 4

OPERATING and MAINTENANCE INSTRUCTIONS
MODEL: H339127LJ & H339127PLJ (PASS THRU)
BROILED HOLDING UNIT FOR LONG JOHN SILVER'S

WIRING DIAGRAM



LEGEND

ITEM	DESCRIPTION
1.	H1 HEATER - BOTTOM
2.	H2 & 3 HEATER - RIGHT AND LEFT SIDE
3.	L5-15P FLANGED INLET, 120V. 15A.
4.	L6-15P FLANGED INLET, 250V. 15A.
5.	S SENSOR - AIR
6.	SW SWITCH - POWER (LIGHTED)
7.	TB TERMINAL BLOCK
8.	TCB TEMPERATURE CONTROL BOARD
9.	△ SLEEVING 4-PLACES
10.	J JUMPER #807-107

NOTE "A"

FOR 120V., ATTACH WIRE #5 TO TERMINAL #9
FOR 250V., ATTACH WIRE #5 TO TERMINAL #10