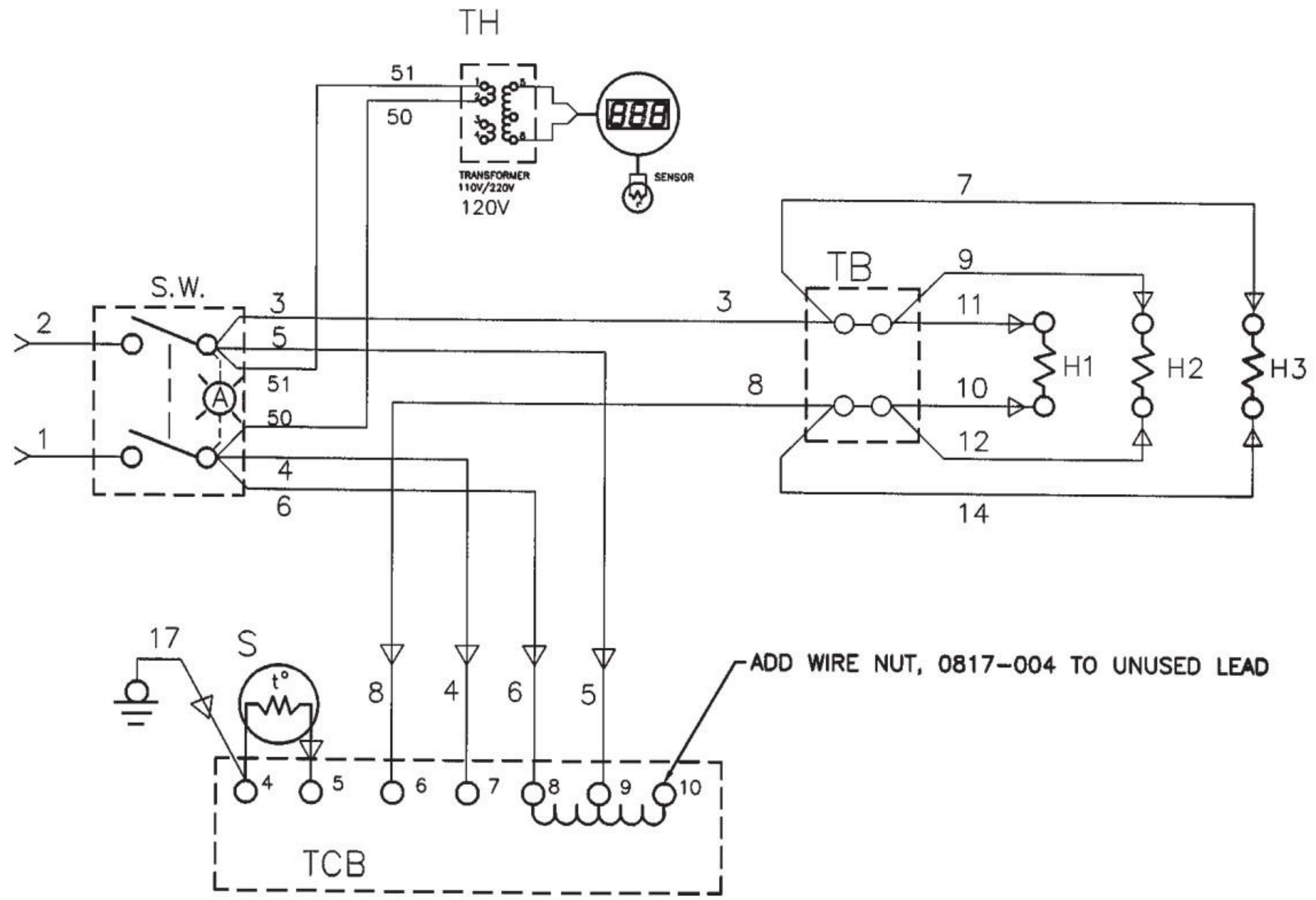


\* WIRE # 16 GROUND TO INNER BODY



ADD WIRE NUT, 0817-004 TO UNUSED LEAD