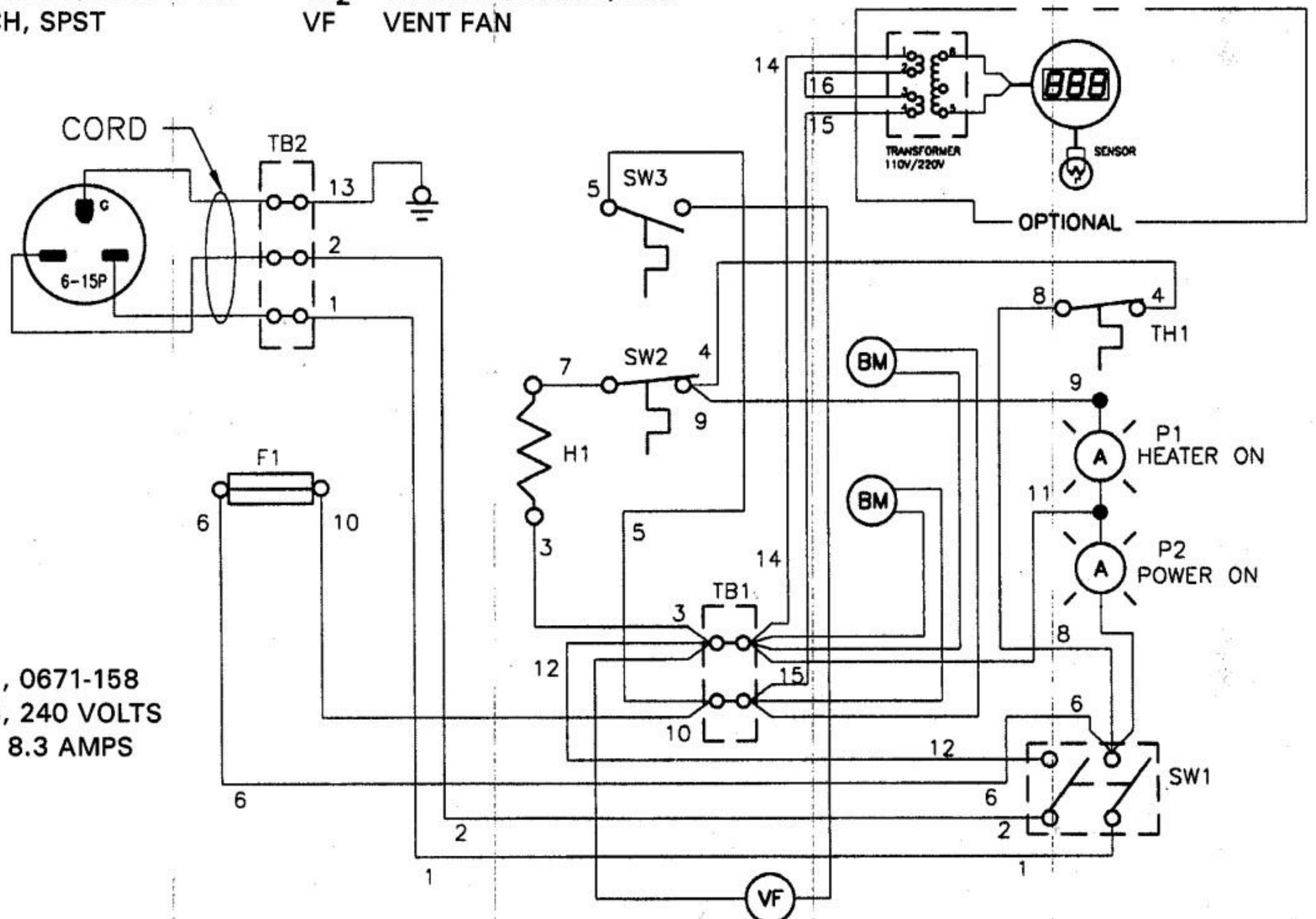


0671-044-G1, 0671-157
 2000 WATTS, 120 VOLTS
 1 PH, 60 HZ., 16.6 AMPS

LEGEND

P2 PILOT LIGHT, POWER ON
 SW₁ SWITCH, SPST
 TB₂ TERMINAL BLOCK, Rear
 VF VENT FAN



0671-045-G1, 0671-158
 2000 WATTS, 240 VOLTS
 1 PH, 60 HZ, 8.3 AMPS