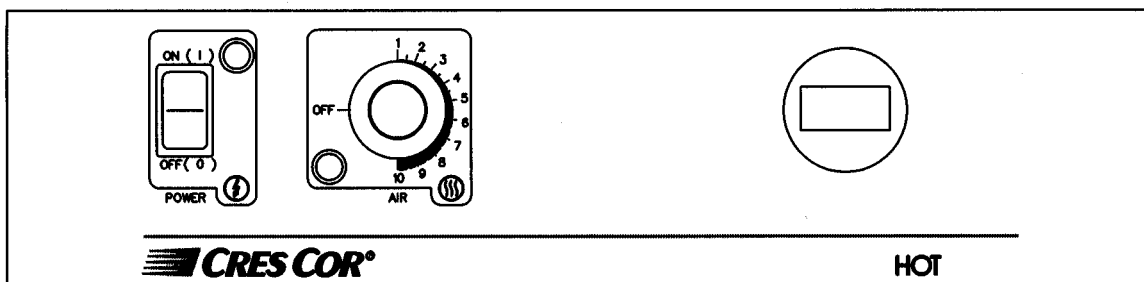


OPERATING and MAINTENANCE INSTRUCTIONS For H 149 Series Pass-thru Warming Cabinets

ELECTRICAL SPECIFICATIONS:

CRES COR Model No.	Hot Unit	Watts	Amps	Phase	Hertz	NEMA
H149PC 1816R, L, RL H149UA12, L, RL	HU-18-671-44-G1 HU-18-671-157	2000	16.7	1	60	5-20P
H149PC 1816R, L, RL w/240V Suffix H149UA12, L, RL w/240V Suffix	HU-18-671-45-G1 HU18-671-158	2000	8.3	1	60	6-15P

All models are approved by *National Sanitation Foundation* under Standard 4, listed by *Underwriters Laboratories* under file E27846. All models are designed for AC Service.



HOW TO INSTALL HOT UNIT

NOTE: Hot unit is shipped separately because of the overall height.

- Place hot unit on the top of the cabinet. Make sure the duct that extends out of the hot unit bottom goes into the side ducts of the cabinet top.
- Latch hot unit to the cabinet on both sides.
- Plug power cord into the proper wall outlet.
- Humidity Pan (for H149PC1816 Series ONLY)
 - Make sure splash baffles are inside humidity pan (metal pan only).
 - Fill pan one-half full with water.
 - Slide pan into the angles located at the inside top of the cabinet.

HOW TO START UNIT

- Push switch to “ON”; *yellow* light will come on.
- Turn thermostat to No. 10; *yellow* light will come on.
- Preheat cabinet for 45 minutes.
- Put food into the cabinet.
- Turn thermostat to the temperature you need.

NOTE: No. 7 is approximately 175°F (79°C).

No. 5 is approximately 150°F (66°C).

[Proper food holding temperature is 140°F (60°C) or higher]

HOW TO TURN UNIT OFF



Push switch to “OFF”.

OPERATING and MAINTENANCE INSTRUCTIONS For H 149 Series Pass-thru Warming Cabinets

HOW TO CLEAN UNIT



1. ALLOW CABINET TO COOL.
2. REMOVE HOT UNIT BEFORE CLEANING.
3. DO NO USE ABRASIVES OR HARSH CHEMICALS.

	WARNING RISK OF FIRE OR ELECTRIC SHOCK DO NOT OPEN	
WARNING: TO REDUCE THE RISK OF FIRE OR ELECTRIC SHOCK, DO NOT REMOVE COVER (OR BACK) NO USER-SERVICEABLE PARTS INSIDE REPAIR SHOULD BE DONE BY AUTHORIZED SERVICE PERSONNEL ONLY		

HINTS:

- | | |
|---|--|
| <ol style="list-style-type: none"> 1. Wipe up spills as soon as possible. 2. Clean cabinet regularly to avoid heavy dirt build-up. 3. Make a test spot with cleaner. | <ol style="list-style-type: none"> 4. Follow manufacturer's directions on cleaner. 5. Do not mix cleaners 6. Avoid drips and splashes. 7. 7. Empty water pan at least once a week. |
|---|--|

	Soil	Cleaner	Method
CABINET Inside and Outside <i>(Stainless Steel)</i>	Routine cleaning	Soap, ammonia, or detergent* and water.	1. Sponge on with cloth 2. Rinse.
	Stubborn spots and stains	Mild abrasives made for stainless steel.	1. Apply with damp sponge or cloth. 2. Rub lightly.
	Burnt-on foods or grease.	Chemical oven cleaner.	1. Apply generous coating. 2. Allow to stand for 10-15 minutes. 3. Rinse 4. Repeat application if necessary.
	Hard water spots and scale	Vinegar	1. Swab or wipe with cloth. 2. Rinse and dry.
HOT UNIT, RACK INSERTS Side Wall Air Duct and Humidity Pan <i>(Aluminum)</i>	Fingerprints, grease or oil.	Detergent* and hot water	1. Wipe with soft, damp cloth. 2. Rinse with hot water. 3. Wipe dry.
		Mild abrasive cleaner. Oily or waxy cleaner.	Apply with soft, clean cloth.
	Water spots	Mild abrasive cleaner.	Wipe with damp cloth.
<i>*Mild detergents include soaps and non-abrasive cleaners.</i>			

OPERATING and MAINTENANCE INSTRUCTIONS For H 149 Series Pass-thru Warming Cabinets

ELECTRICAL MAINTENANCE

1. If an electrical malfunction should occur, check the following:
2. Hot Unit is plugged into electrical outlet.
3. Switch is turned to “ON”.
4. Thermostat is “ON” and turned to desired temperature.

If all of the above conditions are satisfactory and the malfunction still exists, check out one or more of the “Failures” listed below.



**IF UNIT GETS TOO HOT OR WON'T SHUT OFF,
 DISCONNECT POWER AT BRANCH PANEL. DO NOT
 UNPLUG CORD.**

TROUBLE-SHOOTING CHART

FAILURE	POSSIBLE CAUSE / CHECK
1. The cabinet doesn't heat properly.	a. Fuse b. Thermostat c. Heater d. Blower e. Hi-Limit Switch f. “ON/OFF” Switch
2. Motor blowers do not operate.	a. “ON/OFF” Switch b. Fuse c. Motor Blower
3. Heaters won't shut off.	a. Thermostat
4. Vent fan does not shut off	a. Vent Fan Switch b. Control Compartment still hot
5. Vent fan does not operate	a. Fuse b. Defective Vent Fan Switch c. Defective Vent Fan

NOTES: Vent fans will continue to run until cabinet is cool. *Do not* disconnect the power supply to the cabinets while vent fan is still operating.
 Optional digital thermometer will flash if cabinet temperature is below 140°F or above 250°F. Call the factory if you need different settings.



5925 Heisley Road • Mentor, OH 44060-1833
 877/CRES COR (273-7267) • 440/350-1100
 Fax: 440/350-7267 • www.crescor.com

Pass-thru Warming Cab., H 149 Series	FL-2092
Rev. 6 (9/04)	Page 4 of 5

OPERATING and MAINTENANCE INSTRUCTIONS For H 149 Series Pass-thru Warming Cabinets

REPLACEMENT PARTS

Description	120 Volt	240 Volt
Hot Unit for 2222 Ser. Cab.	HU1867144G1	HU1867145G1
Hot Unit for 149UA12 Cab.	HU18671157	HU18671158
Water Pan (Metal)	1017-051	1017-051
*Water Pan (Plastic)	1017-076	1017-076
Heater Kit	0811-022-K	0811-023-K
Blower Kit	0769-005-K	0769-006-K
Thermostat Kit	0848-062-K	0848-062-K
Switch Kit	0808-118-K	0808-116-K
Power Pilot Light, Yellow	0766-094	0766-095
Heater ON Light, Yellow	0766-094	0766-095
Power Cord	0810-065	0810-039
Terminal Block	0852-091	0852-091
Terminal Block, Rear	0852-090	0852-090
Fuse	0807-058	0807-058
Fuse Holder	0807-048	0807-048
Hi Limit	0848-033	0848-033
Vent Fan	0769-045	0769-029
Vent Fan Filter	0769-140	0769-140
Thermometer Kit, Analog	5238-030	5238-030
Thermometer Kit, Digital	5238-034	5238-034
Transformer	0769-159	0769-159

***NOTE:** When replacing Hot Unit for 2222-001B, -002B, -003B Cabinets, Water Pan [1017-076](#) must be used.

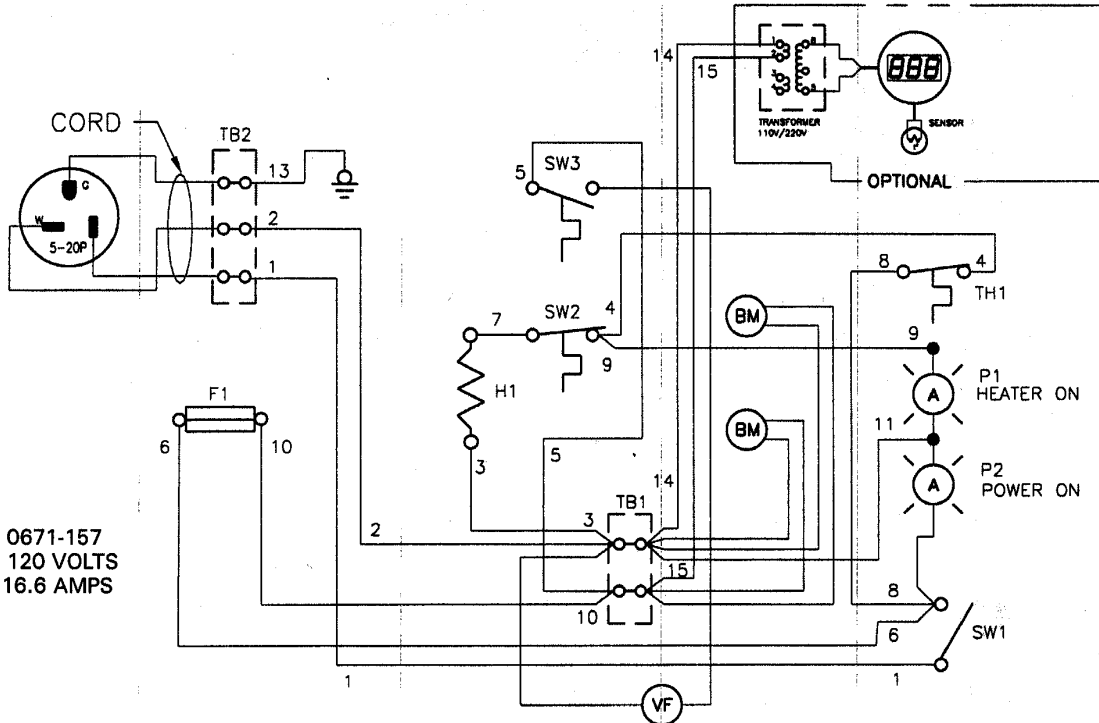
CABINET PARTS: 2222-001B, -002B, -003B, 2222-001C, -002C, -003C

Description	CMP Part No.
Door Kit	1221-455-K
Gasket Kit	0861-168
Hinge Kit	0519-087-K
Latch Kit (Optional)	1006-106
Strike Kit (Optional)	1006-107

CABINET PARTS: -149UA12 Series

Description	CMP Part No.
Door Kit	1221-456-K
Gasket Kit	0861-223-K
Hinge Kit	
Latch Kit (Optional)	
Strike Kit (Optional)	

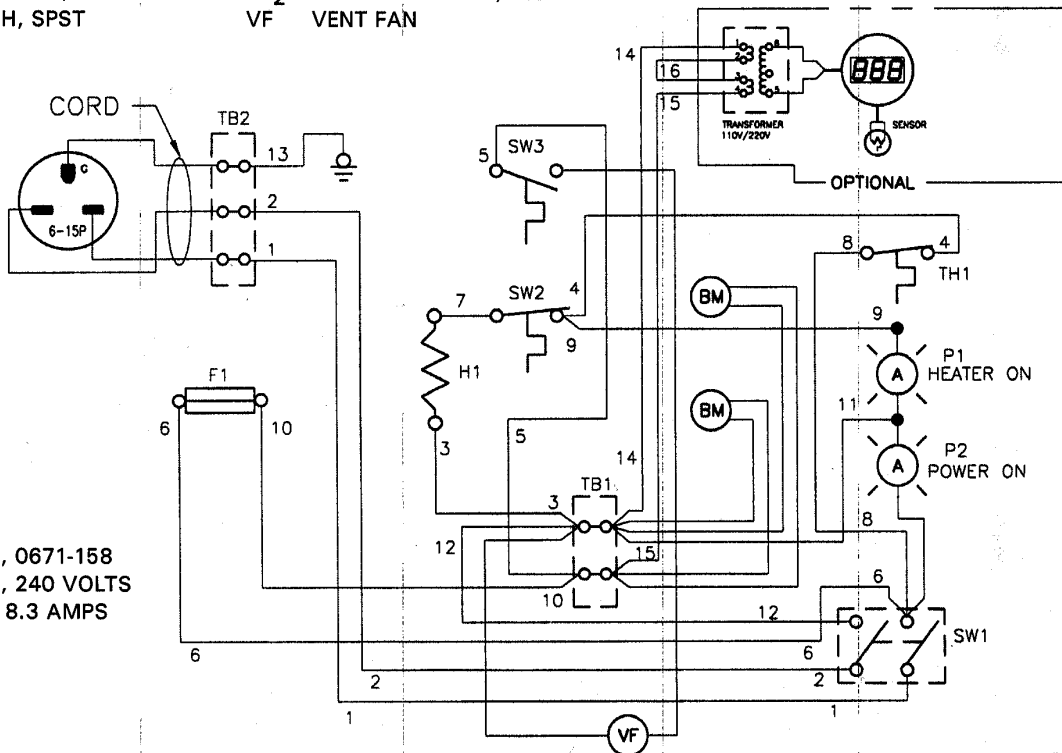
OPERATING and MAINTENANCE INSTRUCTIONS For H 149 Series Pass-thru Warming Cabinets



0671-044-G1, 0671-157
 2000 WATTS, 120 VOLTS
 1 PH, 60 HZ., 16.6 AMPS

LEGEND

- | | |
|---------------------------------------|---------------------------------------|
| F ₁ FUSE | SW ₂ SWITCH, HIGH LIMIT |
| BM MOTOR-BLOWER | SW ₃ SWITCH, VENT FAN |
| H ₁ HEATER | TH ₁ THERMOSTAT |
| P ₁ PILOT LIGHT, HEATER ON | TB ₁ TERMINAL BLOCK, Front |
| P ₂ PILOT LIGHT, POWER ON | TB ₂ TERMINAL BLOCK, Rear |
| SW ₁ SWITCH, SPST | VF VENT FAN |



0671-045-G1, 0671-158
 2000 WATTS, 240 VOLTS
 1 PH, 60 HZ, 8.3 AMPS