

Holding Cabinet	<b>FL-2331-LC</b>
Rev. 11 (4/14)	Page 1 of 9

**OPERATING and MAINTENANCE INSTRUCTIONS**  
**Models: H138NPS36CLCMQRL i7 Hot Cabinet**



Cabinet model number: \_\_\_\_\_

Cabinet serial number: \_\_\_\_\_

Authorized Service Agency: \_\_\_\_\_

Ph: \_\_\_\_\_ Fax: \_\_\_\_\_

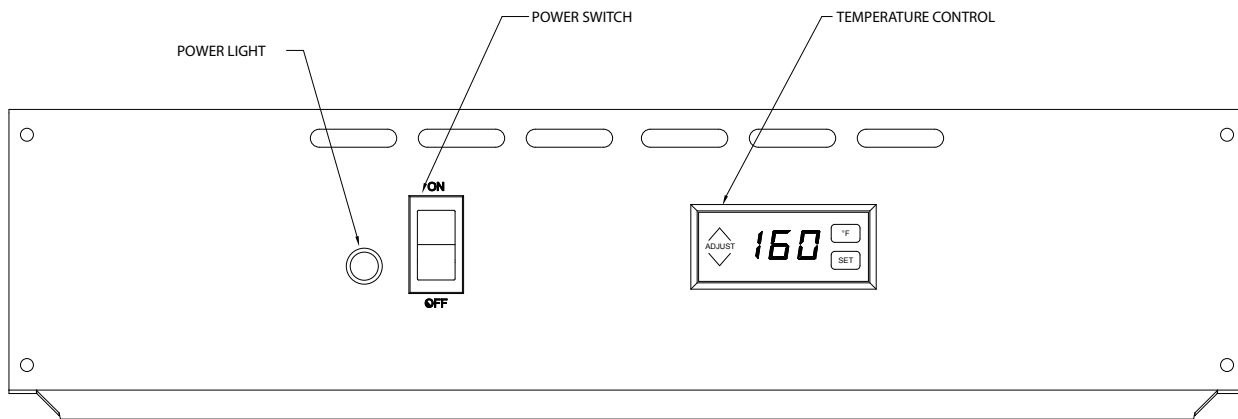
**Keep this manual for future reference.**

Holding Cabinet	<b>FL-2331-LC</b>
Rev. 11 (4/14)	Page 2 of 9

## INSTALLATION & OPERATION INSTRUCTIONS

### ELECTRICAL SPECIFICATIONS:

Model No.	Volts	Watts	Amps	Hertz	Phase	NEMA
H138NPS36CLCMQRL	120	2000	16.6	60	1	L5-20P



### INSTALLATION:

1. Remove all paper and packing material from inside of cabinet.
2. Remove protective paper and vinyl material from outside surfaces of cabinet.
3. Place the cabinet in a well-ventilated area.
4. Place cabinet on level floor.
5. Plug cord end into proper wall outlet.
6. See page 4 to reverse the door openings.

### FIRST TIME START-UP:

1. Push the POWER switch to “ON”, and run the unit for one hour.

**NOTE: DO NOT PUT FOOD INTO CABINET!**

This step is to burn off manufacturing oils and excess adhesive.

2. Let the cabinet cool and wipe inside clean with detergent and hot water before first use.

### HOW TO HOLD:

1. Push POWER switch to “ON.” POWER LIGHT will come on.
2. The control is preset to maintain an average temperature of 160°F. Displayed temperatures will change during loading and unloading of product.
3. Preheat cabinet for 45 minutes.
4. Put product into cabinet.

**NOTE:** Proper food holding temperature is 140°F/60°C or higher.

 **WARNING** Air is **VERY HOT** when door is opened.

 **WARNING**  
Blower inlet guard must be in place before operating cabinet.

## MAINTENANCE INSTRUCTIONS

### **WARNING**

**BEFORE** cleaning the cabinet:

1. **Unplug the cabinet from the wall.**
2. **Allow cabinet to cool.**

### **CAUTION**

1. Do **NOT** use abrasives (steel wool) or harsh chemicals (chlorine, bromine, iodine or ammonia).
2. Do **NOT** use a water sprayer (pressure sprayer) to clean the cabinet.

### **Cleaning hints:**


1. Wipe up spills as soon as possible.
2. Clean cabinet daily to avoid heavy dirt build-up.
3. Make a test spot with cleaner:
  - a) Follow manufacturer's directions on cleaner.
  - b) Do not mix cleaners.
  - c) Avoid drips and splashes.

### **HOW TO CLEAN THE UNIT:**

	Soil	Cleaner	Method
<b>CABINET</b> Inside and Outside (Stainless Steel)	DAILY CLEANING	Mild detergent and hot water.	1. Sponge on with cloth. 2. Rinse with water. 3. Wipe dry.
	STUBBORN SPOTS AND STAINS	Mild abrasive made for stainless steel.	1. Apply with damp sponge or cloth. 2. Rub lightly. 3. Rinse with water and wipe dry.
	BURNT-ON FOODS OR GREASE	Chemical oven cleaner for stainless steel.	Follow oven cleaner manufacturer's directions.
	HARD WATER SPOTS and SCALE	Vinegar	1. Swab or wipe with cloth. 2. Rinse and dry.


*\*Mild detergents include soaps and non-abrasive cleaners.*

**Note:** Gaskets are removable for cleaning.



## WARNING

RISK OF FIRE OR ELECTRIC SHOCK  
DO NOT OPEN



WARNING: TO REDUCE THE RISK OF FIRE OR ELECTRIC SHOCK,

DO NOT REMOVE COVER (OR BACK)

NO USER-SERVICEABLE PARTS INSIDE

REPAIR SHOULD BE DONE BY AUTHORIZED SERVICE PERSONNEL ONLY

Holding Cabinet	<b>FL-2331-LC</b>
Rev. 11 (4/14)	Page 4 of 9

## MAINTENANCE INSTRUCTIONS

### HOW TO REVERSE THE DOUBLE DOOR OPENING:

1. Open the door 180°, lift it up and off. Lay it down with the outside up.
2. Pop off the hinge covers with a regular screwdriver.
3. Unscrew the hinges and pull handle and remount them to the opposite sides of the door (make sure the hinge pin is down).
4. Remove the cabinet hinges with door stop brackets. Remove the screws plugging the mating hinge holes on the opposite side of the cabinet.
5. Lift out and turn the plastic cam in each cabinet hinge 180°. Use a screwdriver to pop them out, if necessary (see Figure 1). Mount the hinges and door stop brackets onto the opposite side of cabinet (see Figure 2).
6. Put the door back onto the cabinet and adjust/tighten the hinges as shown on page 6.



Figure 1  
Right Hand Hinge (as shipped)

### HOW TO REVERSE THE SINGLE DOOR OPENING:

1. Unscrew and remove the latch from the door and the magnetic strike from the cabinet.
2. Unscrew the hinges from the cabinet body and remove door.
3. Remove the screws plugging the mating hinge, latch and strike holes on the opposite sides of the cabinet body and door.
4. Remount the hinges to the opposite side of the cabinet and door.
5. Remount the latch and strike to the opposite side and adjust/tighten the latch as shown on page 5.



Note the position of curved dwell on the cam after turning it 180°

Figure 2  
Left Hand Hinge

## MAINTENANCE INSTRUCTIONS

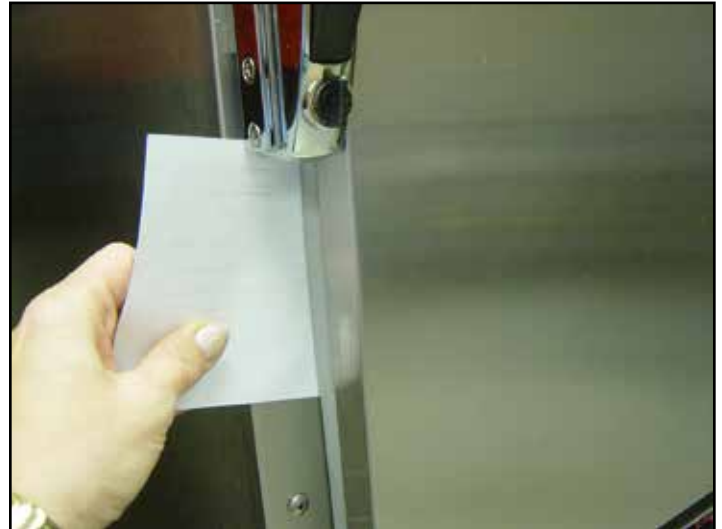
### DOOR ADJUSTMENT:

Door latches and hinges sometimes loosen and/or need adjustment after a period of time. Gaps between the door and the cabinet will cause heat loss.

Test the door to see if it closes properly:

- Close the door onto part of a piece of paper and try to pull it out.
- Do this on the edges on the latch side and then on the hinge side. If it pulls out without some resistance, the latch and/or hinges need to be adjusted.

**Loose Screws:** If the screws are loosening, use liquid thread lock (non-permanent) to keep them tight.



### How to adjust/tighten door latch:

#### Fig. 1. For vertical adjustment

(Up and down movement):

- Loosen two (2) screws located in magnetic strike on cabinet.
- Move strike up or down for alignment to magnet on latch.
- Tighten screws to secure.

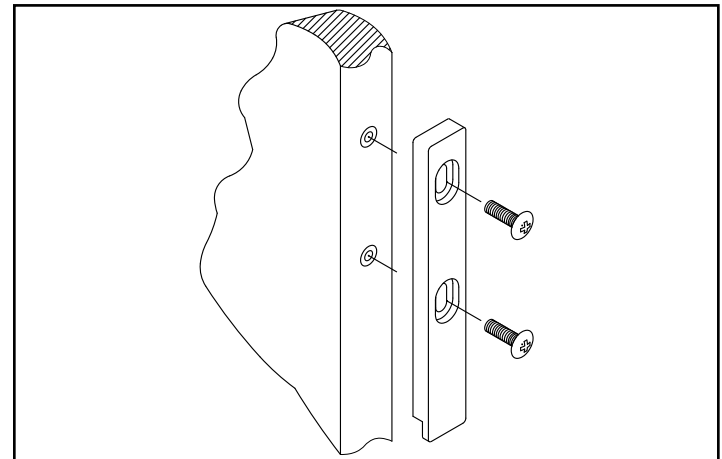


Figure 1 Strike

#### Fig 2. For horizontal adjustment

(Greater or lesser magnetic draw):

- Loosen four (4) screws in latch on door.
- Move latch forward or backward to adjust magnetic draw.
- Tighten screws to secure and then test the door.

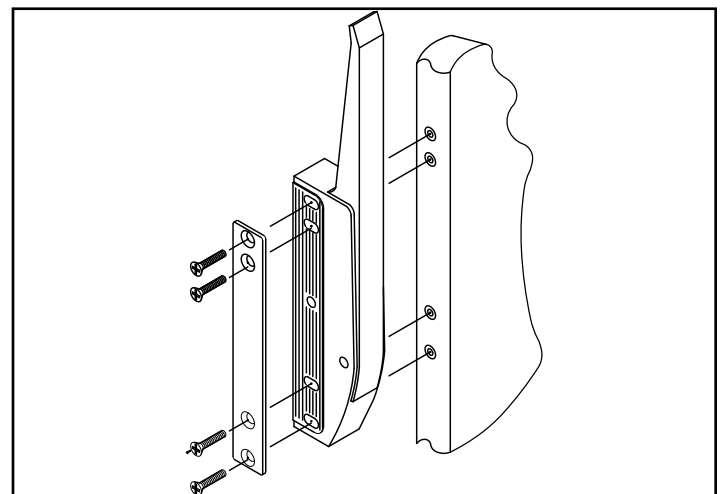


Figure 2 Latch

Holding Cabinet	<b>FL-2331-LC</b>
Rev. 11 (4/14)	Page 6 of 9

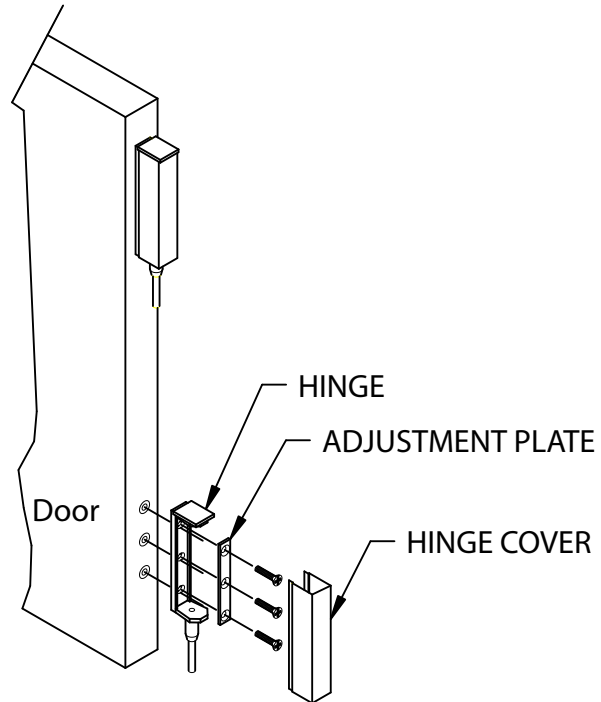
## MAINTENANCE INSTRUCTIONS TROUBLE-SHOOTING GUIDE

### How to adjust/tighten the double door hinges:

1. Open the door 180°, lift it up and off. Lay it down with the outside up.
2. Pop off hinge covers with a screwdriver.
3. Loosen the screws that hold hinges to the door. Those holes are slotted for adjustment.
  - a) Push the hinge back for the door to close easier; or
  - b) Pull the hinge forward to close the gap between the door and the cabinet.
4. Tighten the screws and then test the door.

### How to adjust /tighten the full door hinges:

1. Loosen the screws holding the hinge to the door.
2. Push or pull the hinge per instructions above.



### FAILURE

1. POWER LIGHT (*Yellow*) does NOT light.
2. Unit does not heat.
3. Unit gets too hot or won't shut off.
4. Blower does not work or makes noise.
5. GFCI device trips.

### POSSIBLE CAUSE

- 1a. Switch is "OFF".
- 1b. Cord unplugged from wall outlet.
- 1c. Circuit breaker/fuse to wall outlet tripped/blown.
- 2a. Temperature control is set too low.
- 2b. Switch is "OFF".
- 3a. Defective electrical parts.

### UNPLUG UNIT FROM WALL OUTLET.

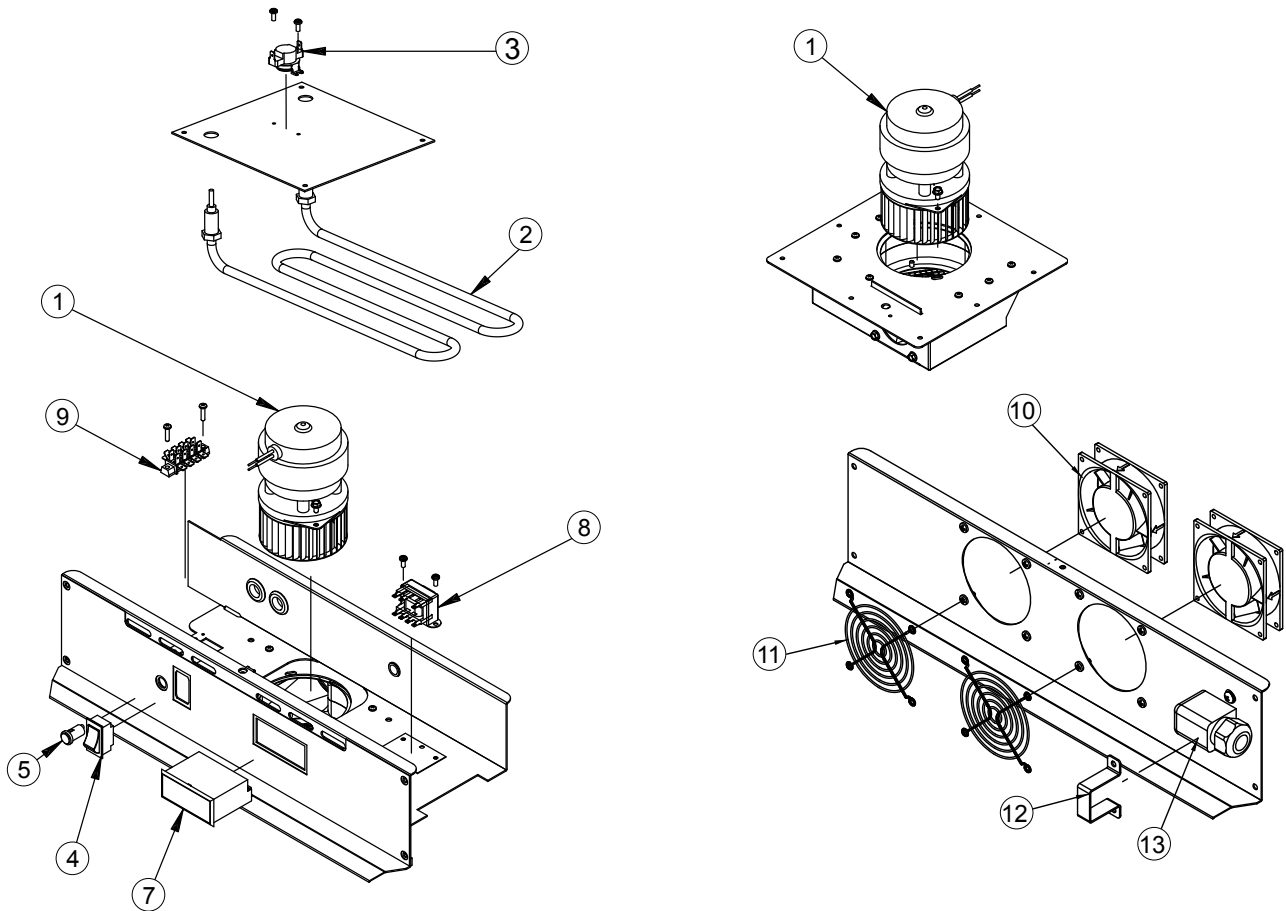
- 4a. Defective blower.
- 5a. The insulation inside the heating element may have absorbed some moisture. This may have occurred if the cabinet has not been used for a long period of time or during shipping and storage of the cabinet. Plug the cabinet into a non-GFCI outlet and set the temperature control to its maximum. Let the cabinet run for about 1 hour to dry out the heating element from any moisture may have been absorbed. If the circuit breaker trips, call the factory Authorized service agent. After drying the heating element, plug cabinet into the GFCI receptacle; the cabinet should run properly. If the GFCI device continues to trip, call the factory Authorized service agent.

GFCI (ground-fault circuit interrupter): A GFCI receptacle is a device that de-energizes a circuit when it detects an unsafe flow of current to ground. The intention of a GFCI device is to minimize the potential for an electrical shock.

*If cause is none of the above, refer to our list of Authorized Service Centers, FL-1400*

## REPLACEMENT PARTS

*Include all information on nameplate when ordering parts*



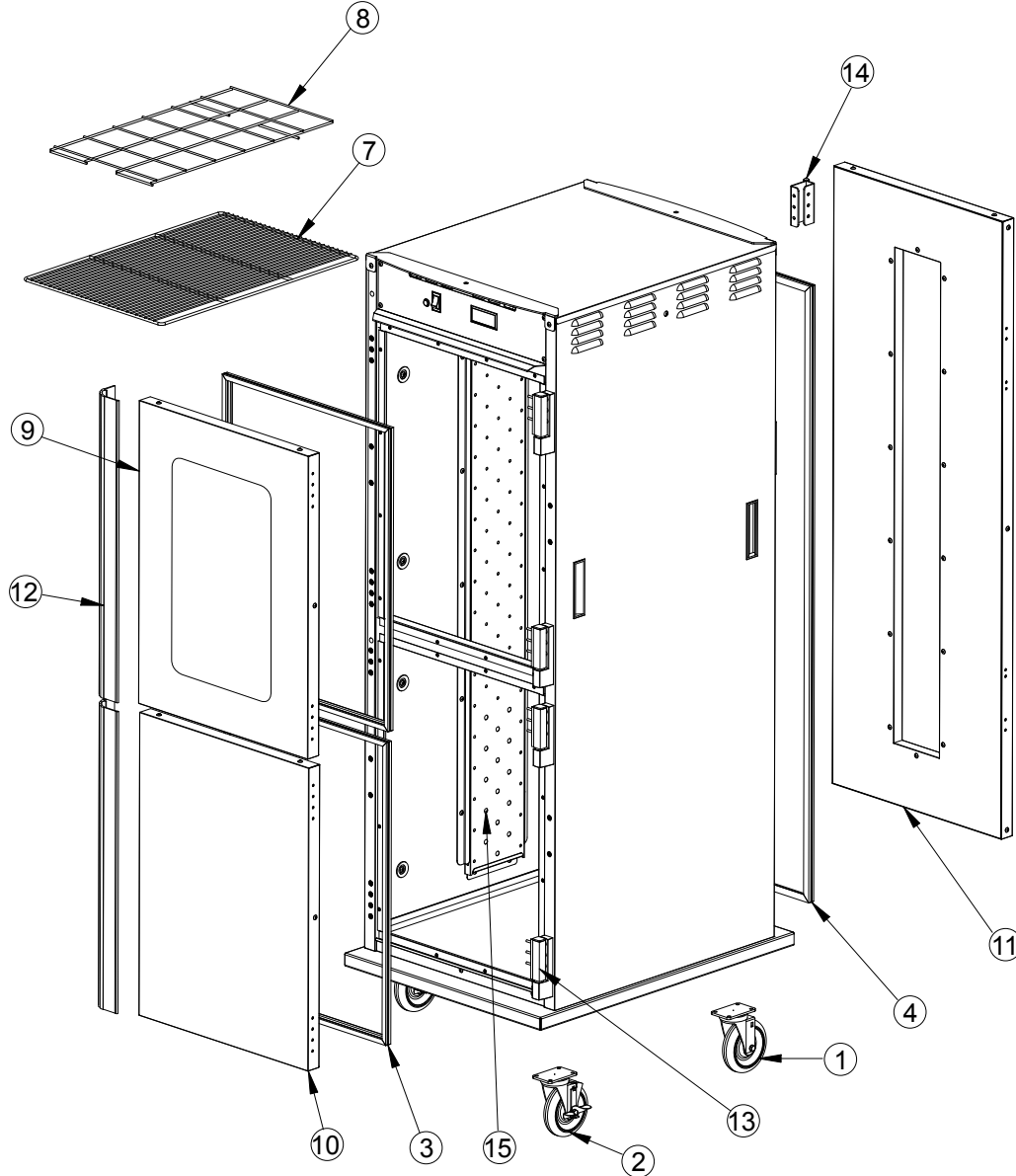
**ITEM DESCRIPTION**

1	Blower Kit		<b>120V</b> 0769-180-01-ALK
2	Heater Kit, Air	1850 Watt	0811-022-K
3	High Limit		0848-060
4	Power Switch		0808-116-K
5	Power Light		0766-094
	Relay - Solid State (not shown)		0857-134
7	Temperature controller		0848-075-LC
8	Transformer ( <i>used with Temp controller</i> )		0769-159
9	Terminal Block (4 pole)		0852-093
	Terminal Block (2 pole)		0852-091
10	Vent Fan		0769-165
	Power Cord (not shown)	20 Amp	0810-065-14-LK
11	Fan Guard		0769-167
12	Cord Bracket		0553-757
13	Strain Relief 90°		0818-095

Holding Cabinet	<b>FL-2331-LC</b>
Rev. 11 (4/14)	Page 8 of 9

## REPLACEMENT PARTS

*Include all information on nameplate when ordering parts*



### CABINET REPLACEMENT PARTS:

Item	Description	Part No.	Item	Description	Part No.
1	Caster	<a href="#">0569-306-K</a>	9	Door, front, window	<a href="#">1221-610-LCK</a>
2	Caster with brake	<a href="#">0569-306-BK</a>	10	Door, front, solid	<a href="#">1221-534-LCK</a>
3	Gasket, front doors	<a href="#">0861-245-K</a>	11	Door, back, window	<a href="#">1221-629-LCK</a>
4	Gasket, back door	<a href="#">0861-246-K</a>	12	Handle, door	<a href="#">0911-115-LCK</a>
	Wire shelf	<a href="#">1170-005</a>	13	Hinge Kit, lift off, set of 2	<a href="#">0519-114-LCK</a>
	Rack insert (Set of 2)	<a href="#">1170-213-LCK</a>	14	Hinge, butt type	<a href="#">0519-089-K</a>
8	Wire blower inlet guard	<a href="#">1170-211</a>	15	Air tunnel	<a href="#">0546-120</a>

Holding Cabinet	<b>FL-2331-LC</b>
Rev. 11 (4/14)	Page 9 of 9

### WIRING DIAGRAM

